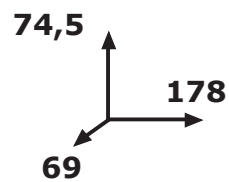
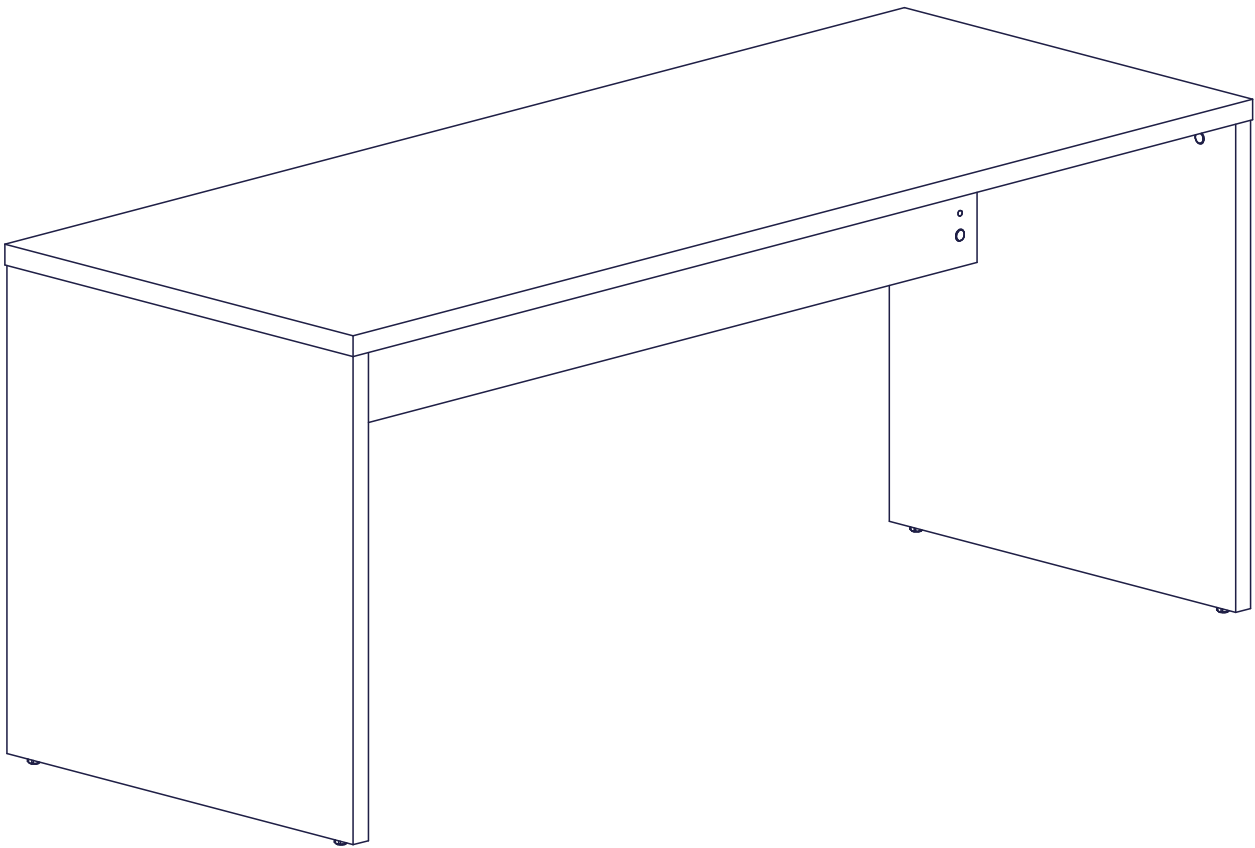
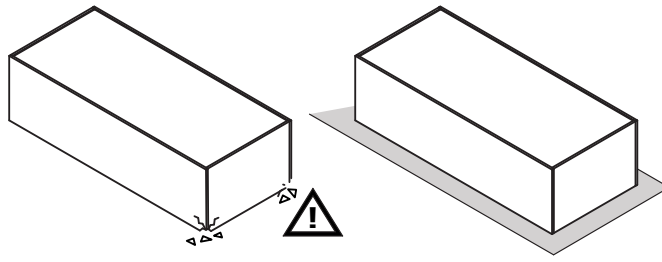
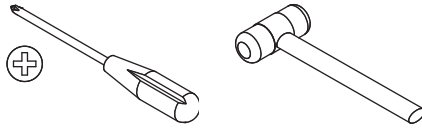
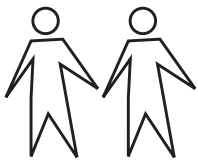


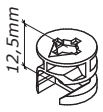
# SR5140K51104



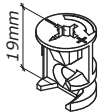
QF3632



**BU2997**



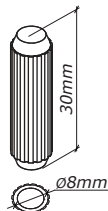
**T7**  
x4



**T97**  
x6



**T28**  
x10



**H1**  
x10



**G144**  
x4



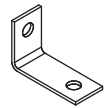
**G145**  
x4



**G142**  
x10



**V10**  
x6



**H141**  
x3



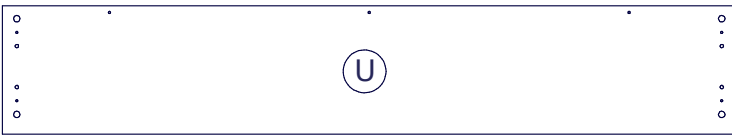
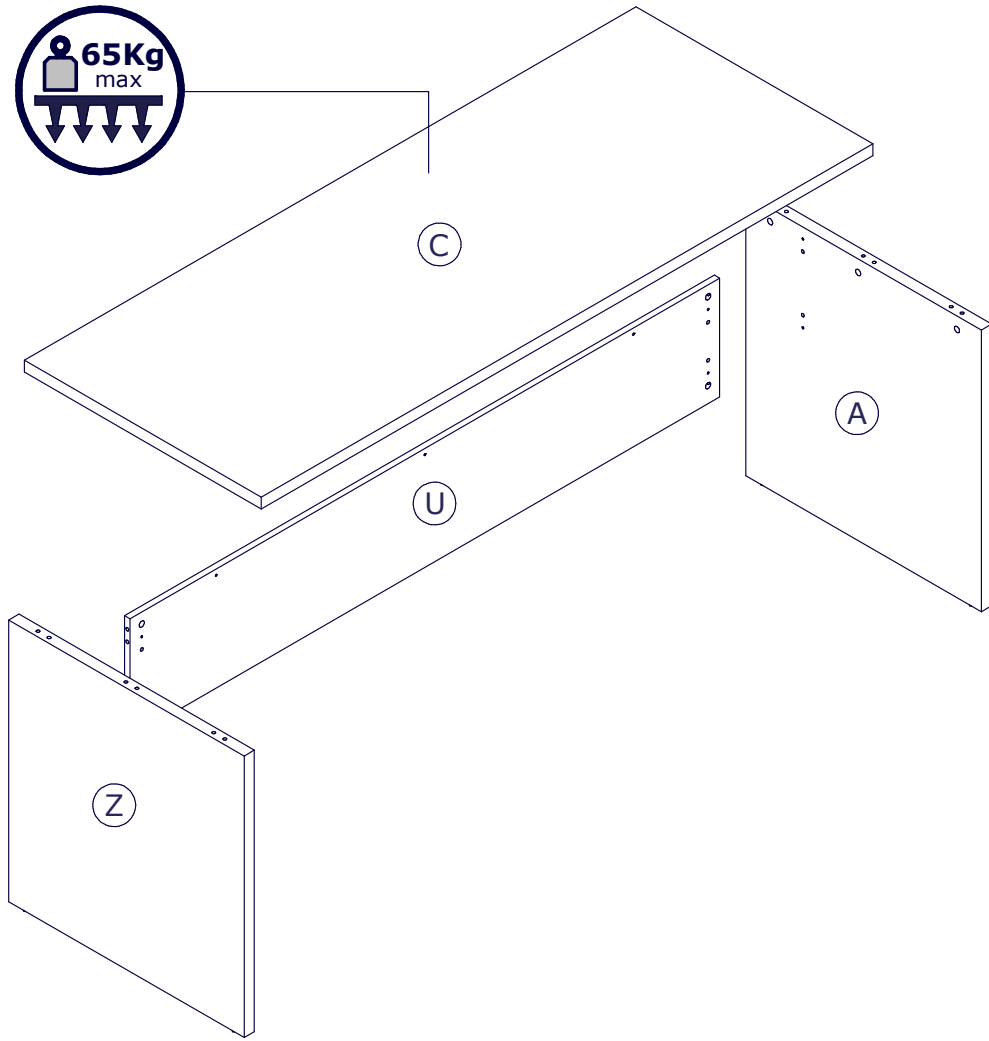
**P39**  
x4



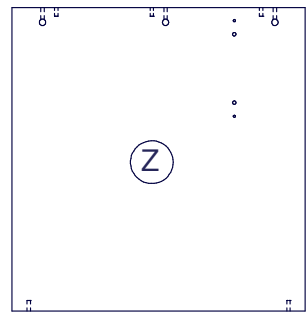
**T102**  
x4



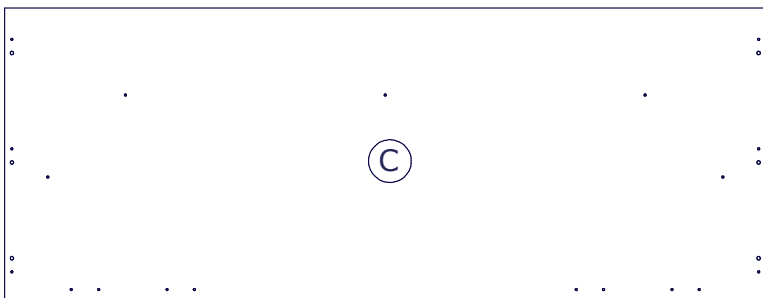
**H218**  
x1



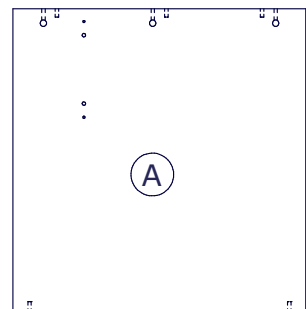
• **FS2327**  
1718x300x16mm



• **FI6939**  
710x686x30mm

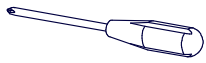


• **CA2826**  
1782x690x30mm

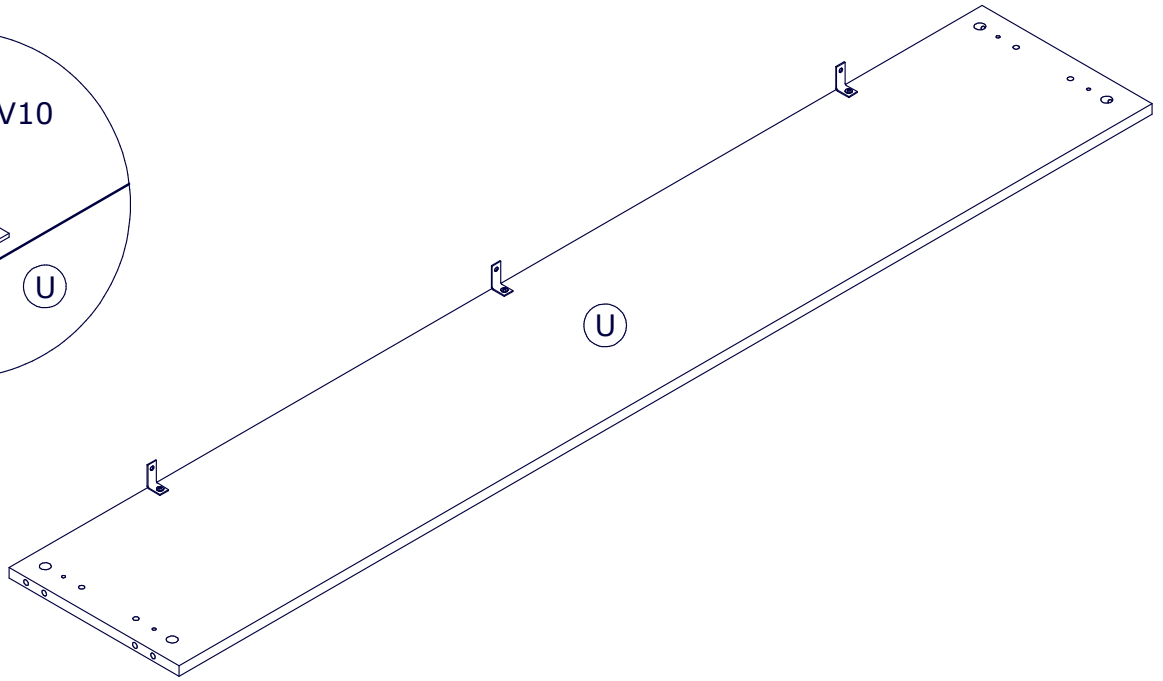
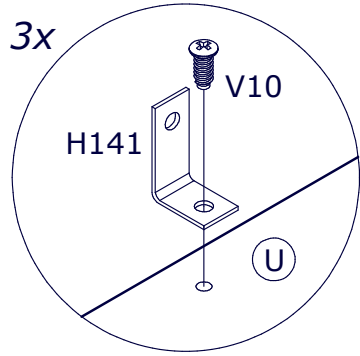


• **FI6938**  
710x686x30mm

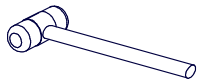
1



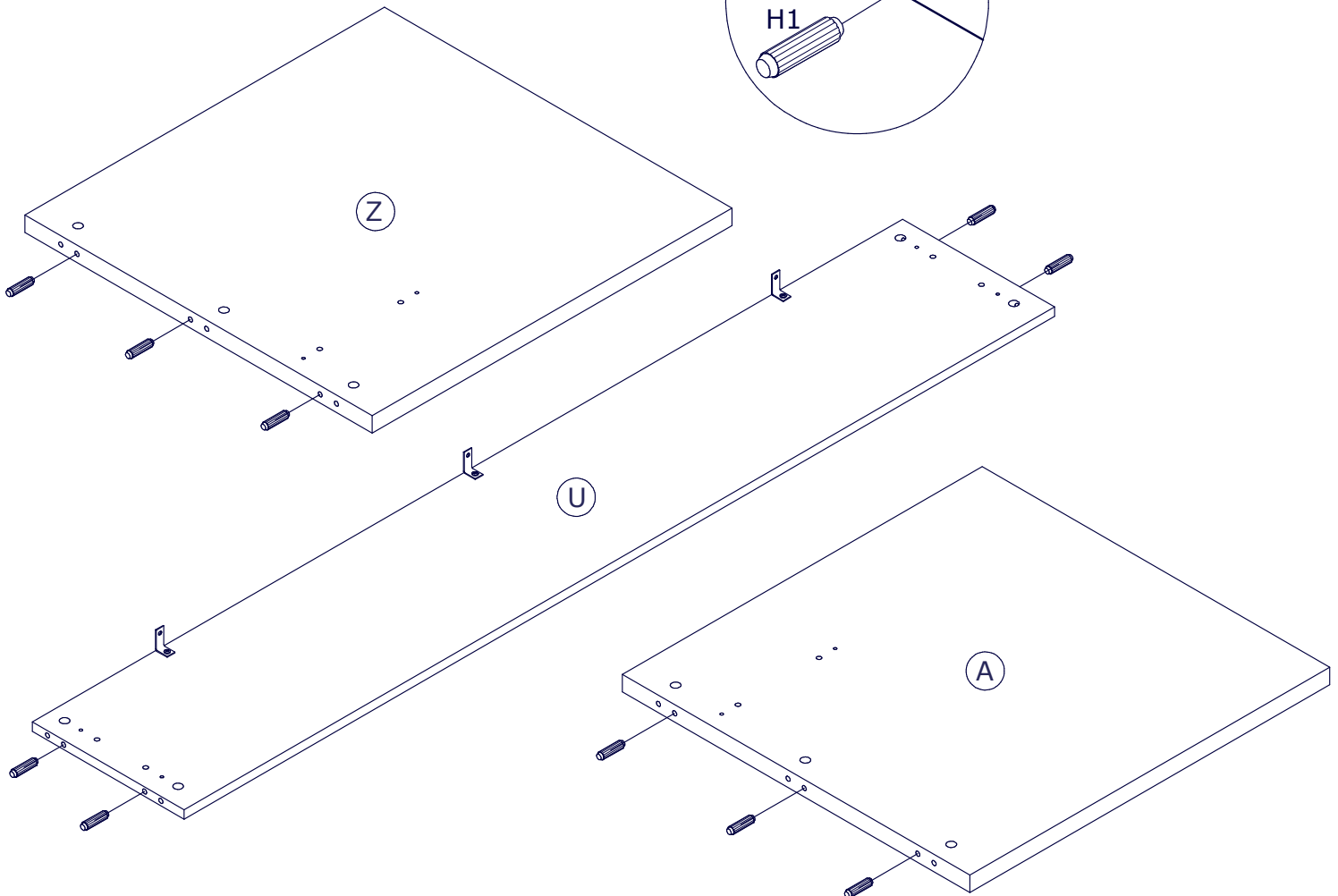
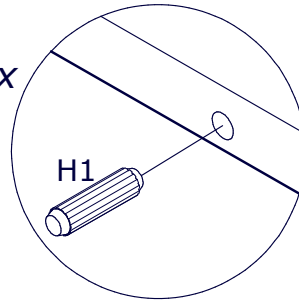
3x



2



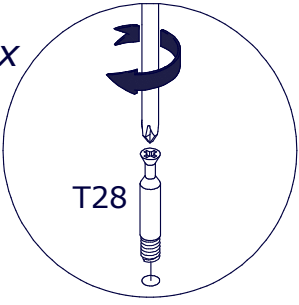
10x



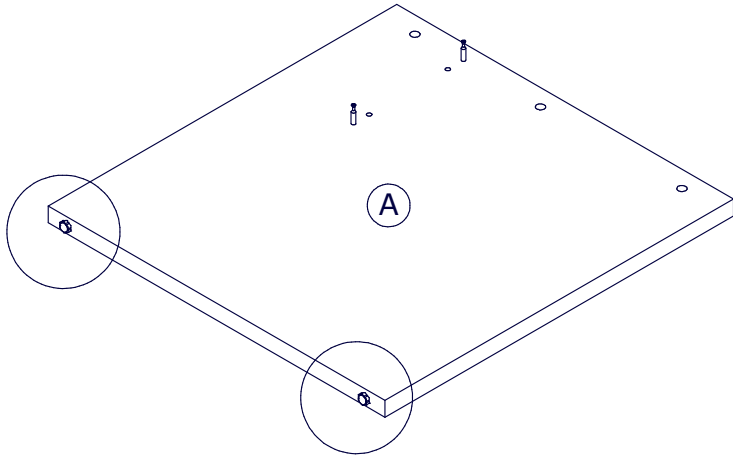
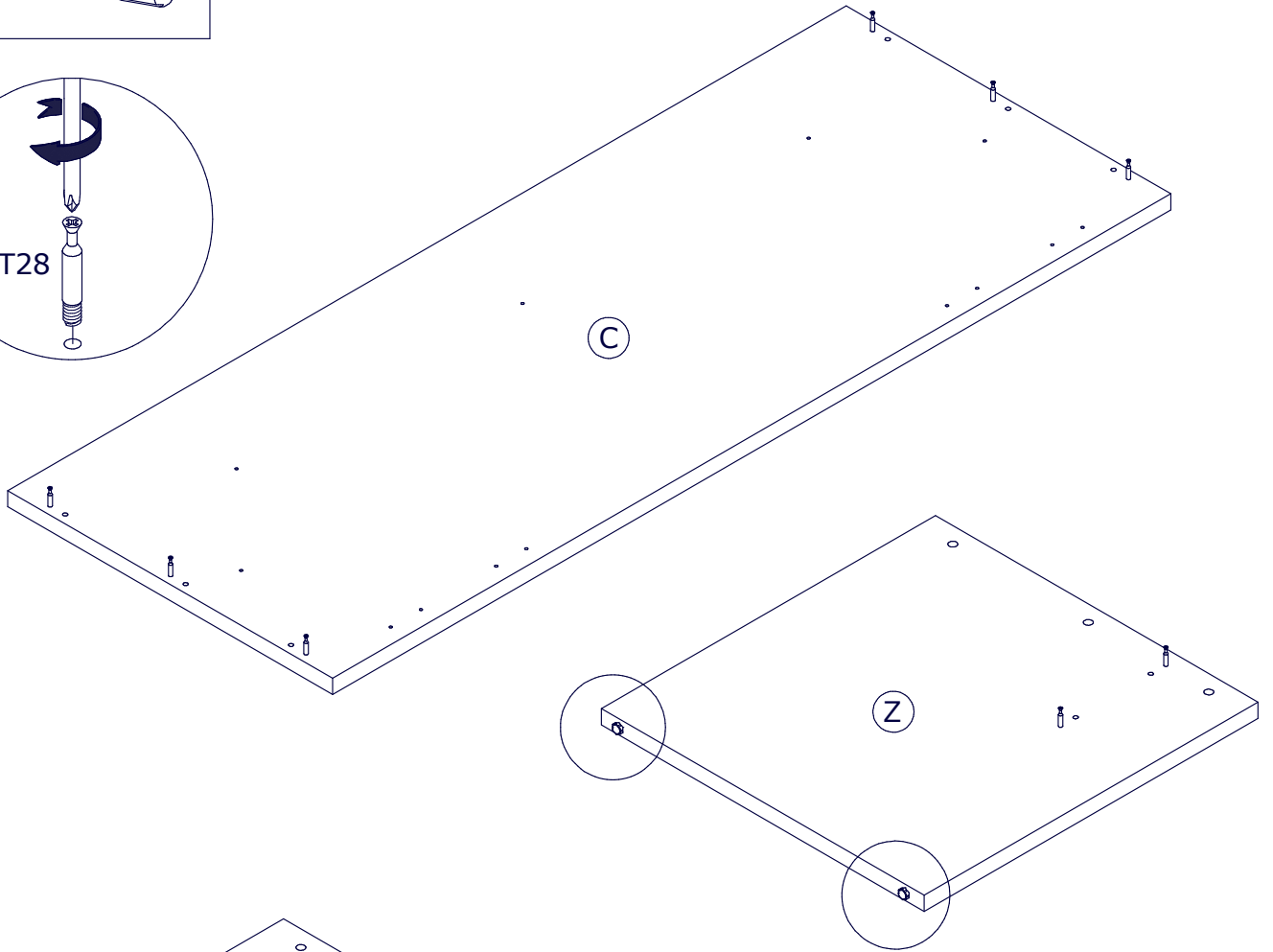
3



10x

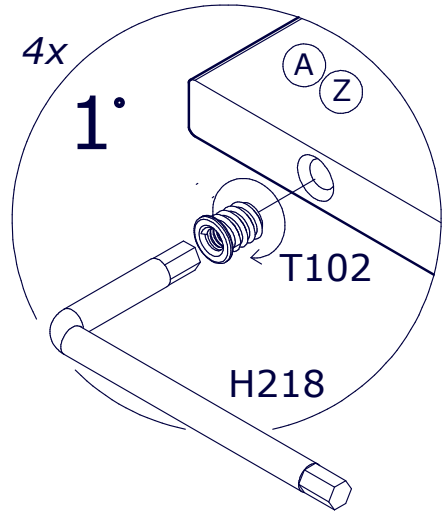


T28



4x

1°

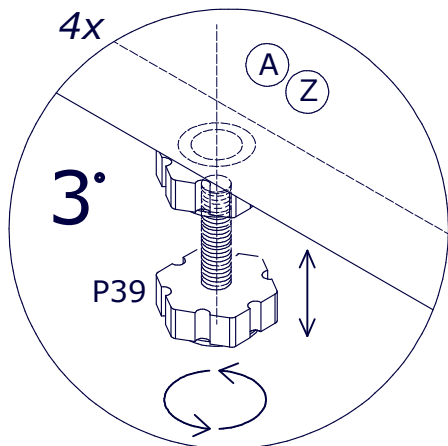


T102

H218

4x

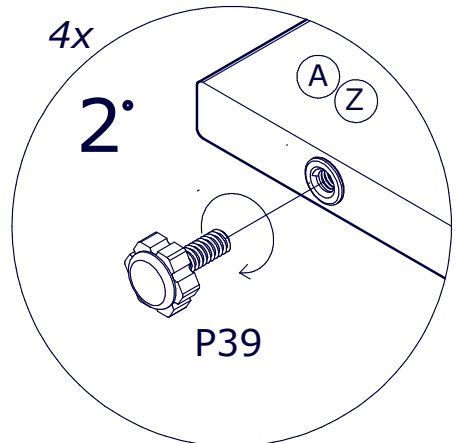
3°



P39

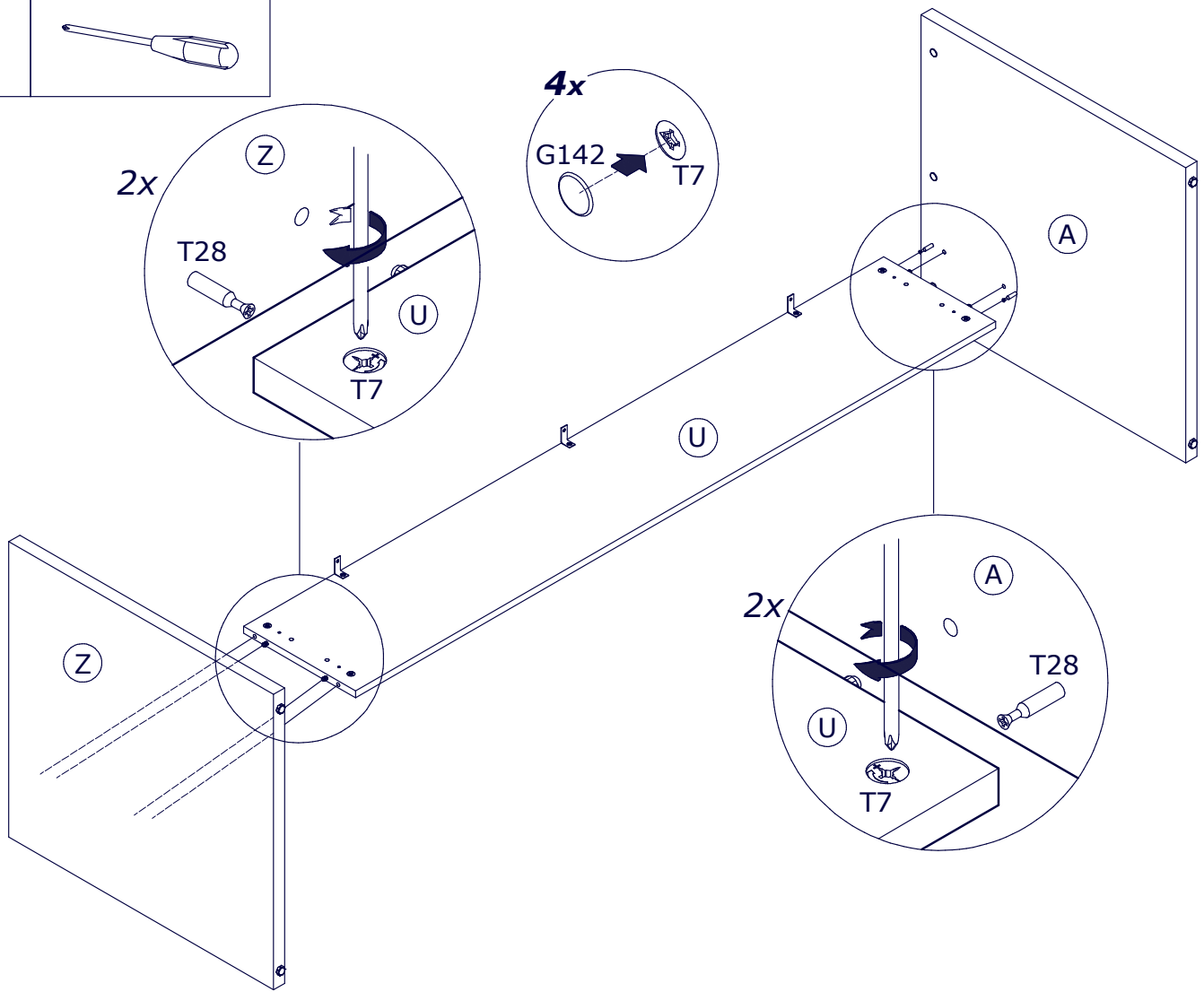
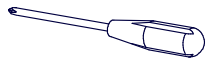
4x

2°

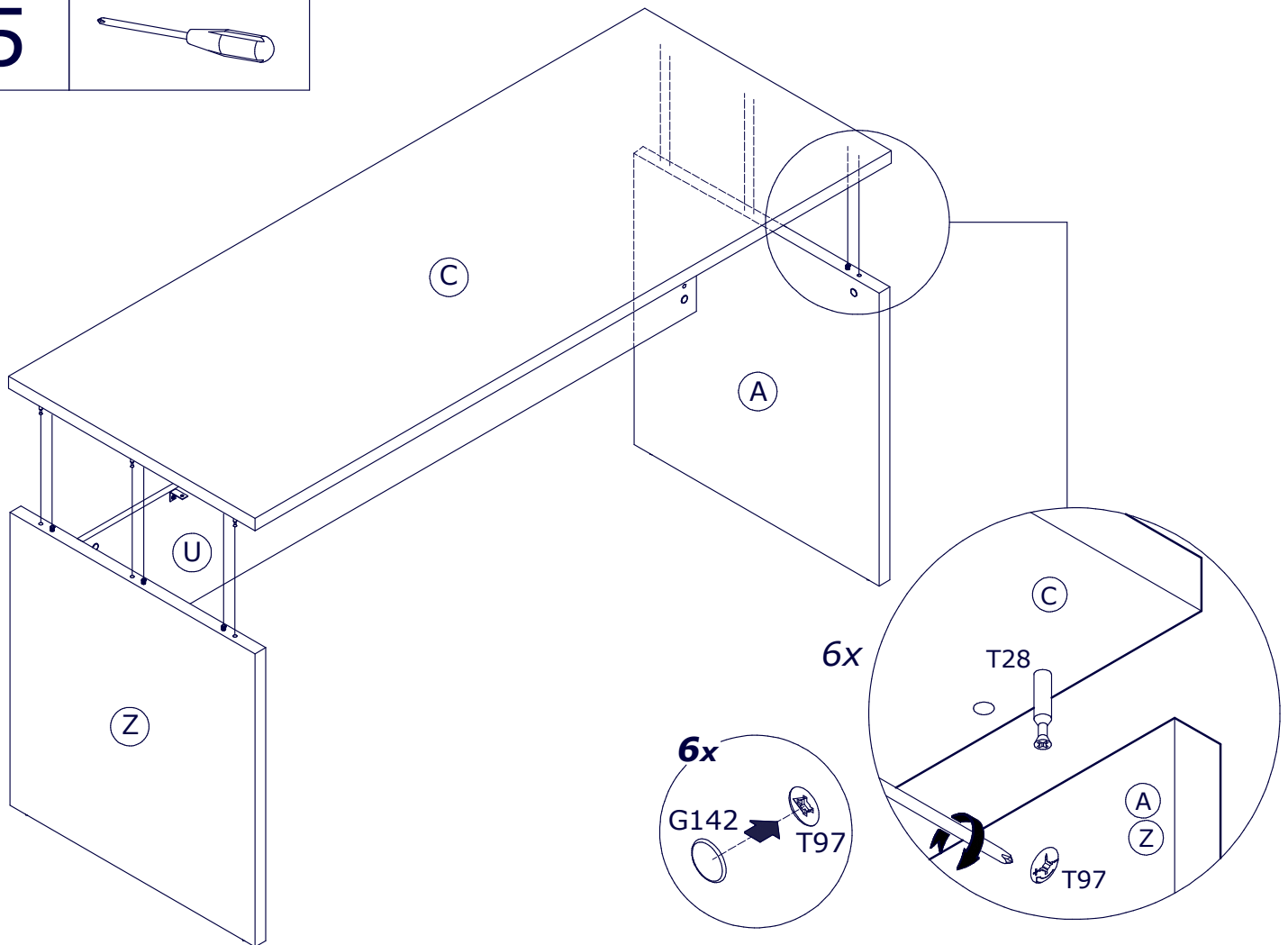
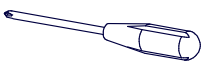


P39

4



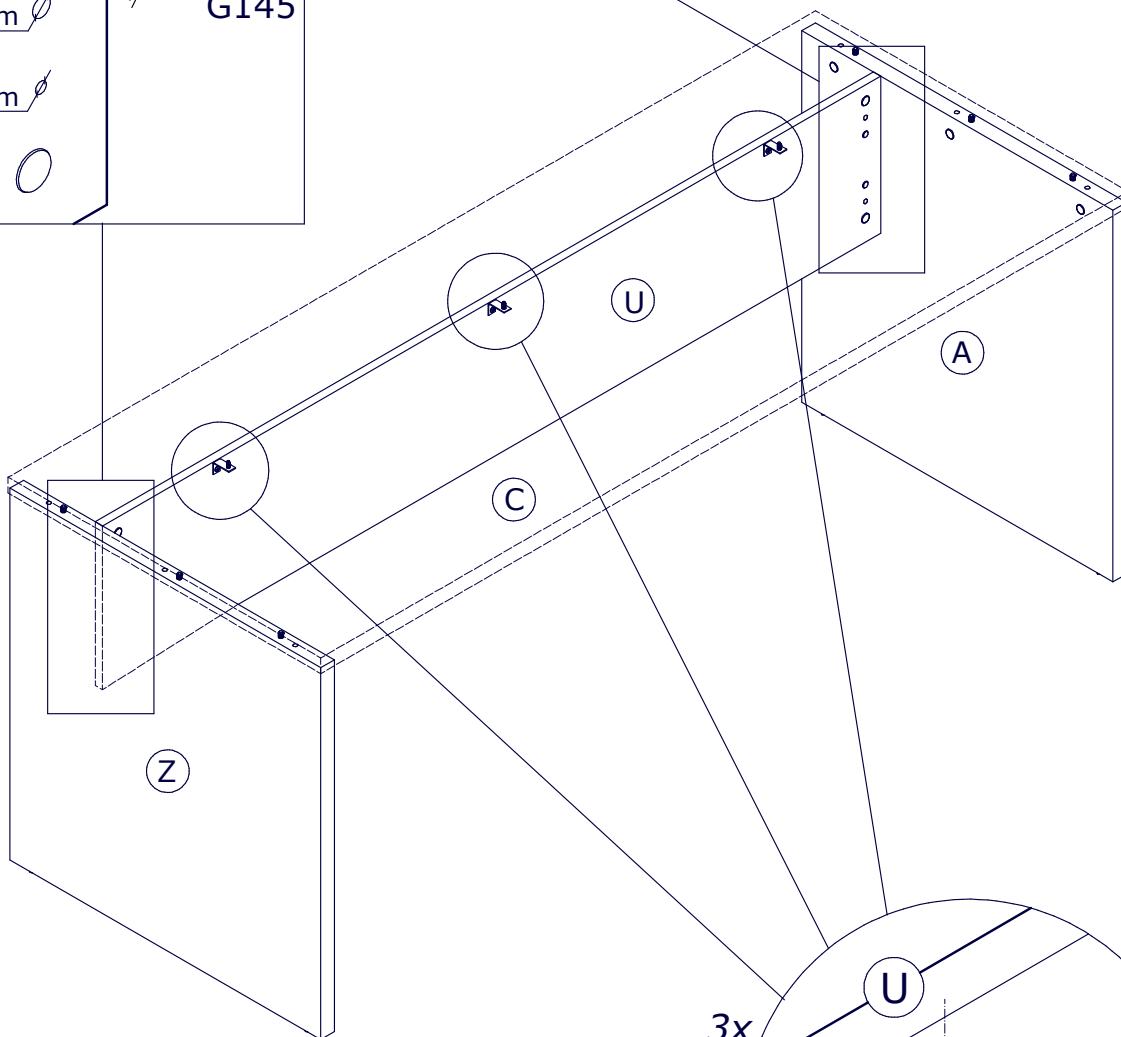
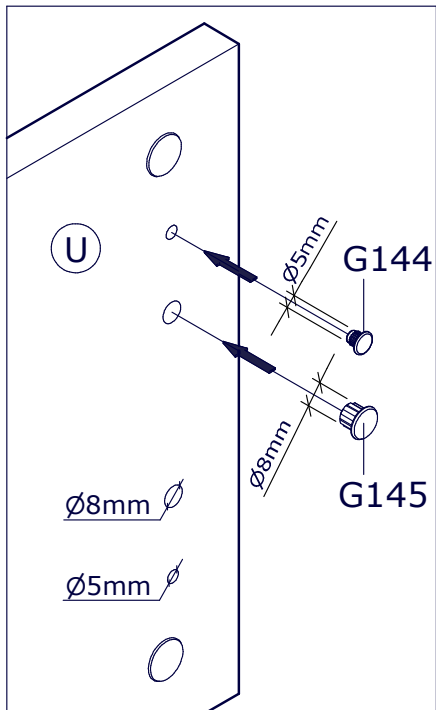
5



6



2x



3x

