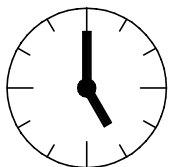
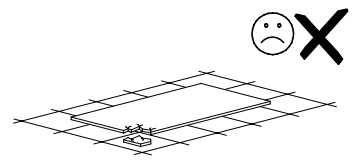
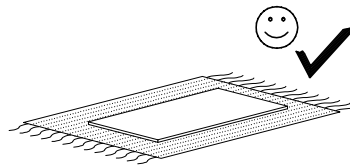
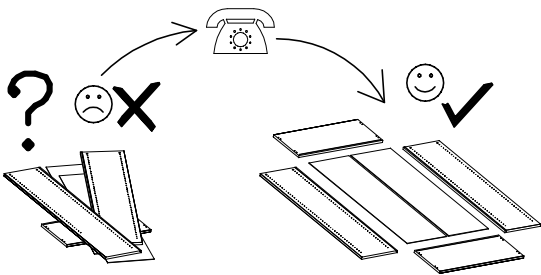
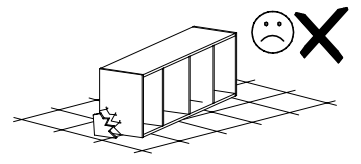
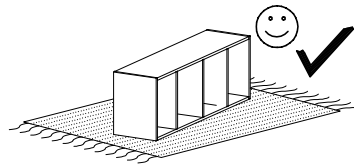
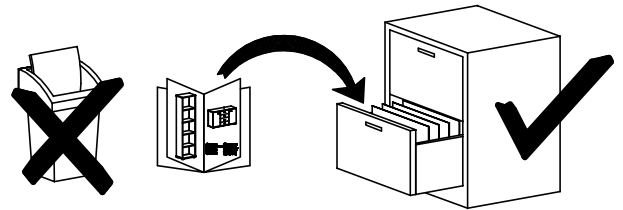
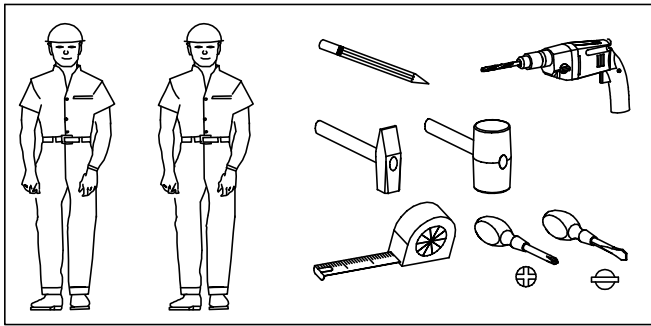
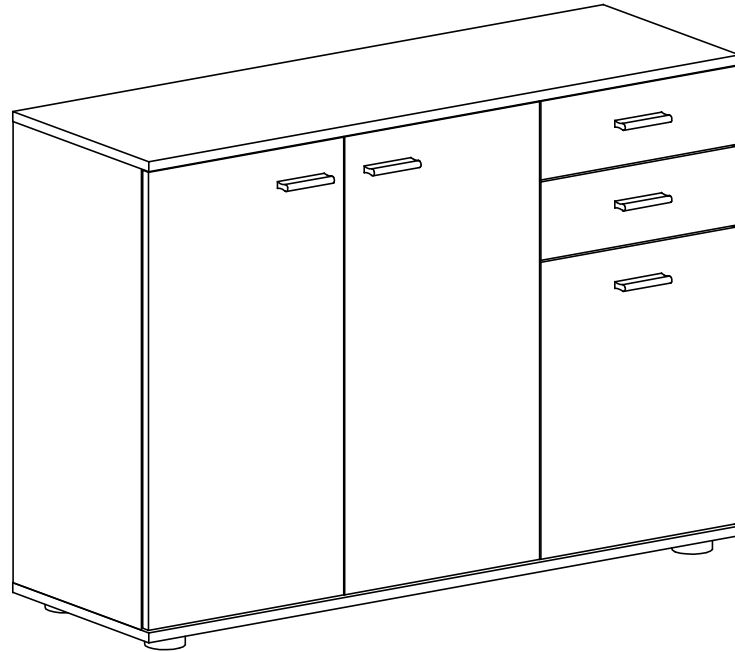
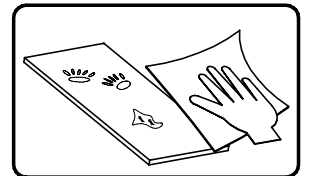
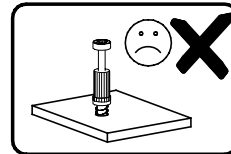
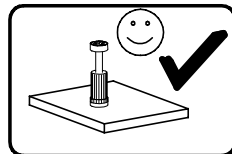
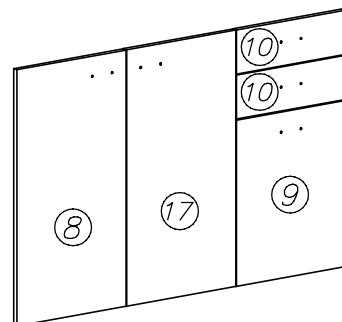
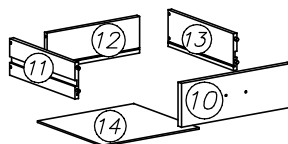
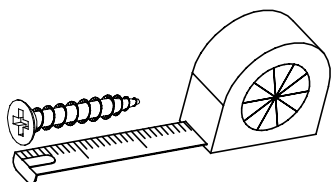
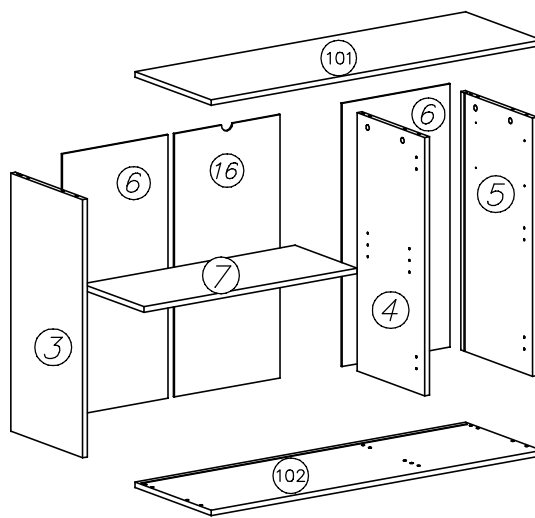
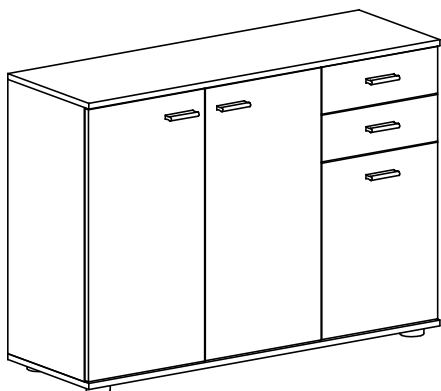
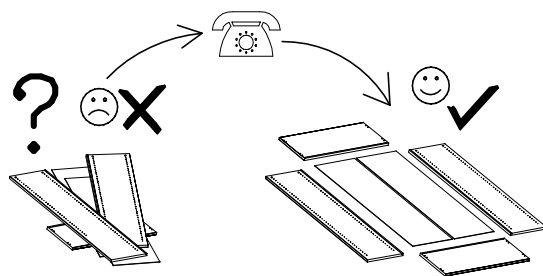
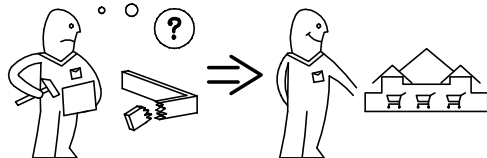
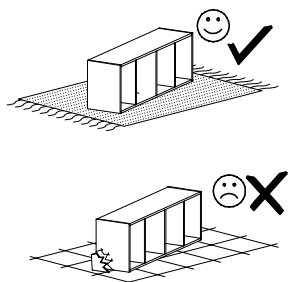


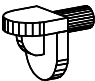
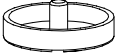
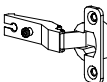
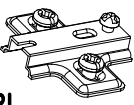
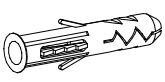


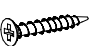

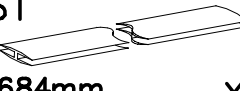

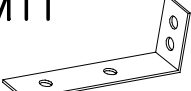
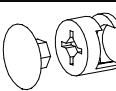
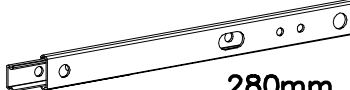

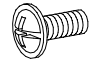

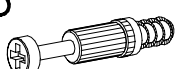
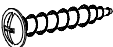
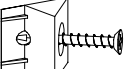
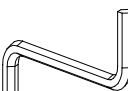
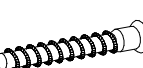

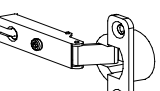
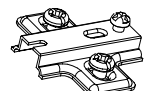

OSLO 03

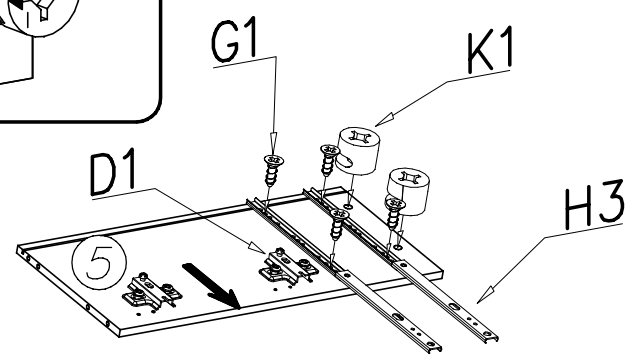
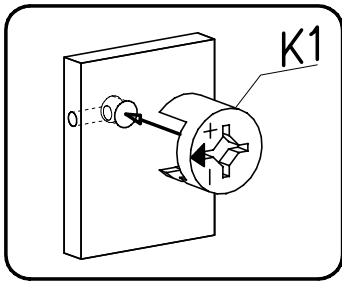
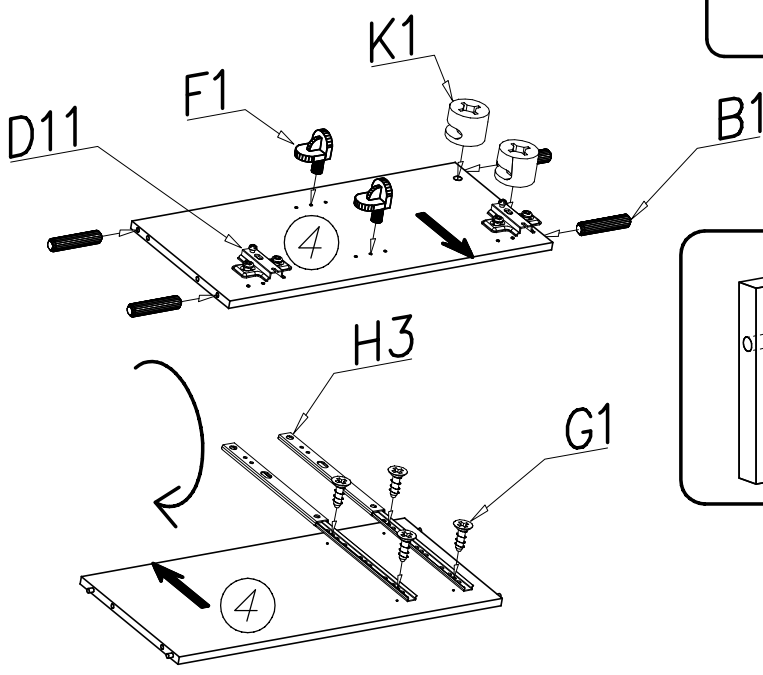
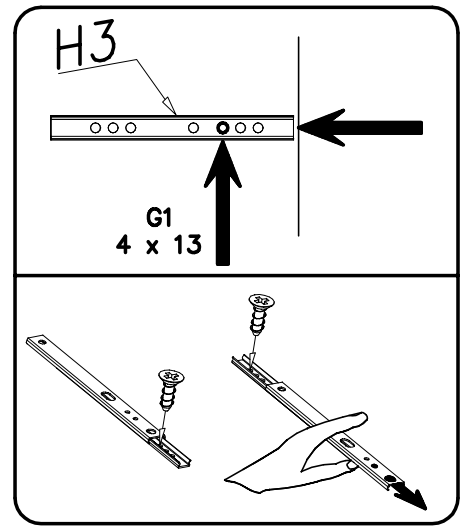
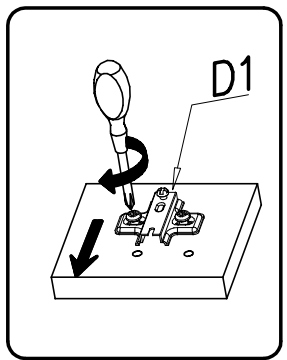
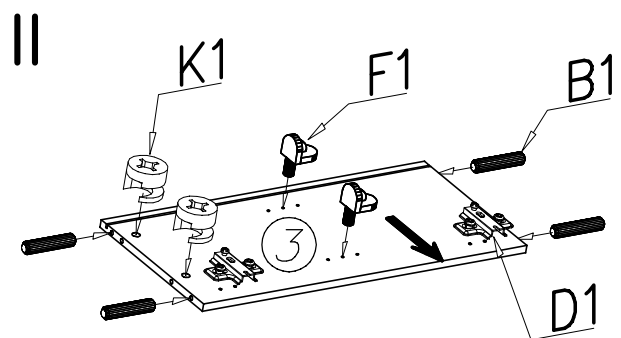
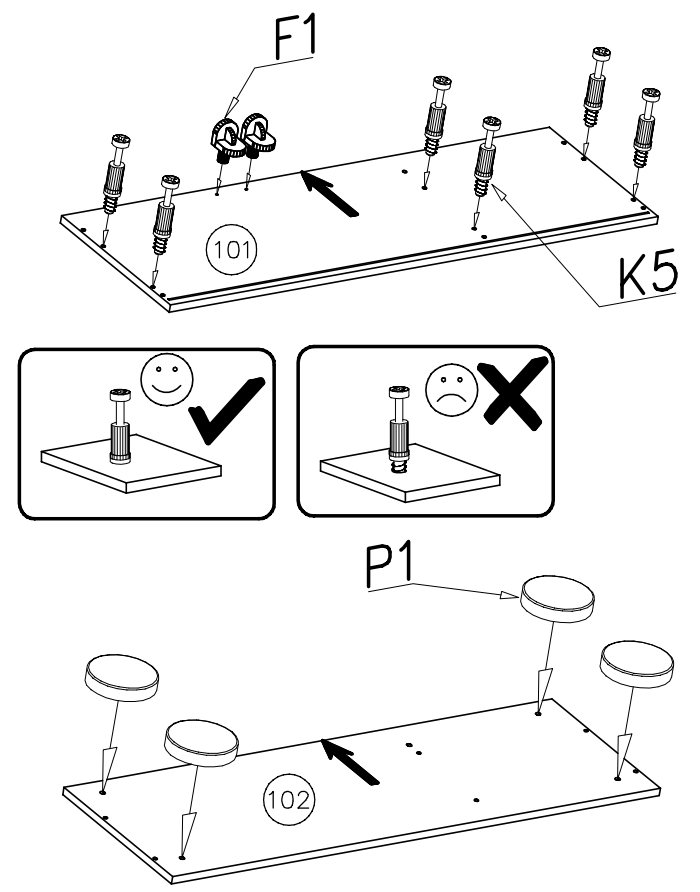
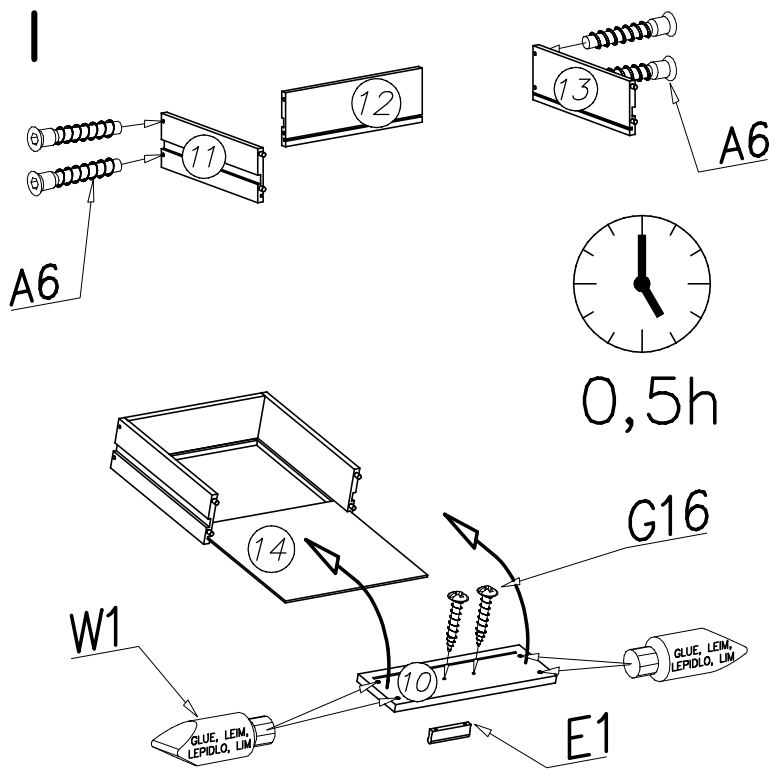
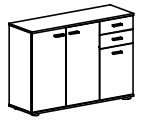


1,5h



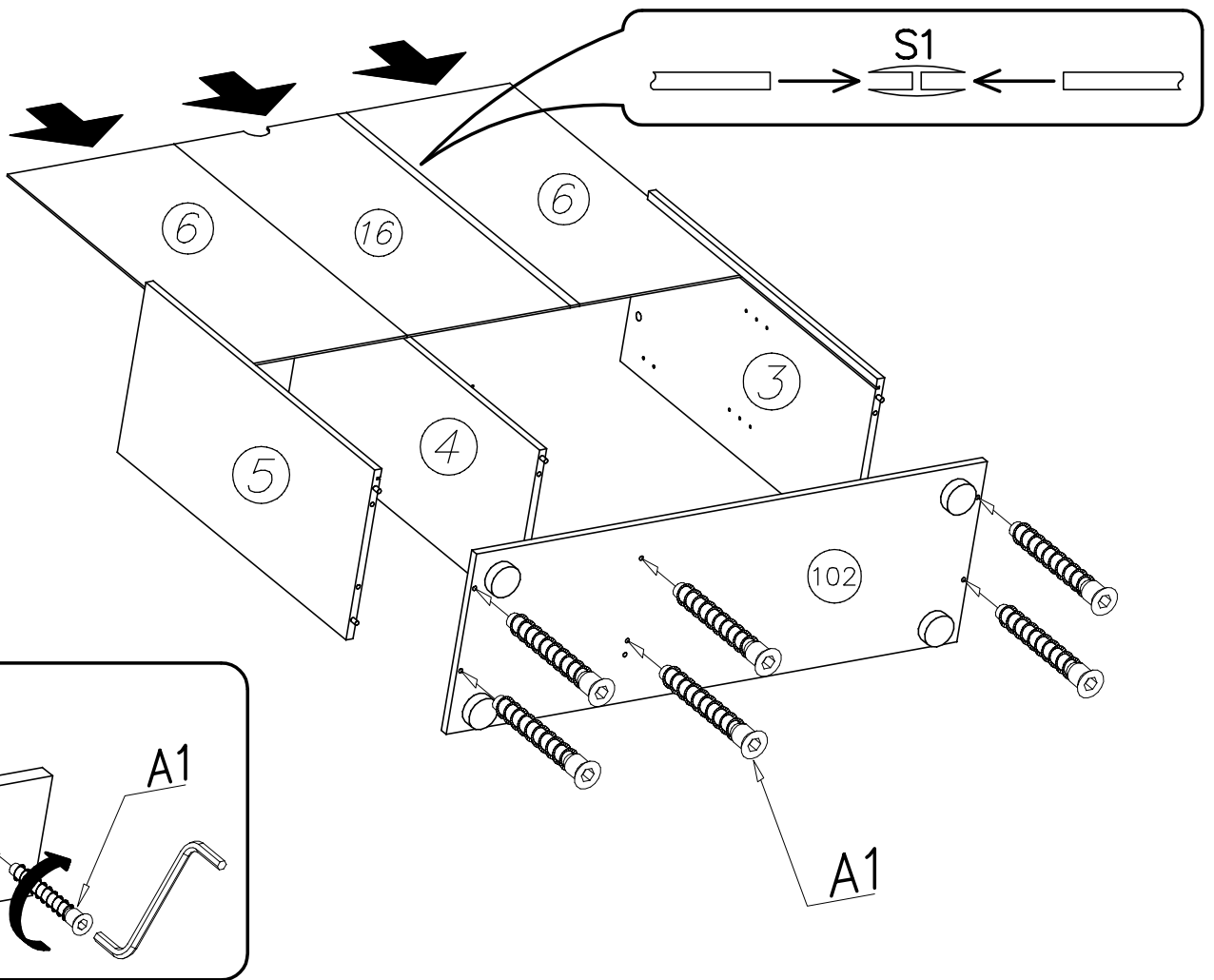


F1  x...(6)	P1  x...(5)			
C11  Z26PL x...(2)	D11  PZ26PL x2	U6  ø8 x 40 x1	G4  4 x 16 x2	A6  ø7x40 x8
G2  3 x 20 x...(8)	S2  x8	S1  684mm x1	G28  4 x 60 x1	M11  x1
K1  ø15 x 12 x6	H3  280mm x4	W1  GLUE, LEIM, LEPIDLO, LIM x1	N1  M4 x 9 x4	
G1  4 x 13 x20	K5  x6	G8  4 x 30 x10	I1  x10	W2  4mm x1
A1  ø7 x 50 x6	B1  ø8 x 35 x12	C1  Z26PR x4	D1  PZ26PR x4	E1  128mm x5

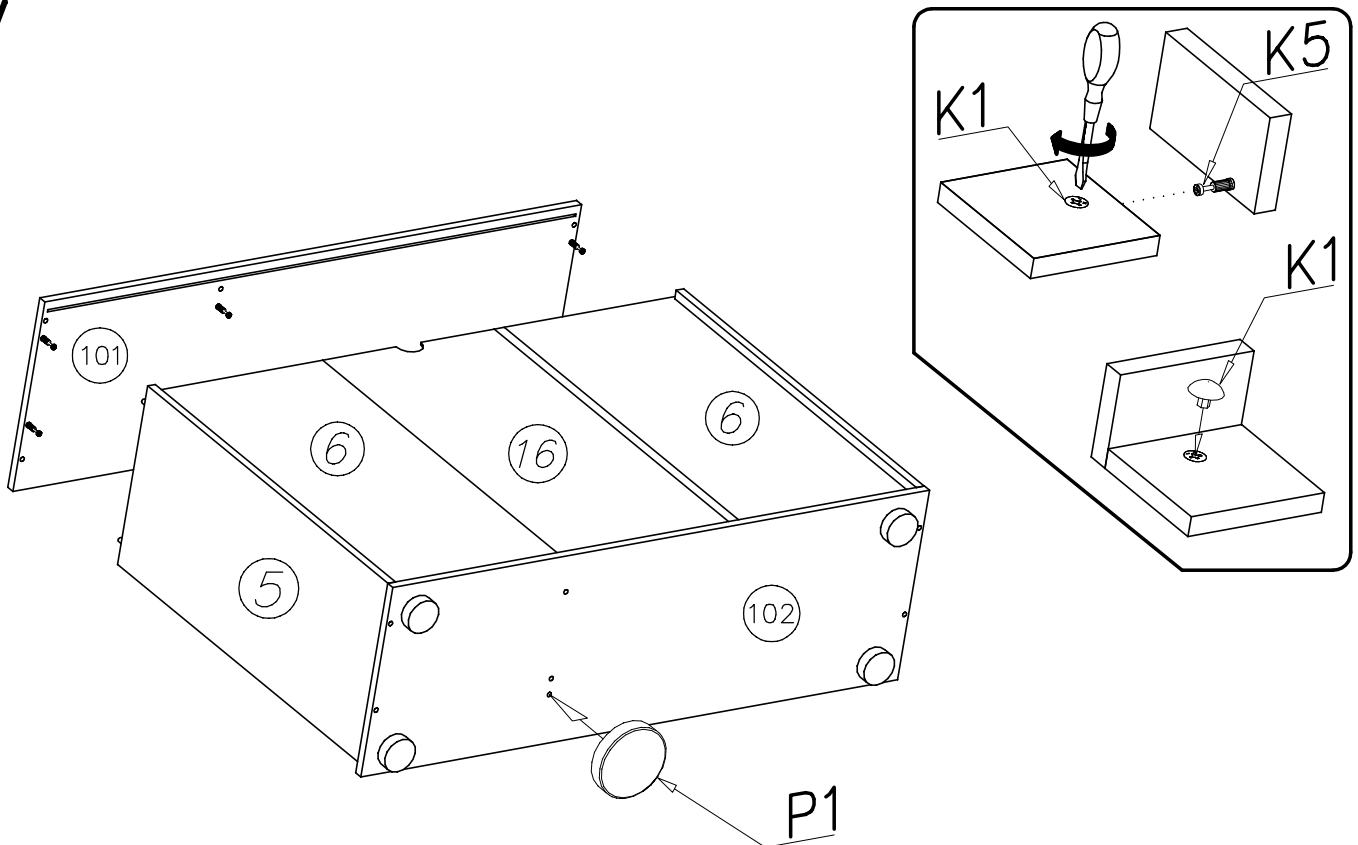


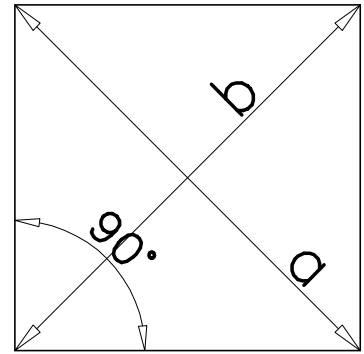
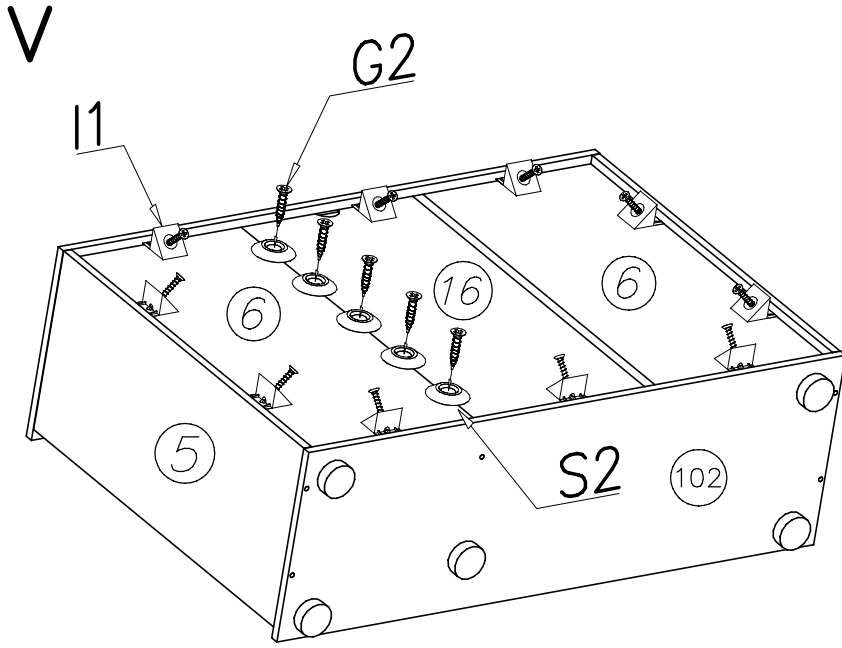


III

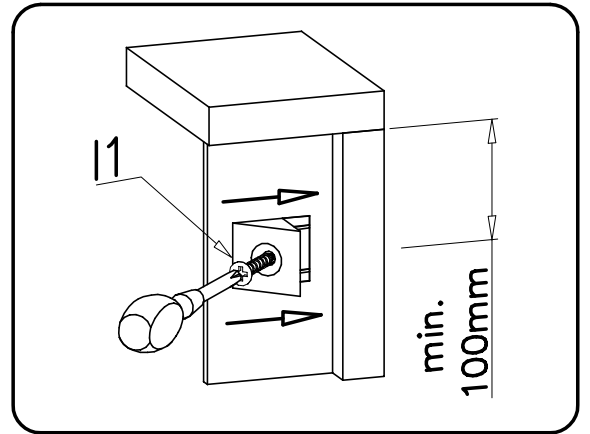


IV

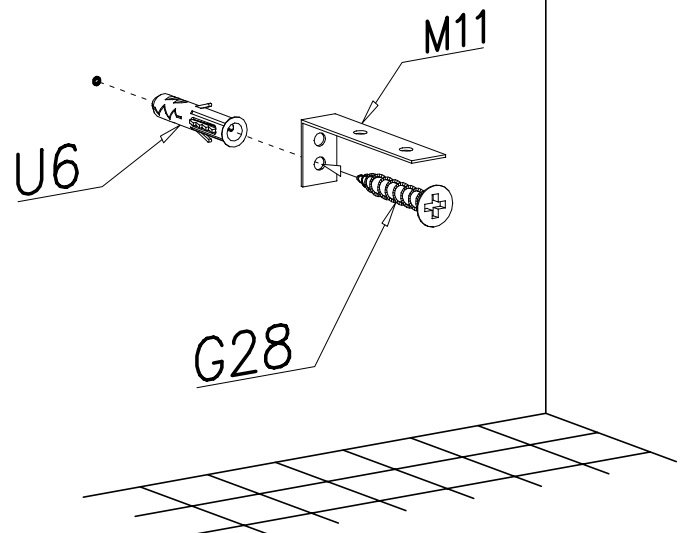
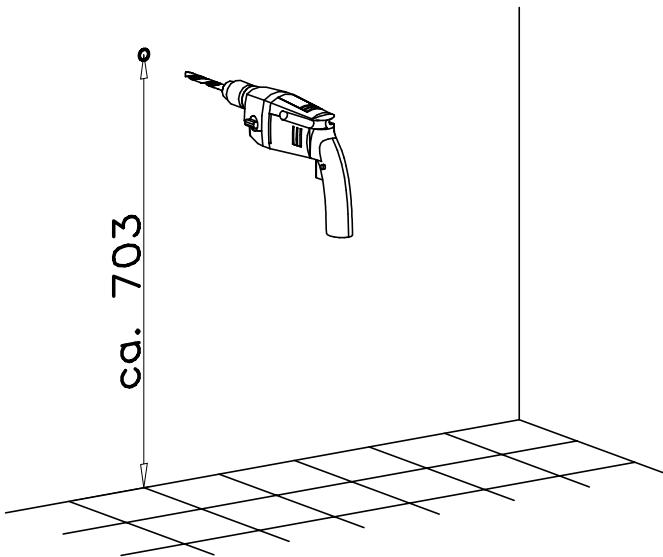
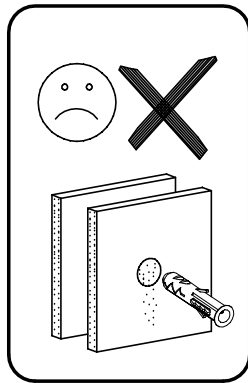
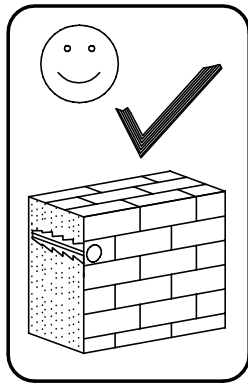




$$a = b$$

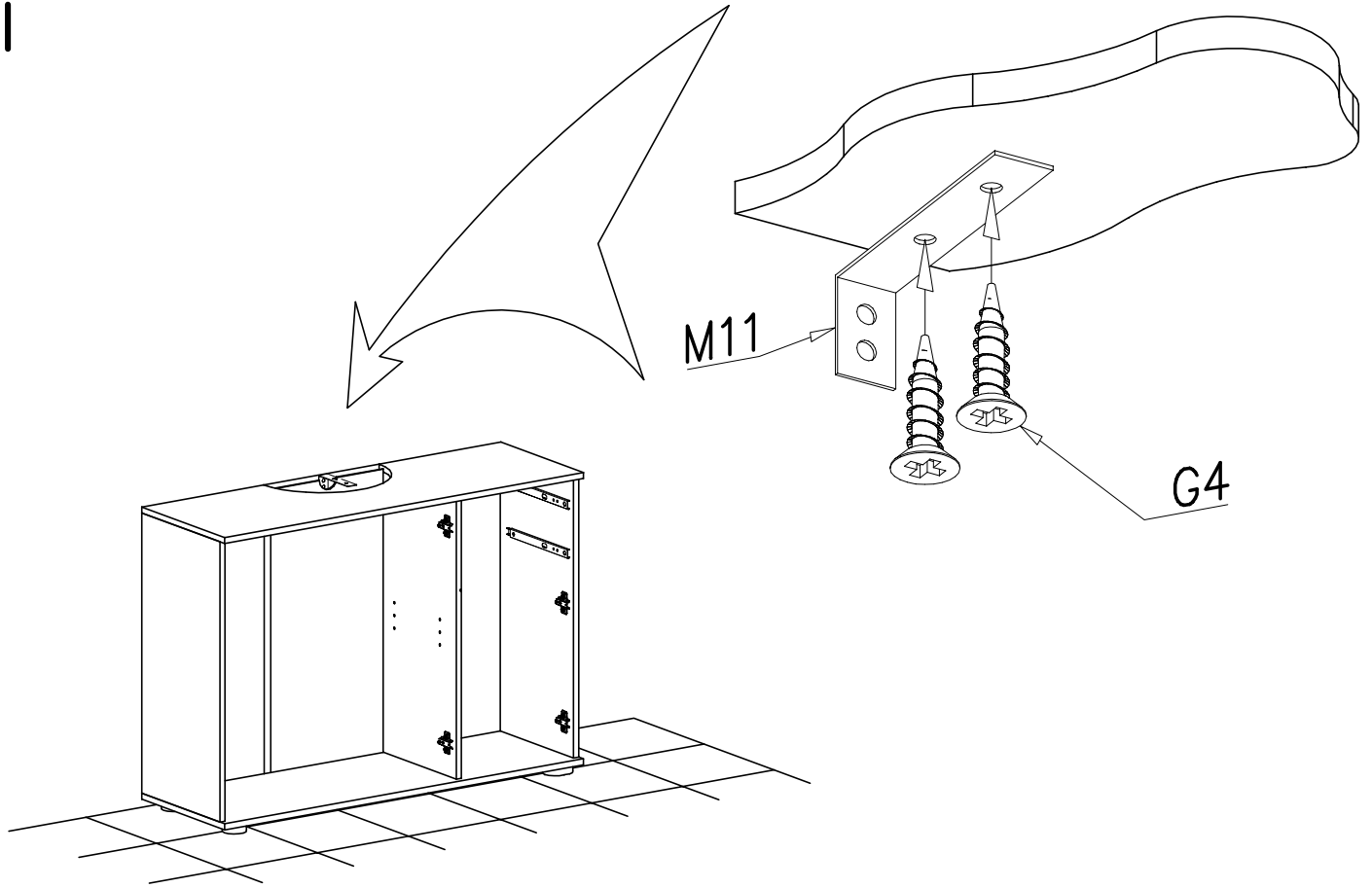


VI

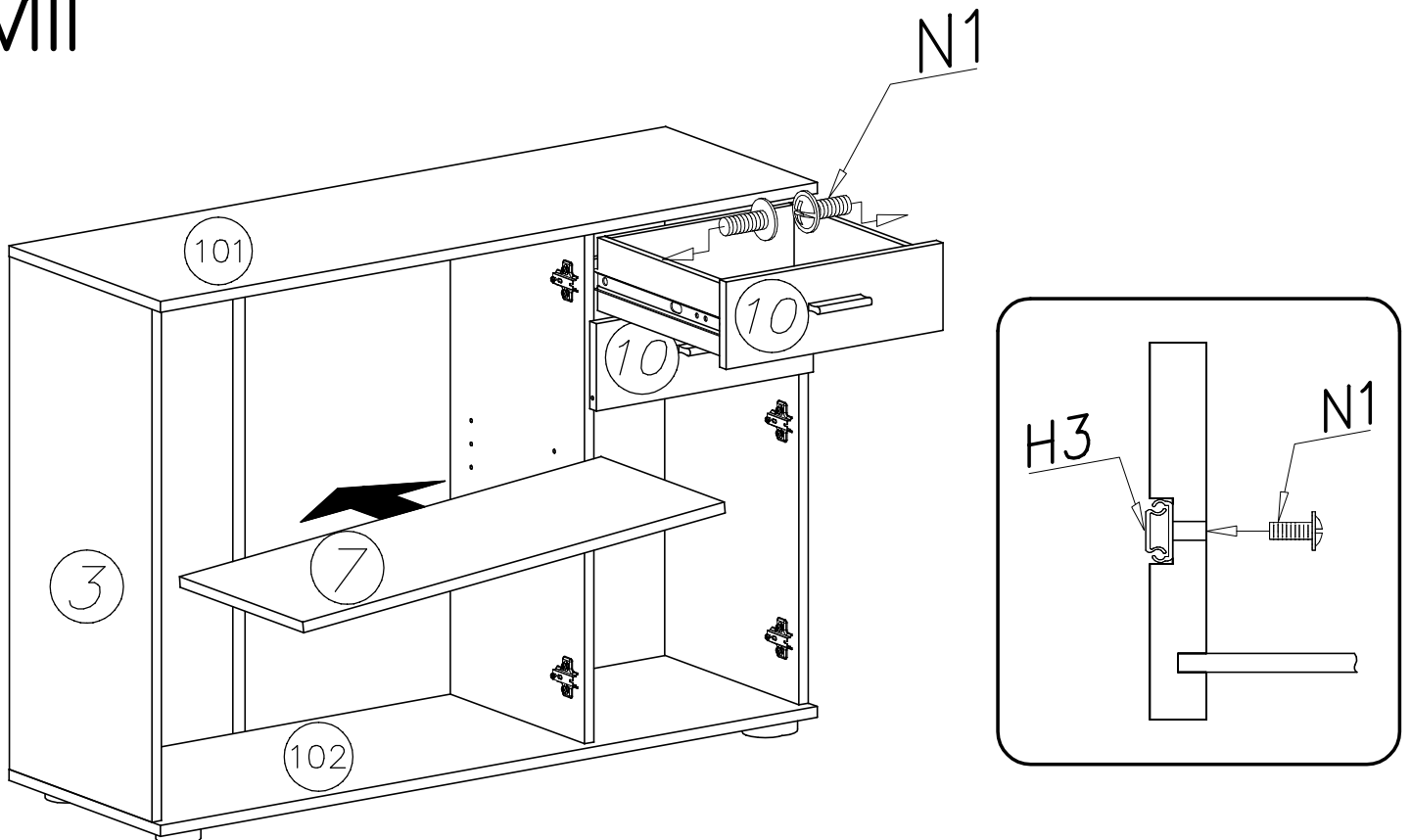




VII

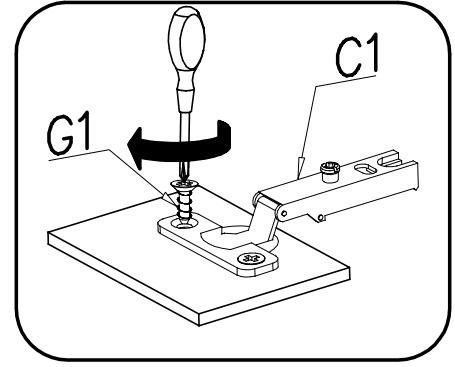
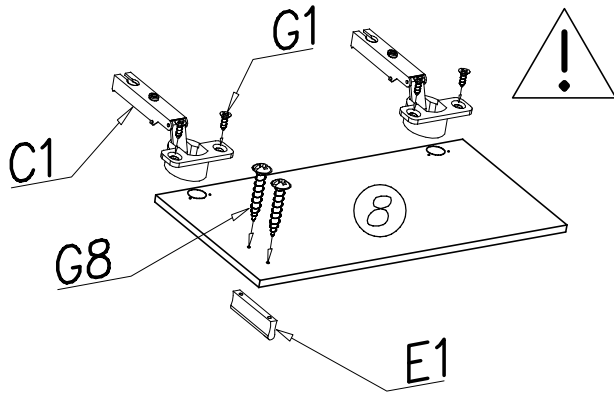


VIII

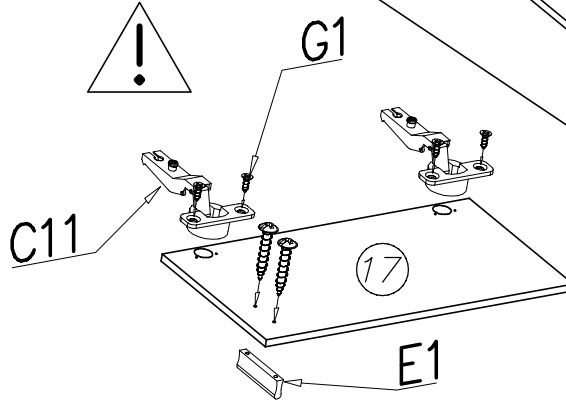
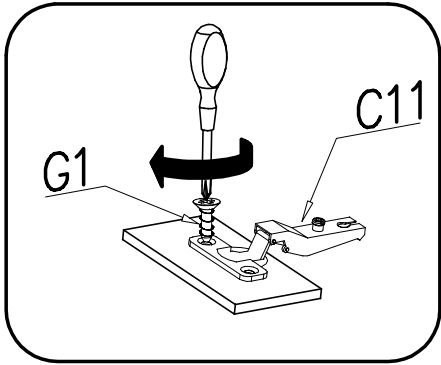
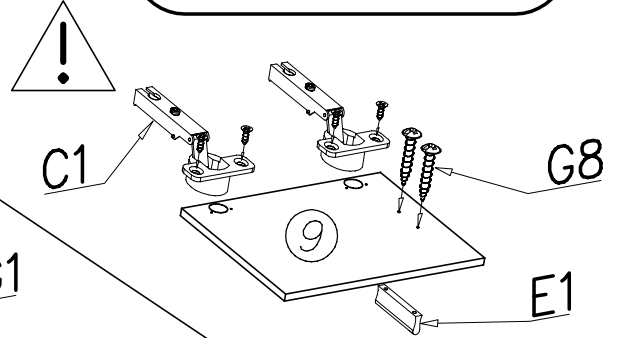




IX



X



XI

