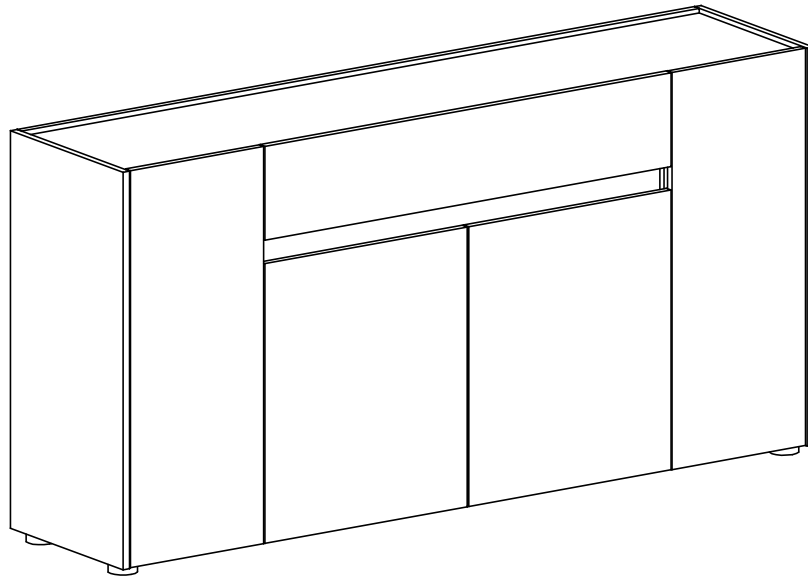


# Modell: CRETA



**(D) Montageanleitung**

**(NL) Handleiding voor de montage**

**(TR) Montaj talimatı**

**(F) Notice de montage**

**(CZ) Montážní návod**

**(HU) Szerelési útmutató**

**(GB) Assembly instructions**

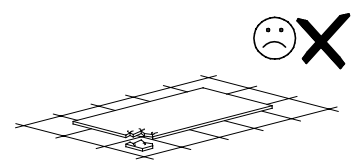
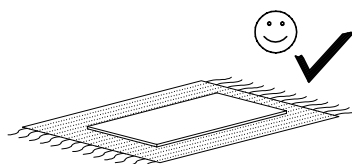
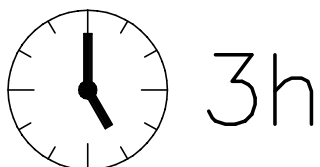
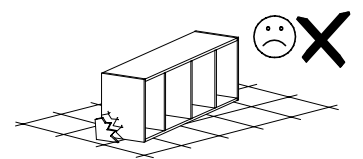
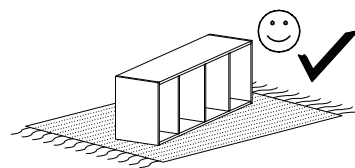
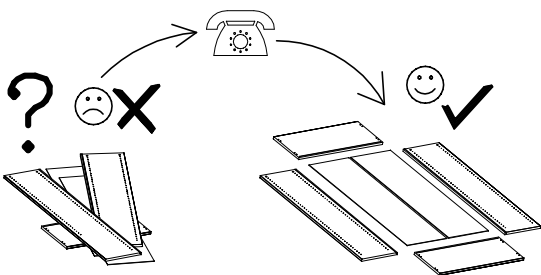
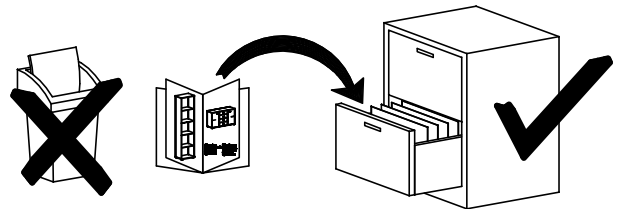
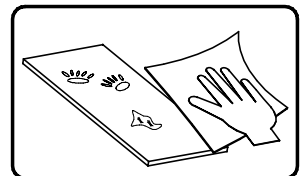
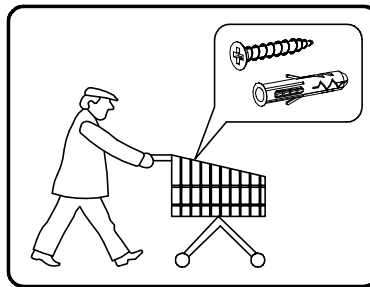
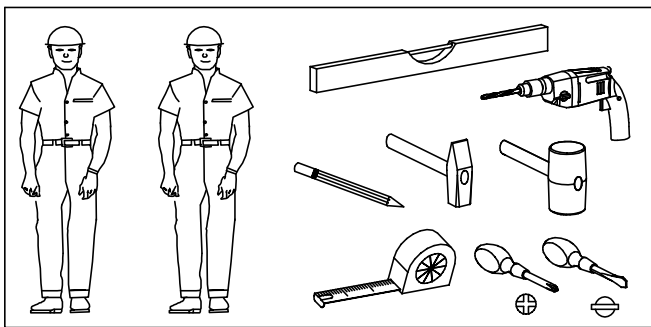
**(PL) Instrukcja montażu**

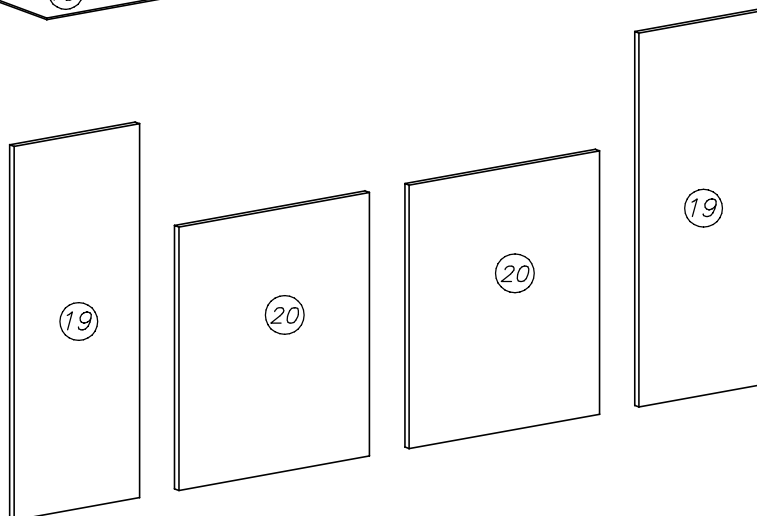
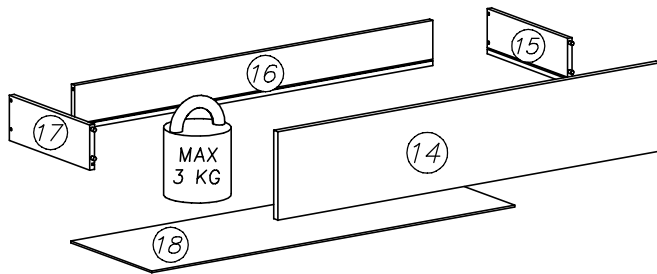
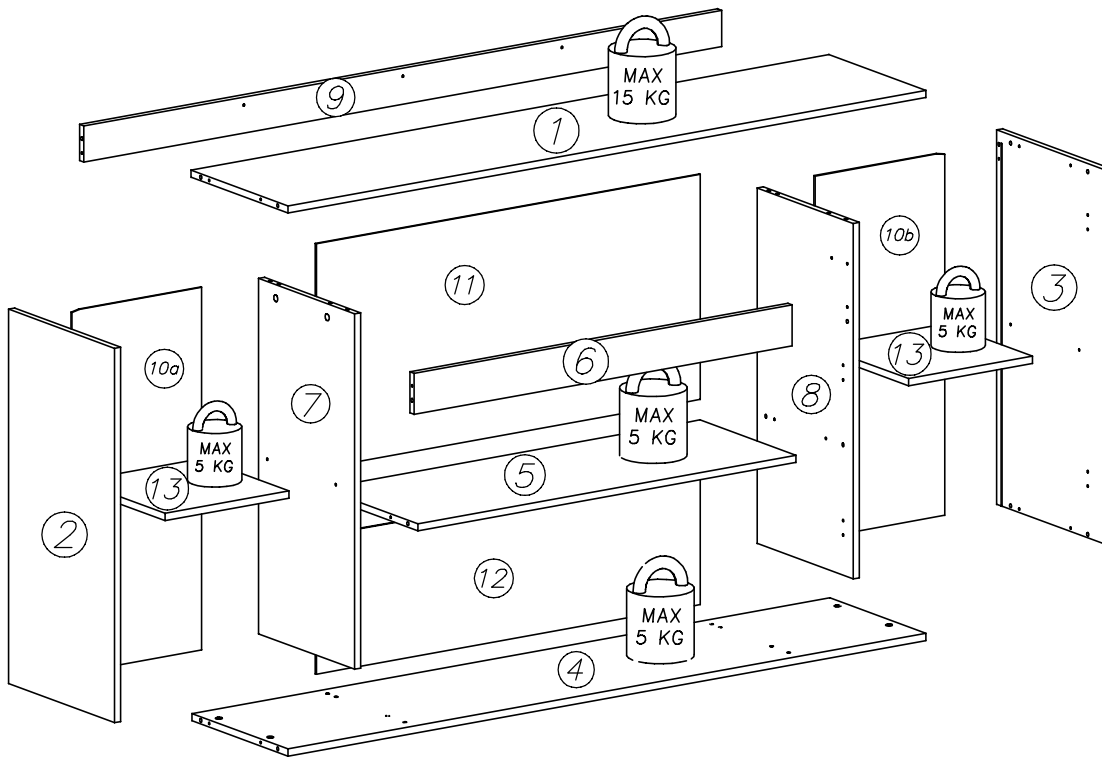
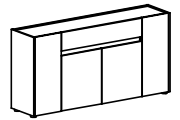
**(RU) Инструкция по монтажу**

**(IT) Istruzioni di montaggio**

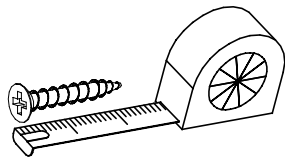
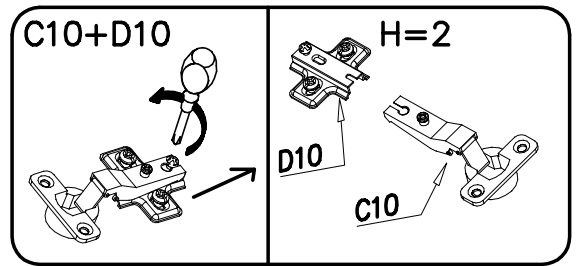
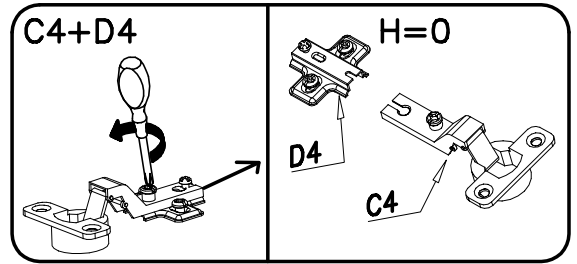
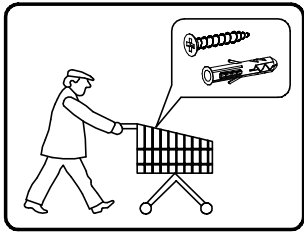
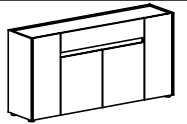
**(SK) Návod na montáž**

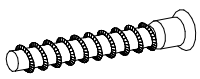
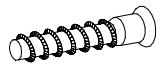

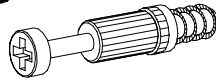
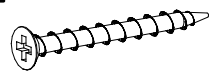
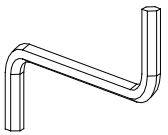
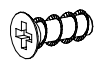
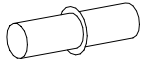
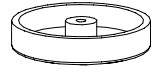
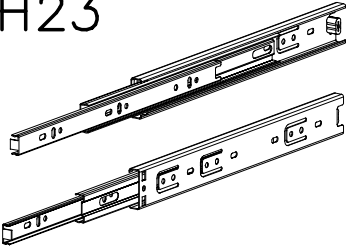
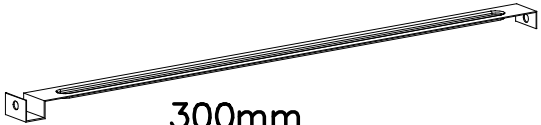

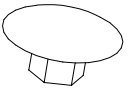
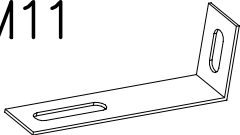
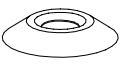

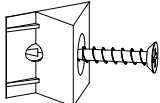
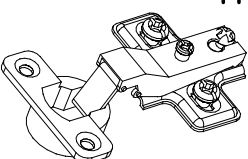
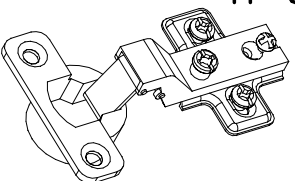

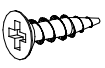
**(RO) Instrucțiuni de montaj**

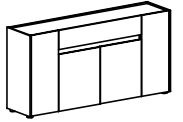




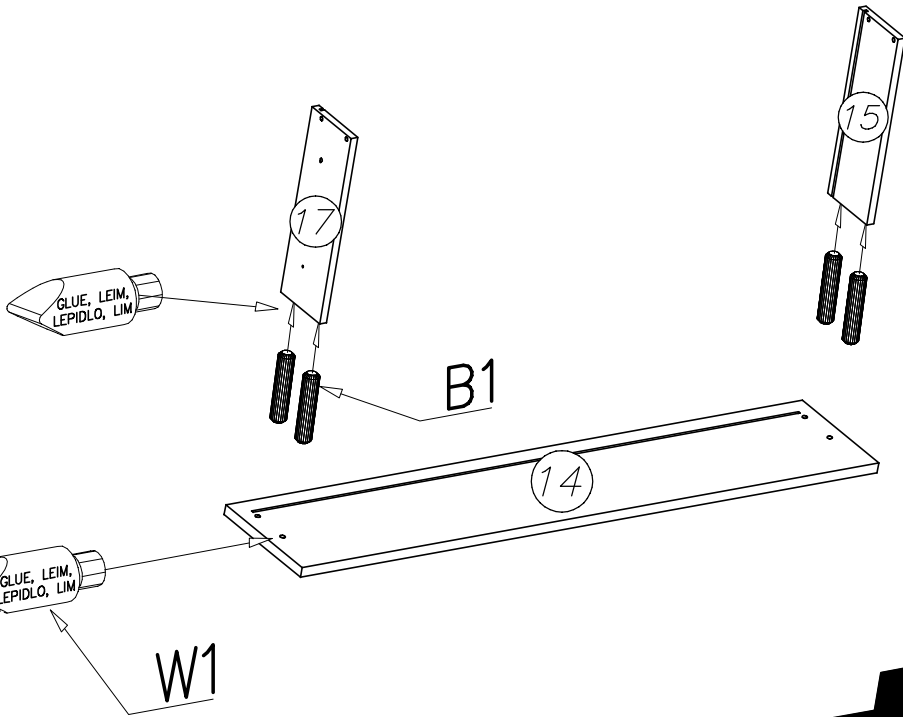
nr	L[mm]	B[mm]	T[mm]	Menge	Colli
1	1668	362	16	1	2/2
2	830	396	16	1	1/2
3	830	396	16	1	1/2
4	1668	358	16	1	2/2
5	976	358	16	1	1/1
6	978	93	16	1	1/2
7	788	358	16	1	2/2
8	788	358	16	1	2/2
9	1668	93	16	1	2/2
10a	804	344	3	1	2/2
10b	804	344	3	1	2/2
11	493	992	3	1	1/2
12	311	992	3	1	2/2
13	330	328	16	2	1/2
14	989	196	16	1	2/2
15	300	100	12	1	2/2
16	930	100	12	1	2/2
17	300	100	12	1	2/2
18	940	301	3	1	2/2
19	829	334	16	2	1/2
20	584	493	16	2	1/2



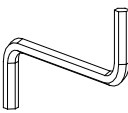



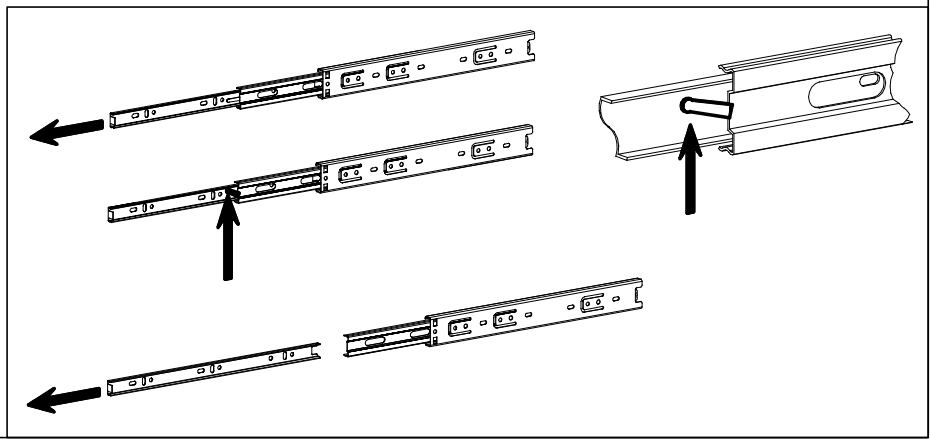
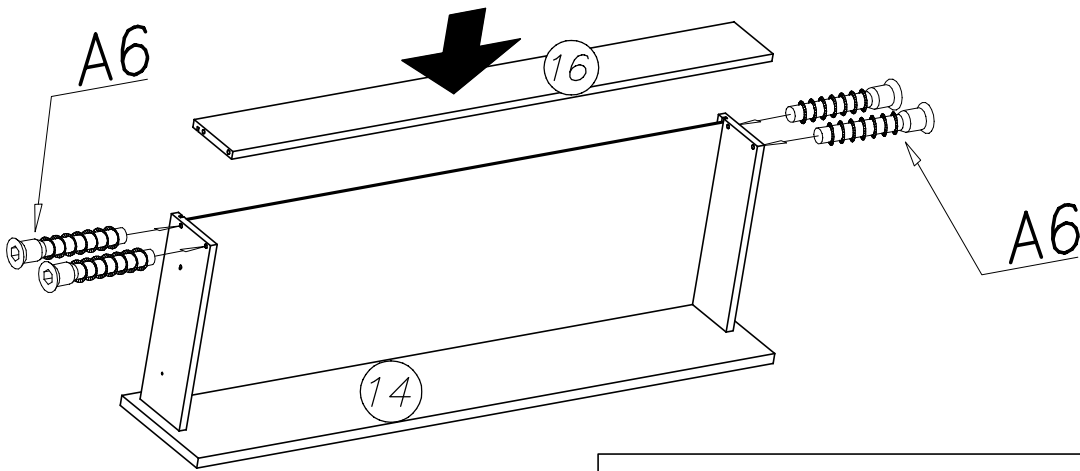
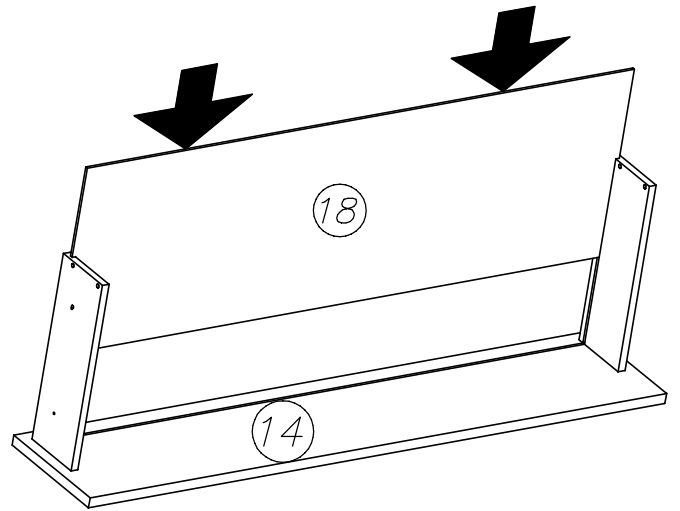
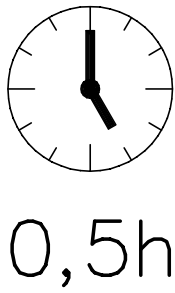
<b>A1</b>  ø7x50 x4							
<b>A6</b>  ø7x40 x4		<b>K1</b>  ø15x12 x20		<b>K5</b>  x20		<b>G14</b>  3,5x45 x3	
<b>W2</b>  x1		<b>G20</b>  5x13 x10		<b>F2</b>  x8		<b>P20</b>  x6	
<b>H23</b>  H35-300mm x1		<b>M8</b>  300mm x2				<b>G12</b>  4x25 x6	
		<b>I7</b>  ø18 x20		<b>M11</b>  x2		<b>S2</b>  x34	
<b>W1</b>  x1		<b>I1</b>  x16		<b>C10+D10</b> ø35 H=2  x4		<b>C4+D4</b> ø35 H=0  x4	
<b>B1</b>  ø8x35 x28		<b>G34</b>  3,5x16 x74					
				<b>Z35PL</b> x4			

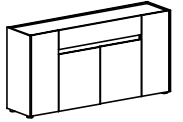


I

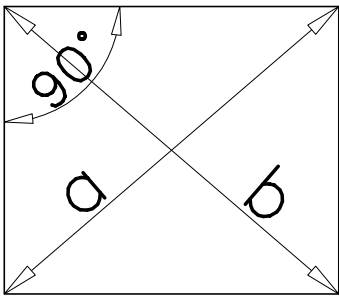
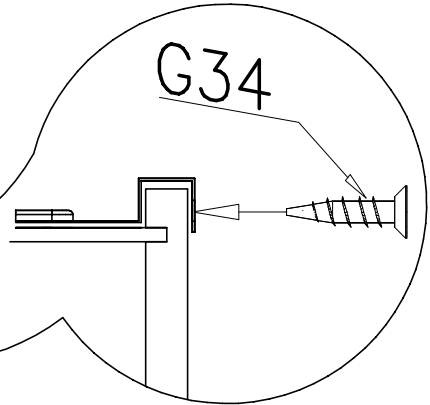
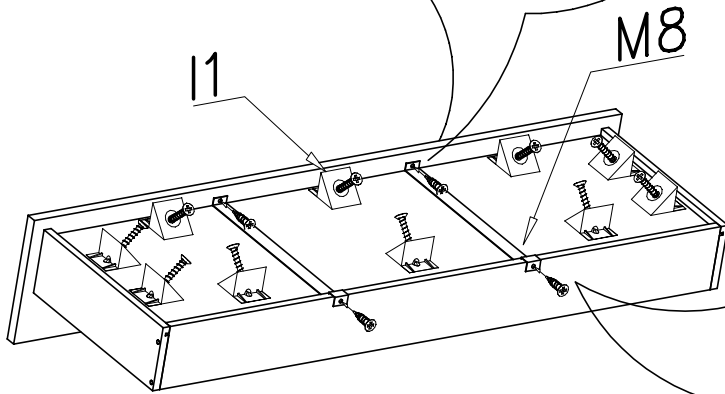
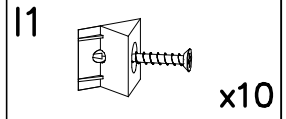
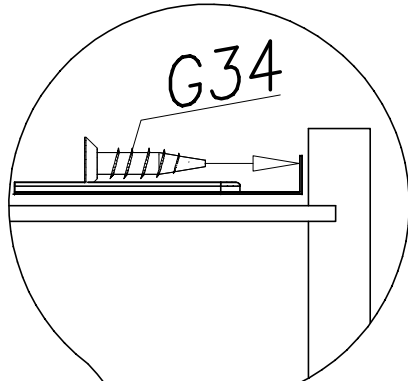


- W1  x1
- A6  x4
- ø7x40
- W2  x1
- B1  x4
- ø8x35

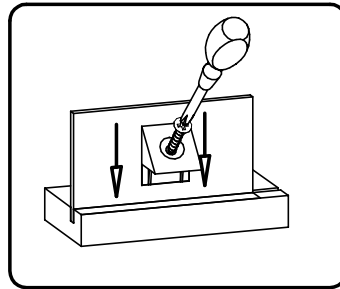




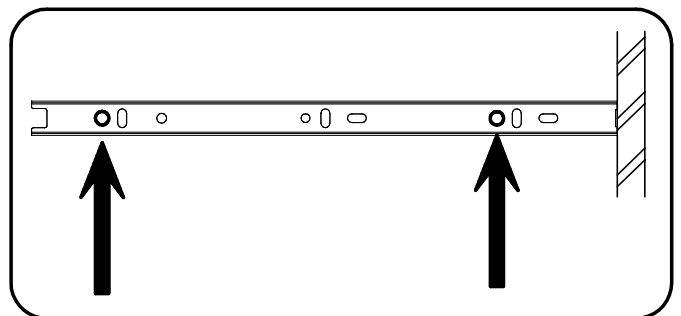
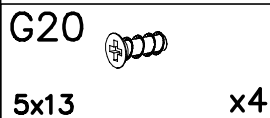
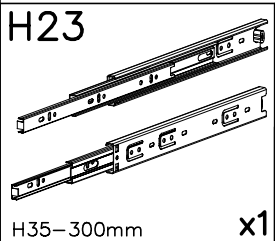
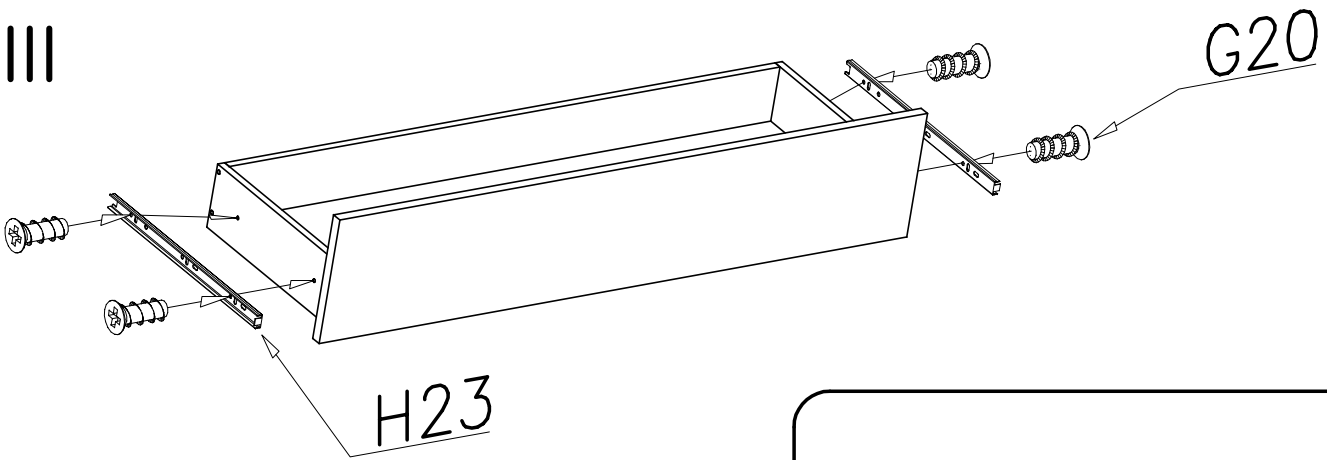
## II

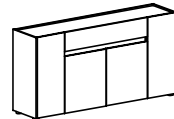


a = b



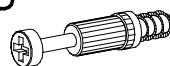
## III





IV

K5



x4

B1



ø8x35

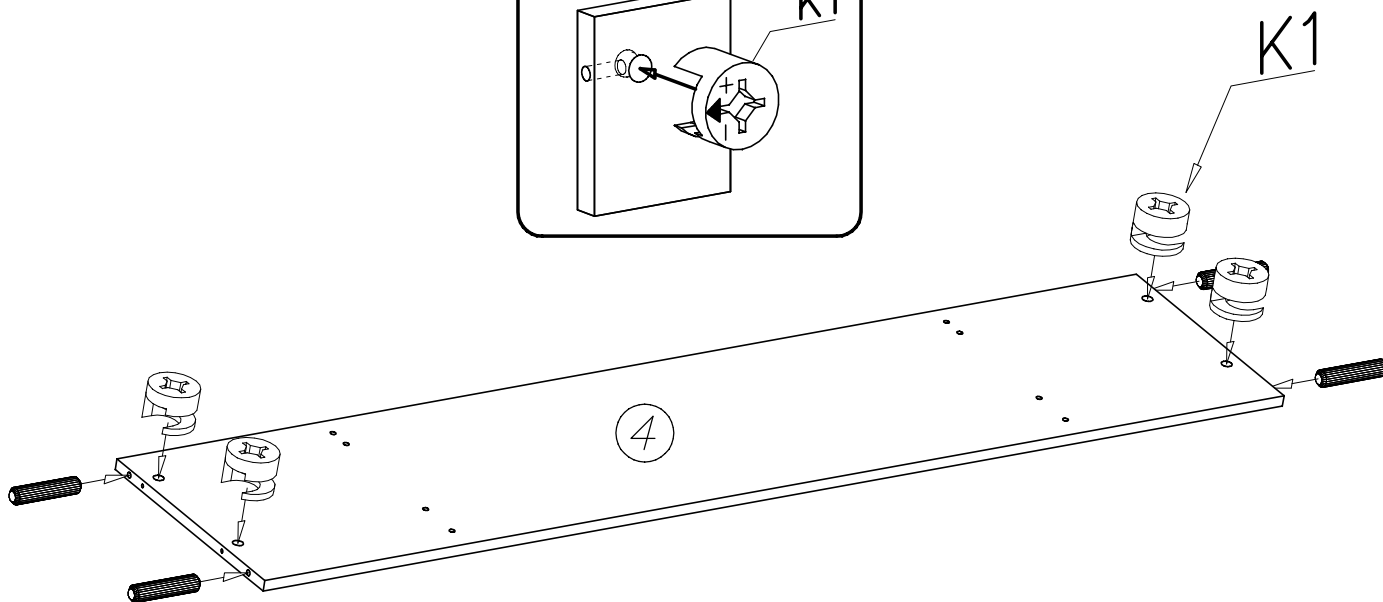
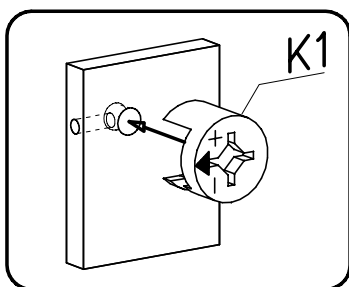
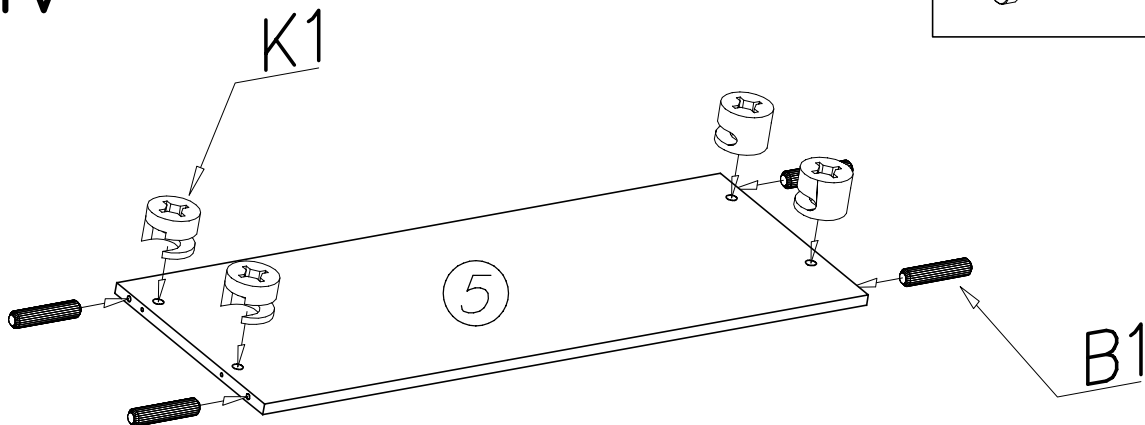
x12

K1

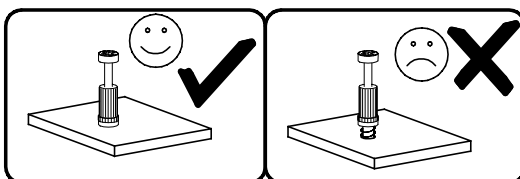


ø15x12

x12

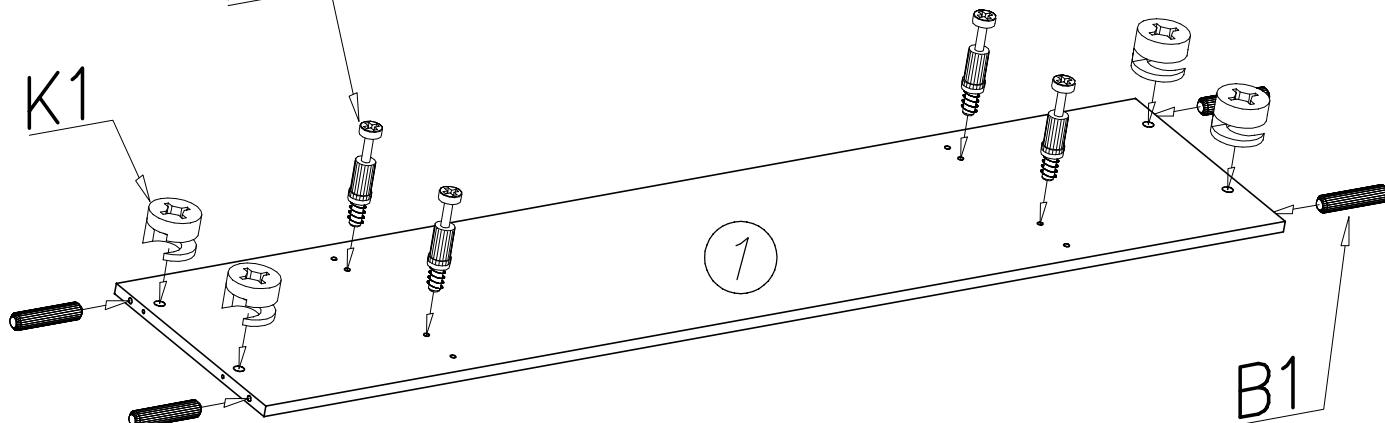


B1

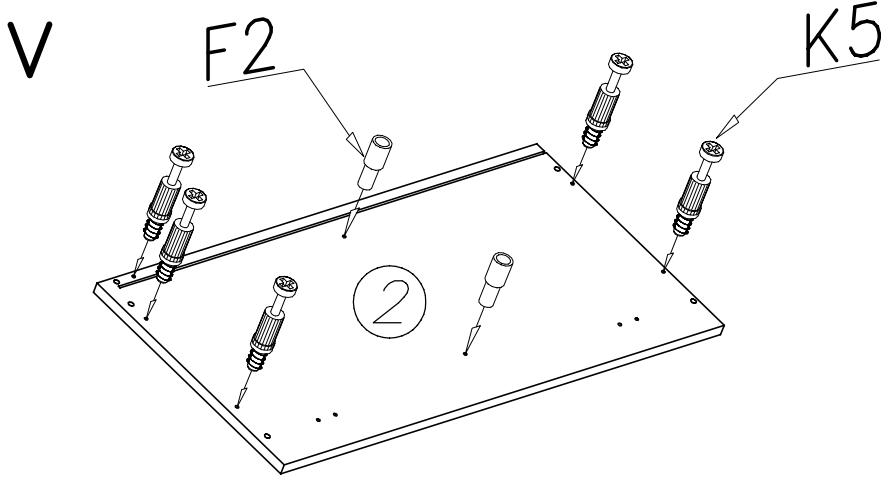
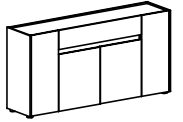


K5

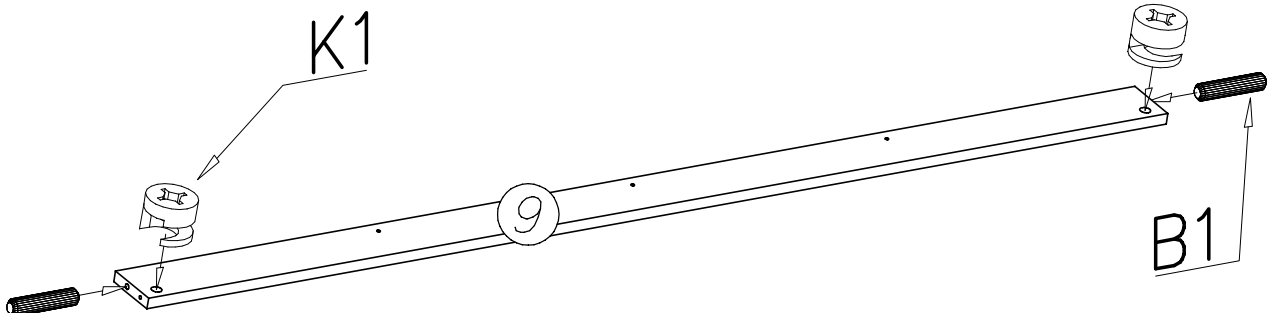
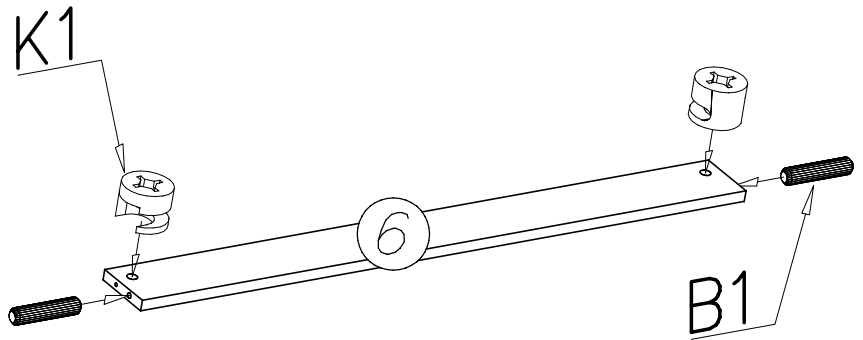
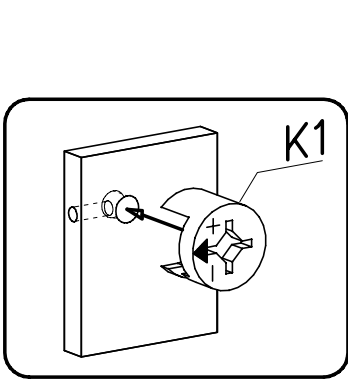
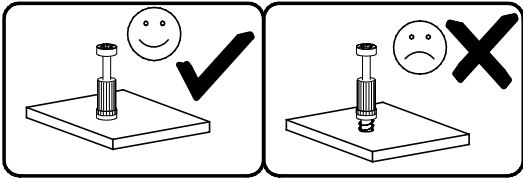
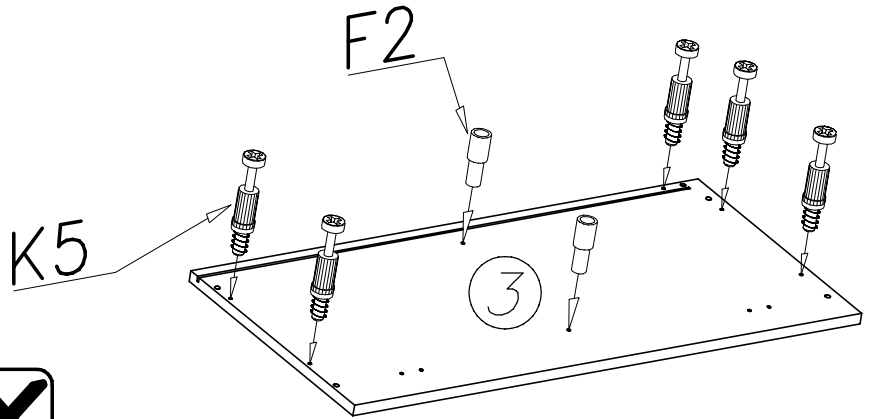
K1

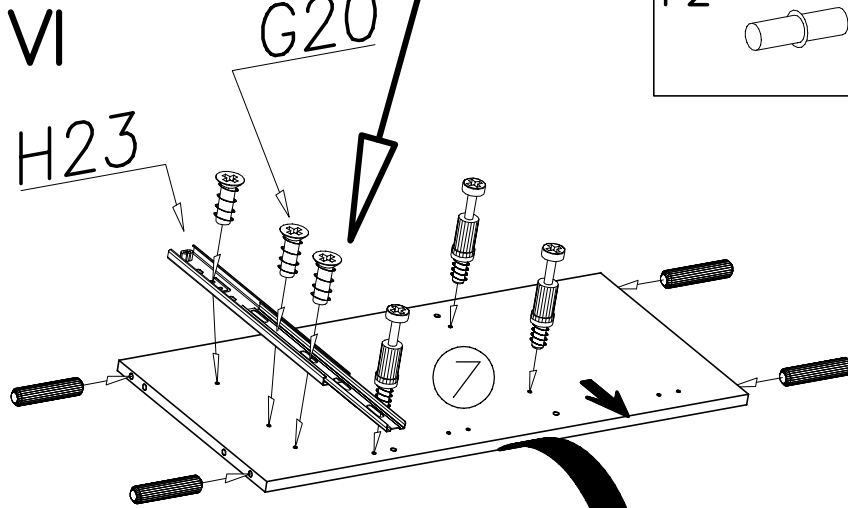
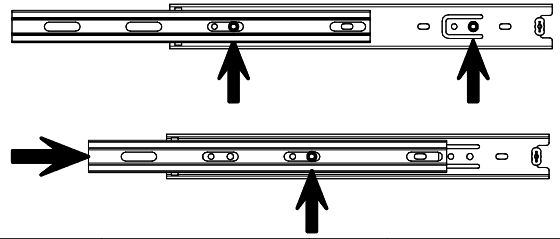
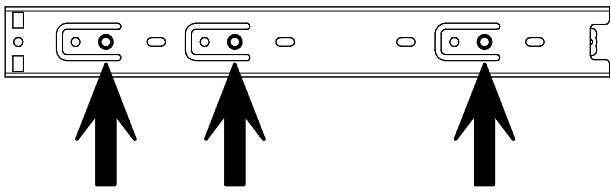
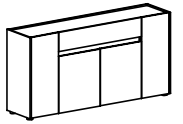


B1

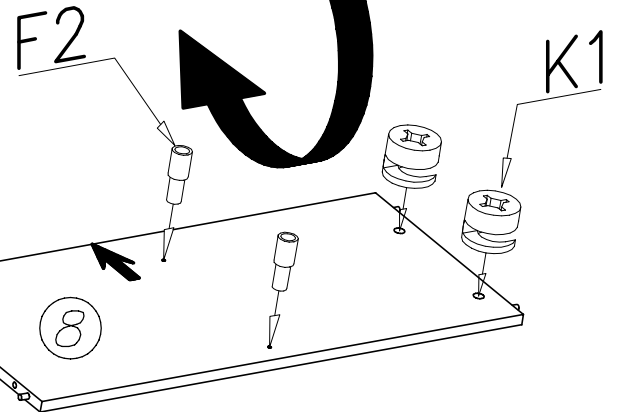
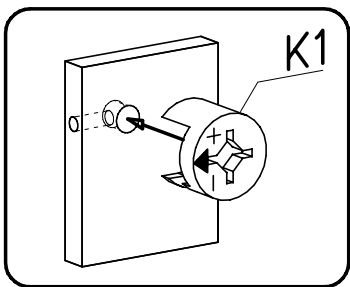
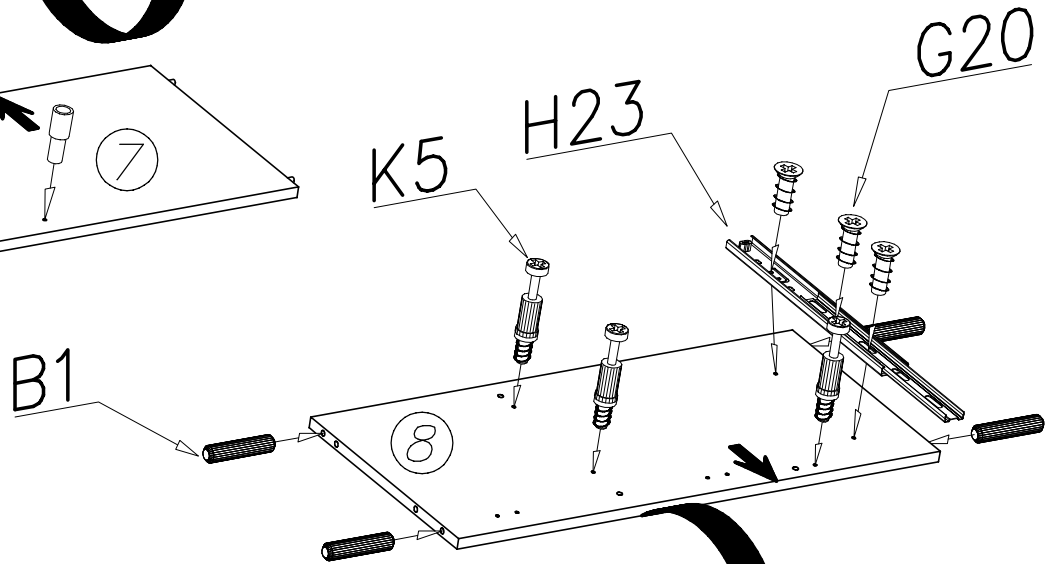
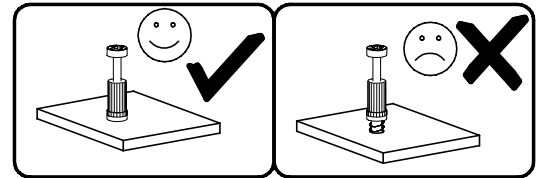
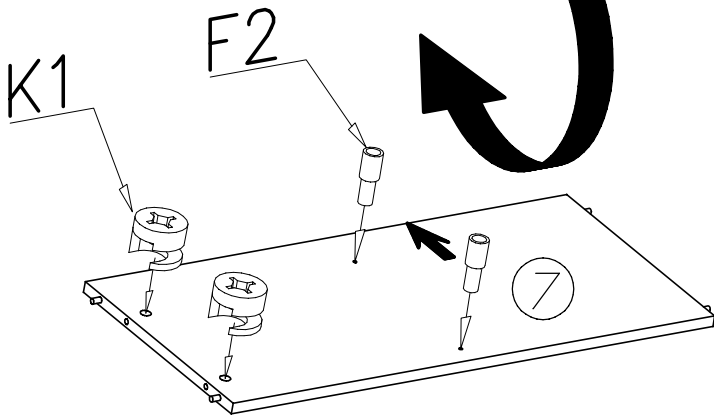


K5		x10	B1		x4
F2		x4	K1		x4

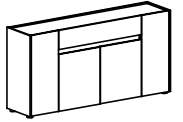




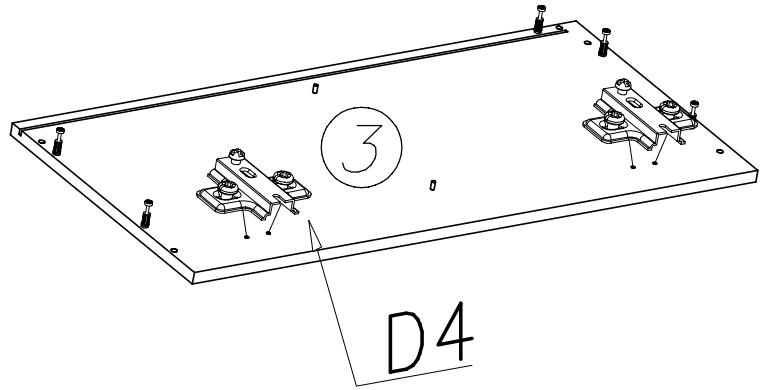
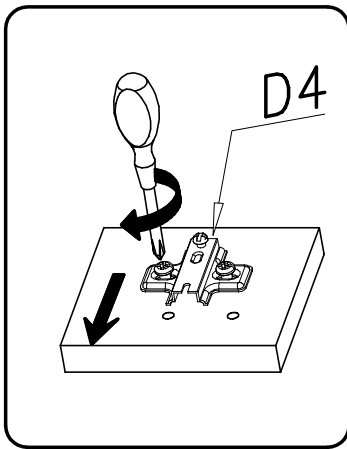
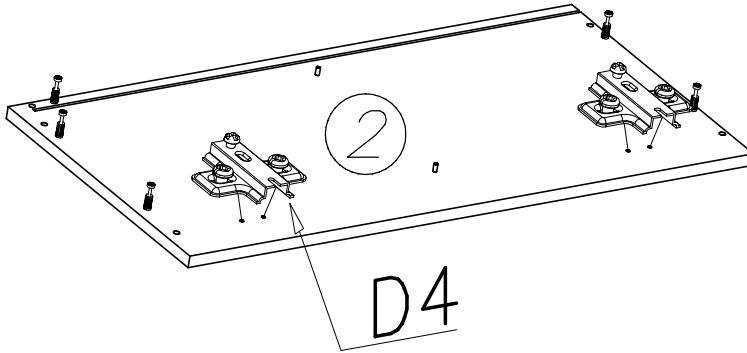
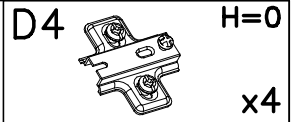
F2		x4	G20		x6	K1		x4
			B1		x8	H23		x1
			K5		x6	H35-300mm		



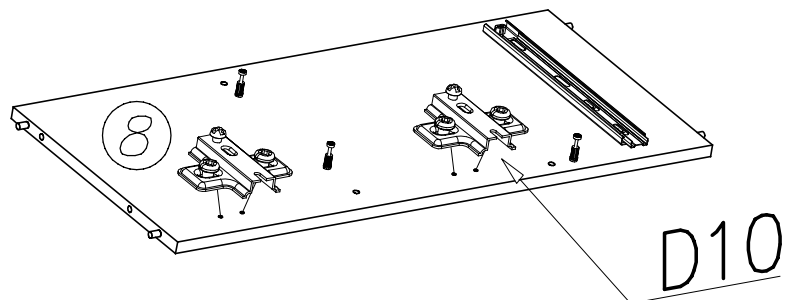
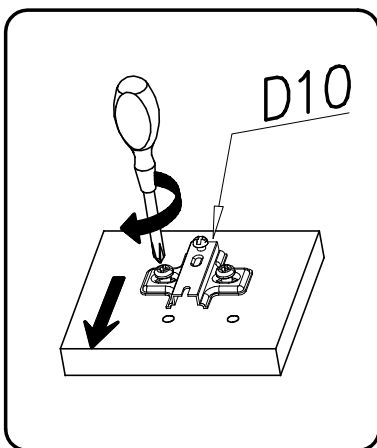
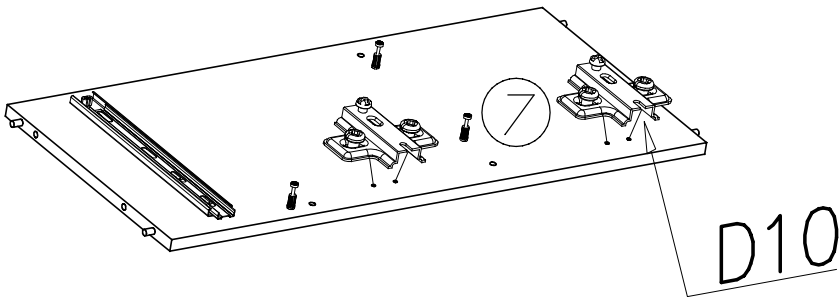
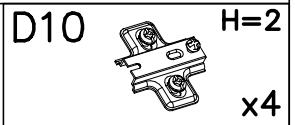


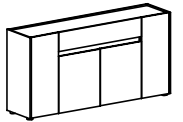


## VII

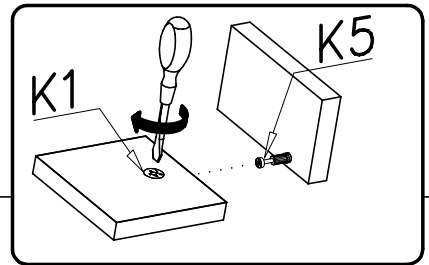
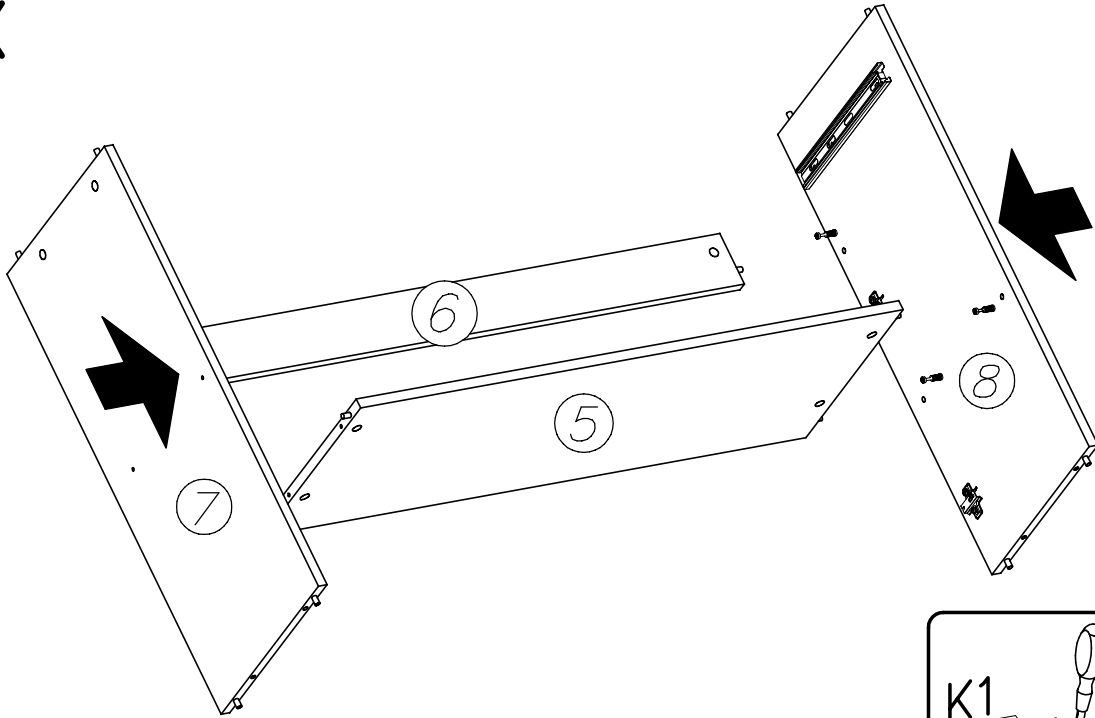


## VIII

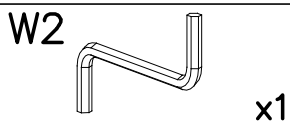
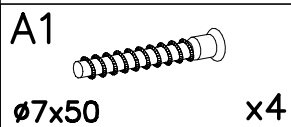
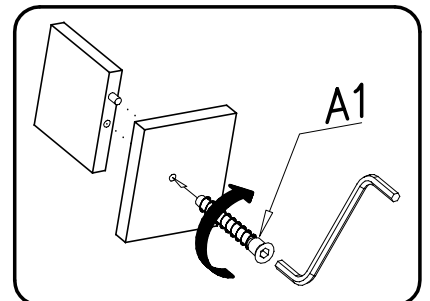
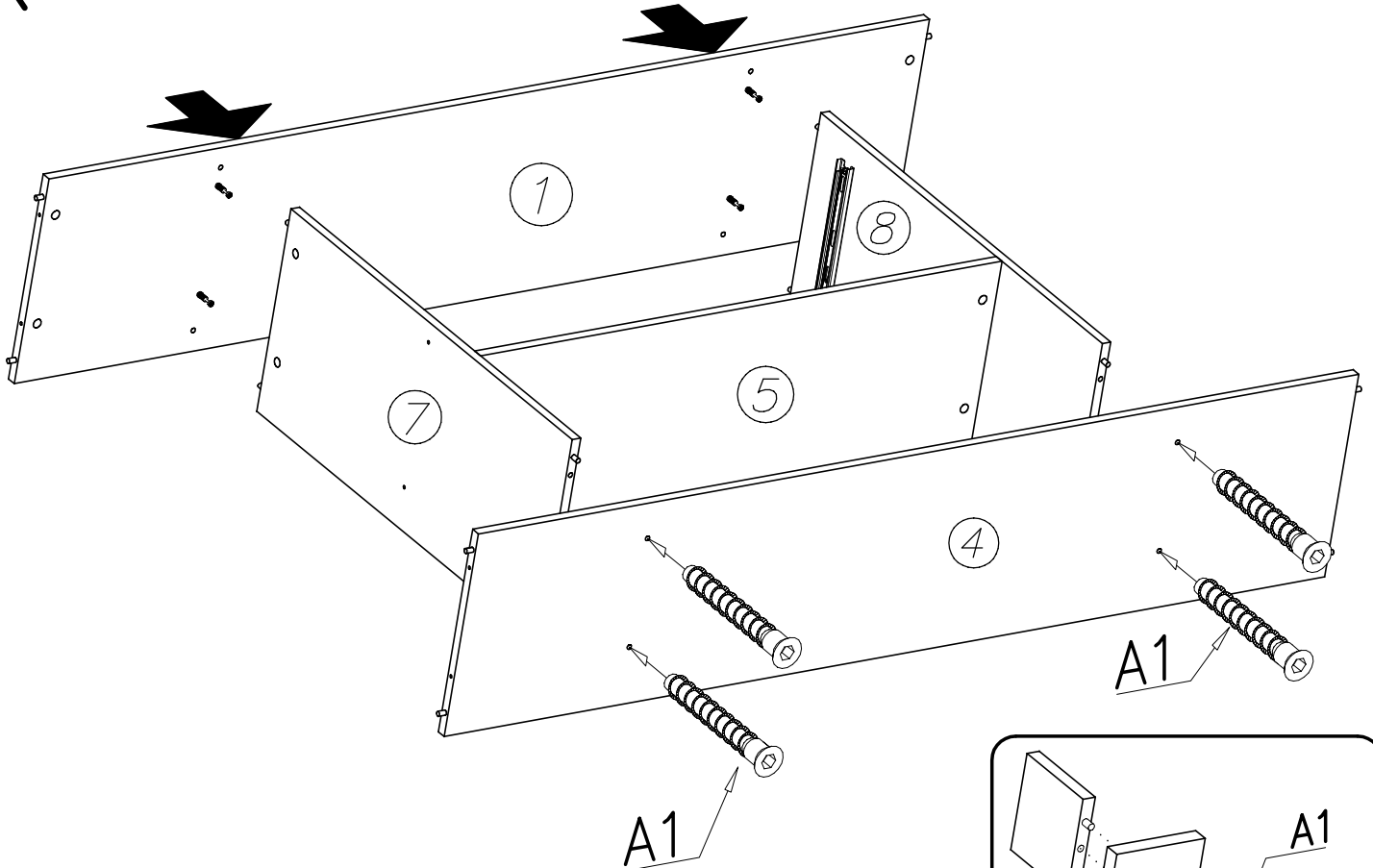


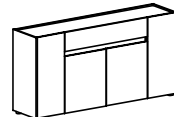


IX

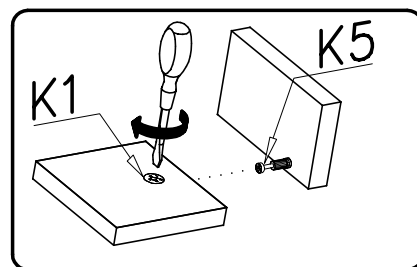
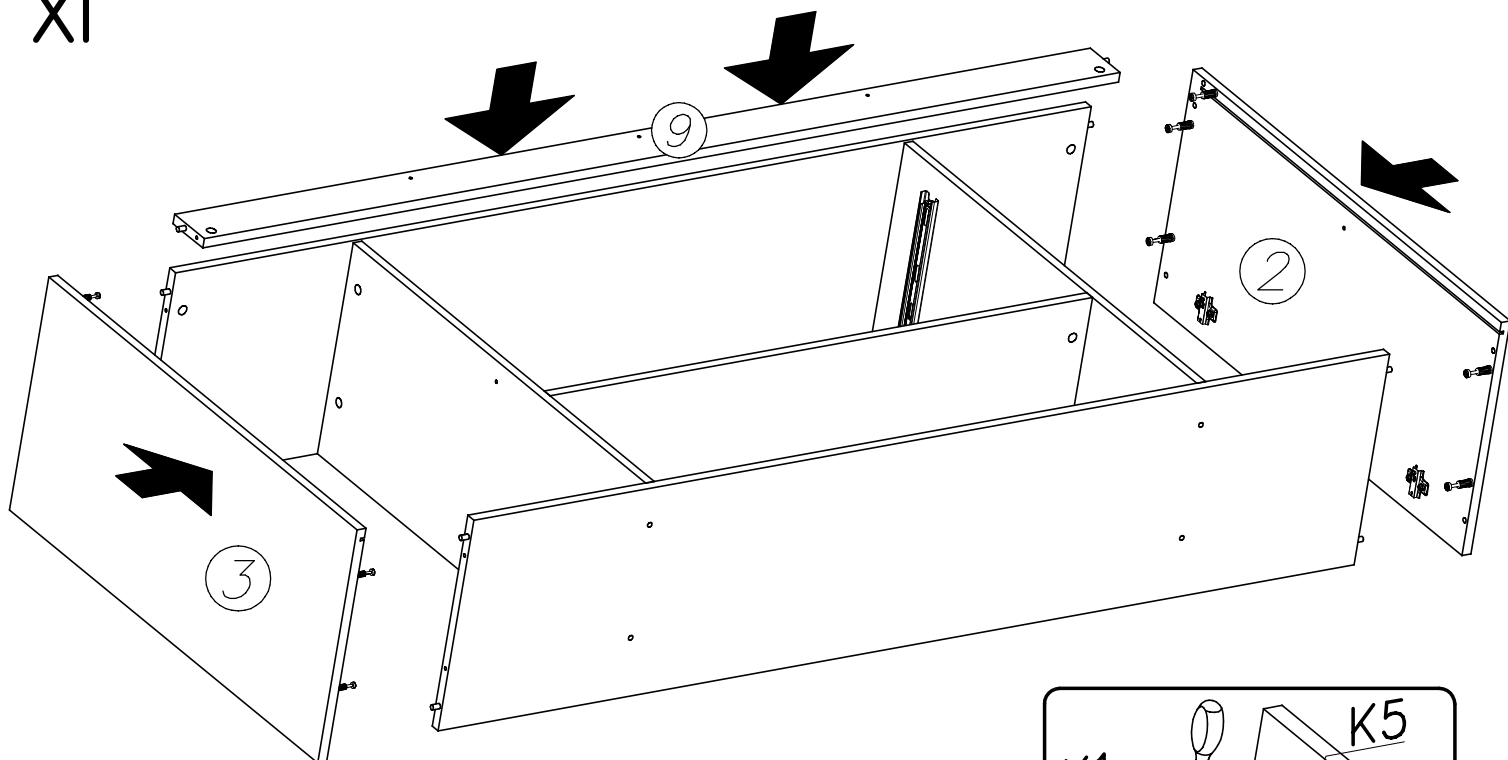


X

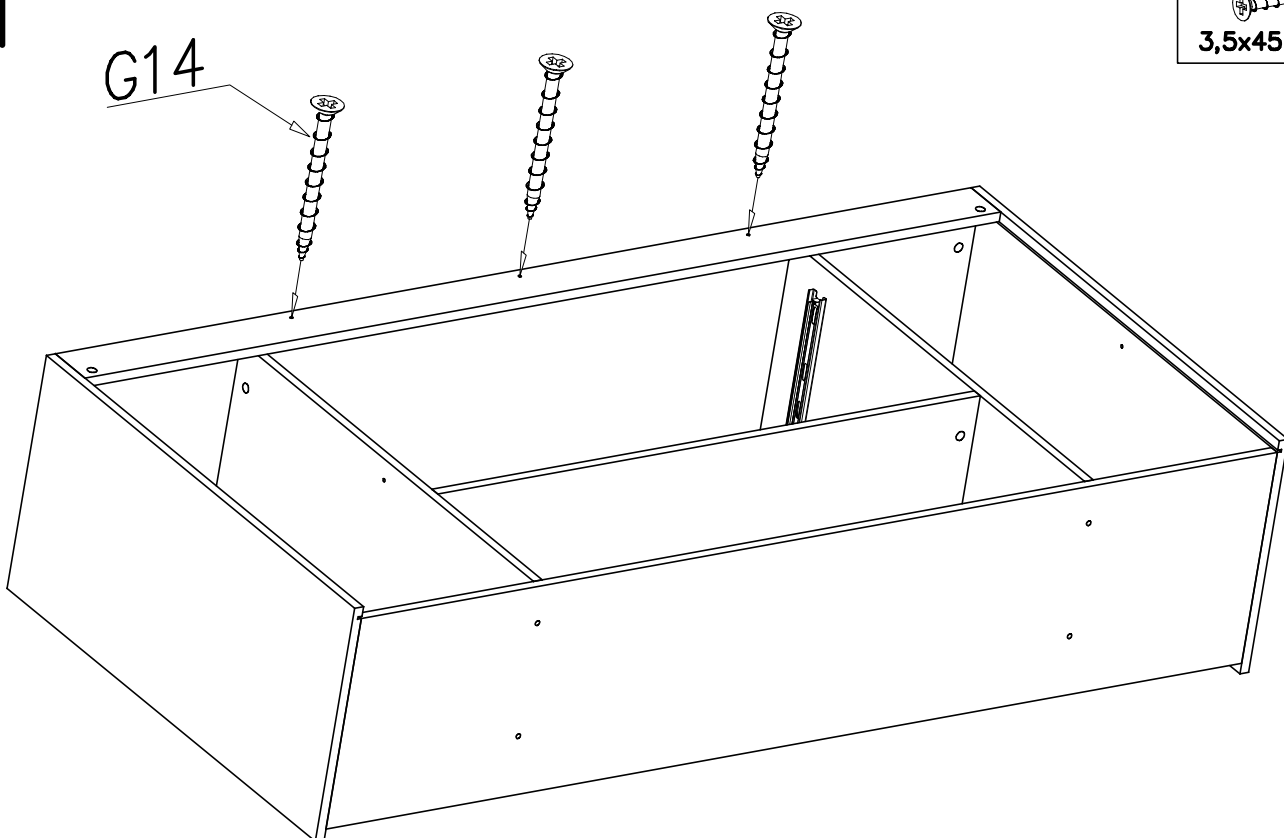




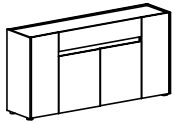
## XI



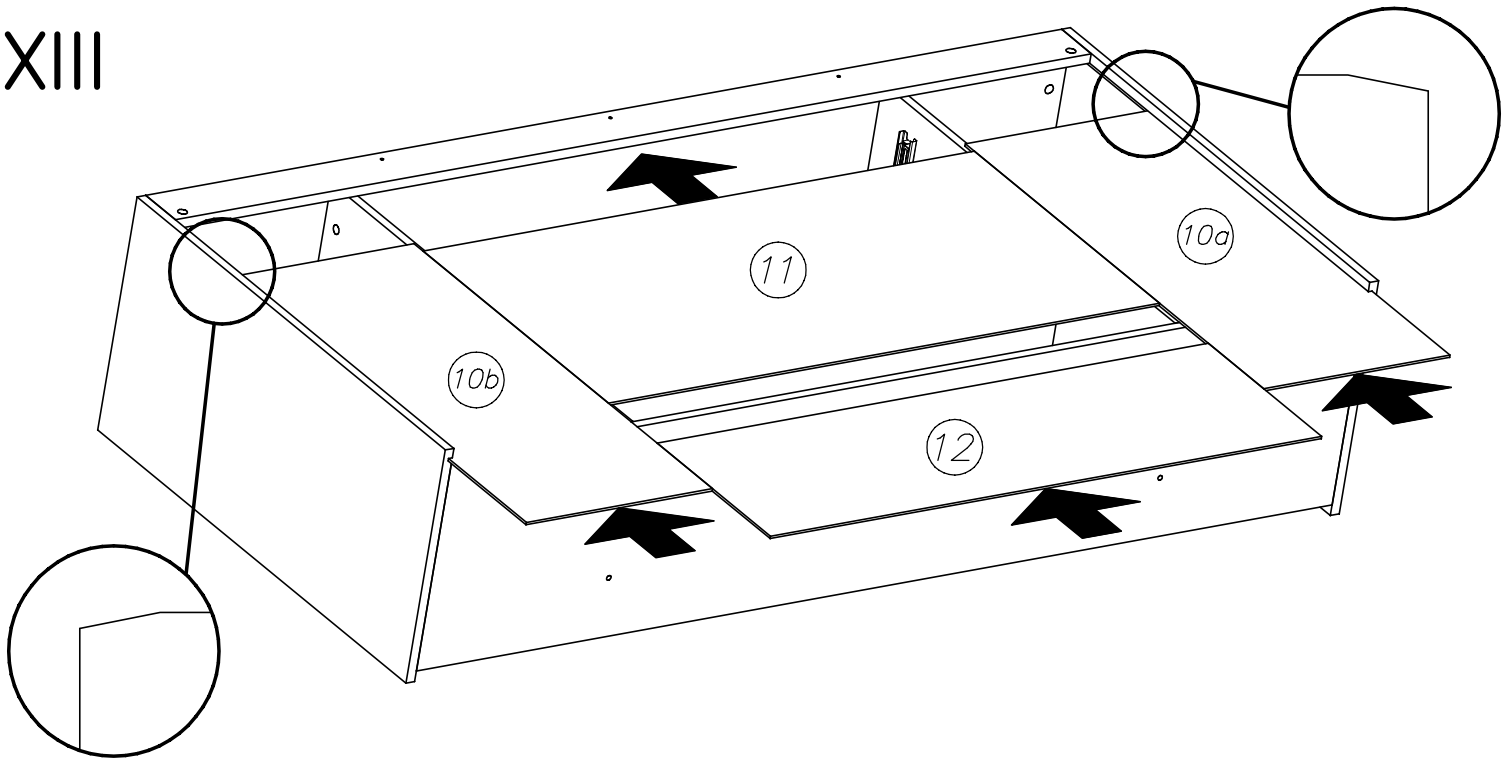
## XII





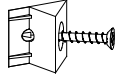
G14  
3,5x45 x3

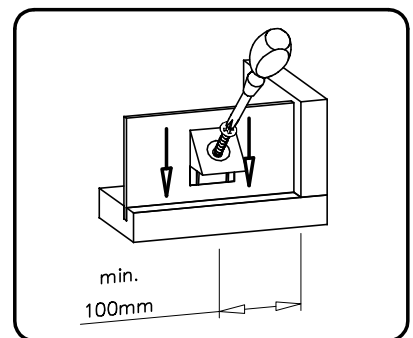
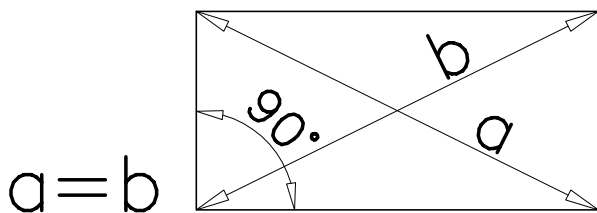
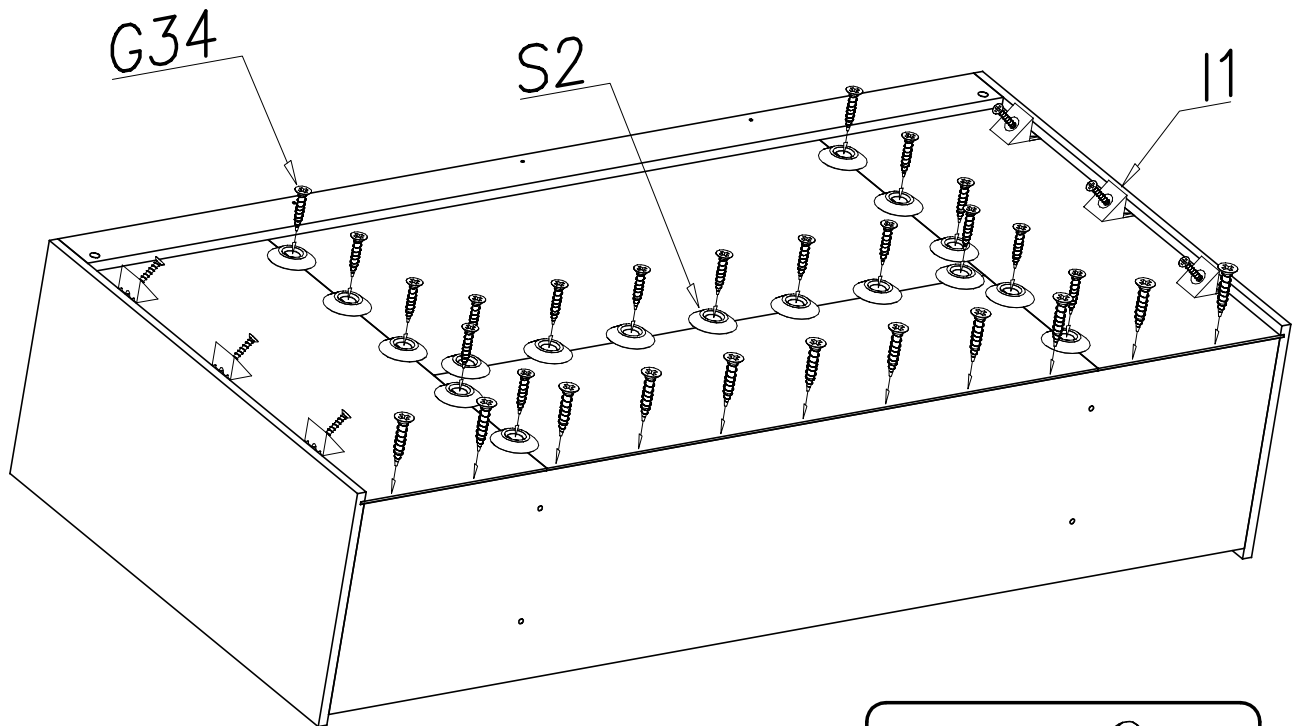


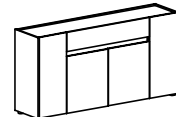
XIII



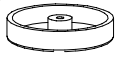
XIV

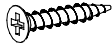
S2		G34		I1	
	x26	3,5x16	x42	x6	

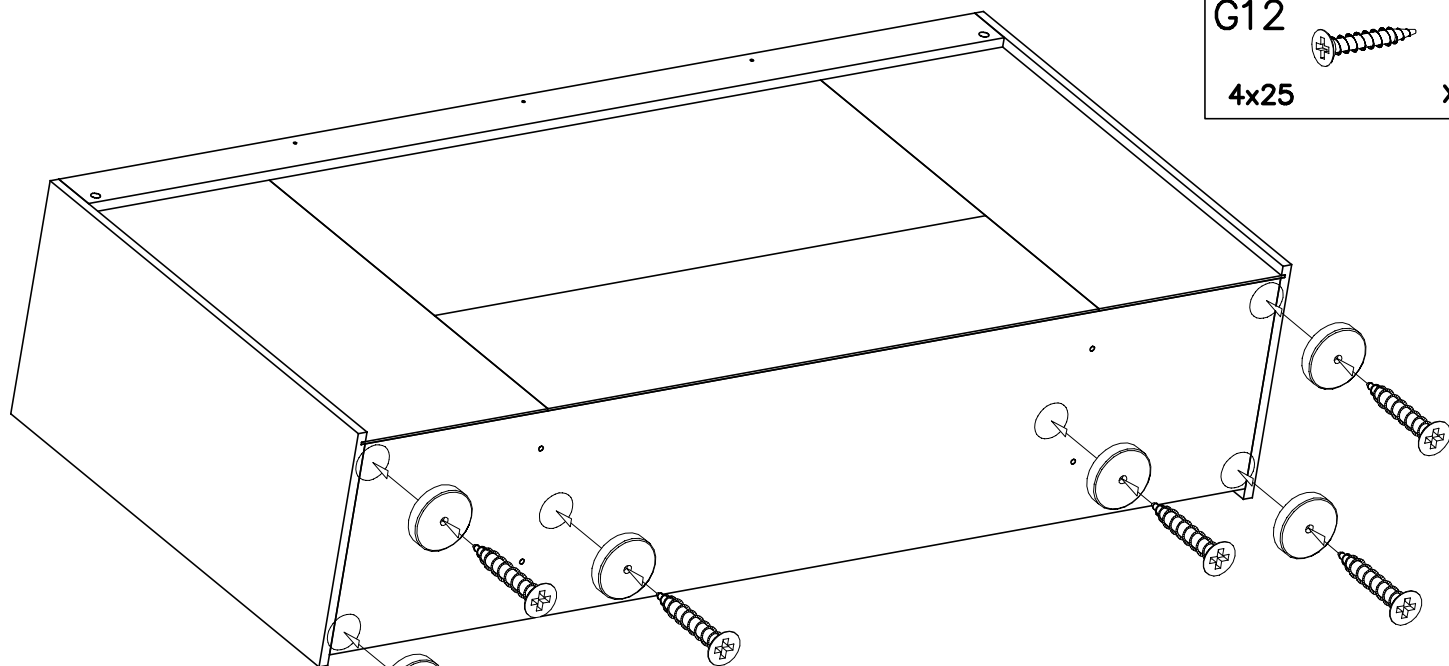




XV

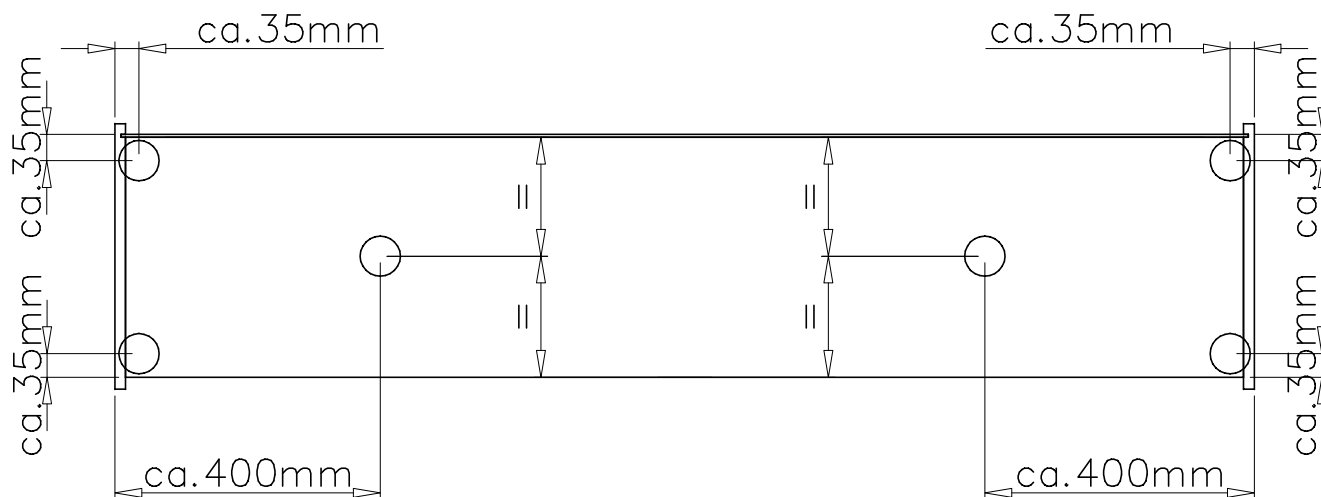
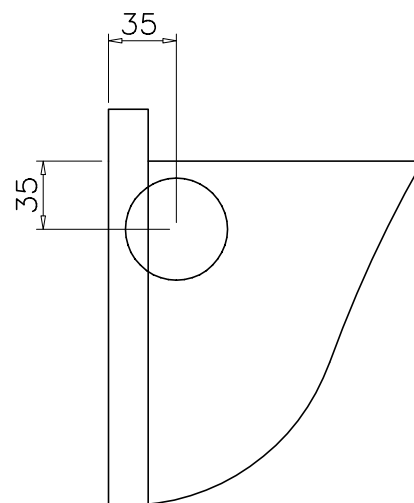
P20  x6

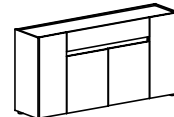
G12  4x25 x6



P20

G12





## XVI

S2



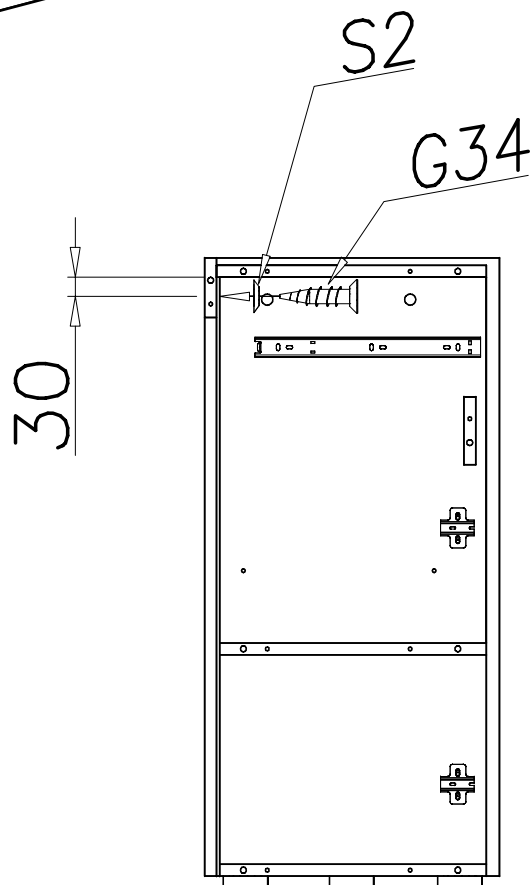
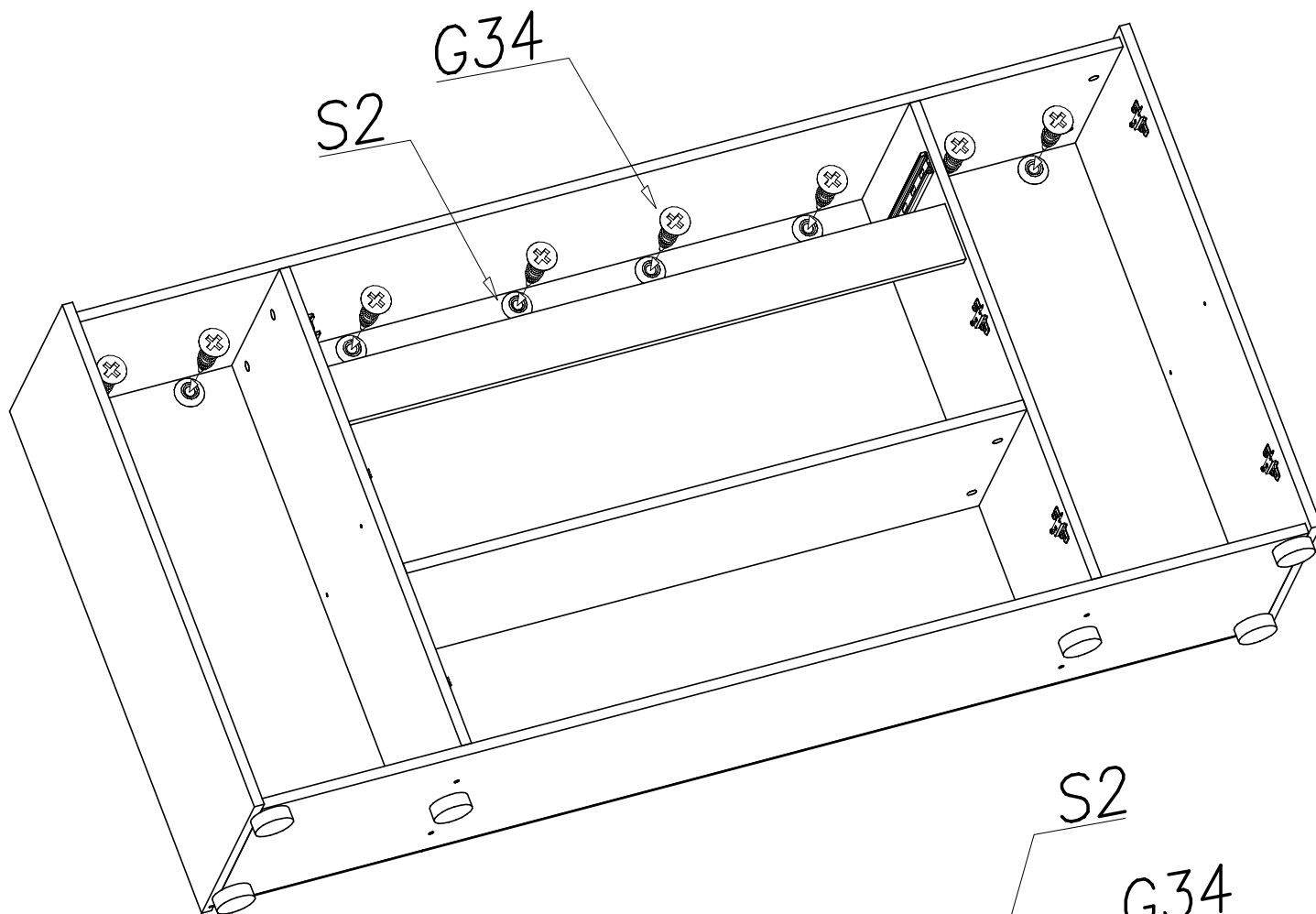
x8

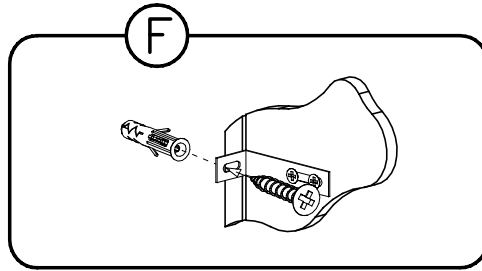
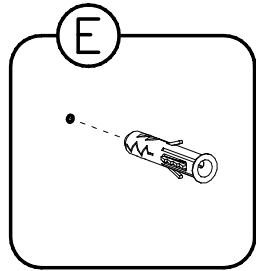
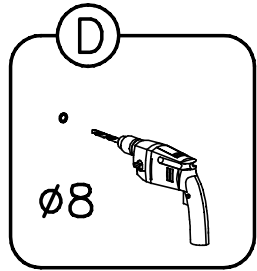
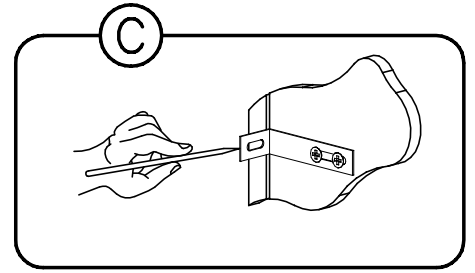
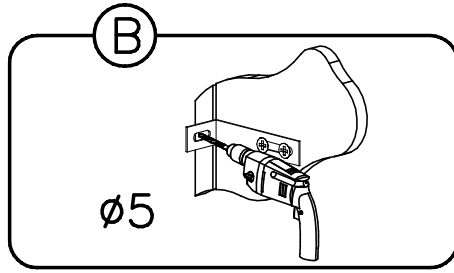
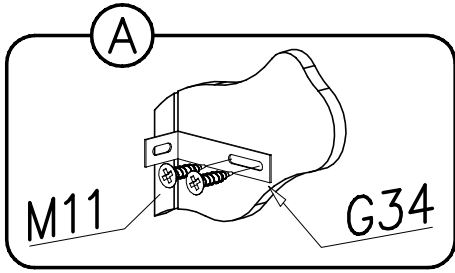
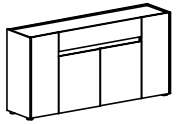
G34



3,5x16

x8

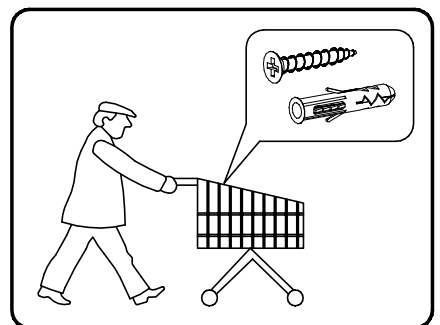
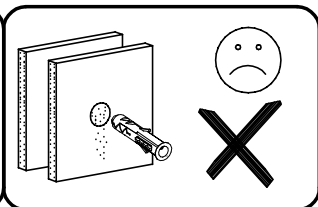
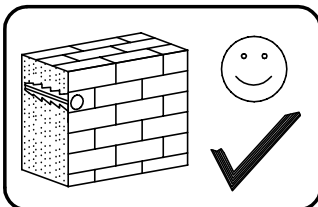
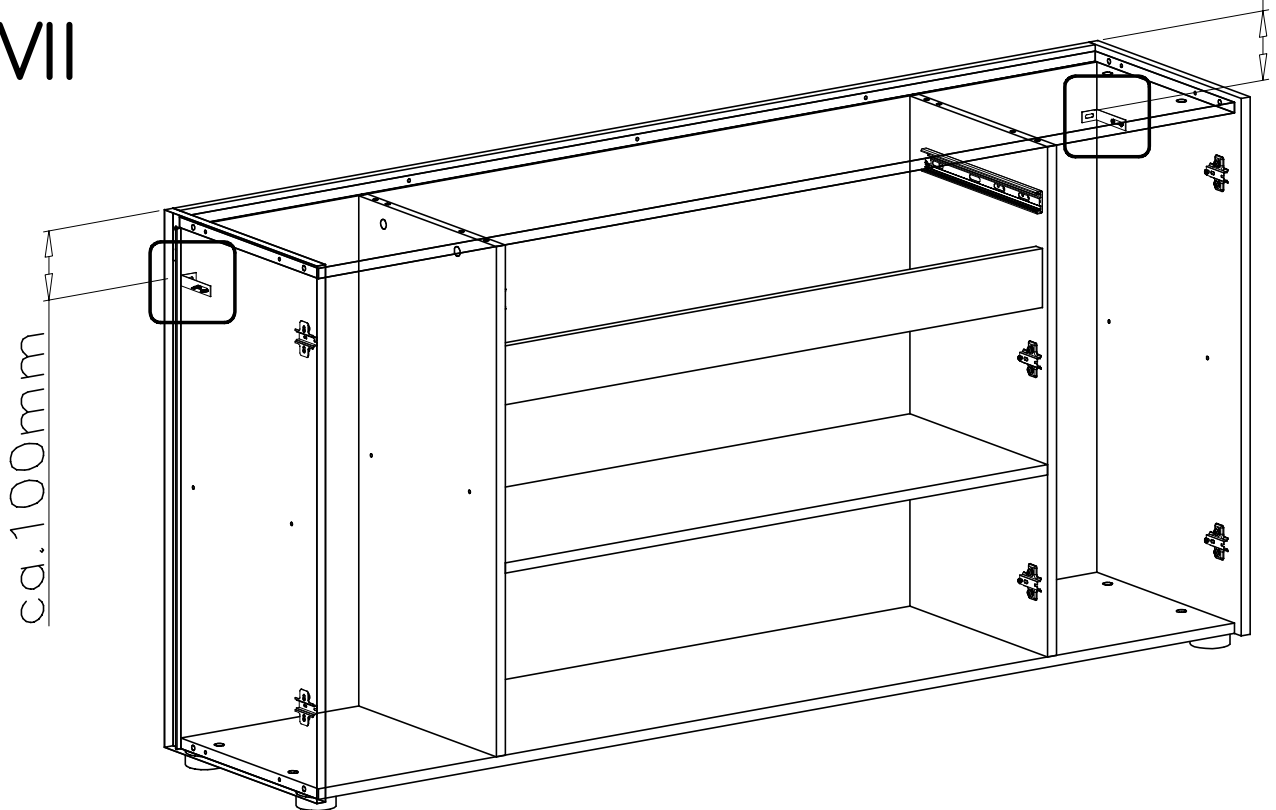


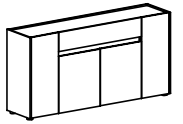


G34		M11	
3,5x16	x4		x2

ca.100mm

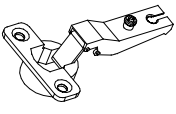
# XVII

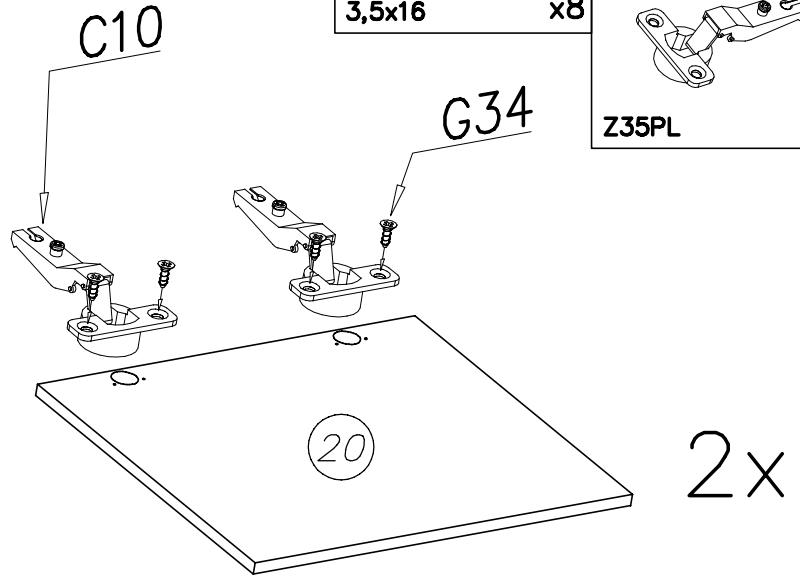
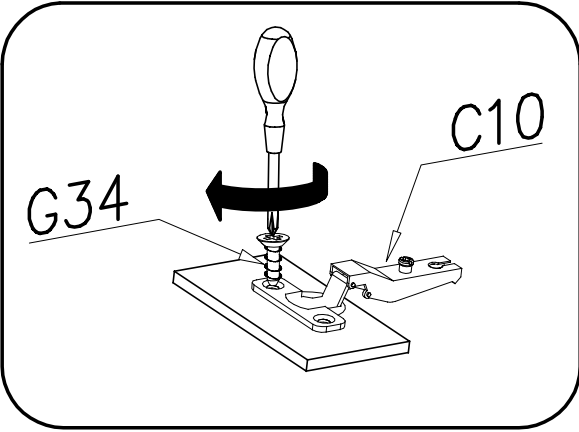





XVIII

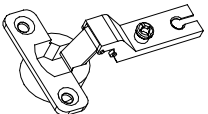
G34  3,5x16 x8

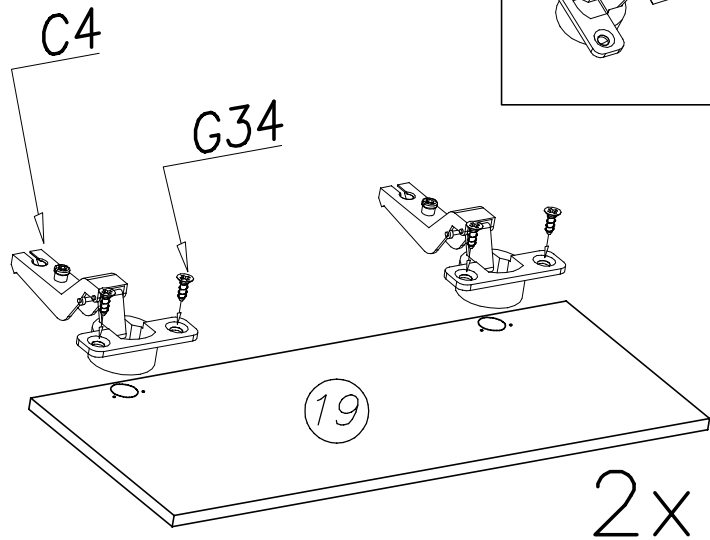
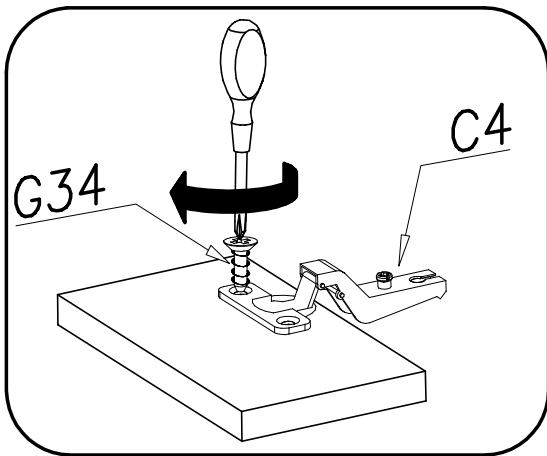
C10  ø35  
Z35PL x4



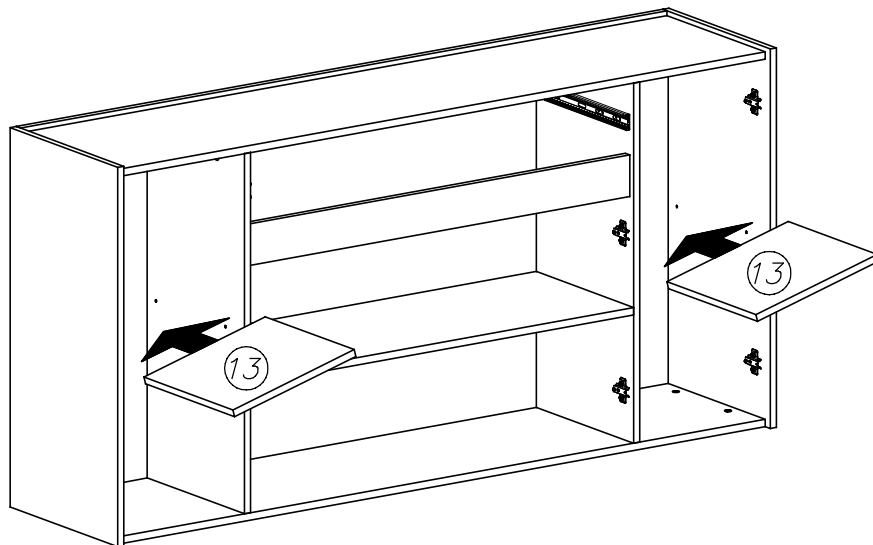
XIX

G34  3,5x16 x8

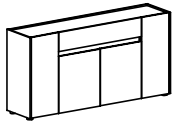
C4  ø35  
x4



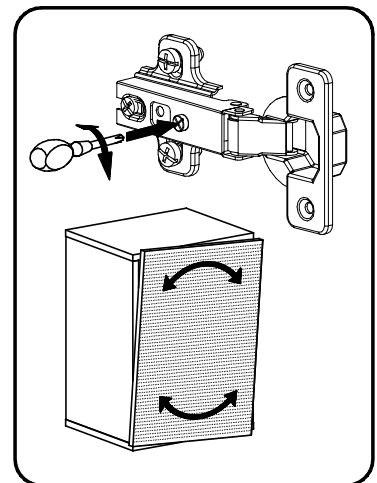
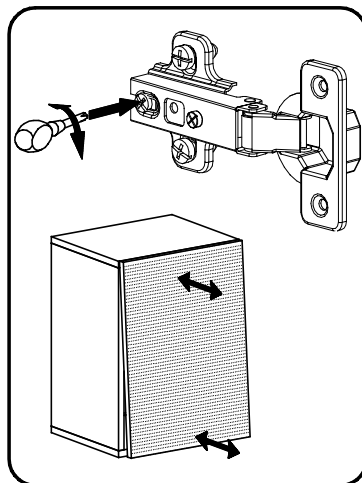
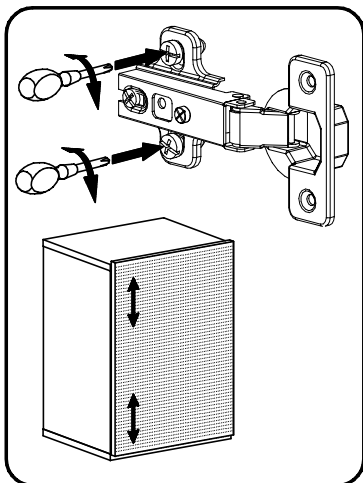
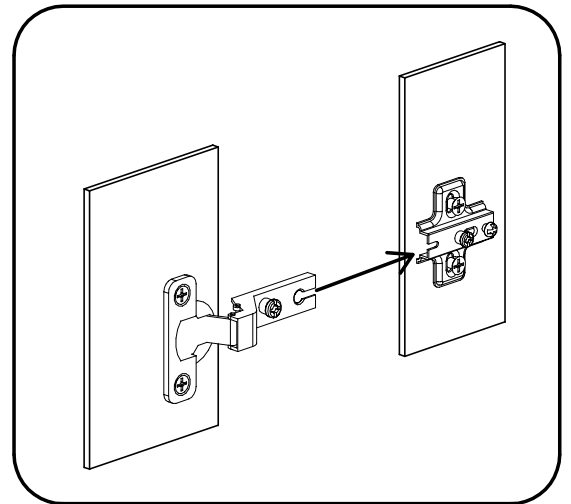
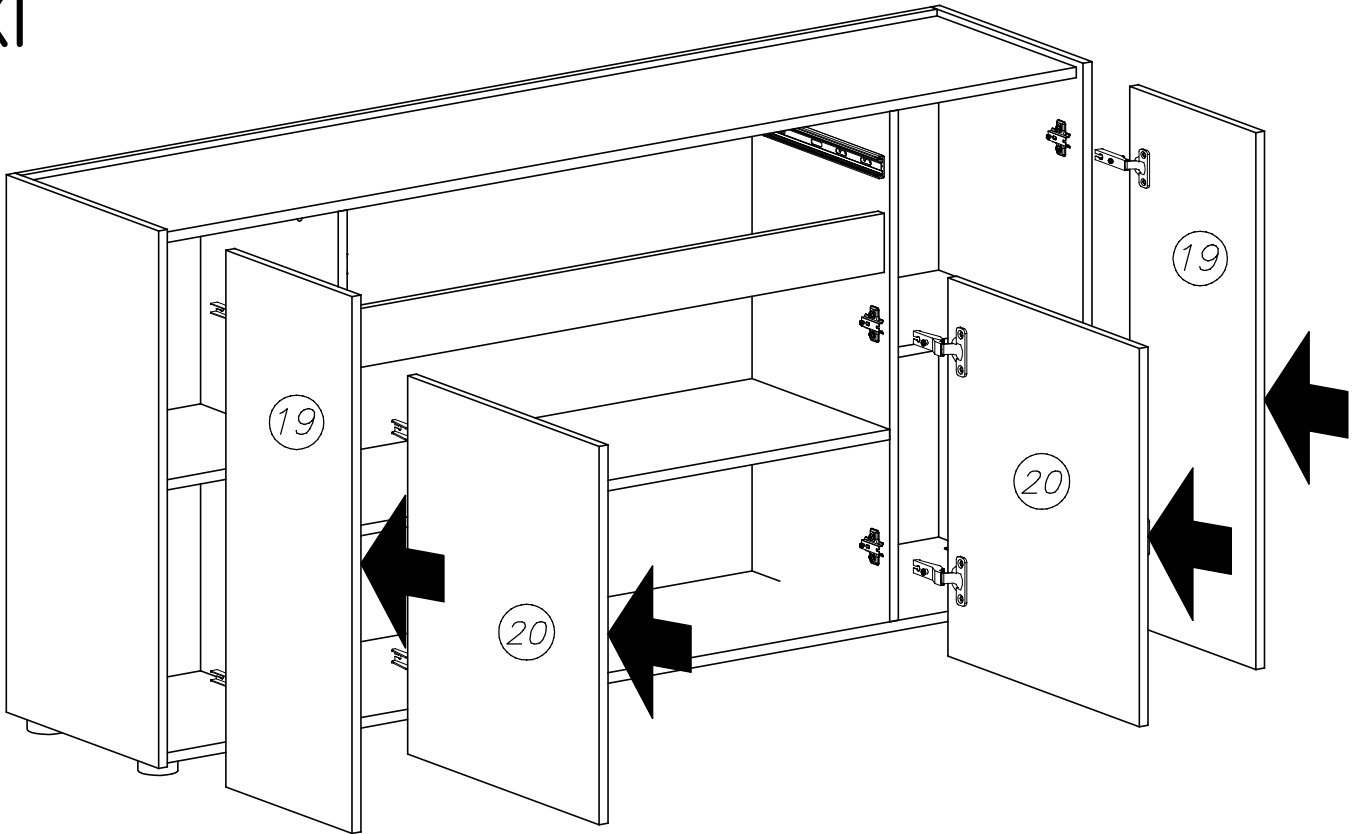
XX

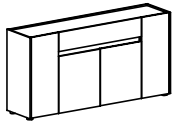






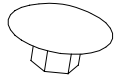
XXI





XXII

17



ø18

x24

