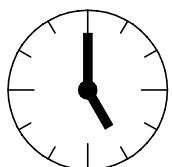
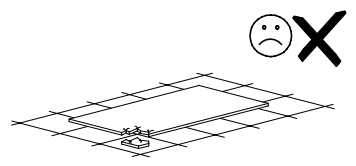
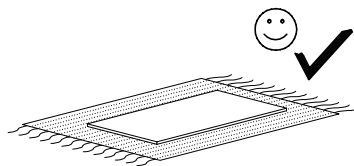
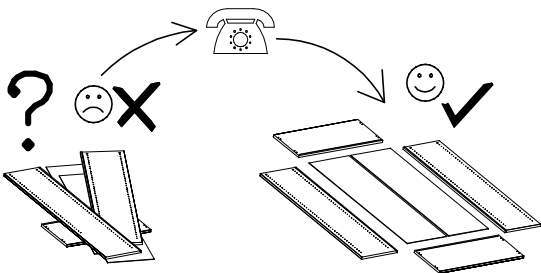
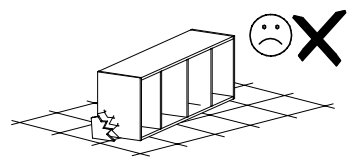
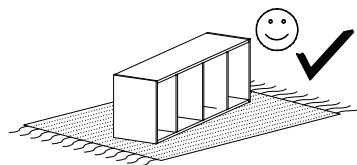
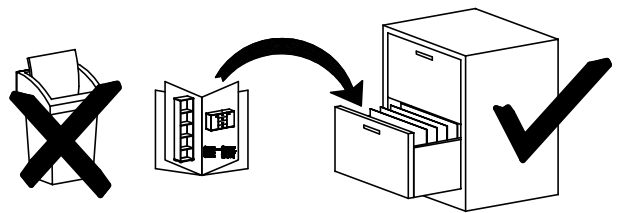
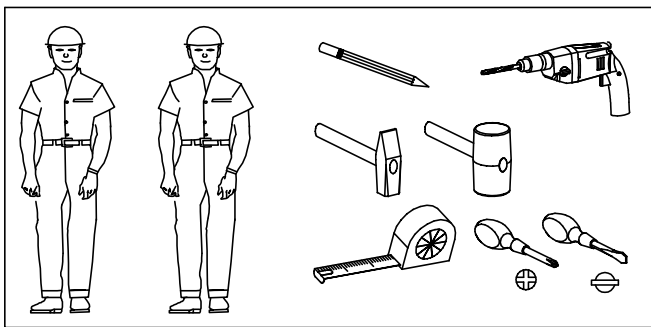
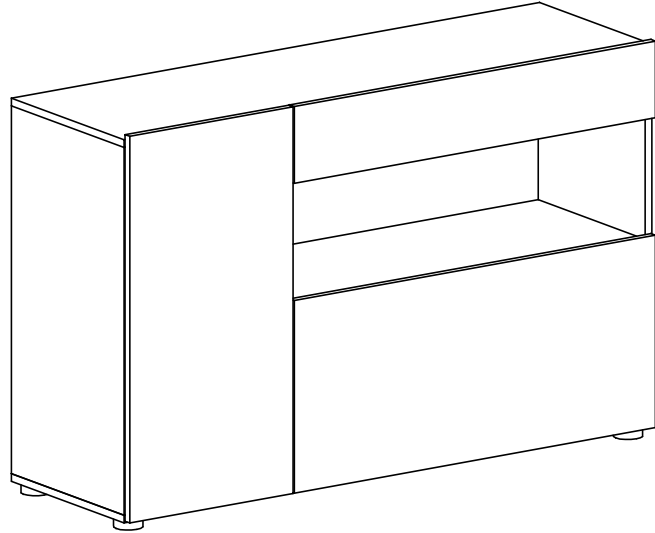
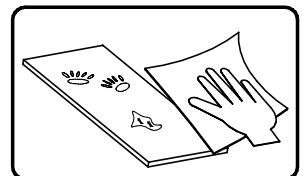
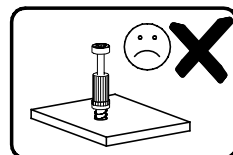
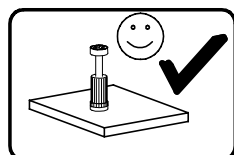
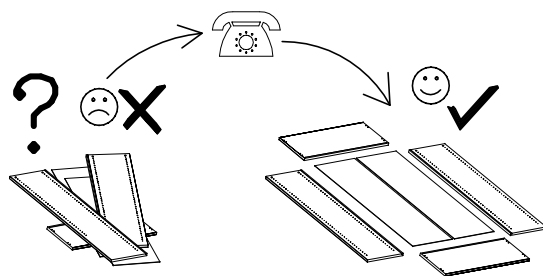
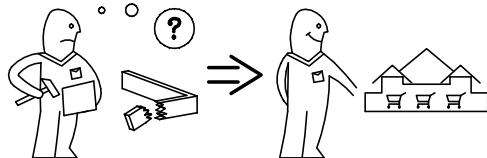
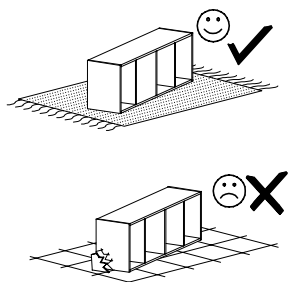


JOHNNY



1,5h





nr	L[mm]	B[mm]	T[mm]	Menge	Colli
1	1300	396	16	1	2/2
2	1300	396	16	1	2/2
3	768	396	16	1	1/2
4	768	396	16	1	1/2
5	768	376	16	1	1/2
6	380	328	16	2	1/2
7	871	376	16	1	2/2
8	889	160	16	1	1/2

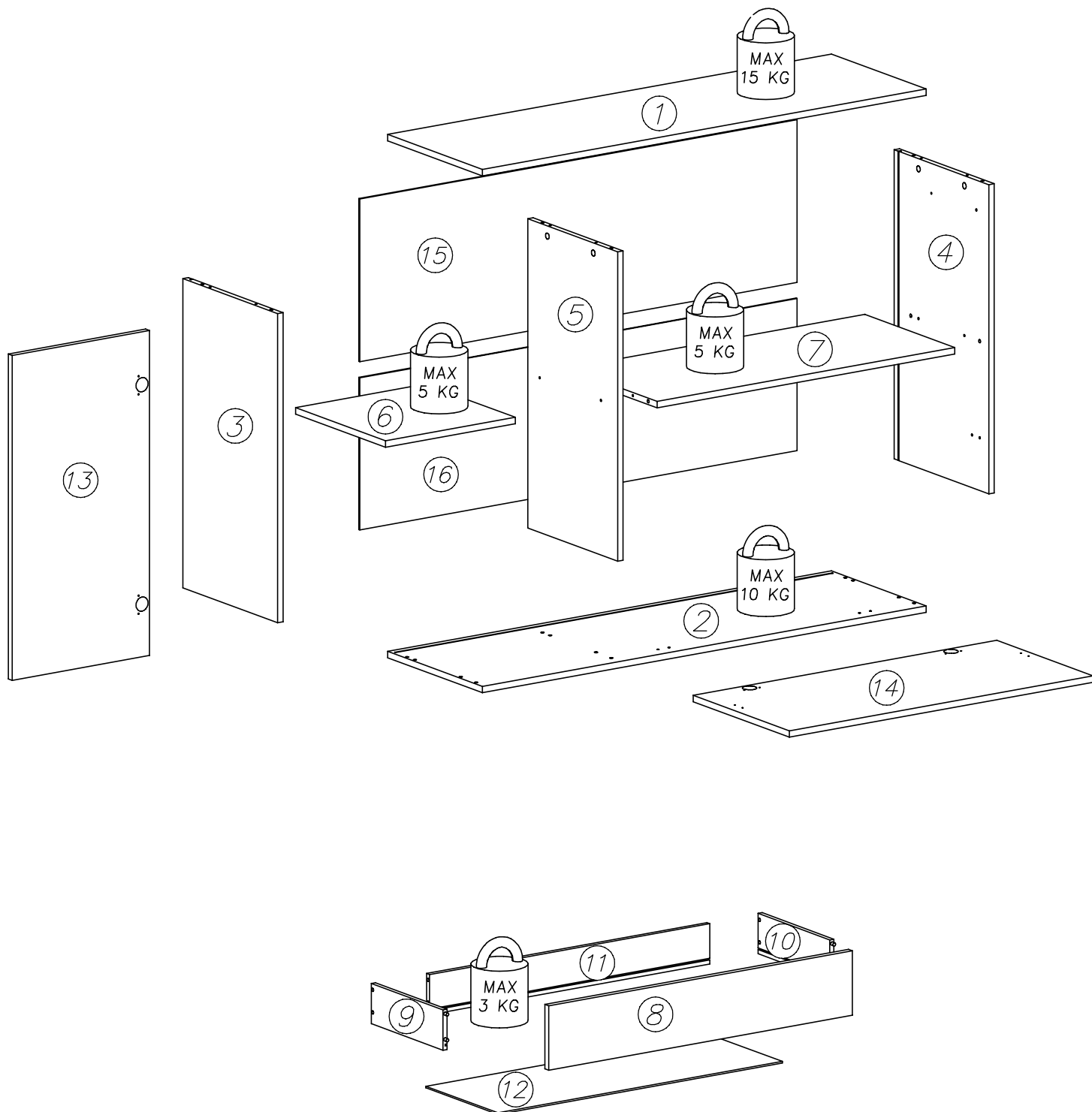
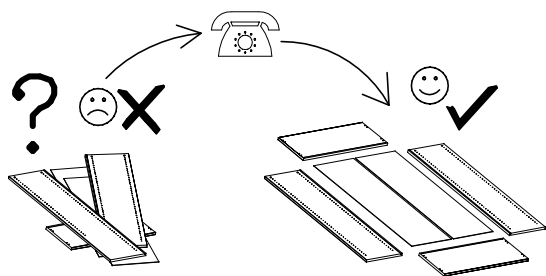
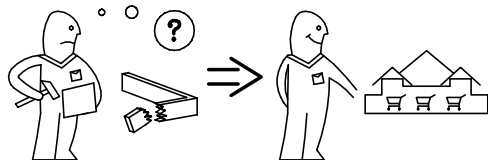
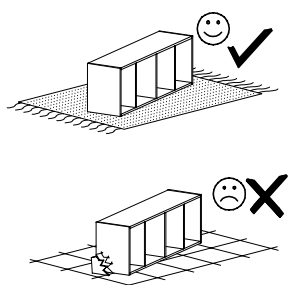
nr	L[mm]	B[mm]	T[mm]	Menge	Colli
9	300	100	12	1	1/2
10	300	100	12	1	1/2
11	821	100	12	1	1/2
12	831	301	3	1	1/2
13	807	402	16	1	1/2
14	889	402	16	1	1/2
15	1279	403	3	1	2/2
16	1279	377	3	1	2/2

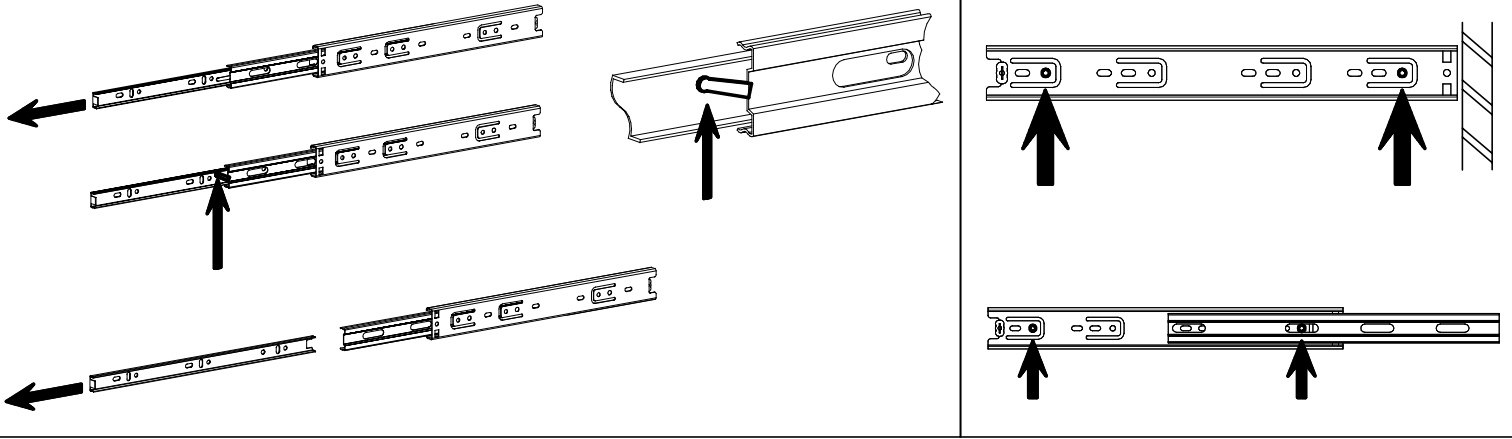
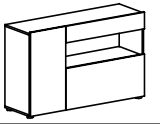


M8

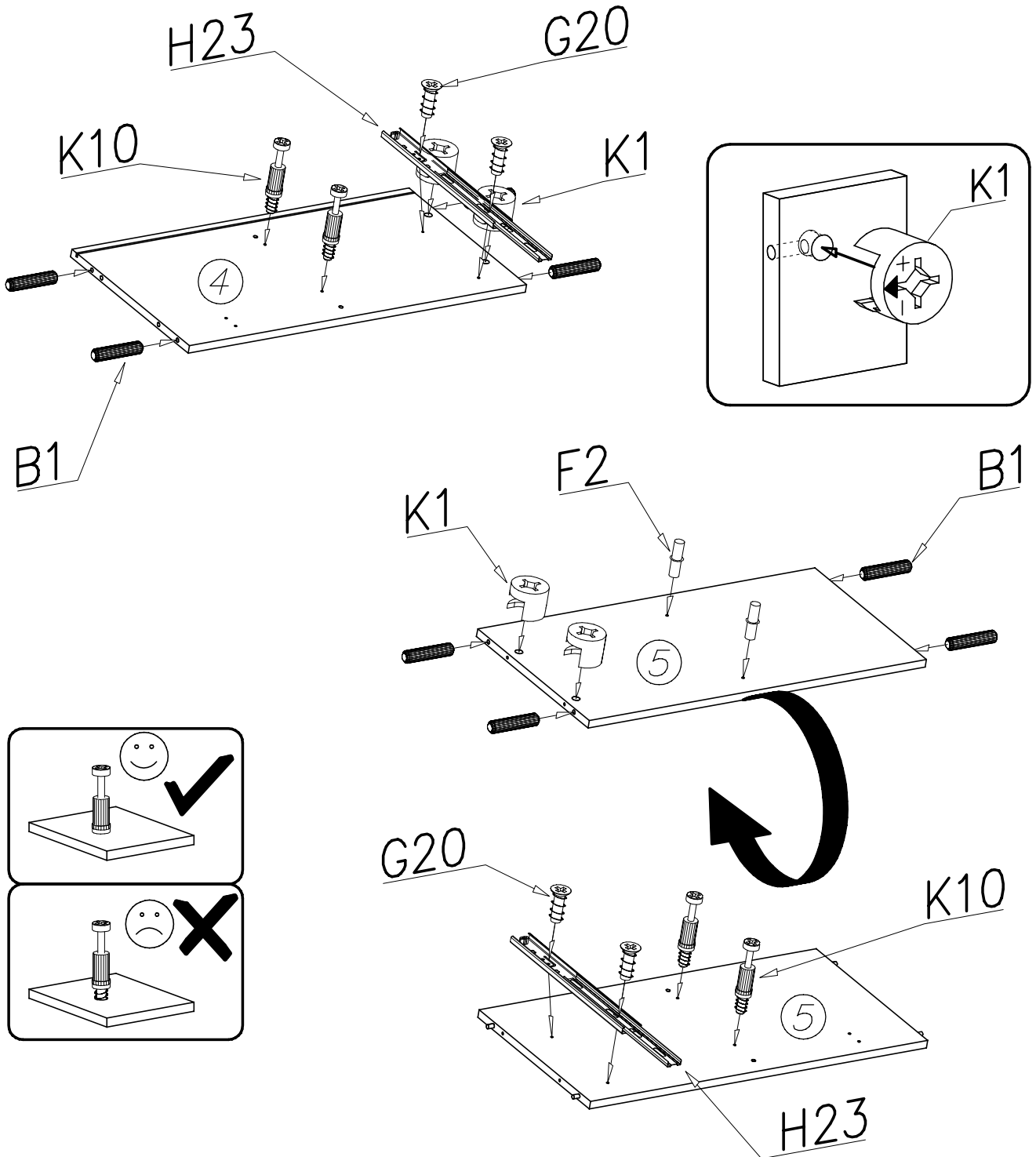


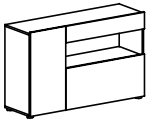
L6 x...(2)	G20 5x13 x...(8)	W2 x...(1)	A1 Ø7x50 x...(6)	A6 Ø7x40 x...(4)
	G28 4x60 x...(1)	U6 Ø8x40 x...(1)	M11 x...(1)	F2 x...(4)
H23 H35-300mm x...(1)	G34 3,5x16 x...(32)	S2 x...(8)	P20 x...(5)	G12 4x25 x...(5)
	B1 Ø8x35 x...(16)	S1 379mm x...(1)	I1 x...(6)	W1 GLUE, LEIM, LEPIDLO, LIM x...(1)
K10 x...(10)	K1 Ø15x12 x...(10)	C3 Z35PR x...(4)	D3 PZ35PR x...(4)	I7 x...(10)



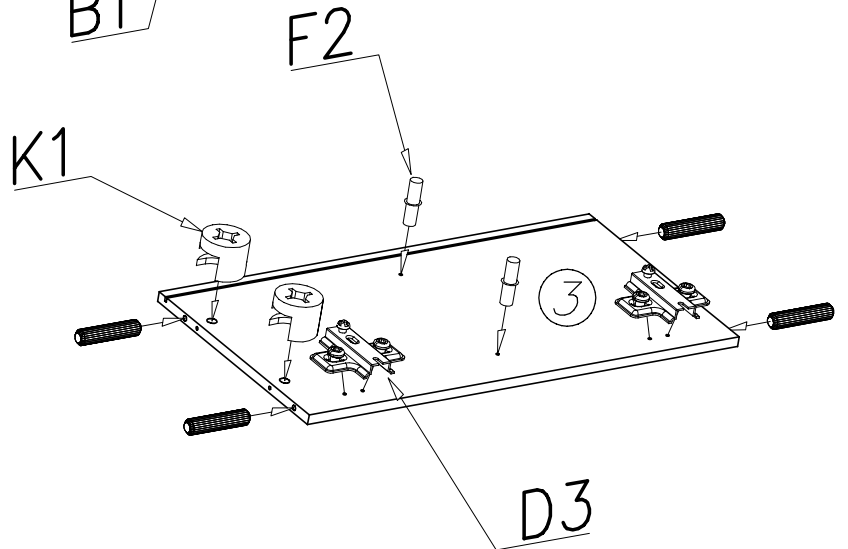
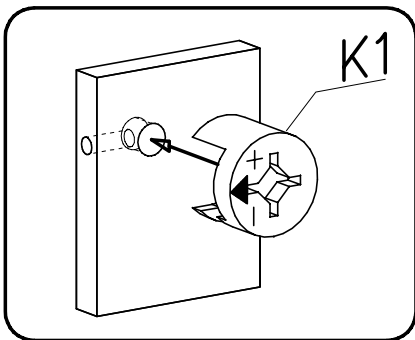
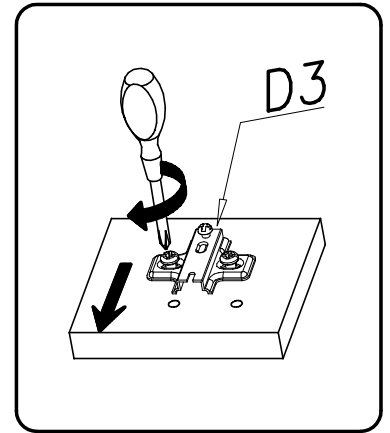
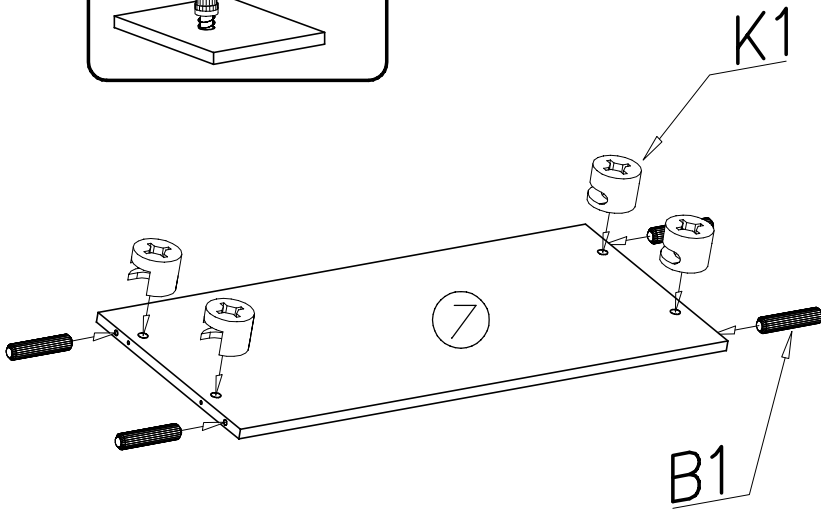
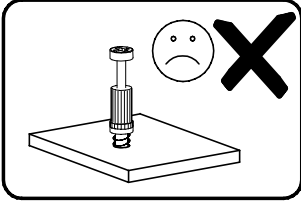
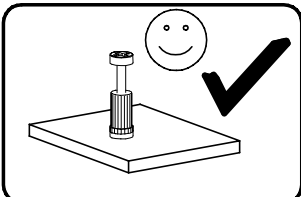
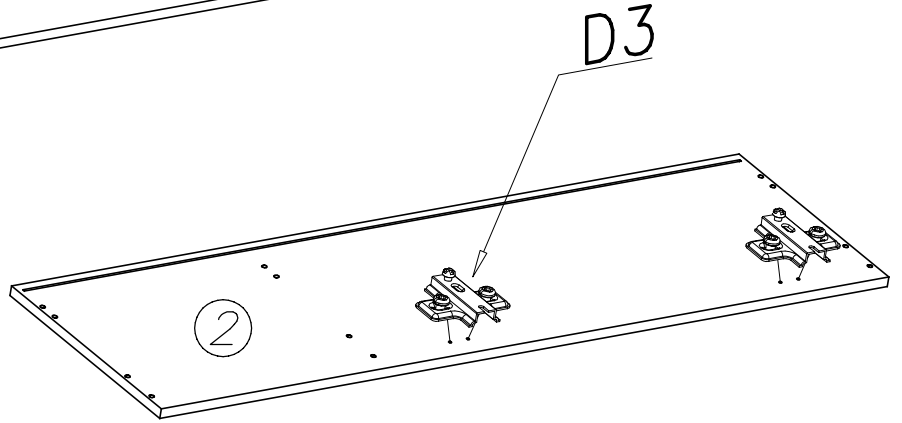
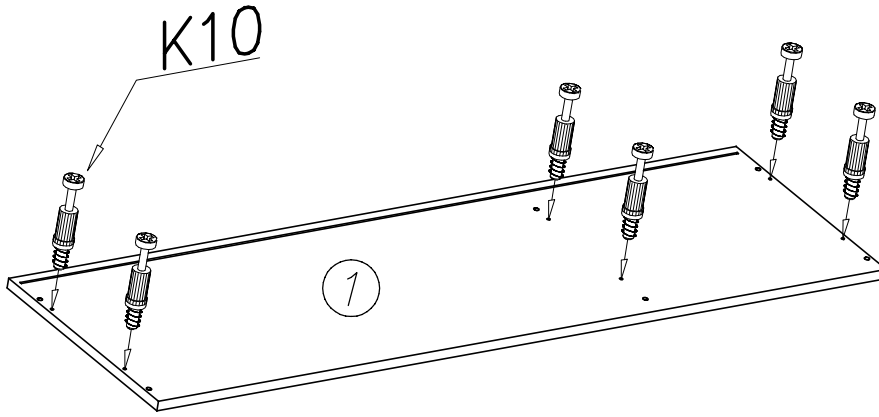


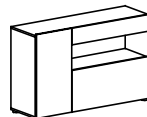
I



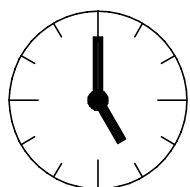
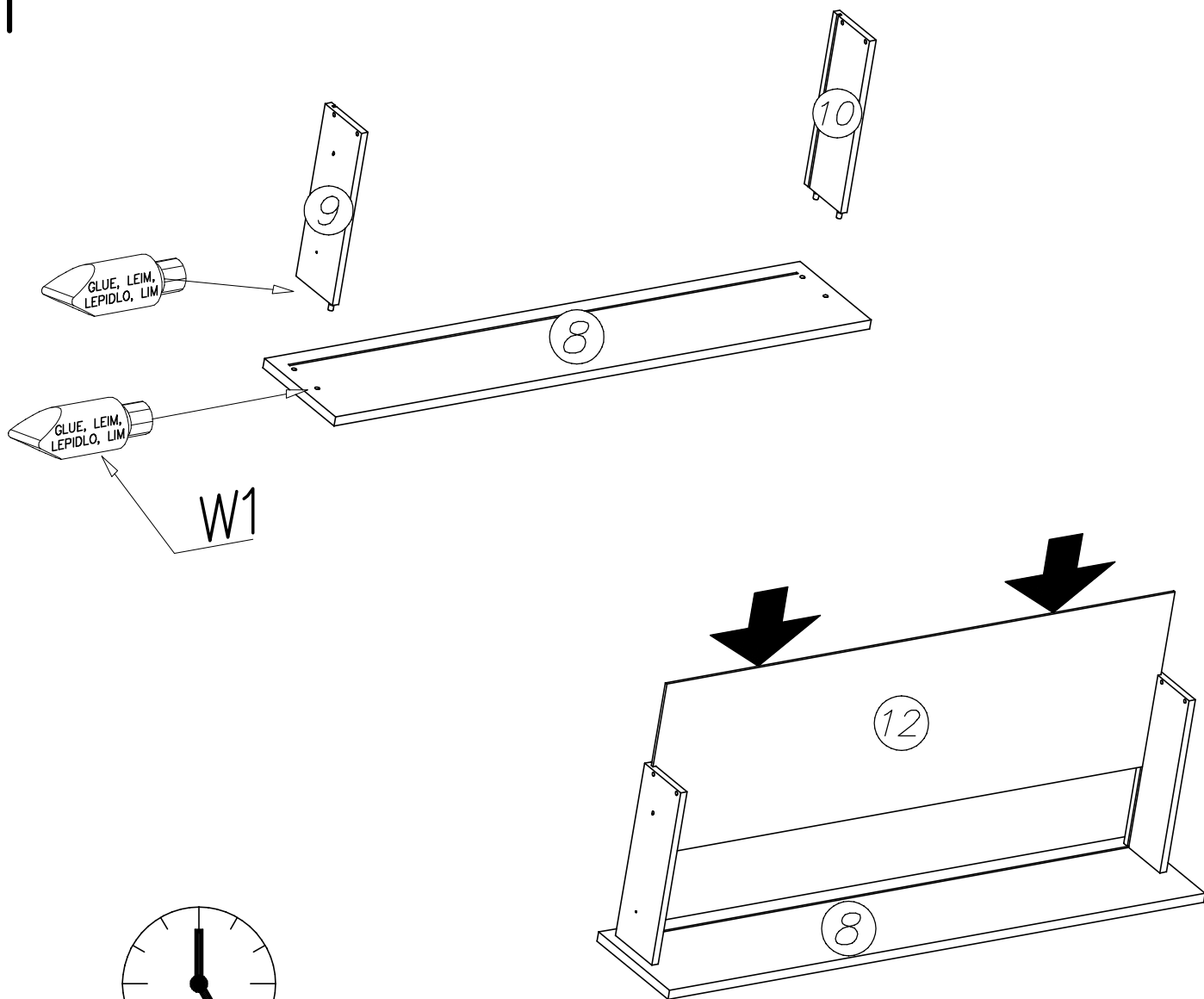


II

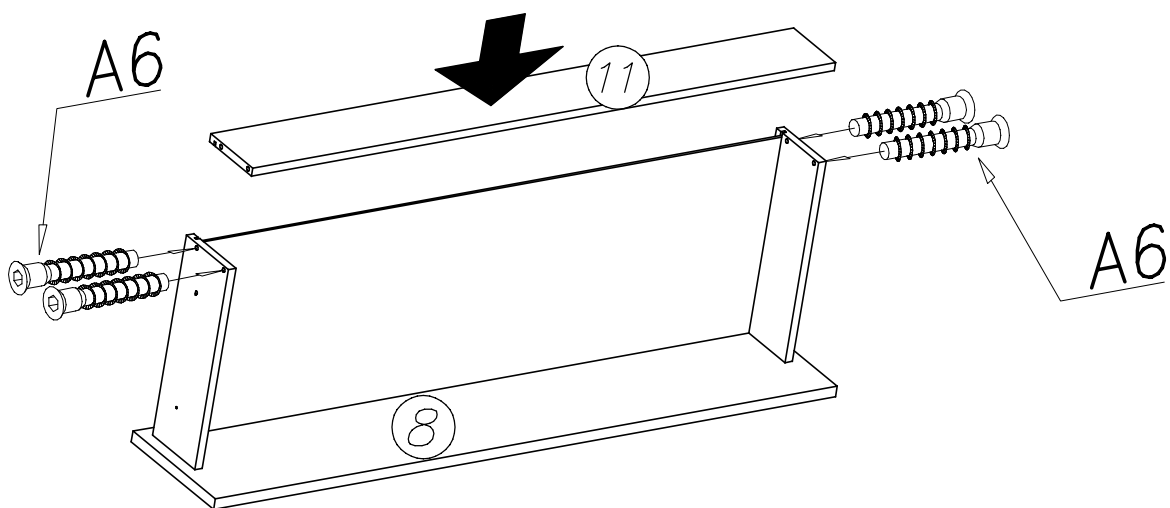


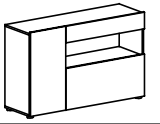


III

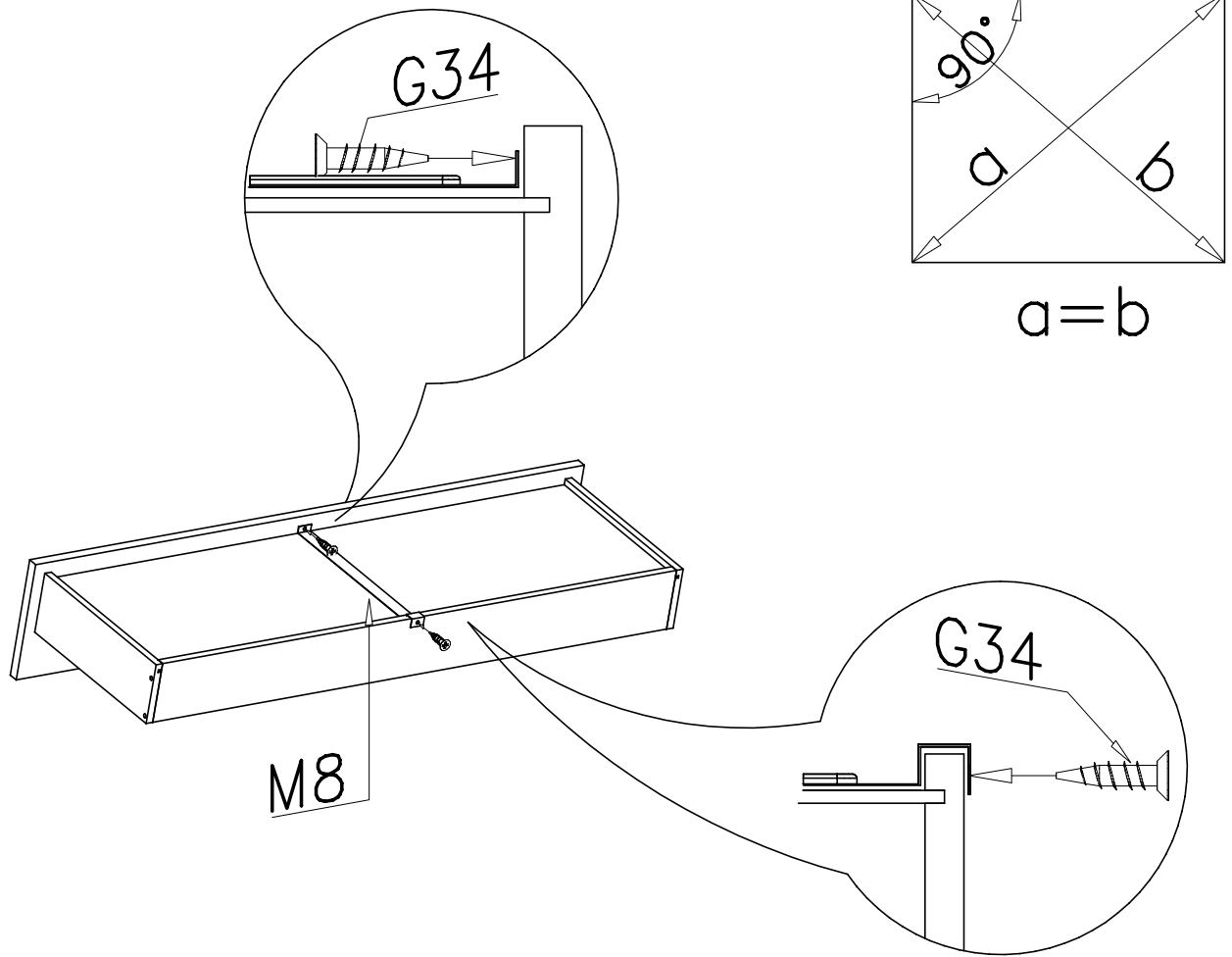


0,5h

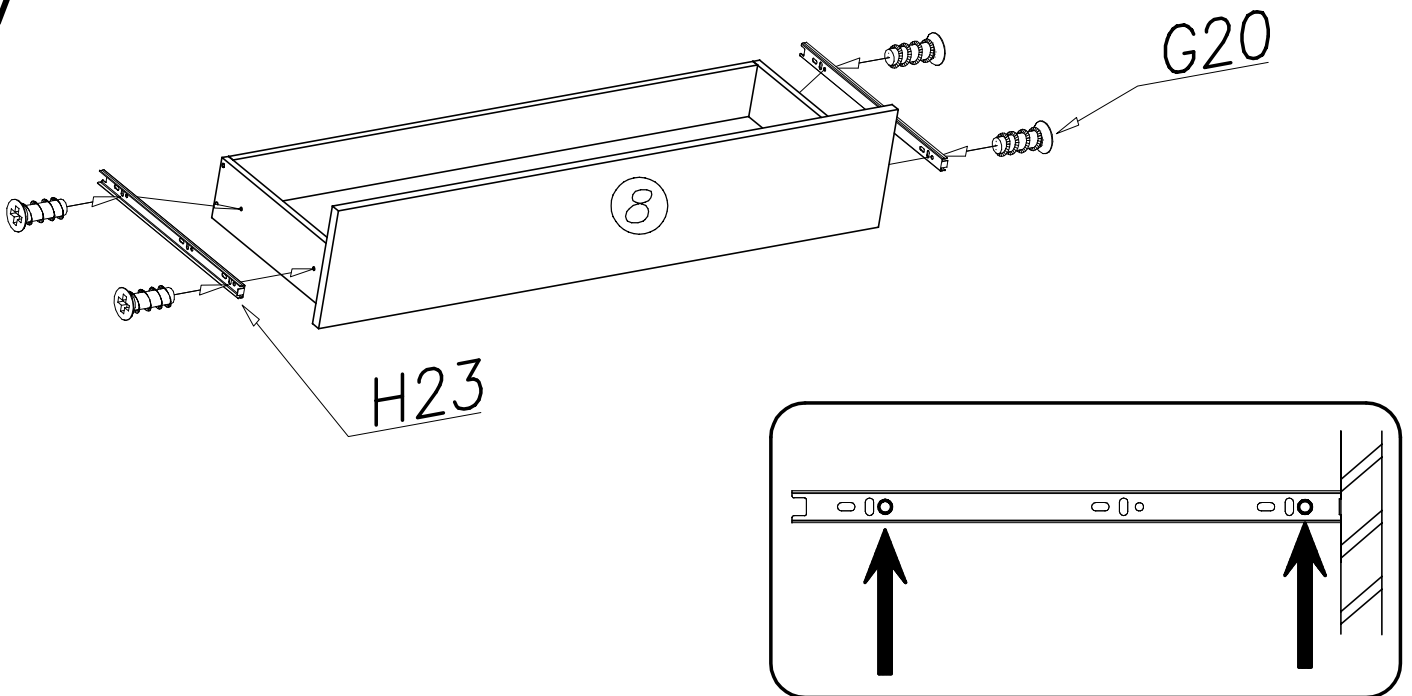


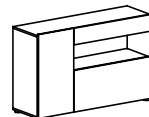


IV

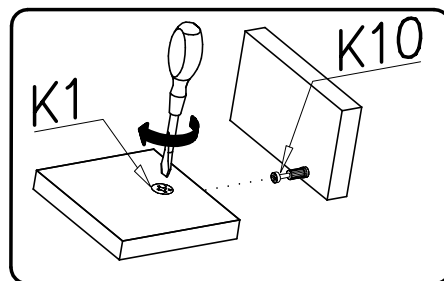
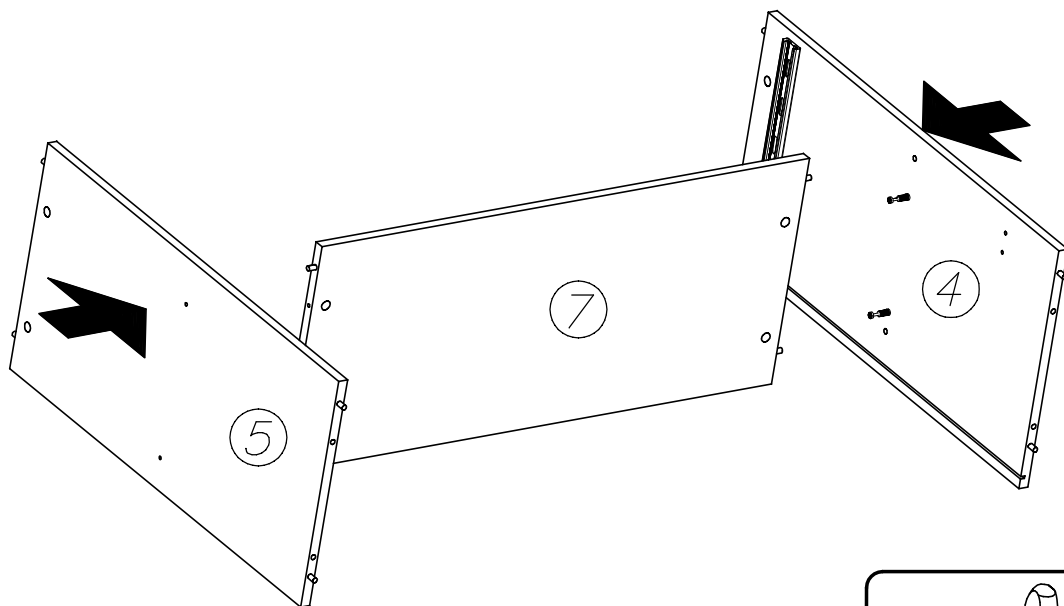


V

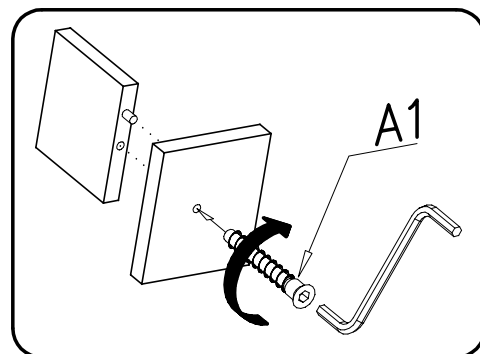
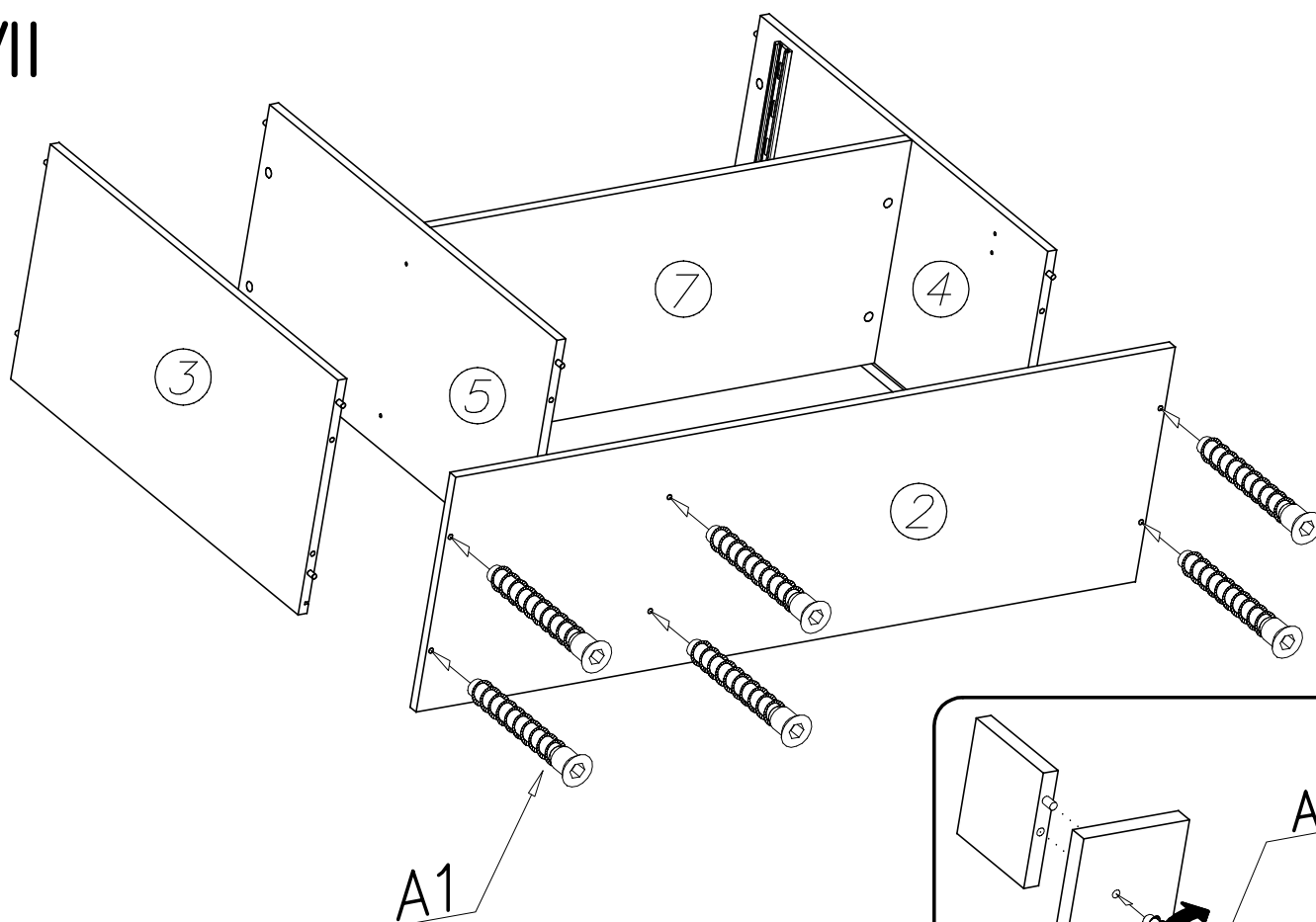


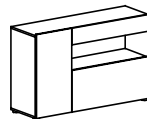


VI

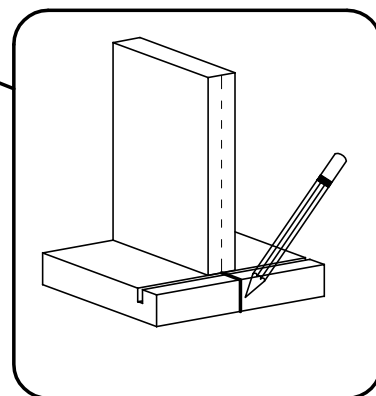
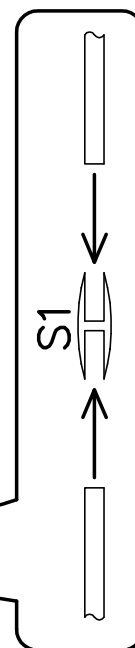
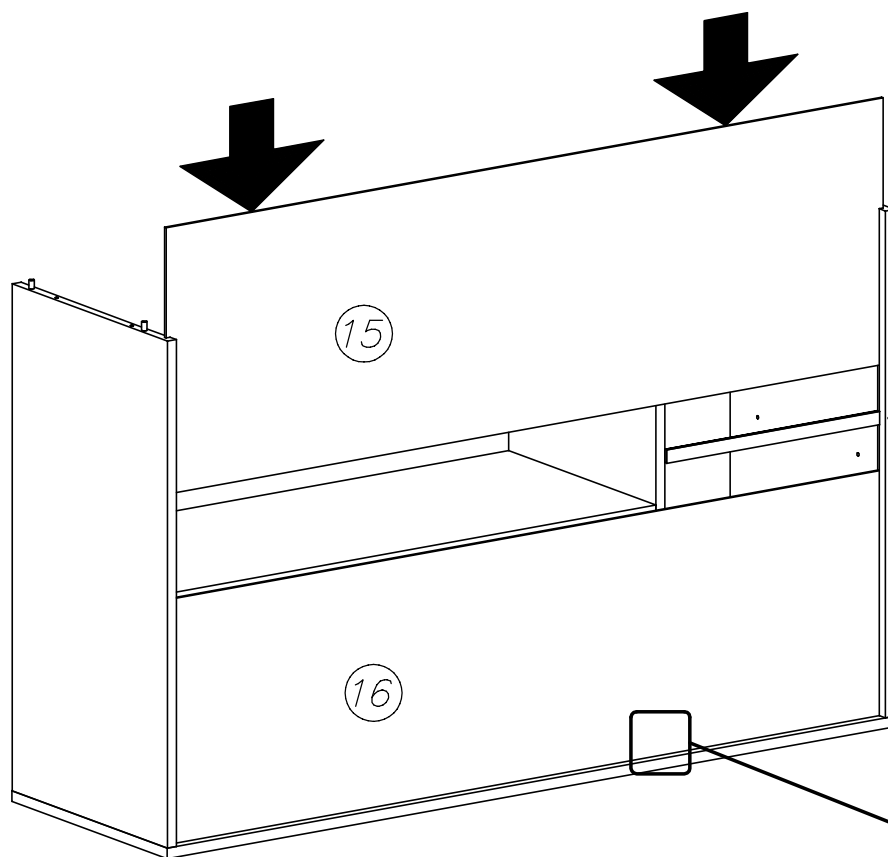


VII

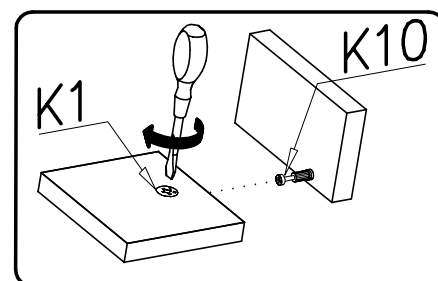
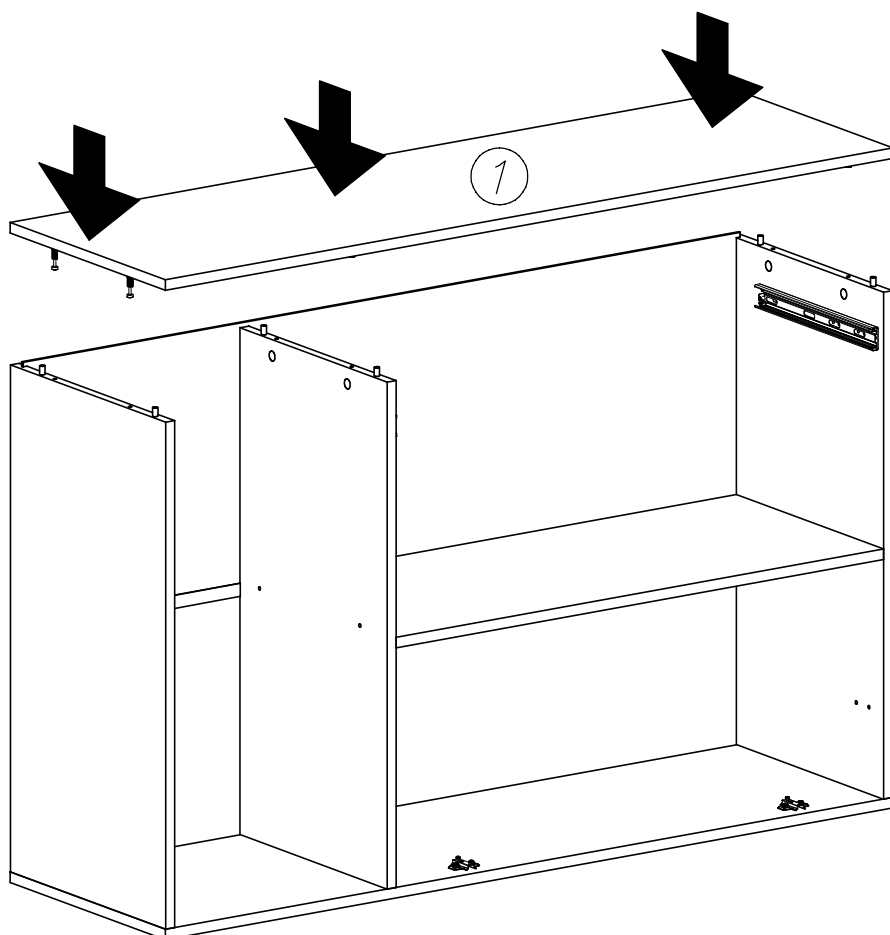


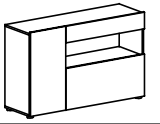


VIII

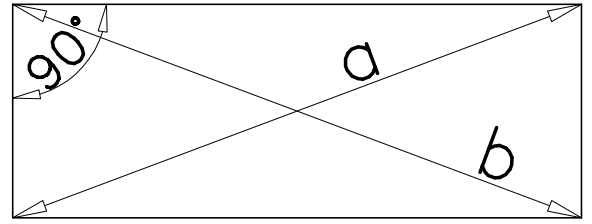
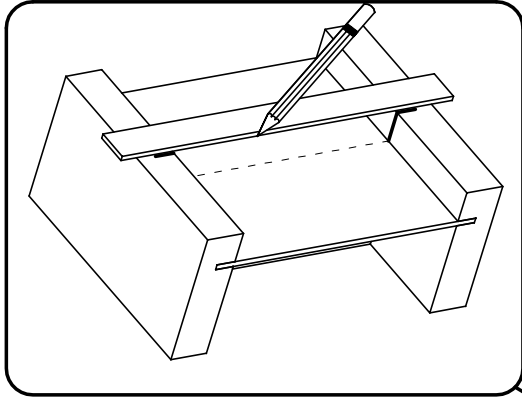


IX



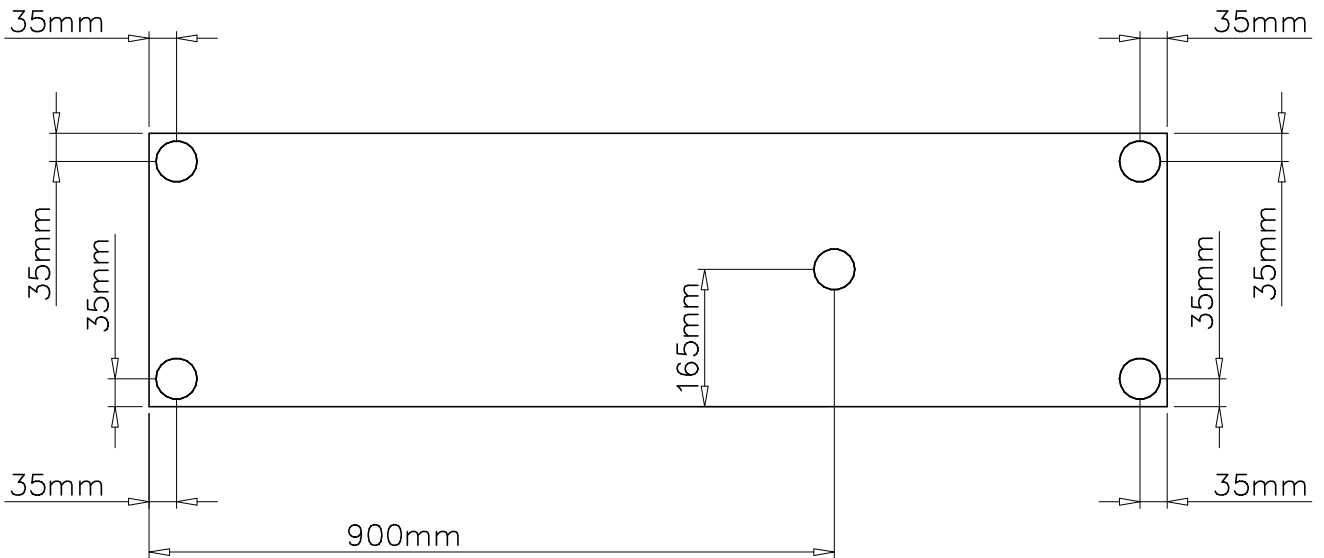
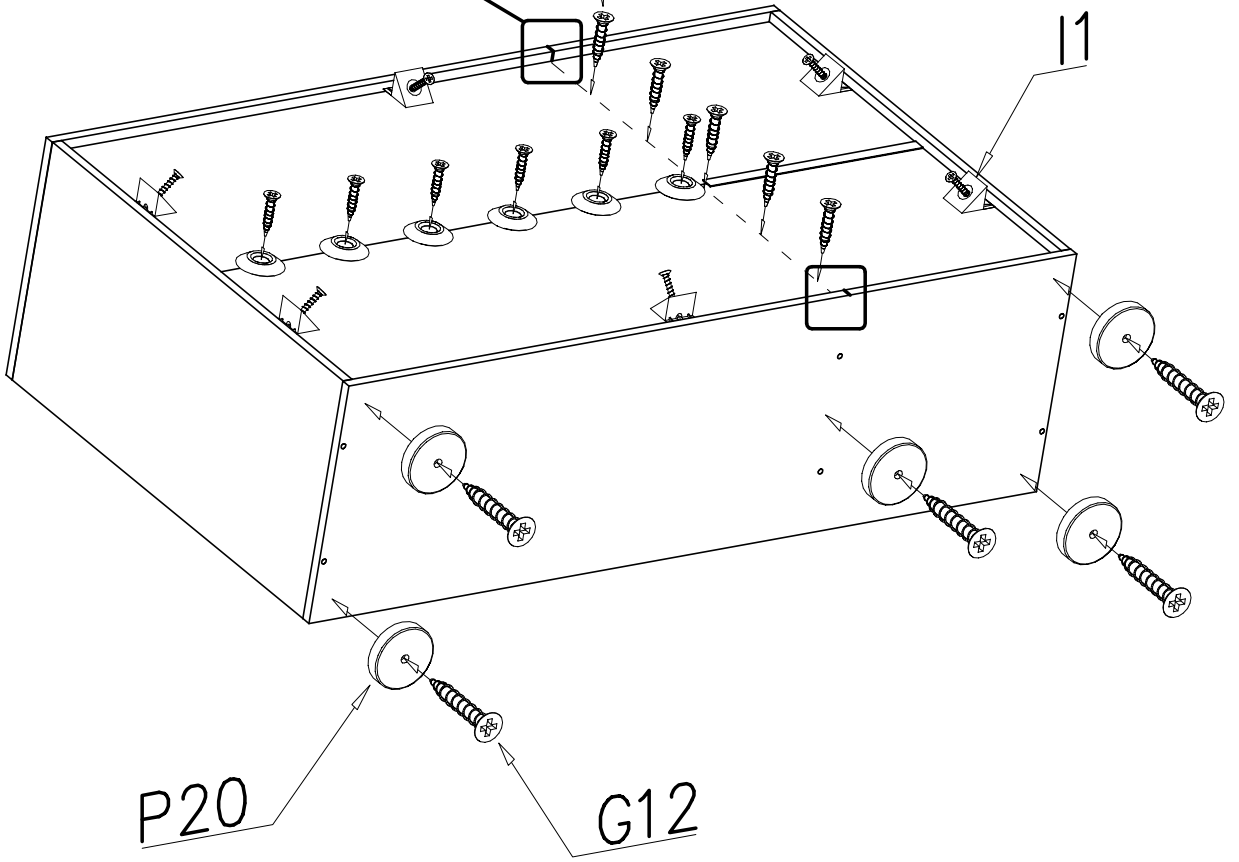


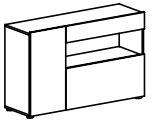
X



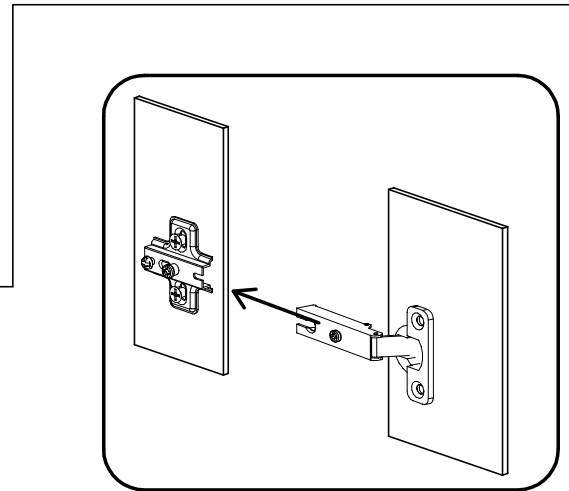
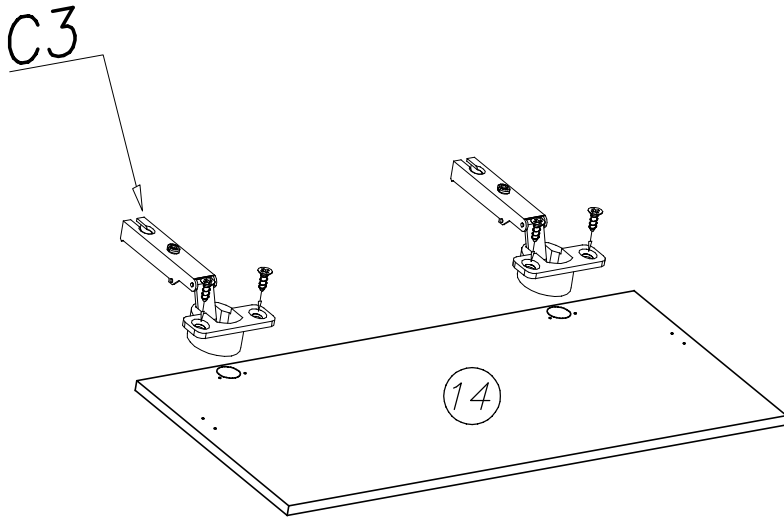
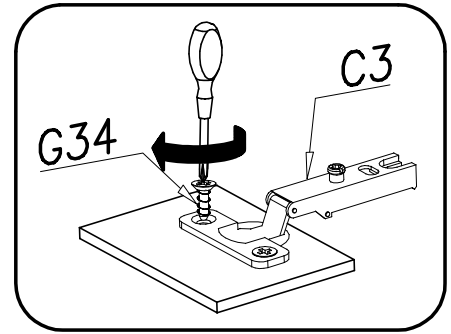
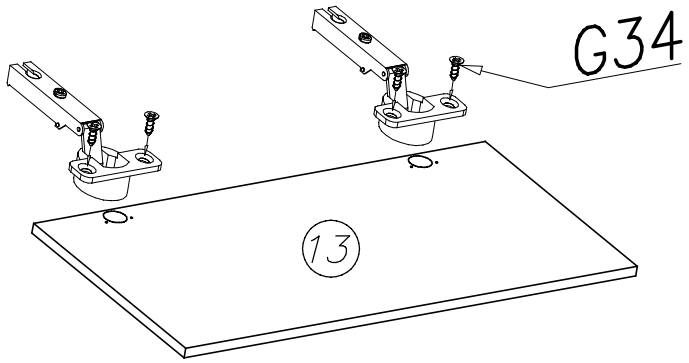
$a=b$

G34

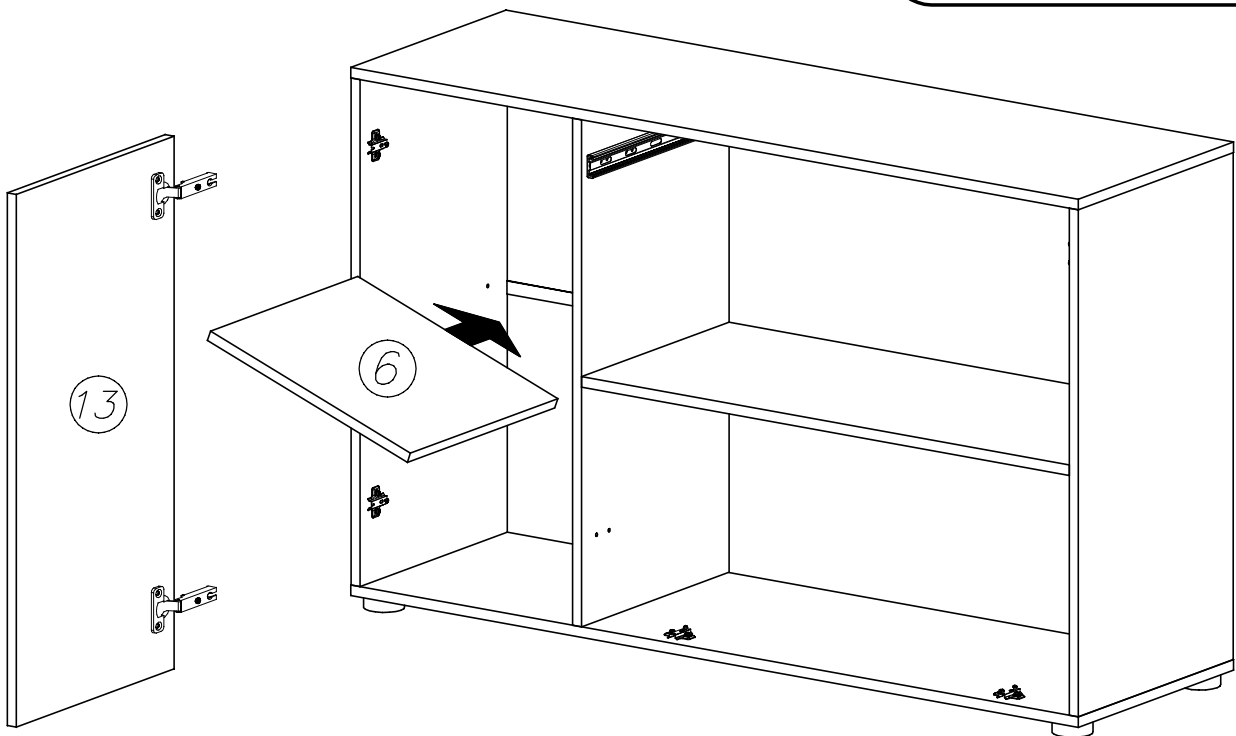


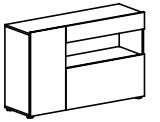


XI

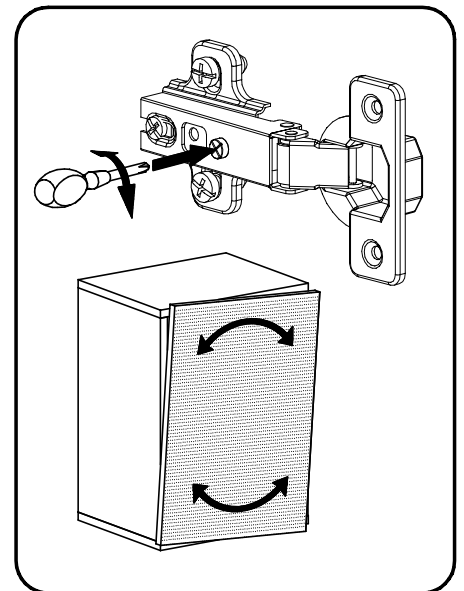
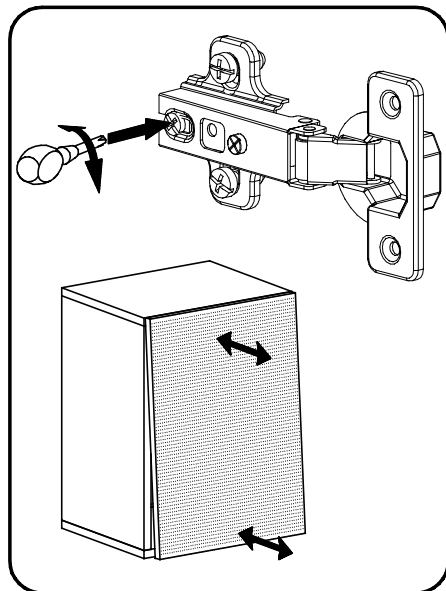
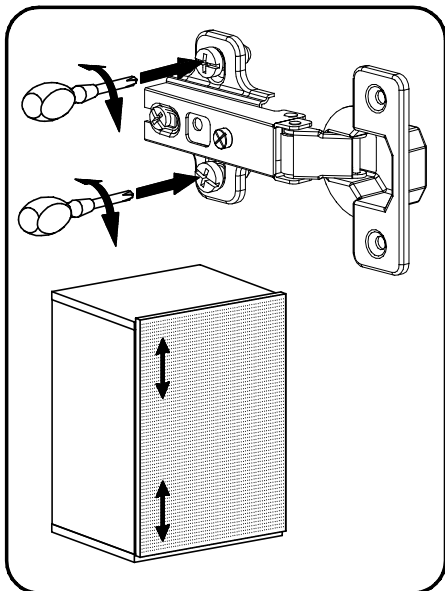
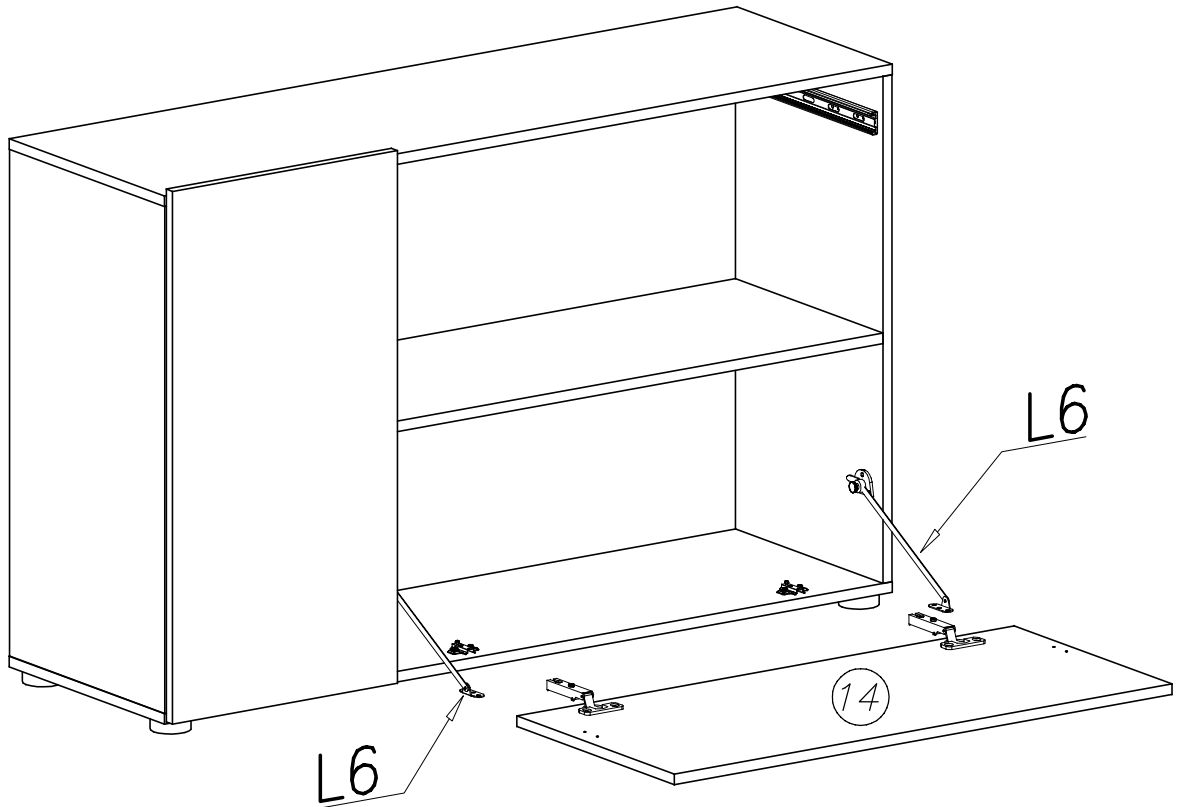
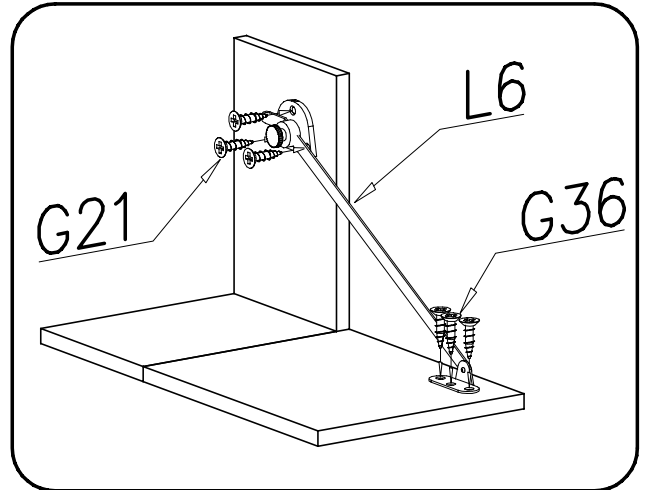
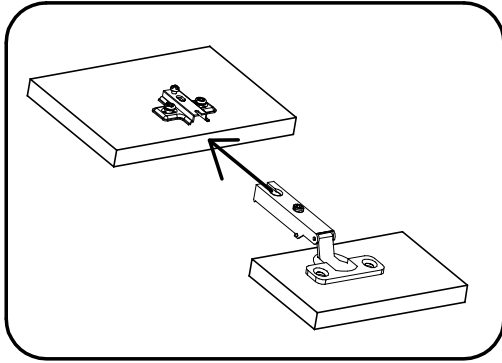


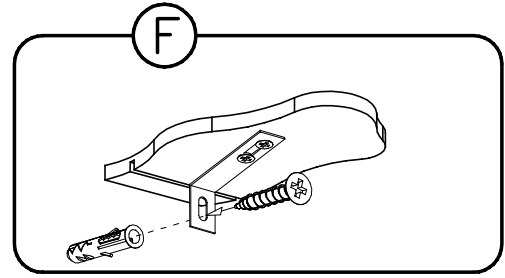
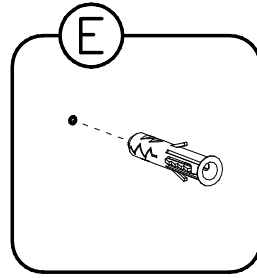
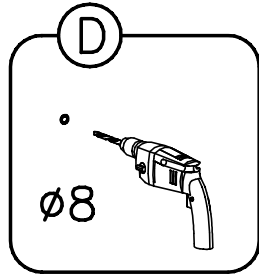
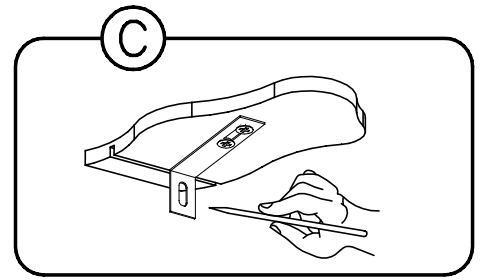
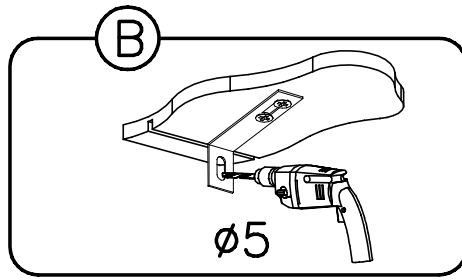
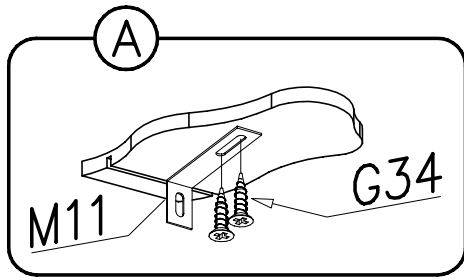
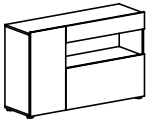
XII





XIII





XIV

