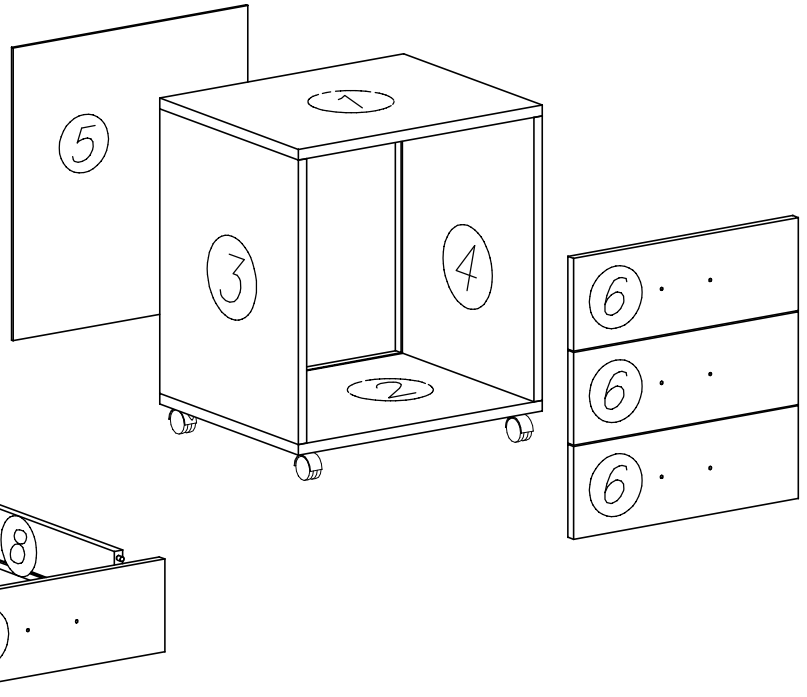
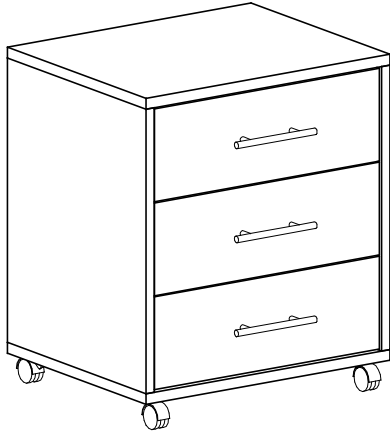
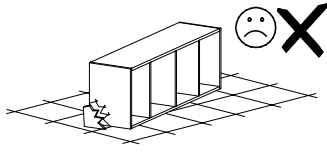
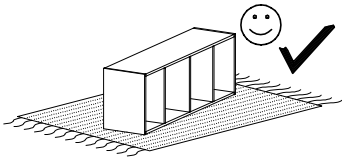
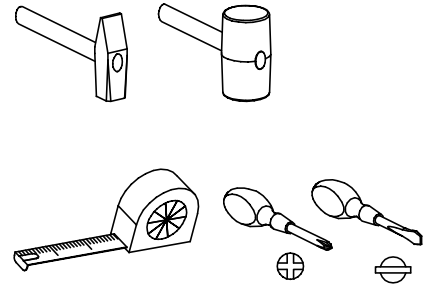
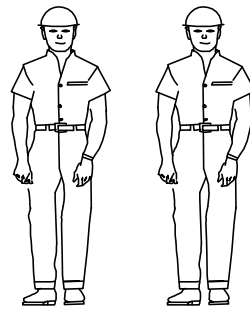
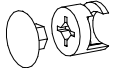
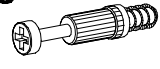

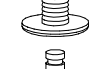
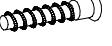



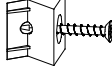
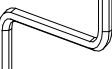

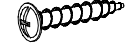
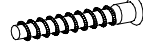



1/2

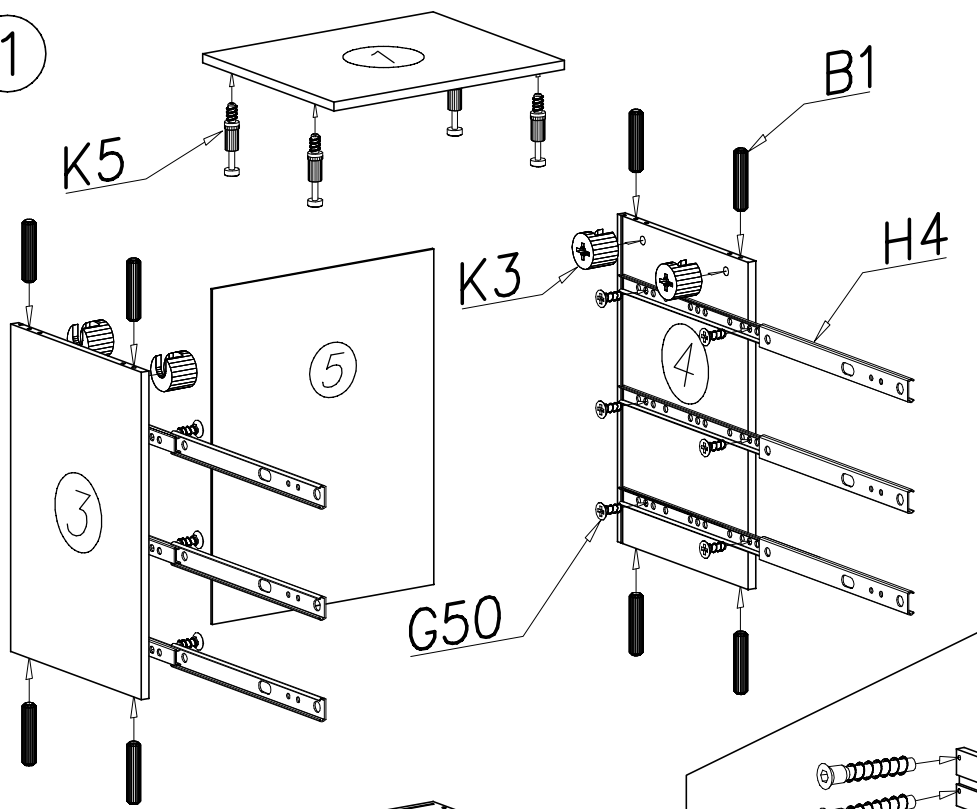
OMEGA

Rollcontainer

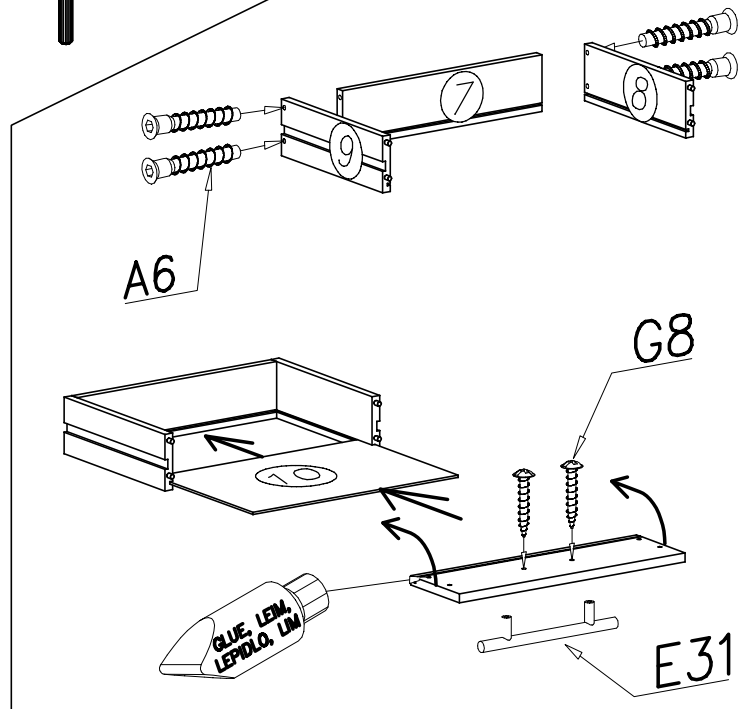
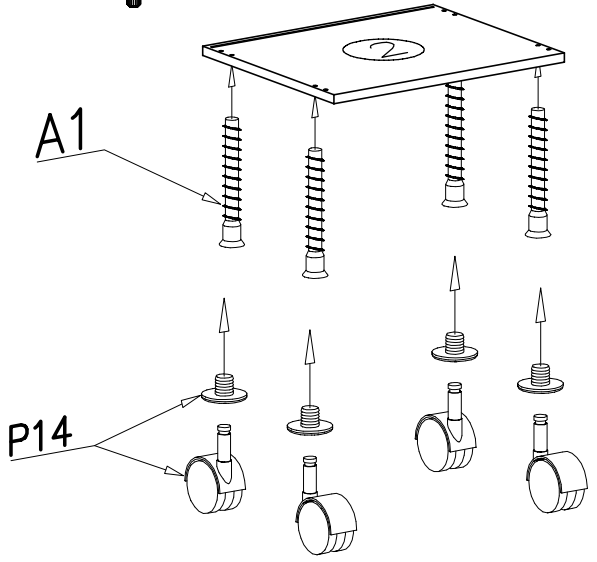


K3  $\varnothing 15 \times 14$ x4	K5  x4	W1  x2	P14  x4
A6  $\varnothing 7 \times 40$ x12	E31  128mm x3	H4  350mm x6	G50  6 x 13 x12
I1  x4	W2  x1	B1  $\varnothing 8 \times 35$ x8	G8  4 x 30 x6
A1  $\varnothing 7 \times 50$ x4	N1  M4 x 9 x6		

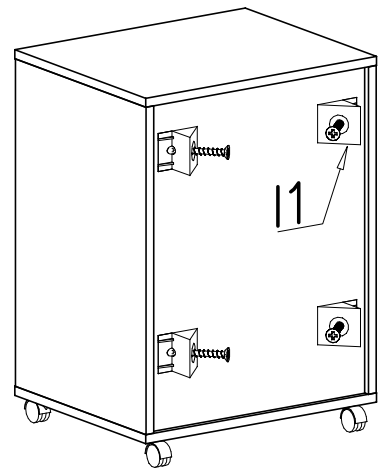
1



3



2



4

