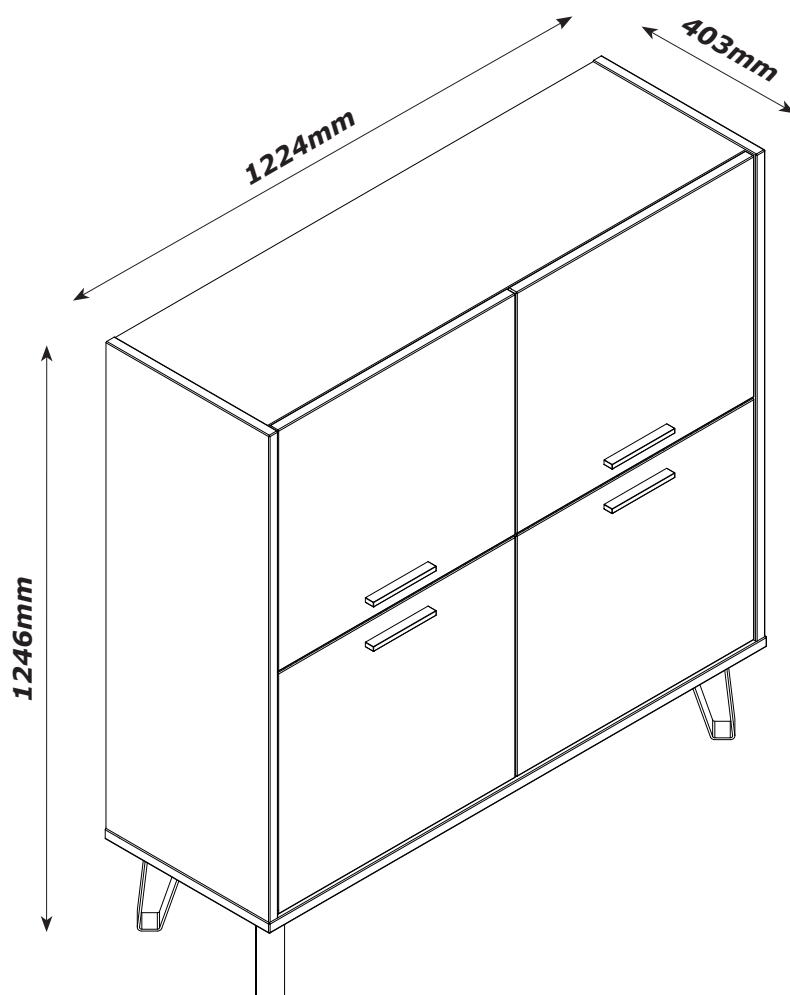
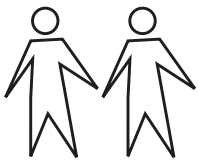


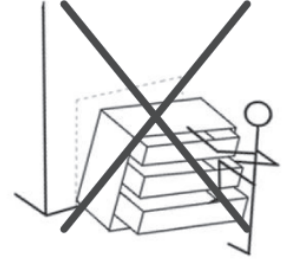
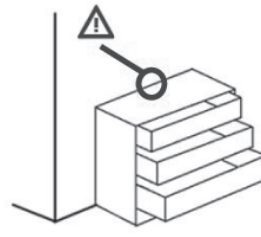
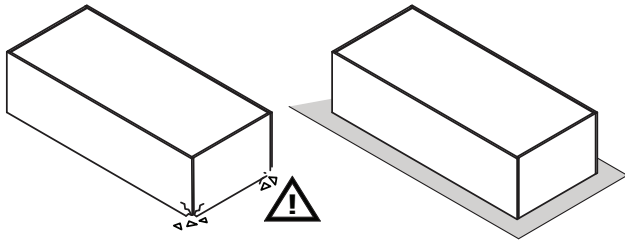
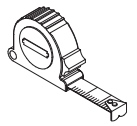
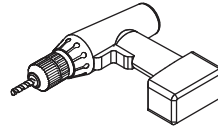
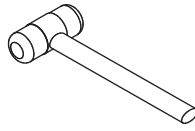
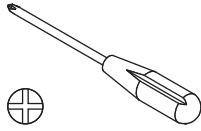
# BS4576K78204



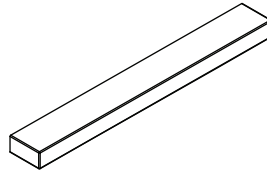
QF5664-3



1,5h



**BU4804**



**M203**  
x4

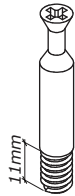
**BU4794**



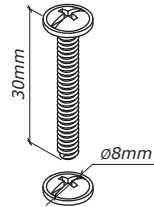
**T104**  
x2



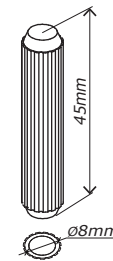
**T103**  
x4



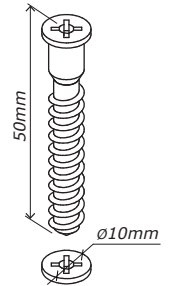
**T28**  
x10



**V35**  
x8



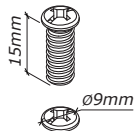
**H325**  
x20



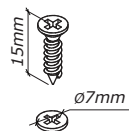
**V45**  
x6



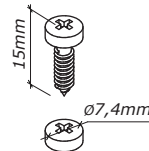
**T99**  
x14



**V138**  
x5



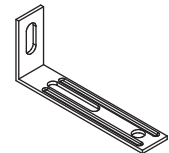
**V5**  
x20



**V81**  
x19



**H289**  
x4



**H185**  
x2



**H210**  
x8



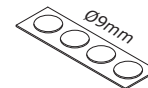
**H2**  
x16



**H129**  
x4



**R40**  
x16

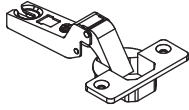


**G187**  
x8

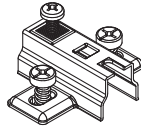


**H302**  
x5

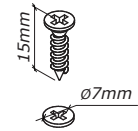
**BU4730 x2**



**C55**  
x4 [8]

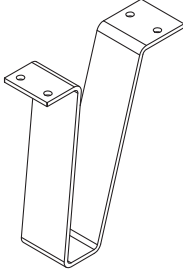


**B31**  
x4 [8]



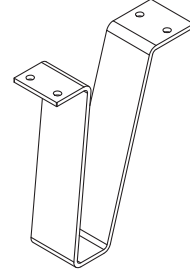
**V5**  
x8 [16]

**BU4593**

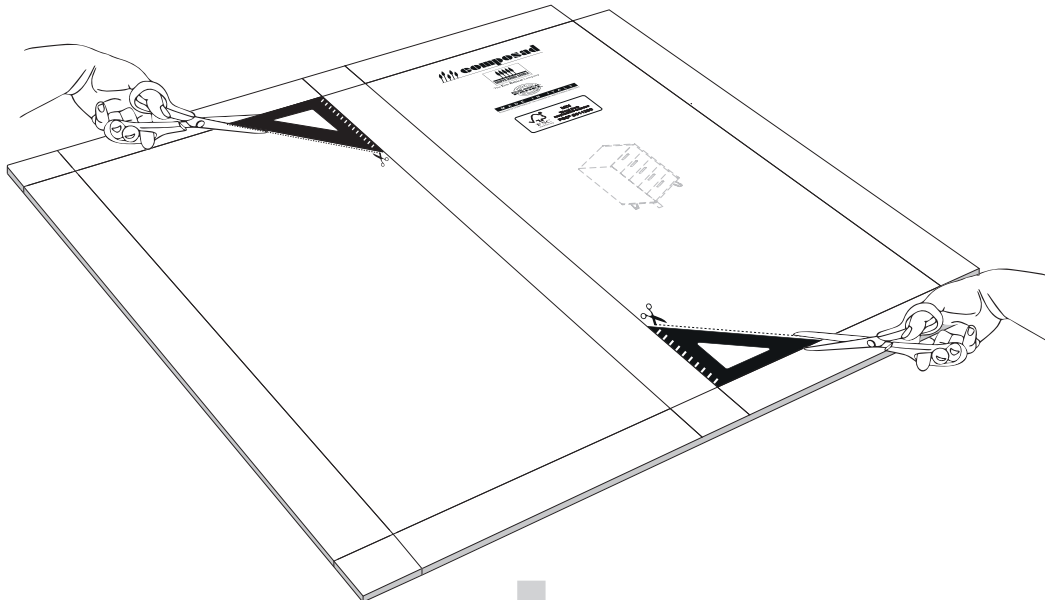


**P78**  
x2

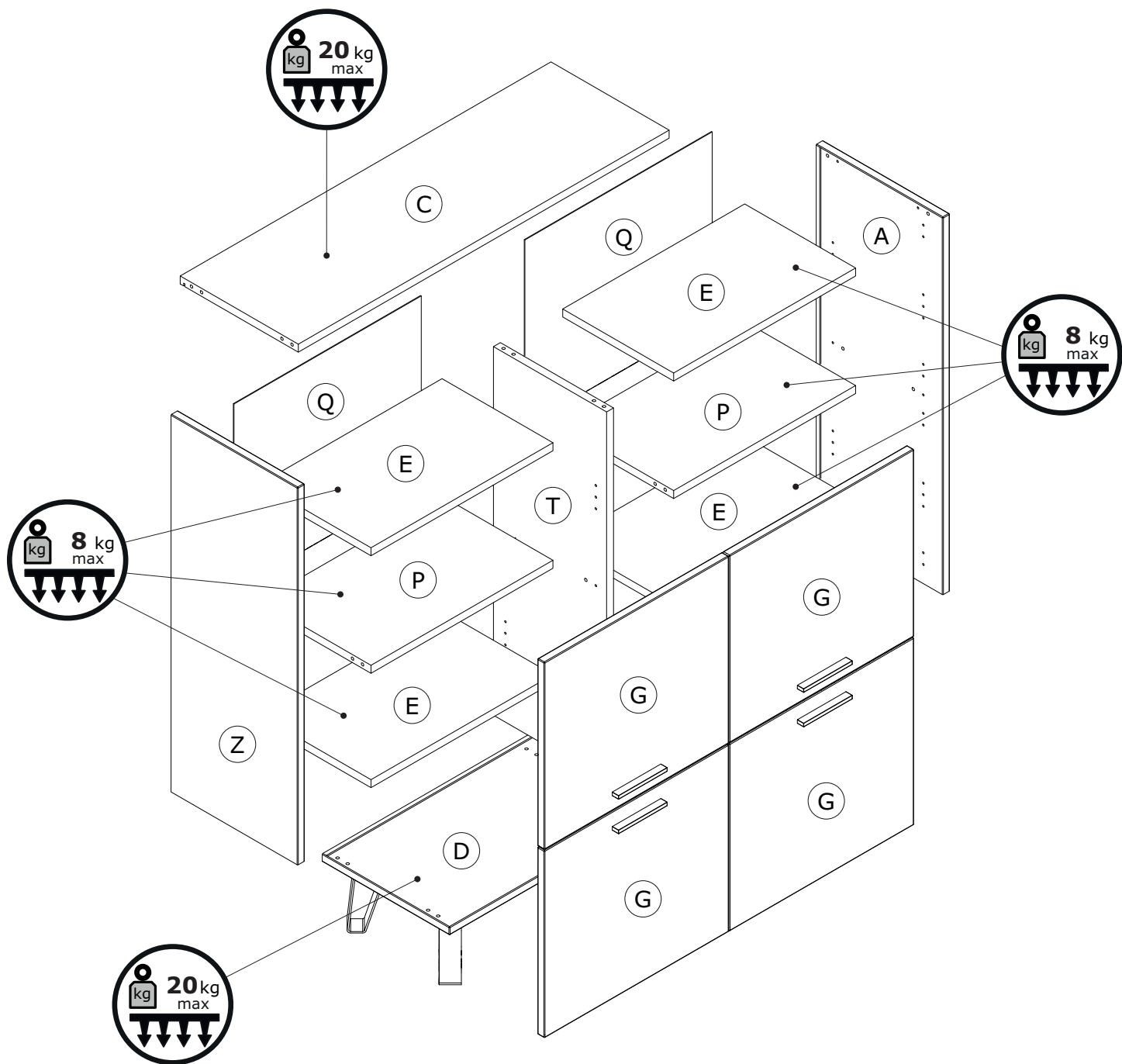
**BU4594**

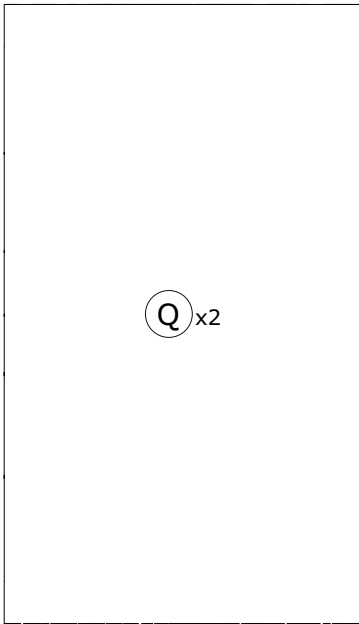


**P78**  
x3

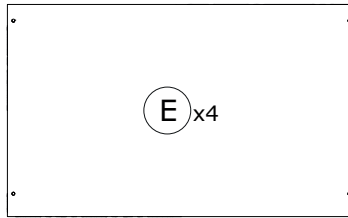


**5 6**

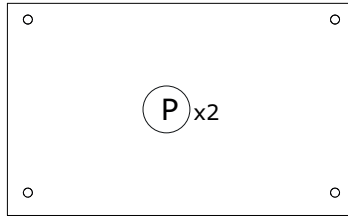




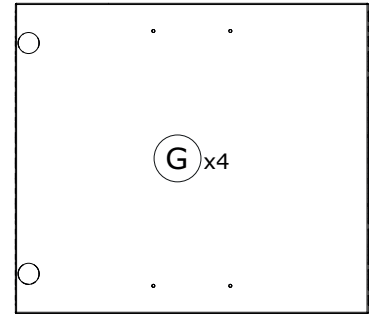
**SH3600**  
596x103x2mm



**PI7433**  
579x353x22mm

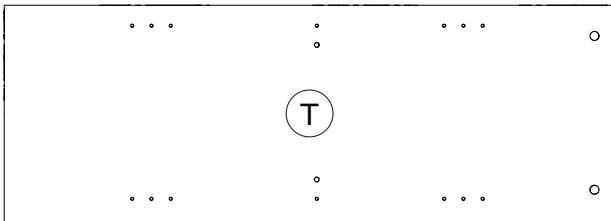


**PI7432**  
579x353x22mm

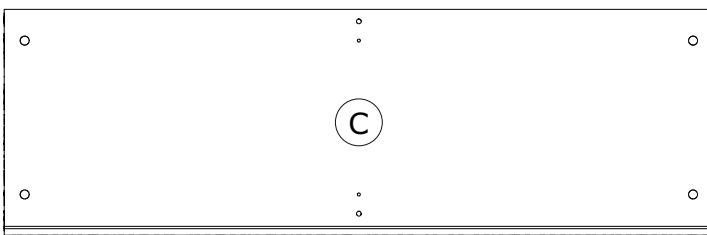


**AN3115**  
516x587x22mm

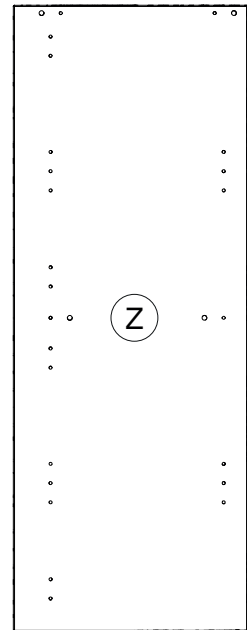
**BOX 1/2**



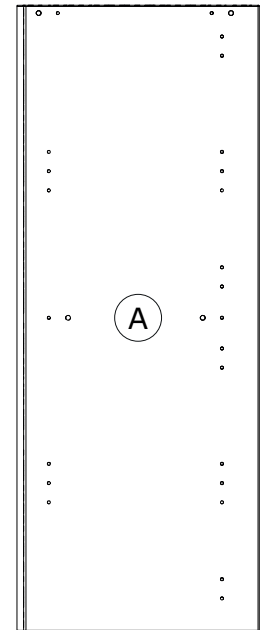
**TR2422**  
1016x360x22mm



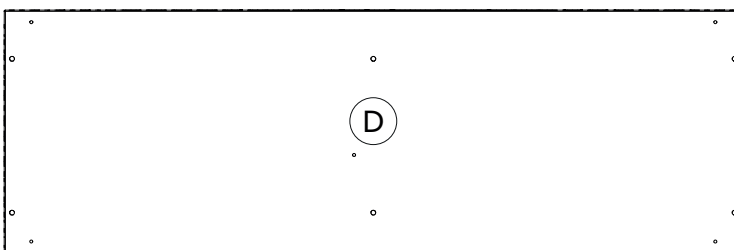
**CA3805**  
1180x376x22mm



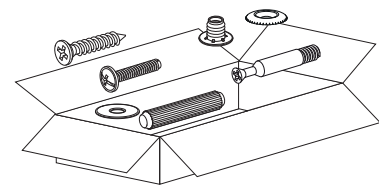
**FI9126**  
1040x403x22mm



**FI9125**  
1040x403x22mm

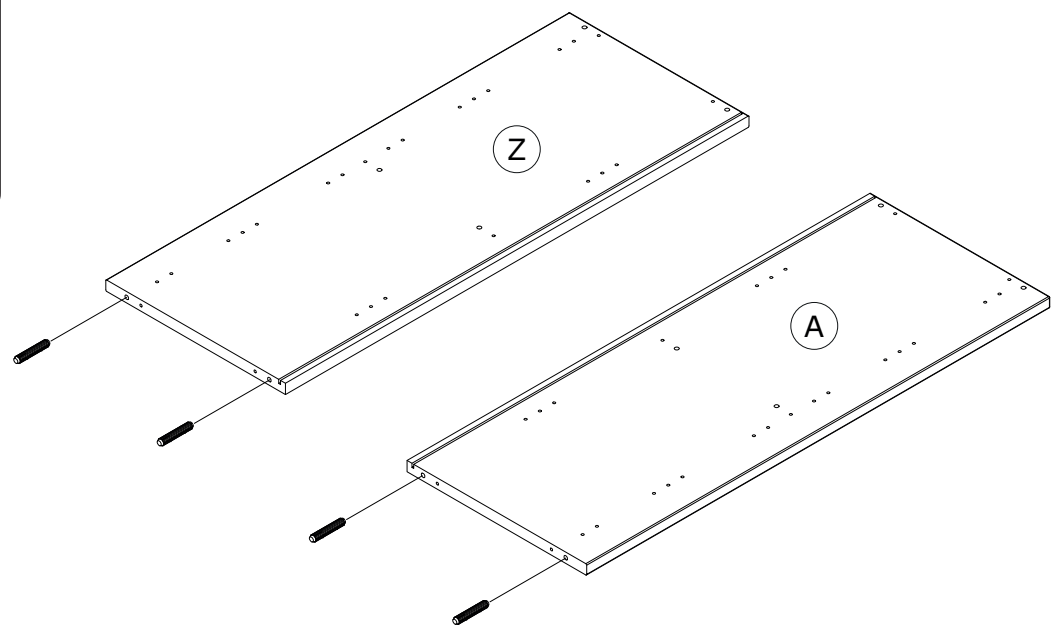
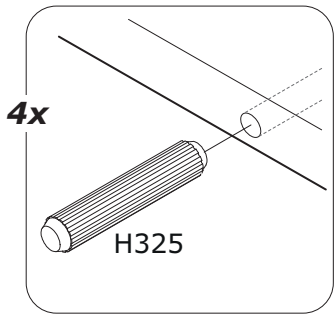
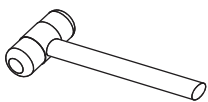


**BA2331**  
1228x405x22mm

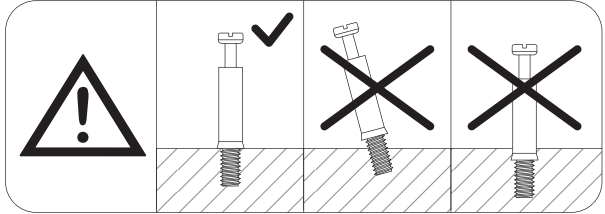
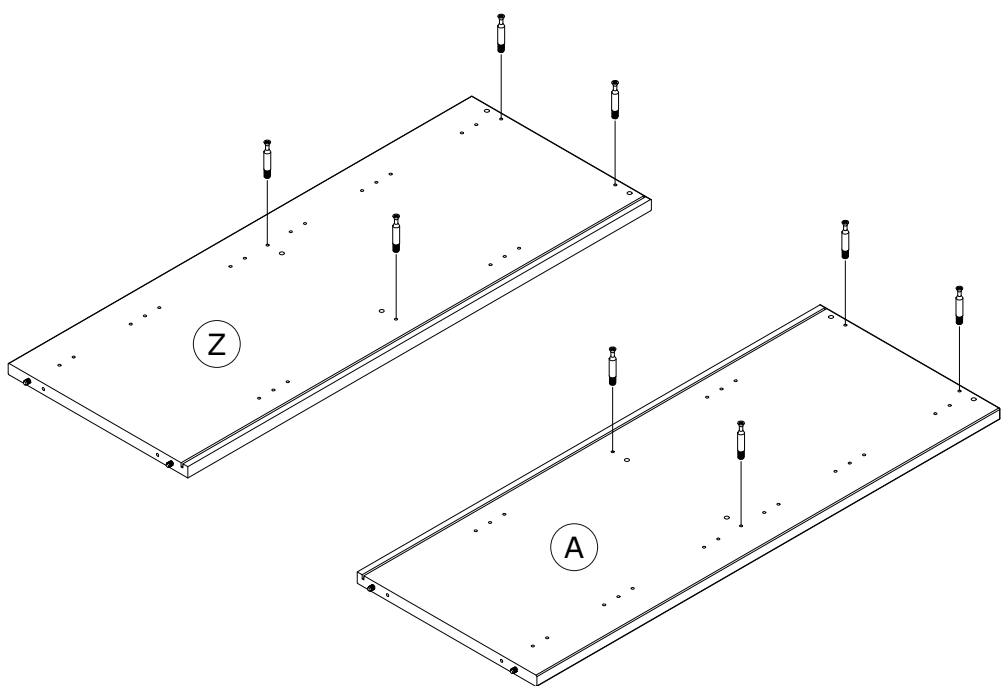
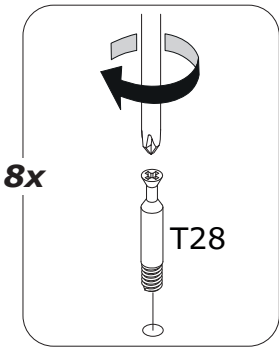
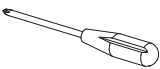


**BOX 2/2**

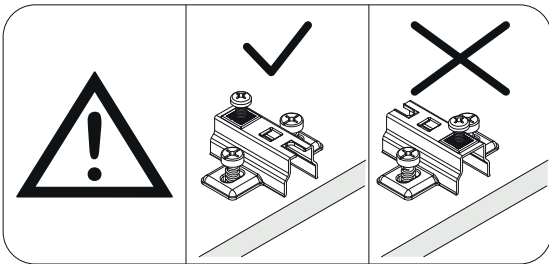
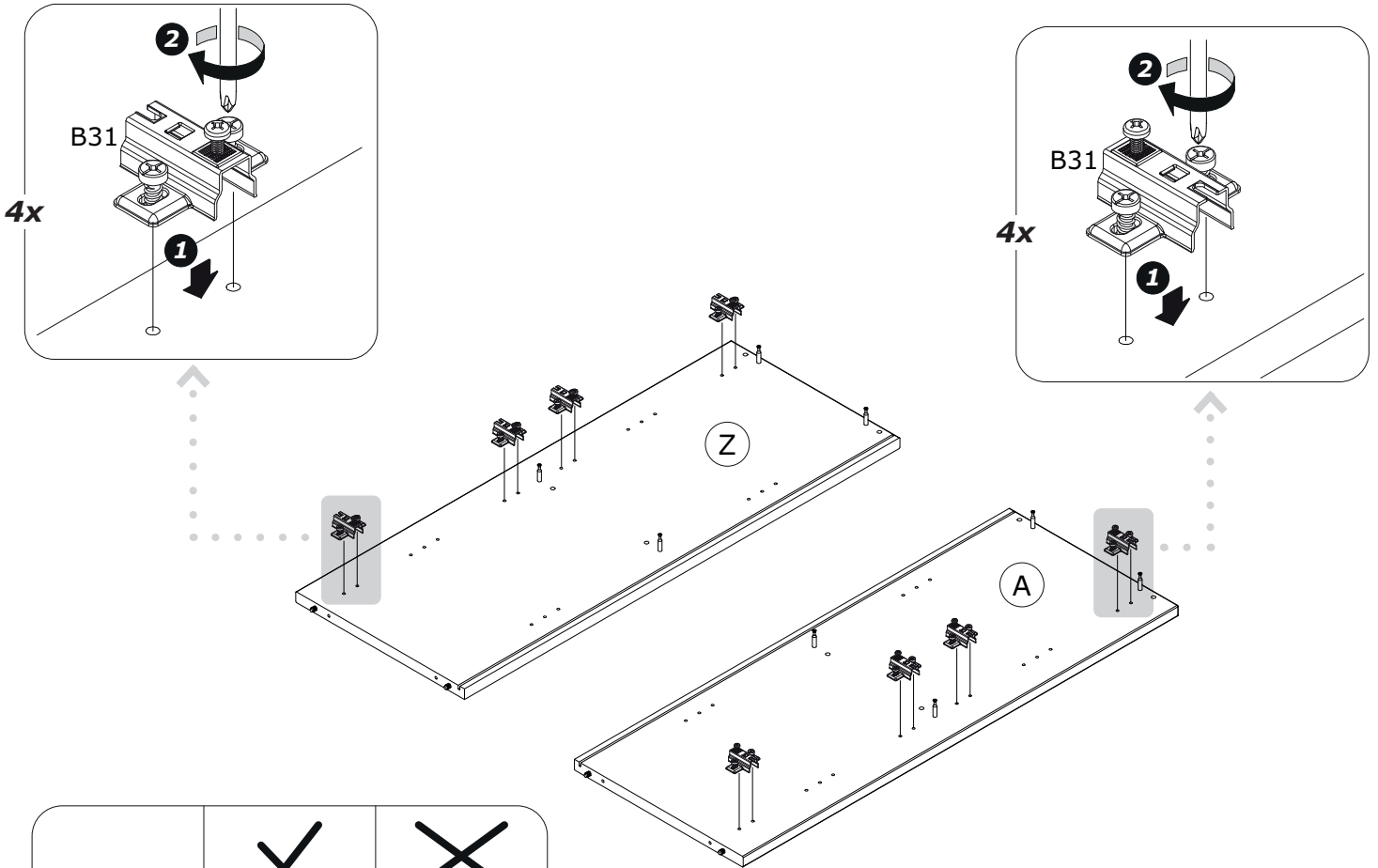
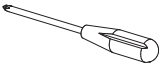
1



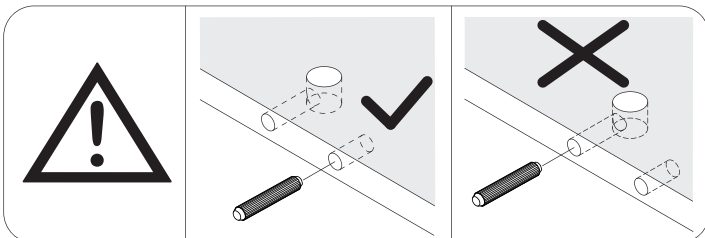
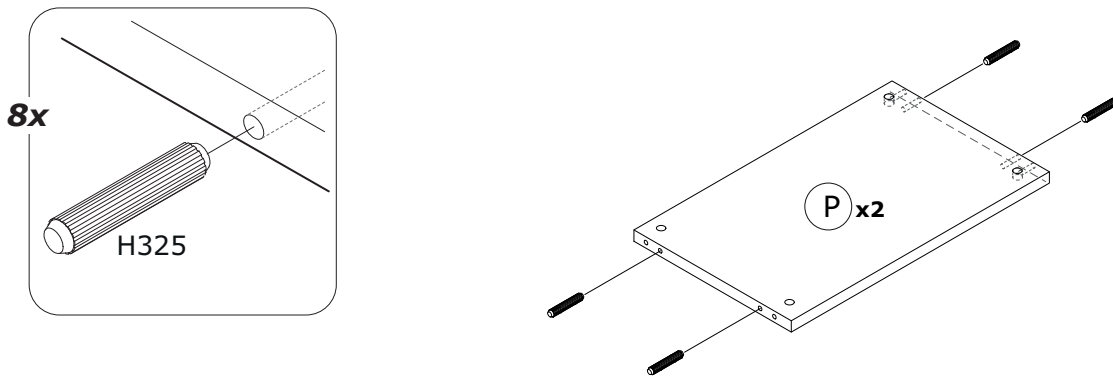
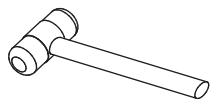
2

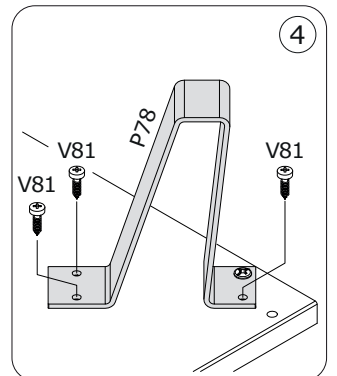
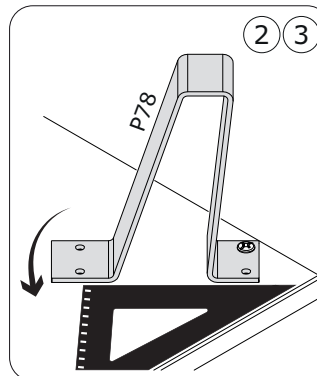
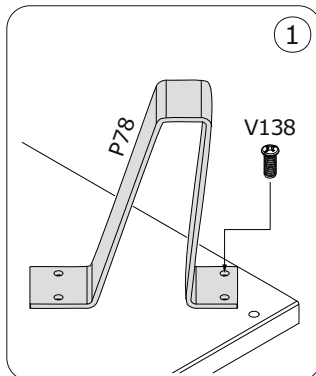
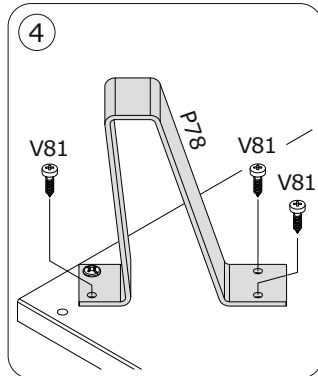
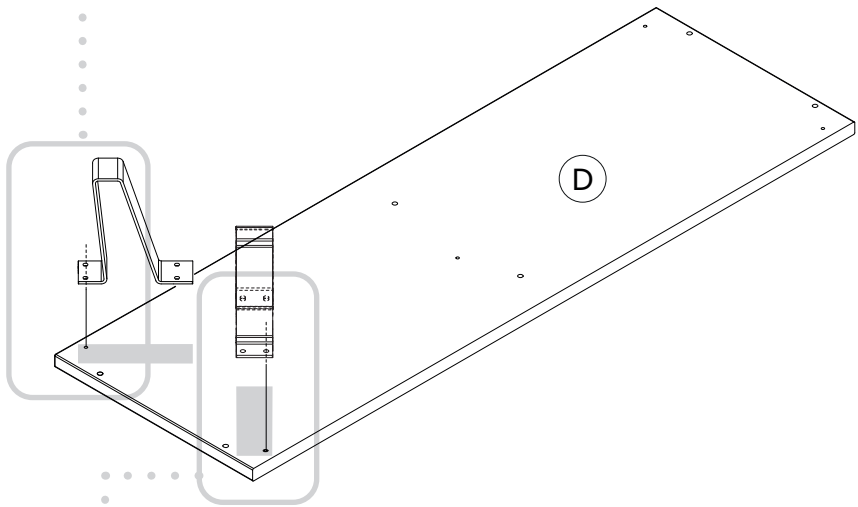
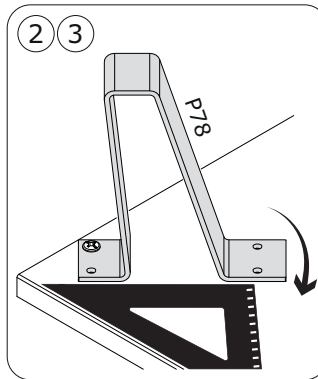
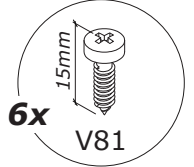
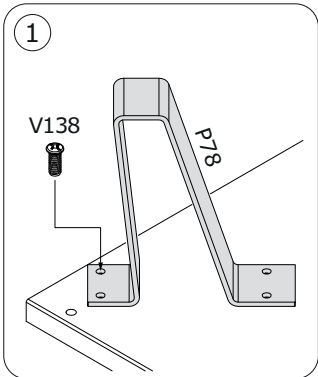
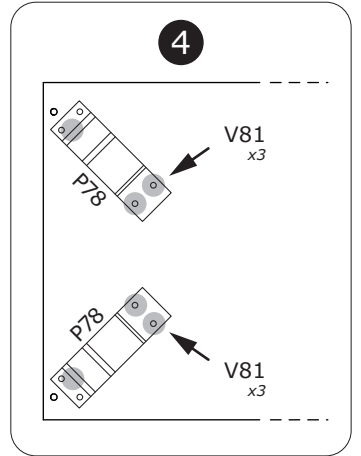
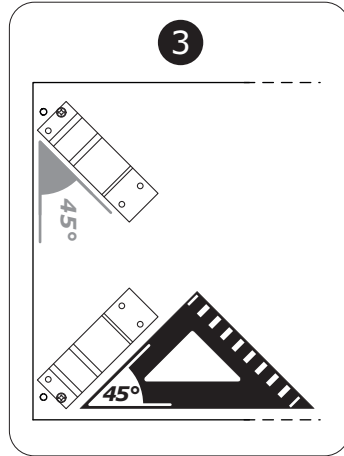
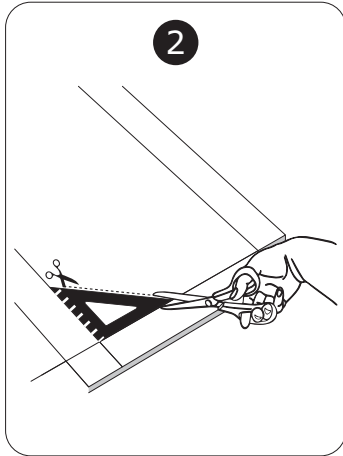
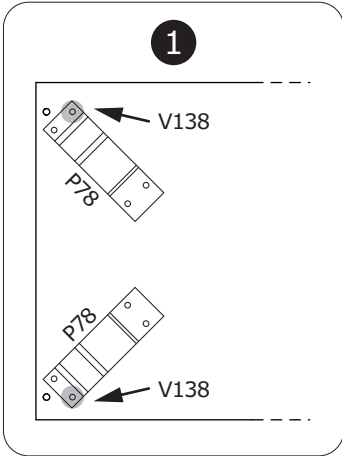
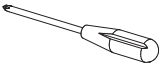


3



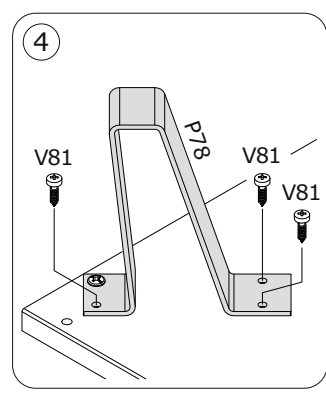
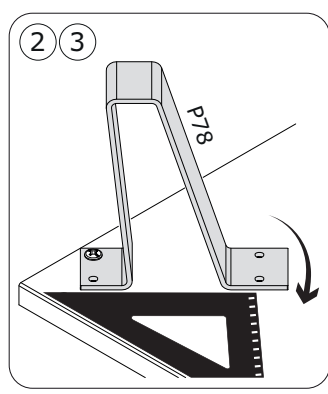
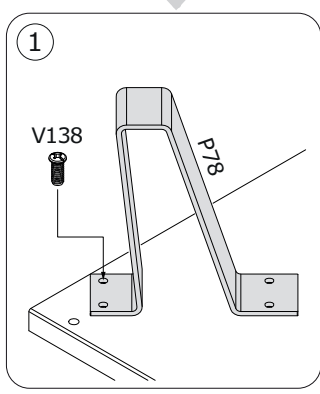
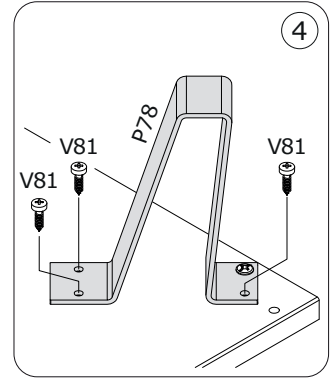
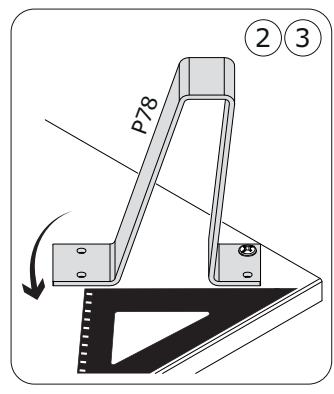
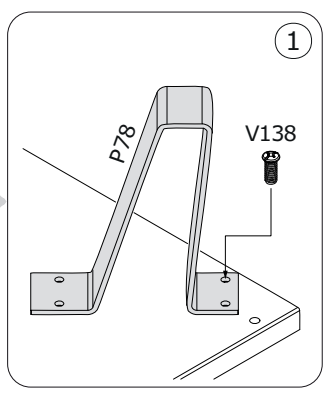
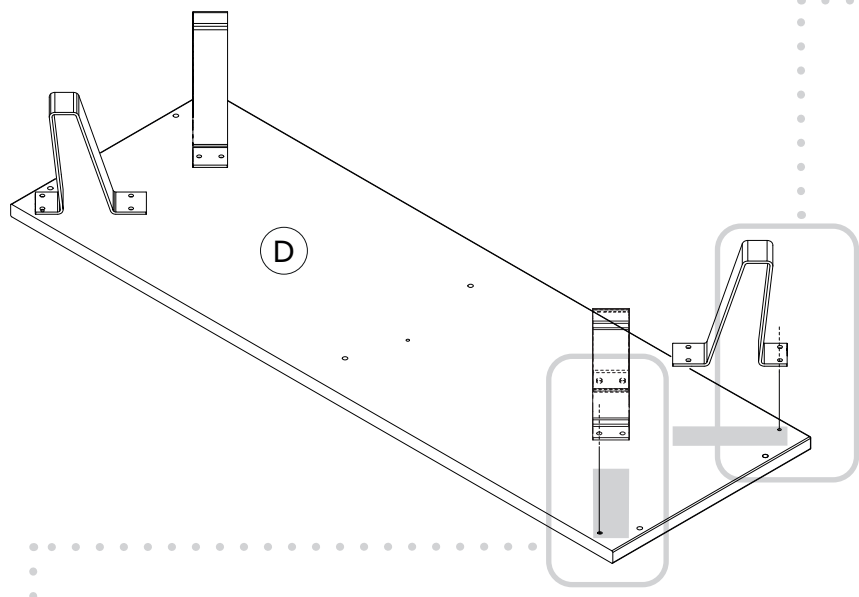
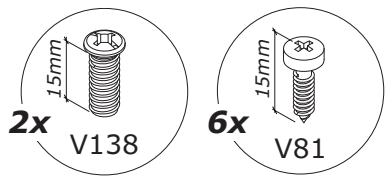
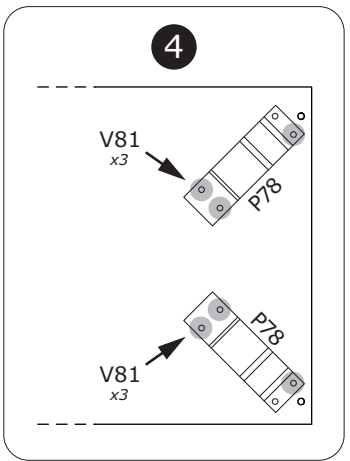
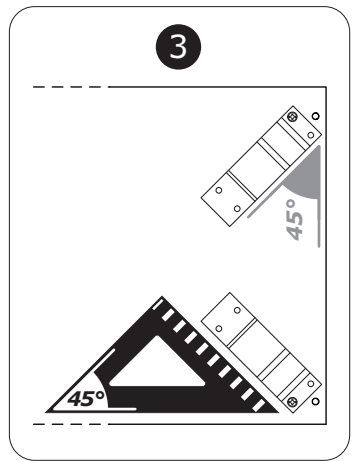
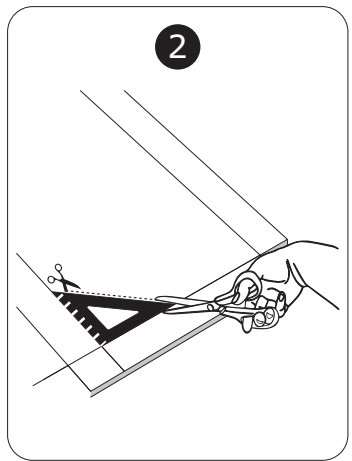
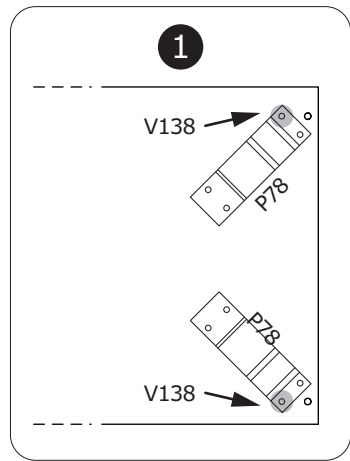
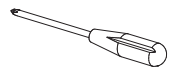
4



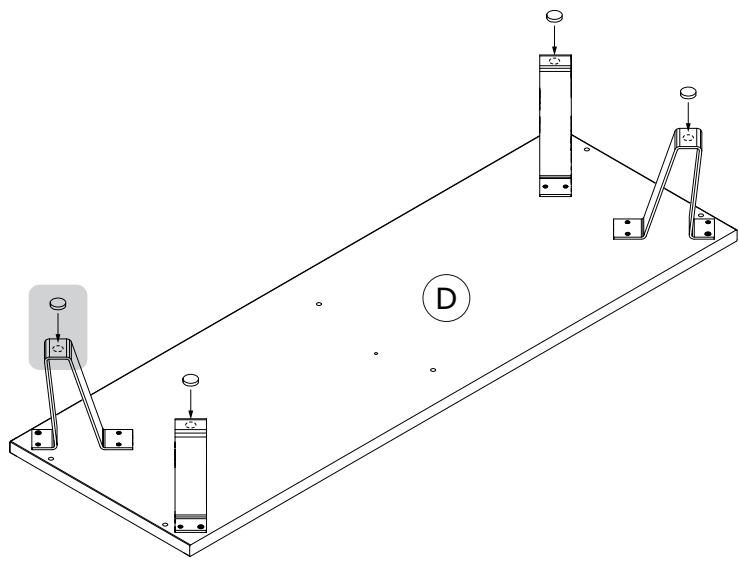
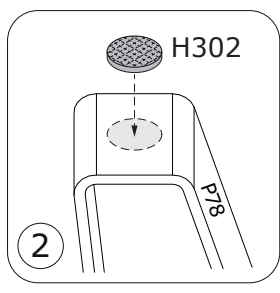
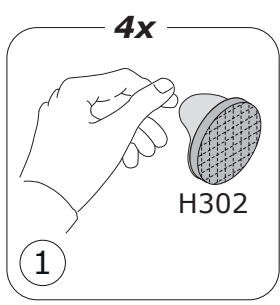




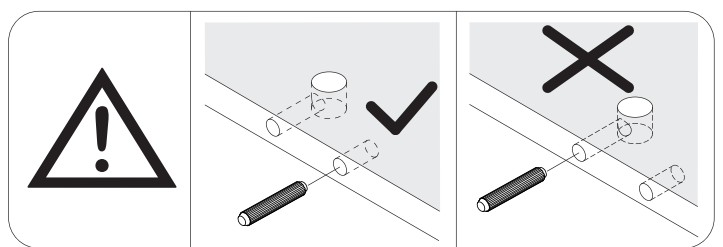
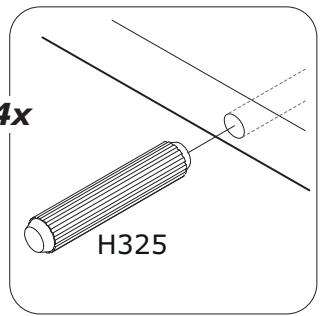
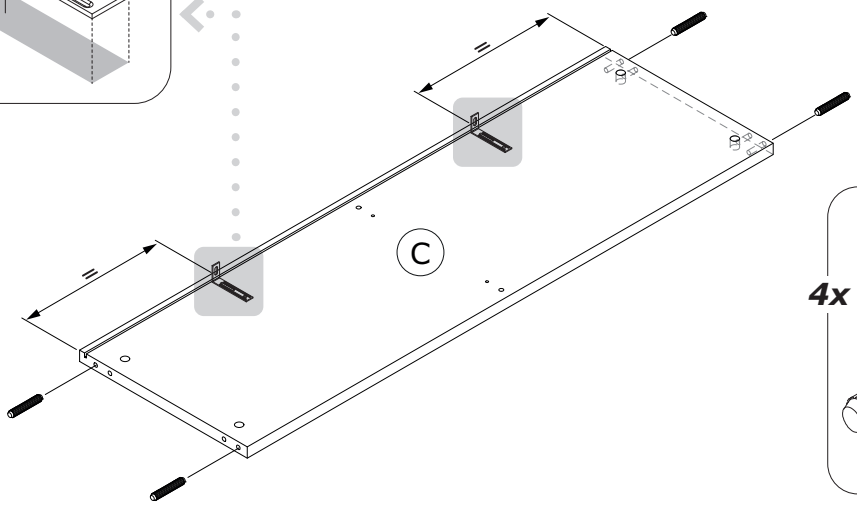
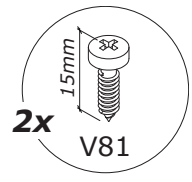
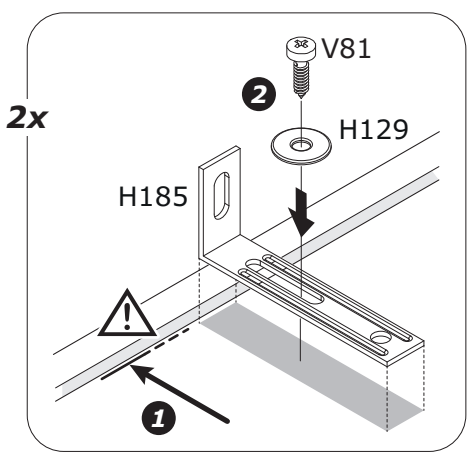
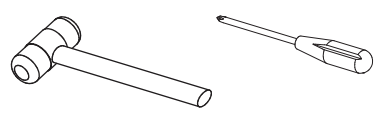
6



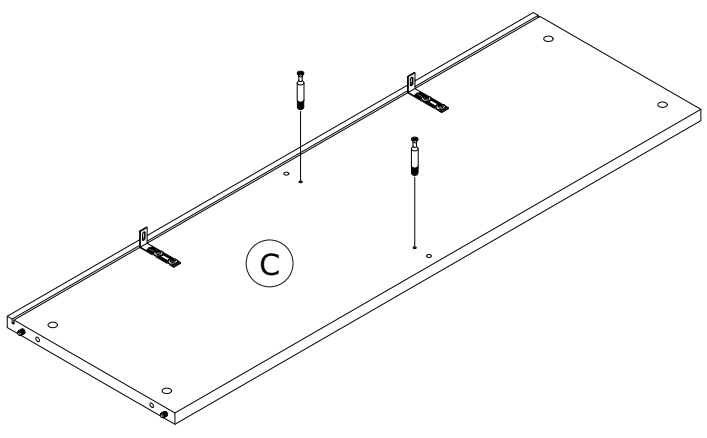
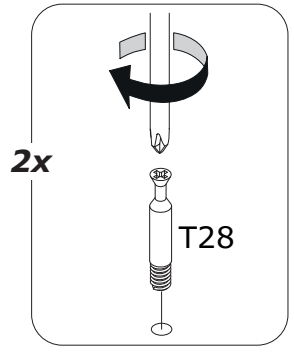
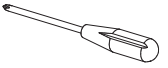
7



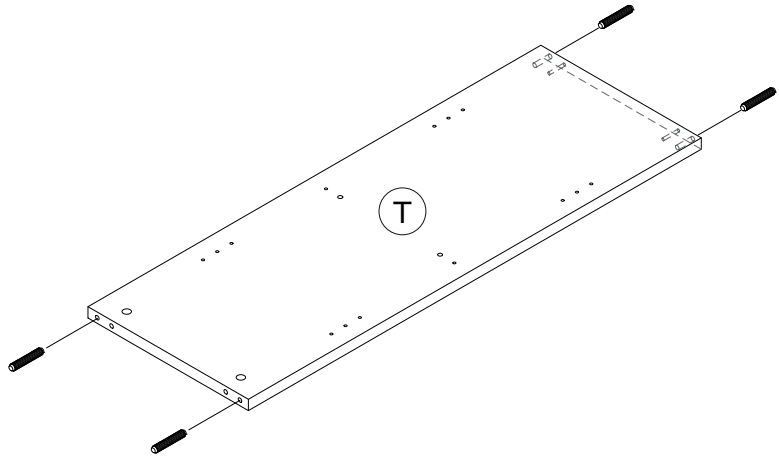
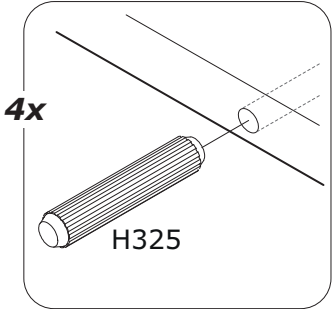
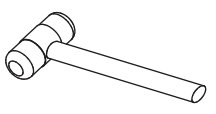
8



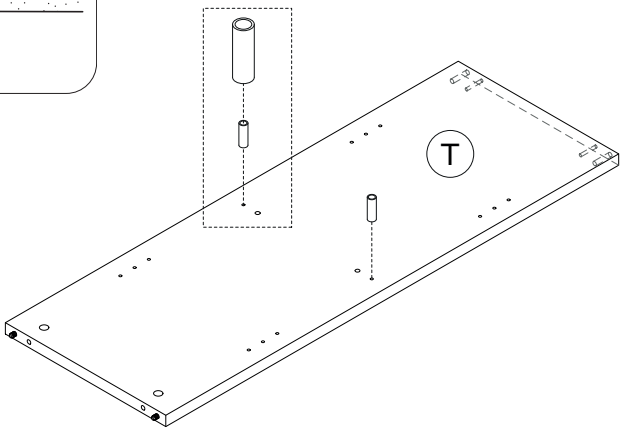
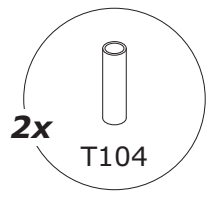
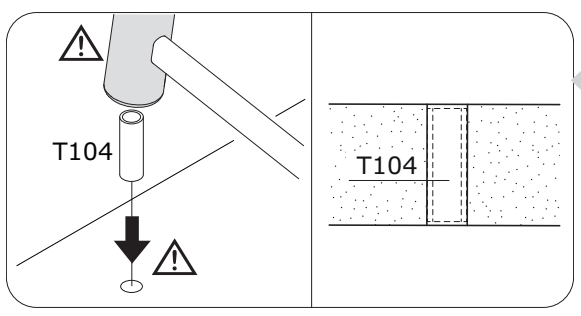
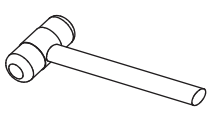
9



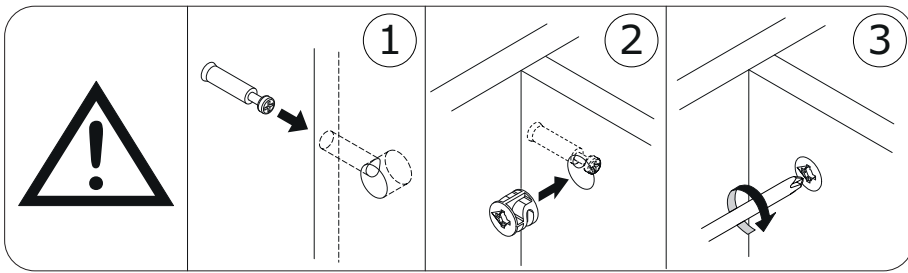
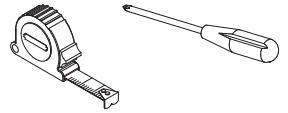
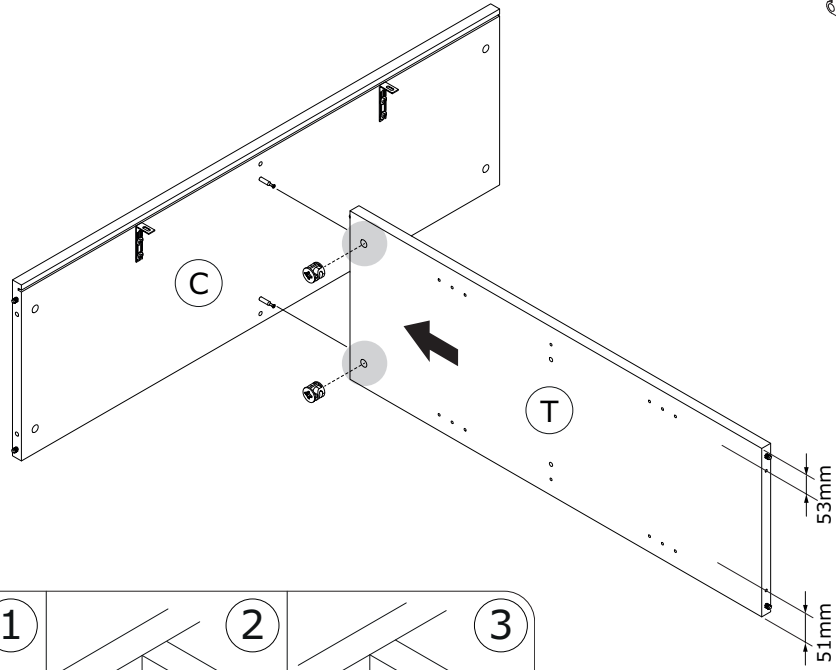
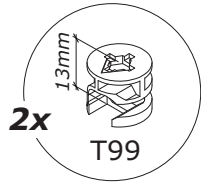
10



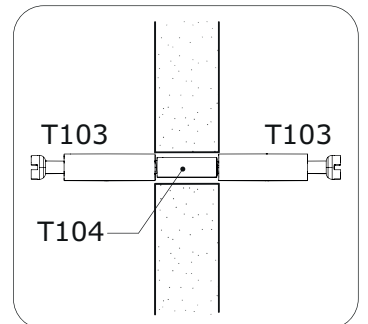
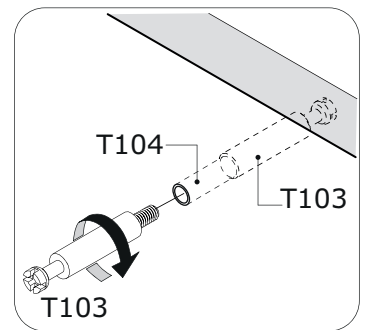
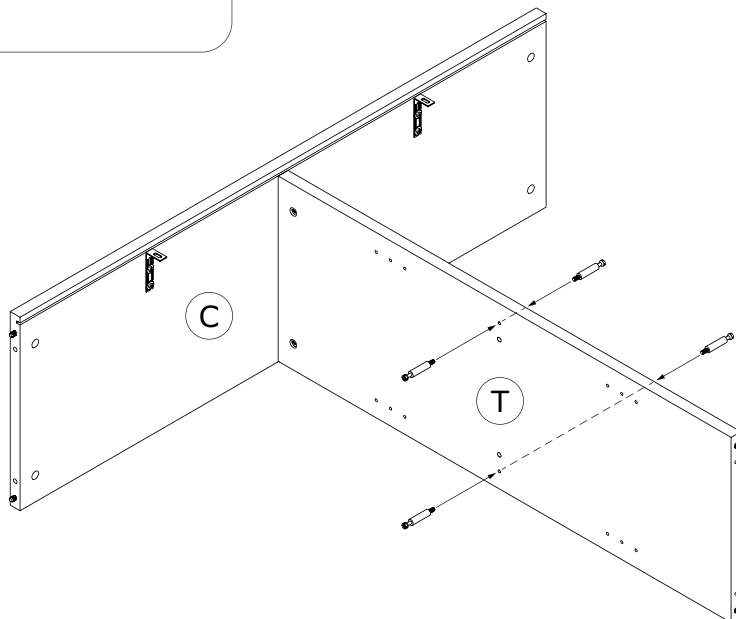
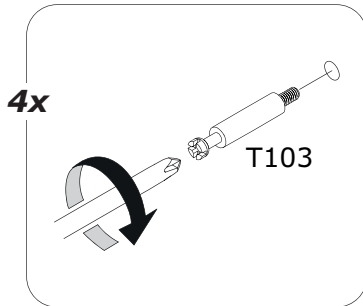
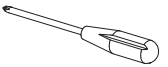
11

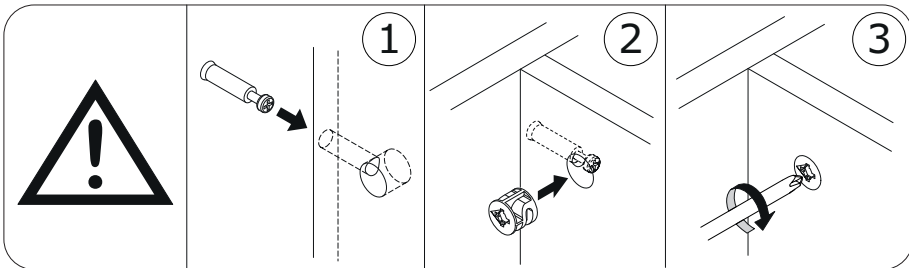
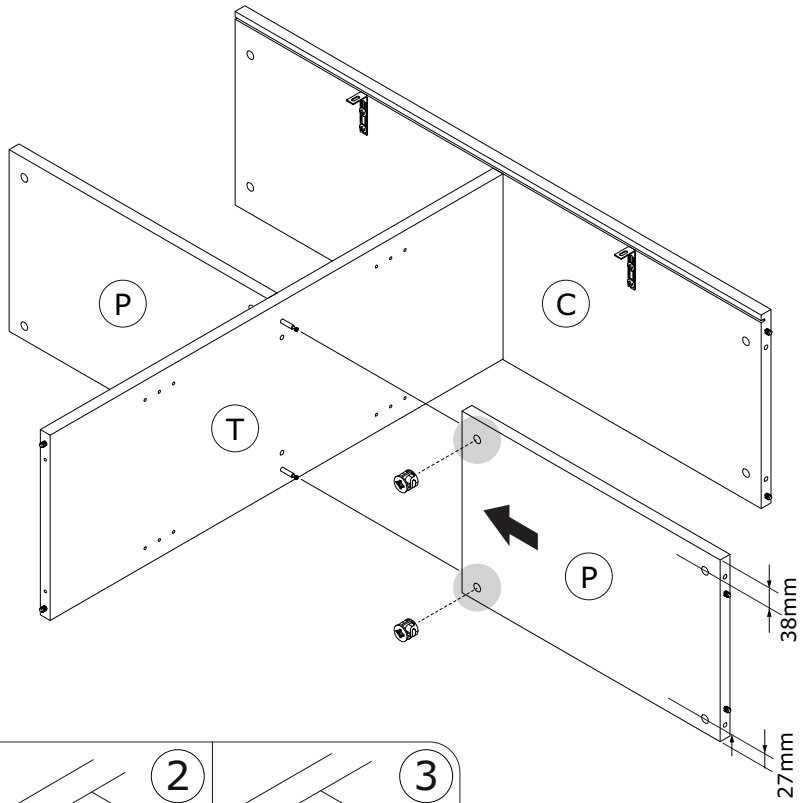
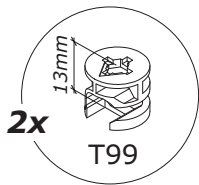
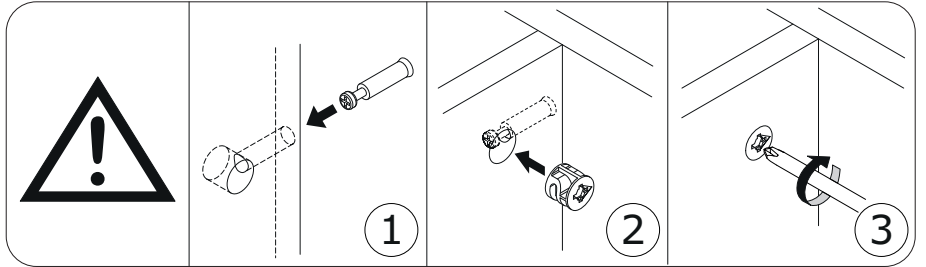
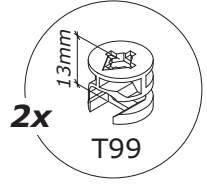
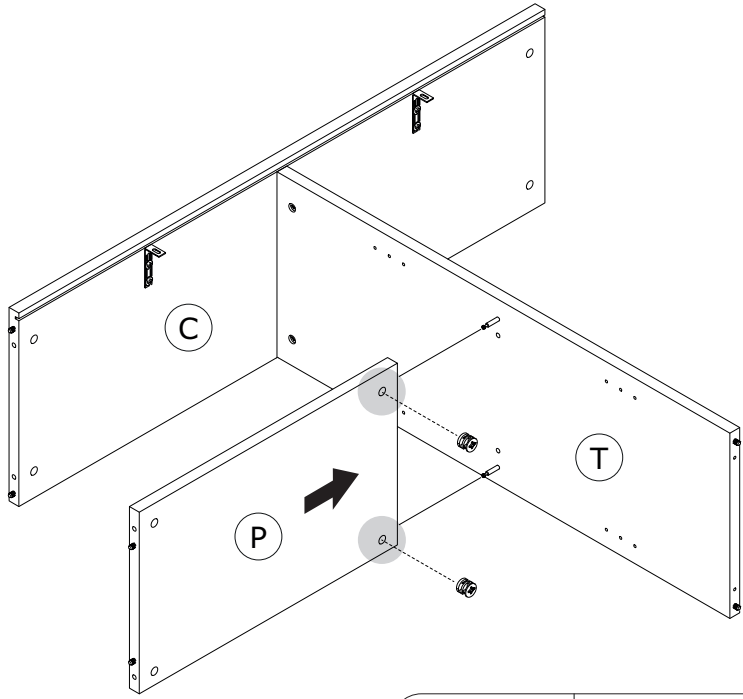
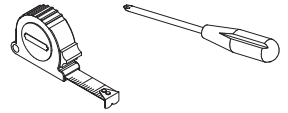


12

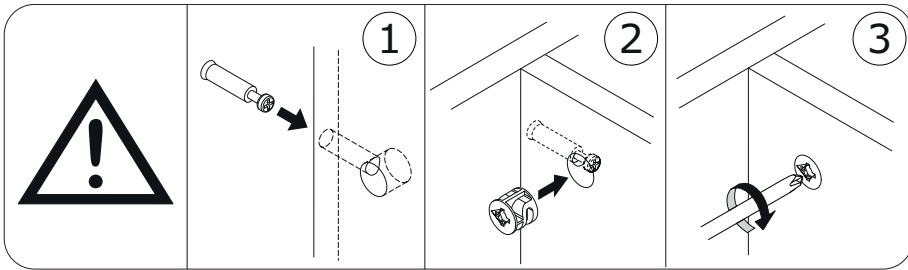
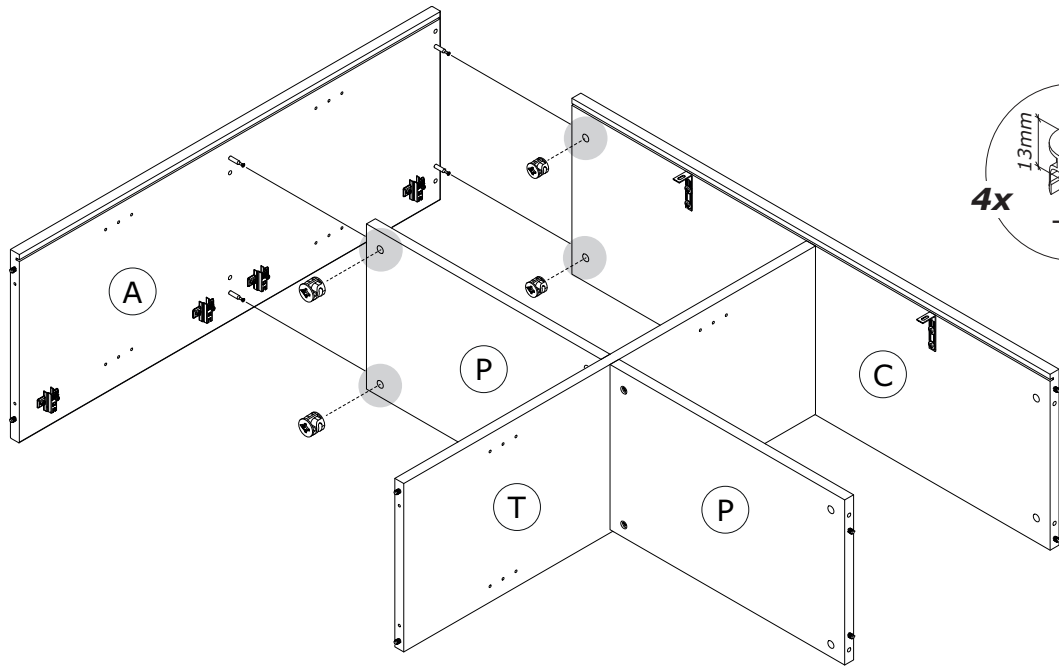


13

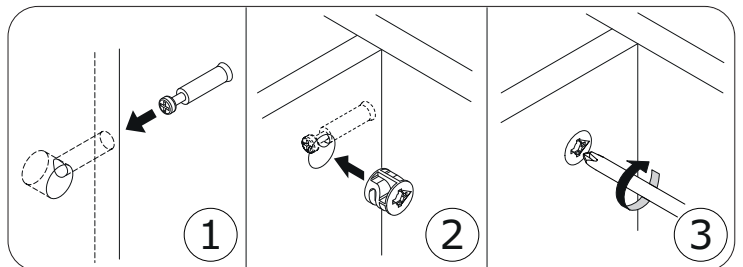
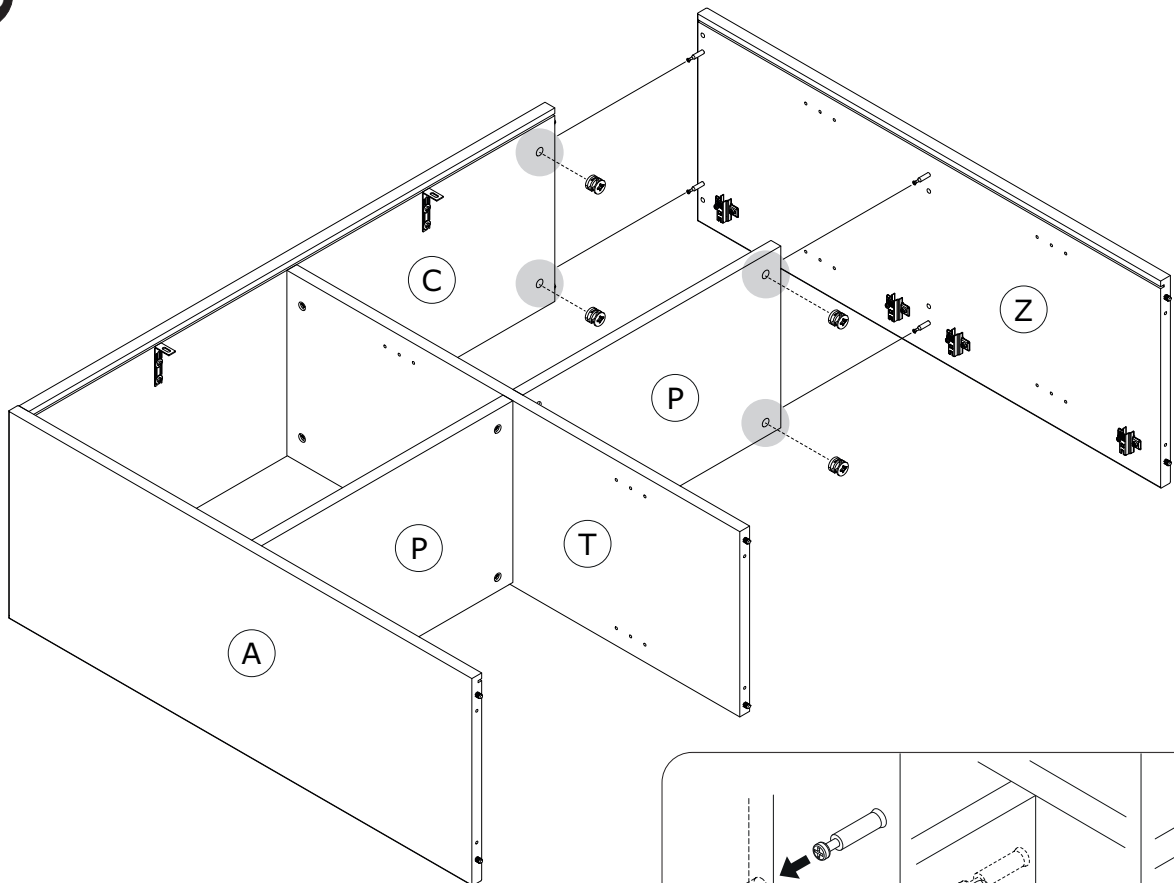




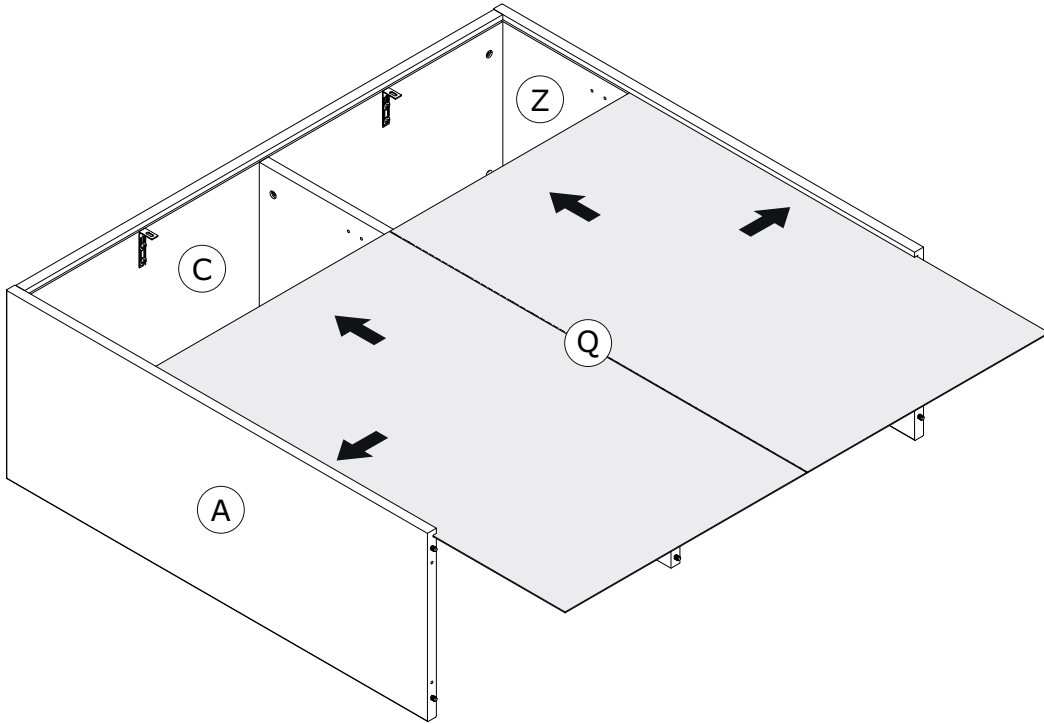
15



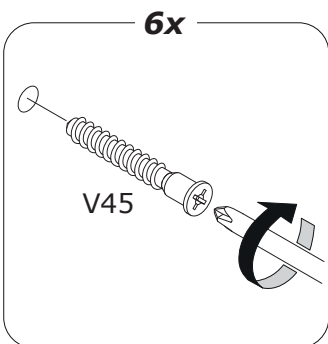
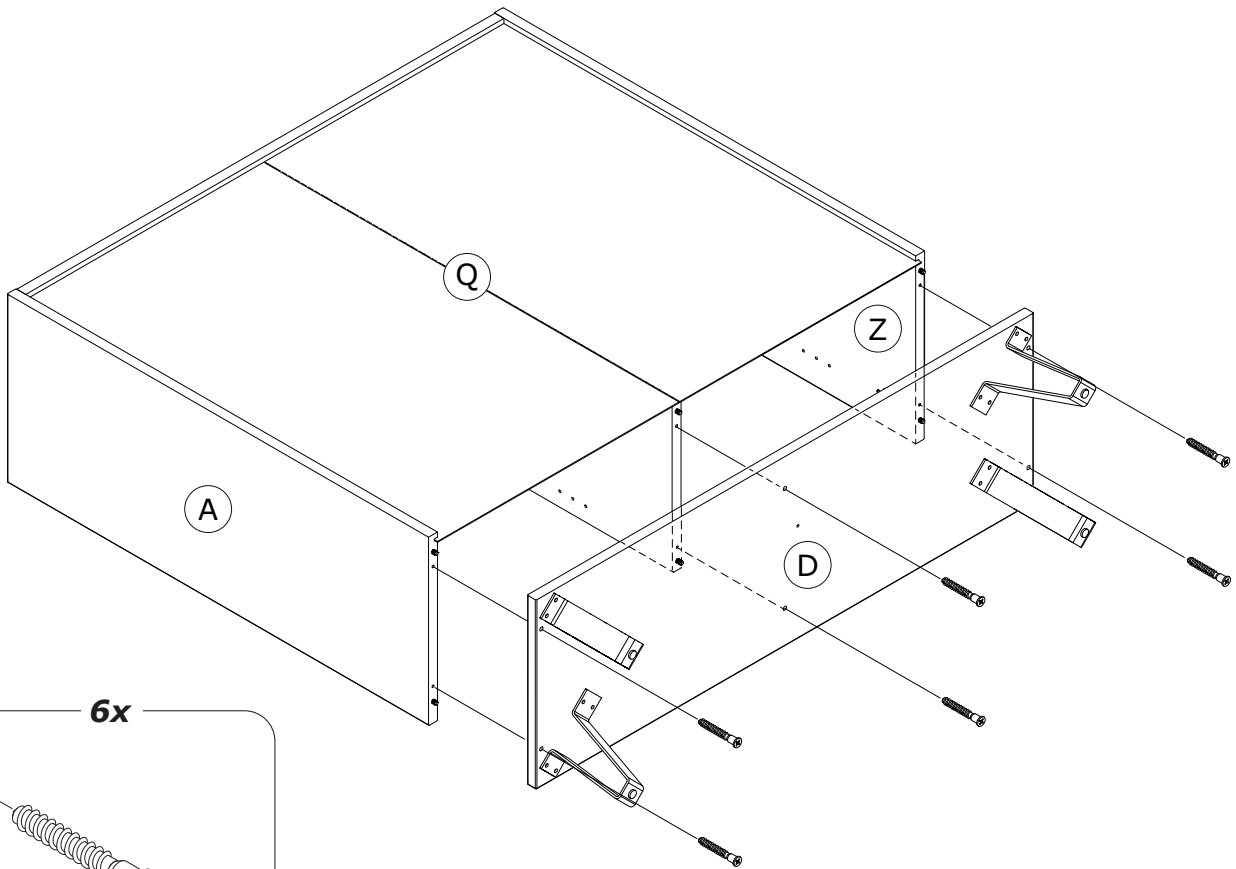
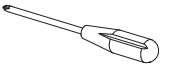
16



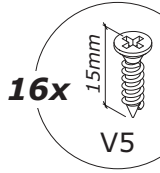
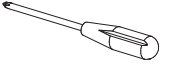
17



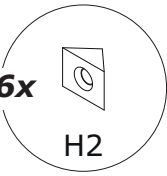
18



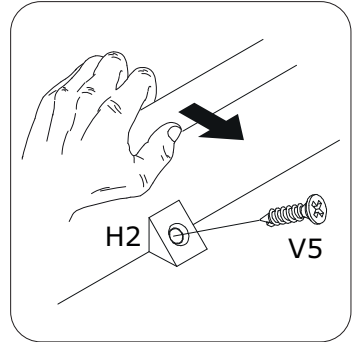
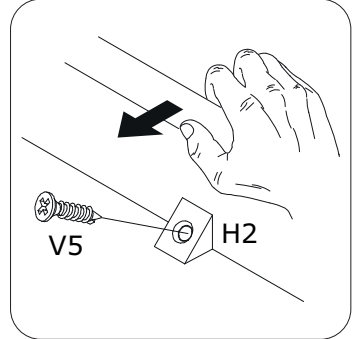
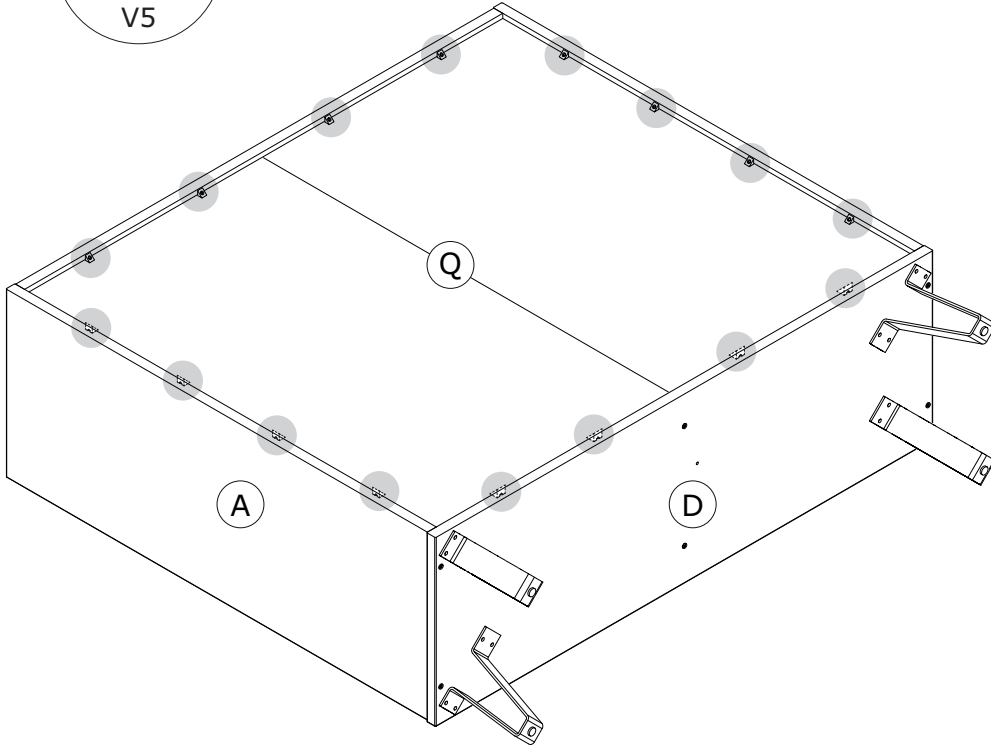
19



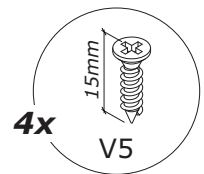
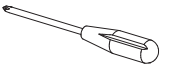
16x



H2



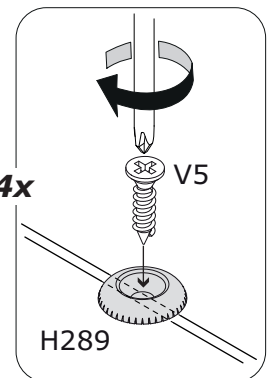
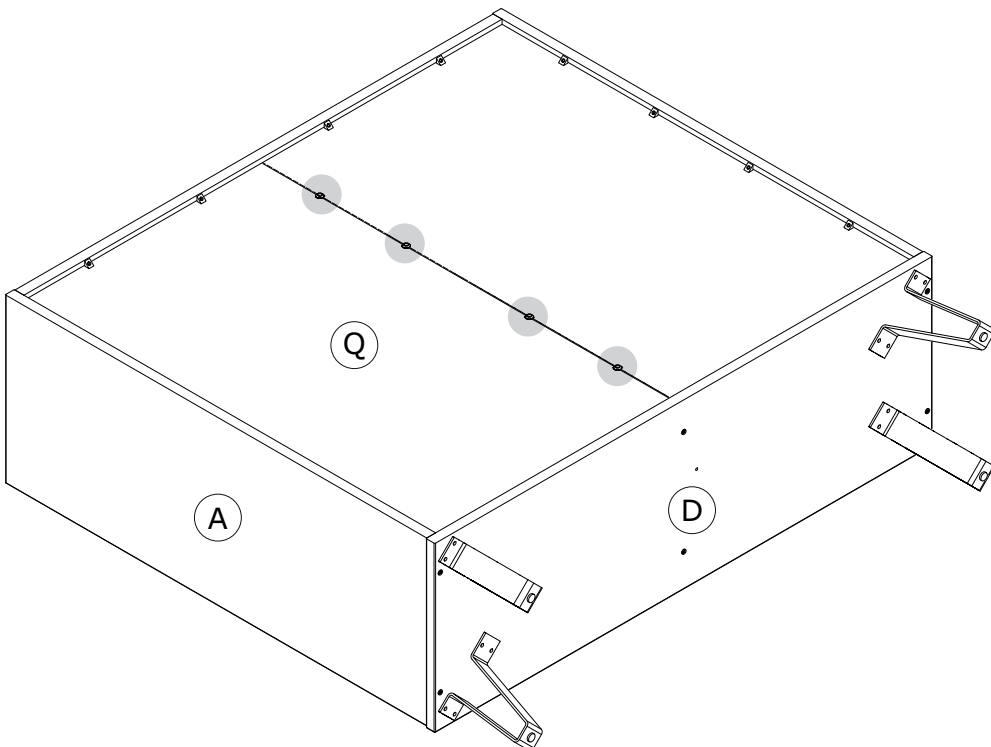
20



4x

1.5mm

V5



4x

V5

H289



