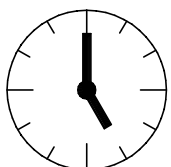
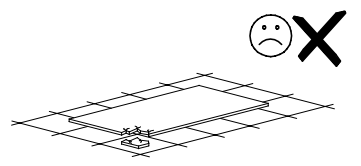
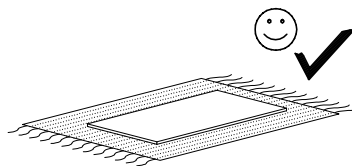
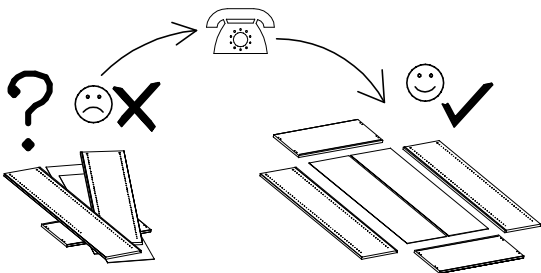
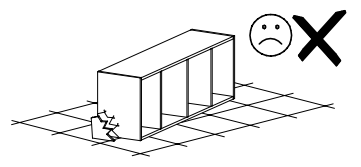
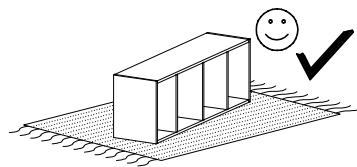
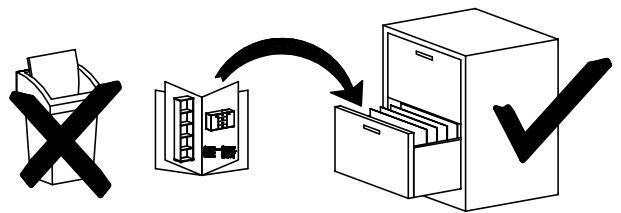
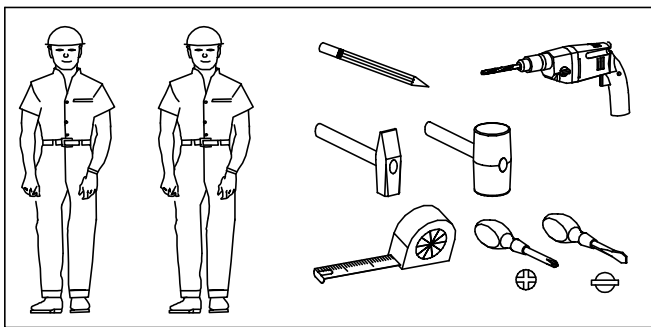
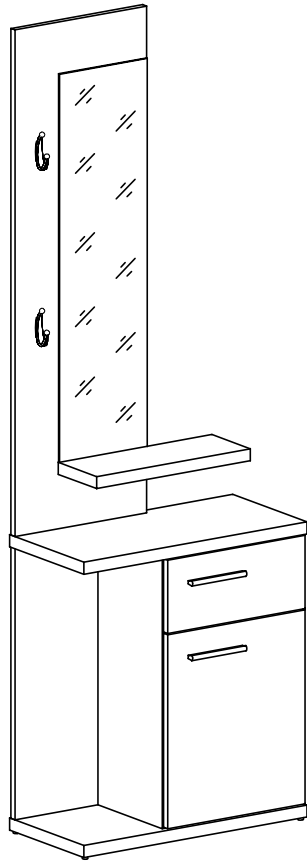
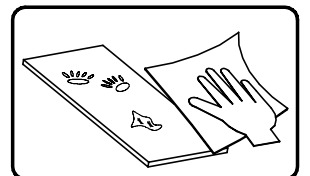
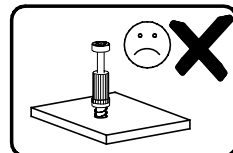
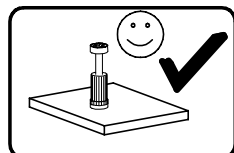
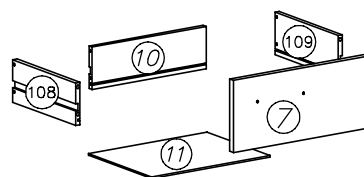
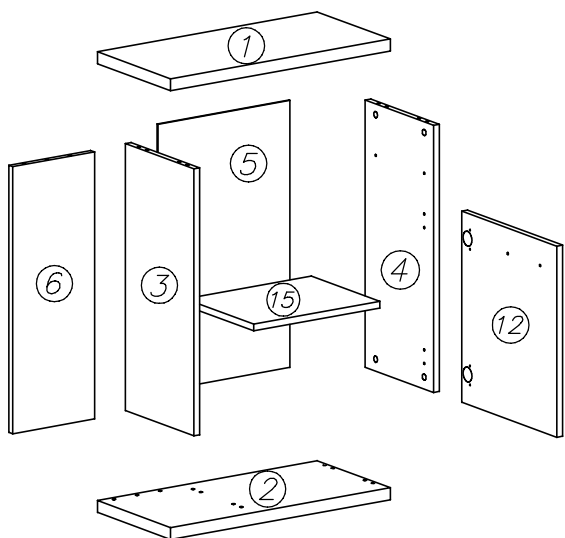
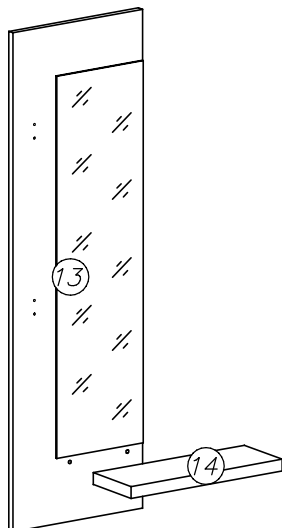
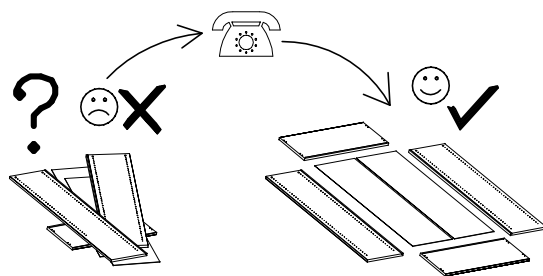
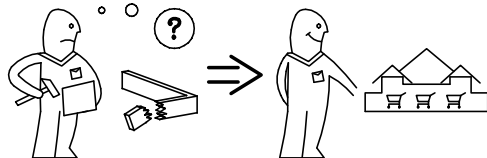
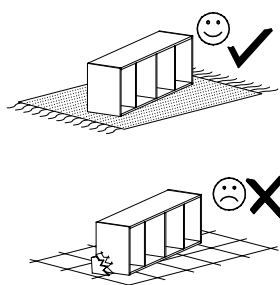


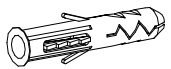


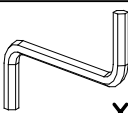
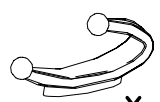


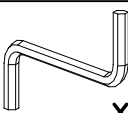
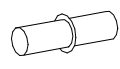
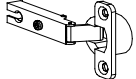

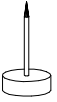
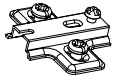
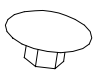

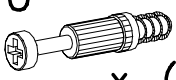
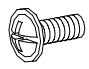

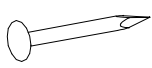
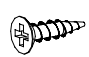


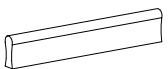
KENDRA II



1,5h

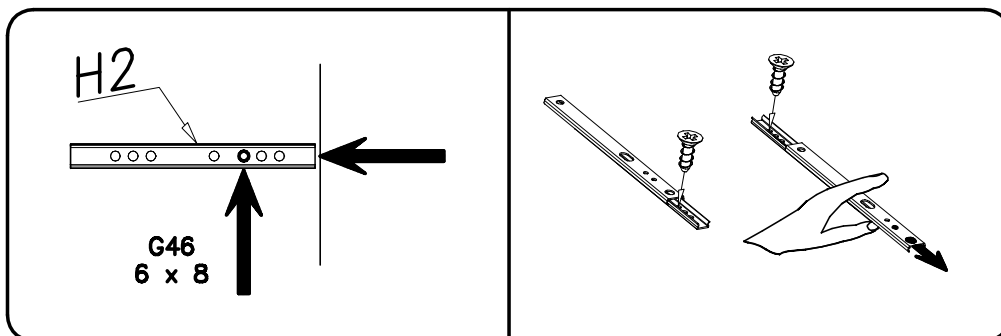
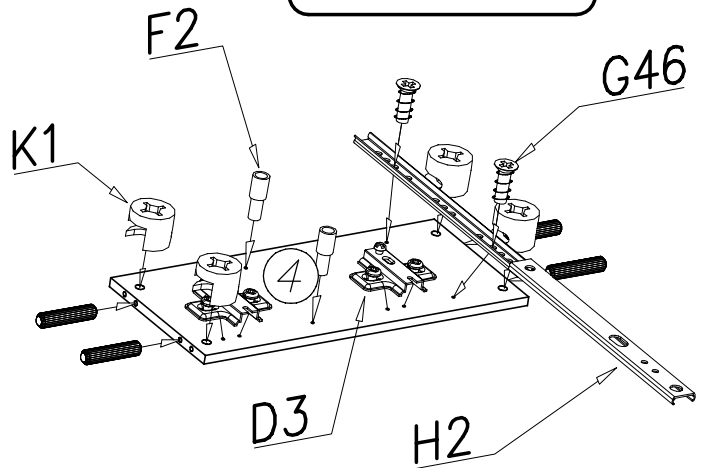
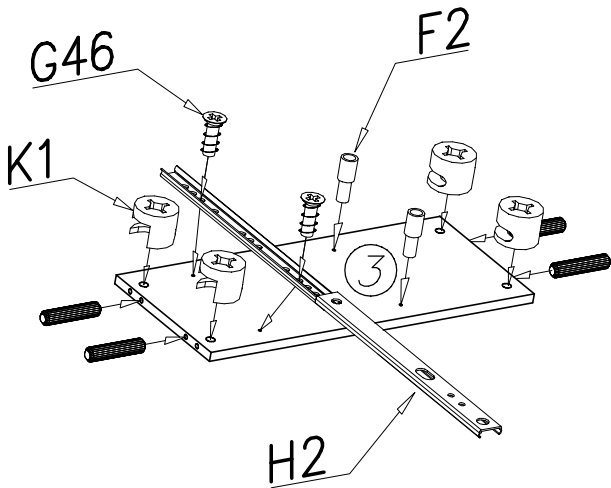
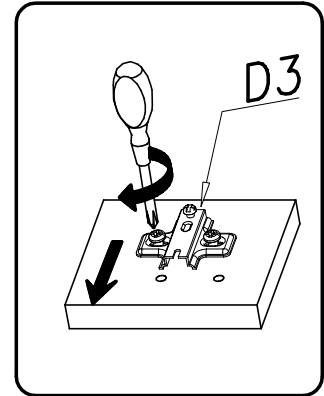
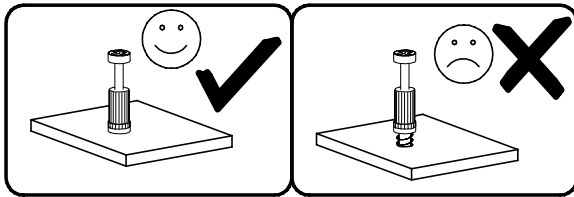
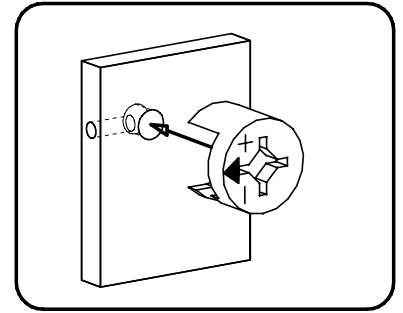
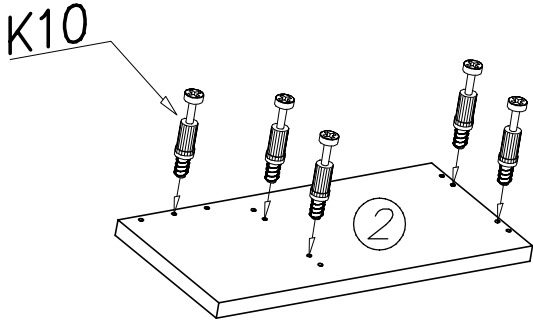
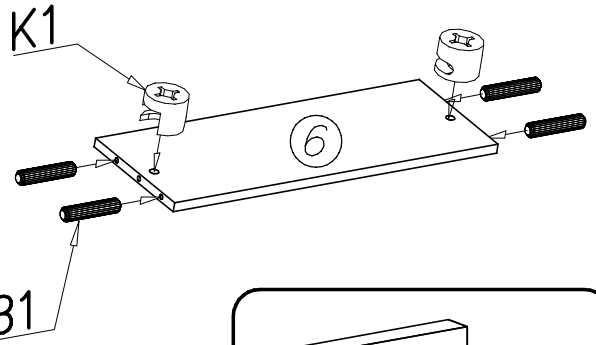
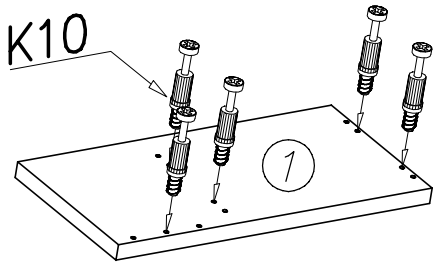




U8  ø10x60 x...(2)	U7S  x...(2)	A1  ø7x50 x...(2)	W2  x...(1)	Q1  x...(2)
H2  246mm x...(2)	W1  x...(1)	W1  x...(1)	F2  x...(4)	C3  Z35PR x...(2)
K1  ø15x12 x...(10)	P4  x...(4)	D3  PZ35PR x...(2)	I7  ø18 x...(10)	A6  ø7x40 x...(4)
K10  x...(10)	N1  M4x9 x...(2)	B1  ø8x35 x...(12)	W4  x...(~20)	G34  3,5x16 x...(4)
G13  4,5x25 x...(8)	G46  6x8 x...(4)	E1  128mm x...(2)		

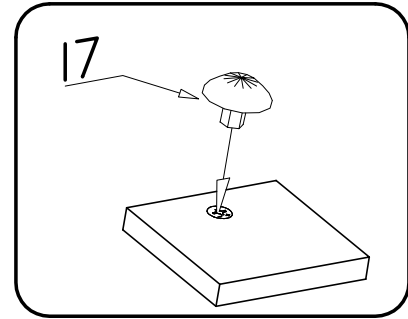
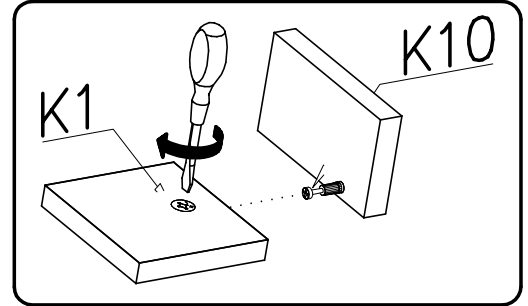
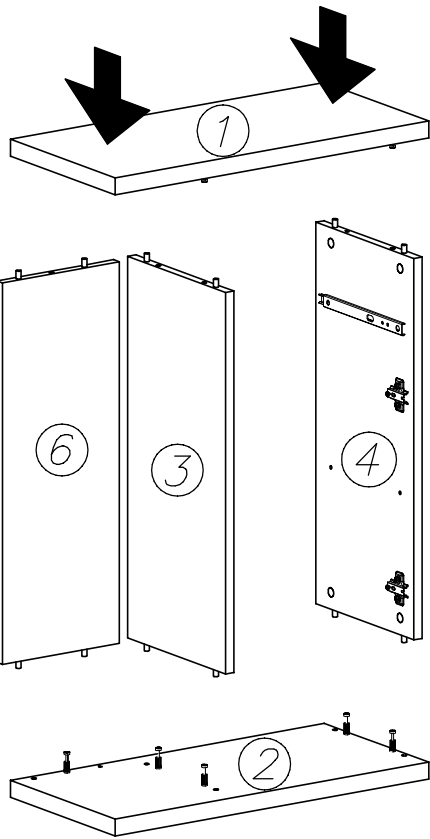


I

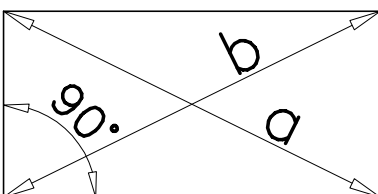
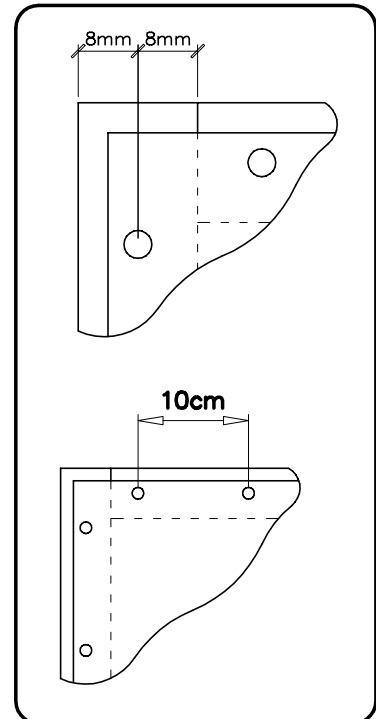
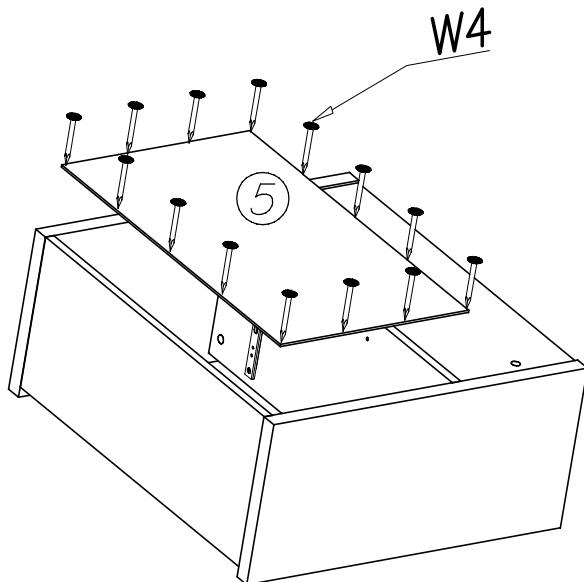




II



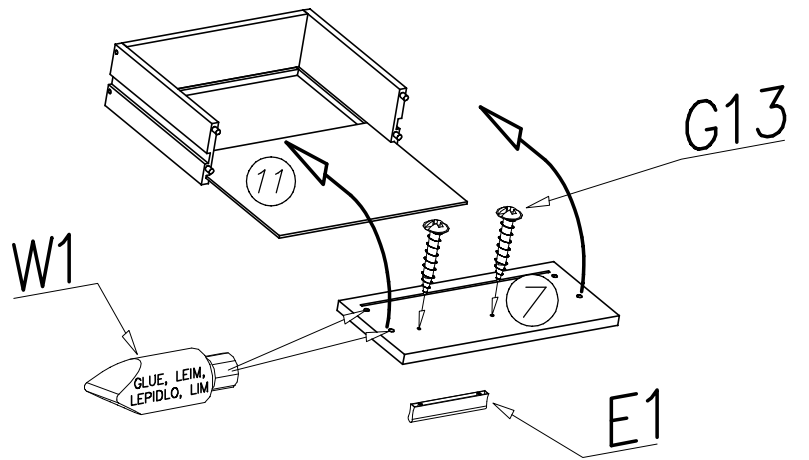
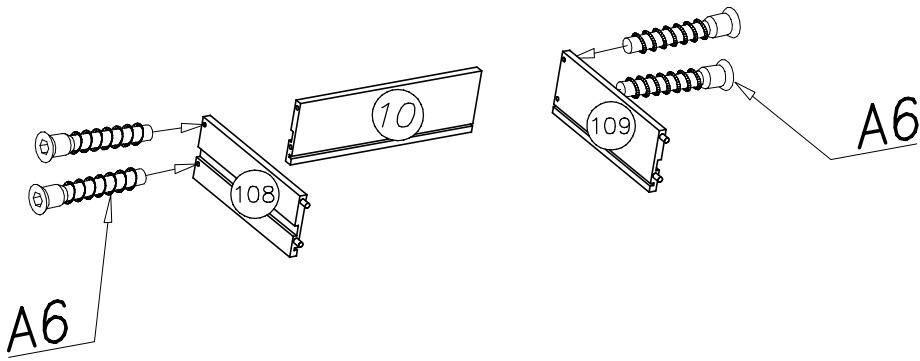
III



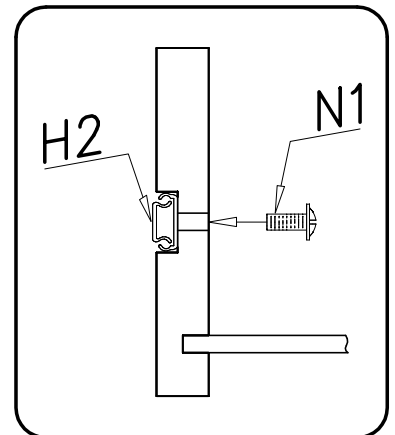
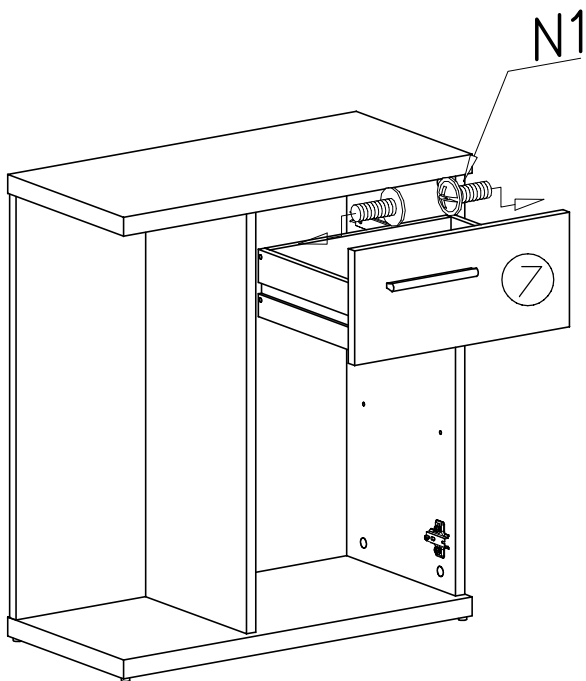
$$a = b$$



IV

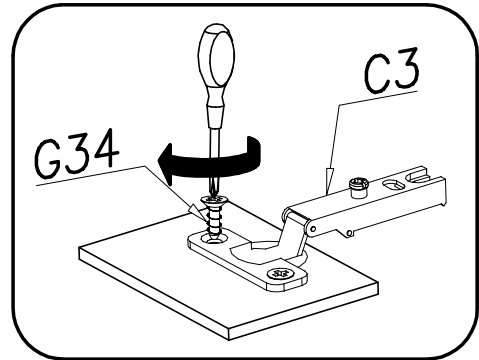
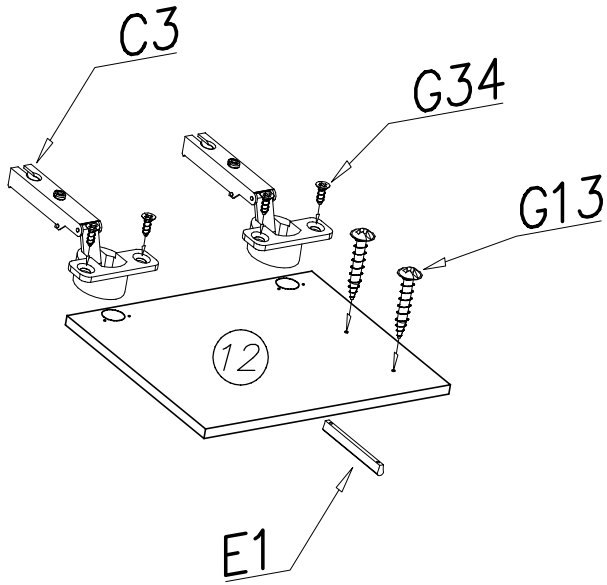


V

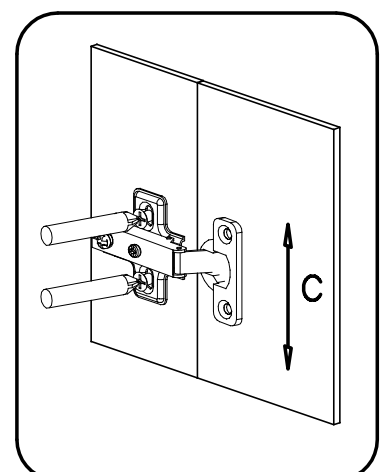
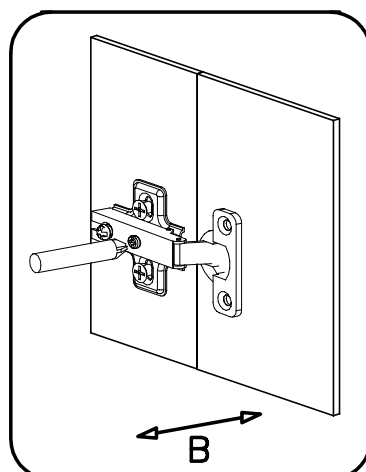
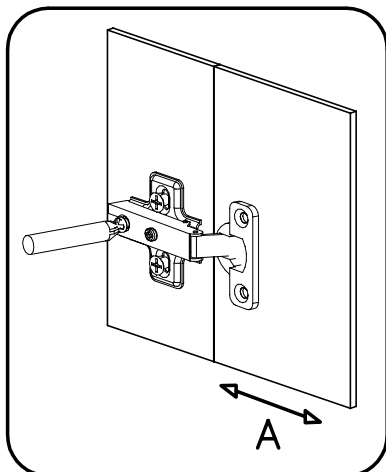
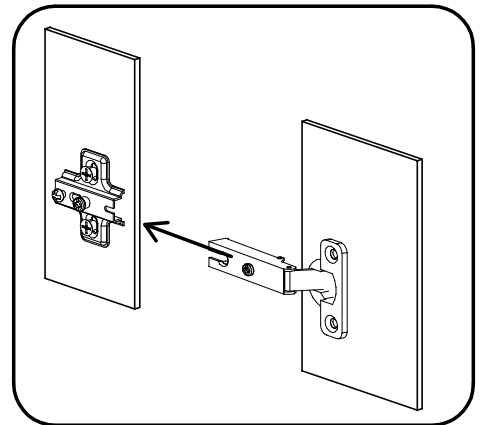
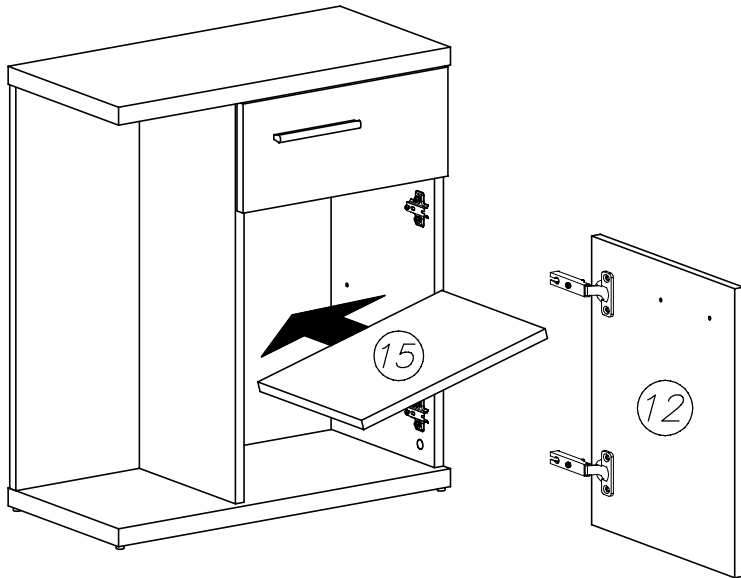




VI

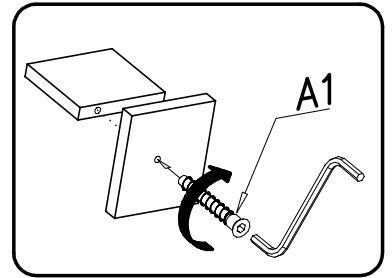
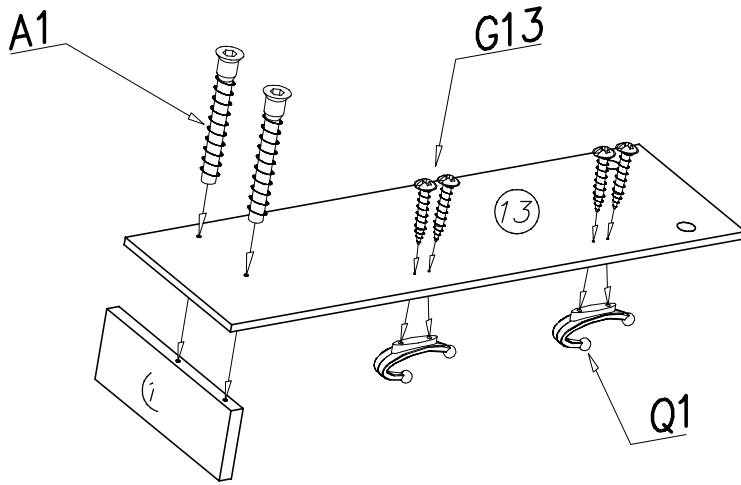


VII

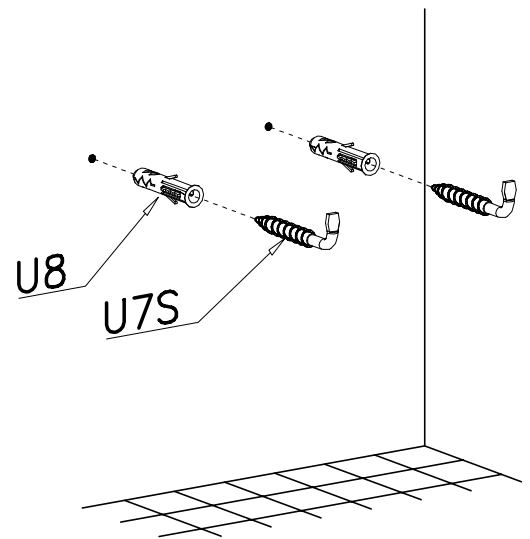
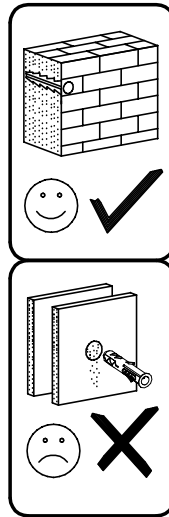
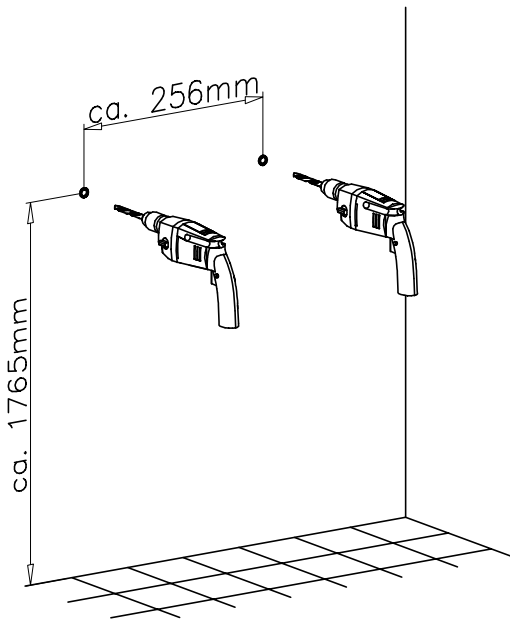




VIII



IX



X

