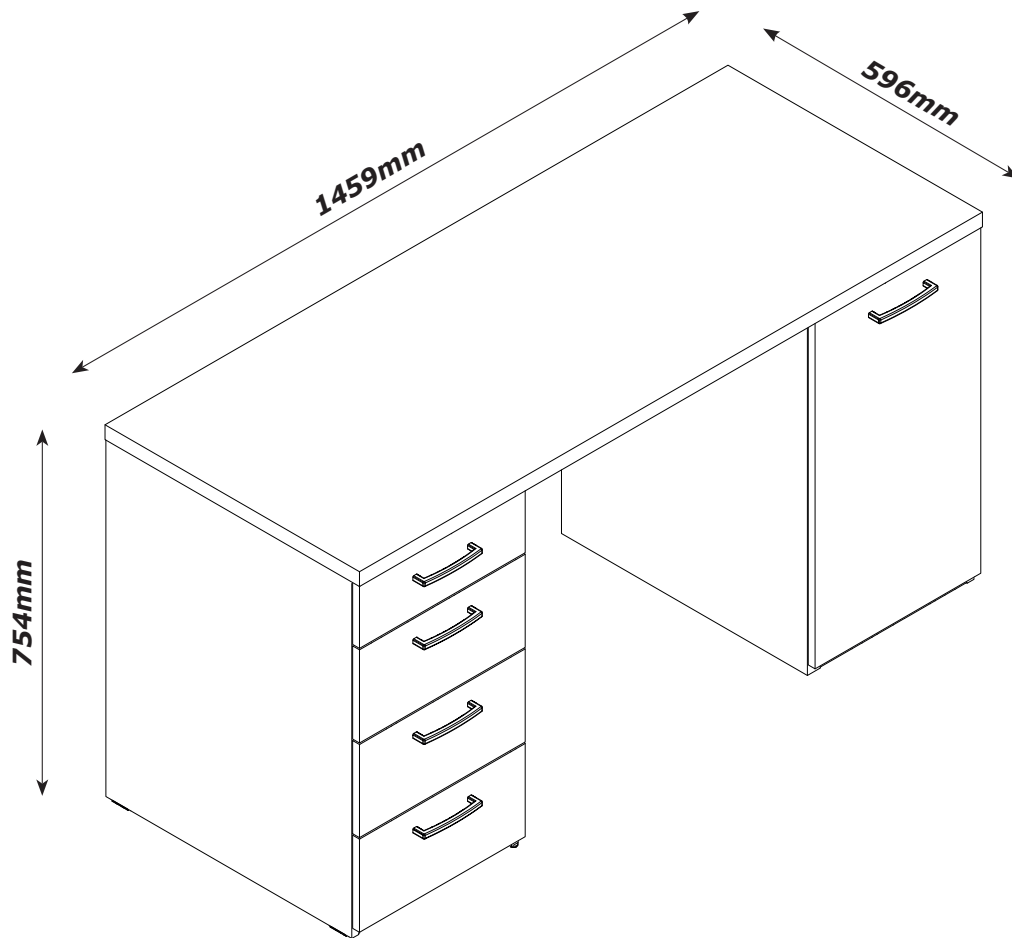
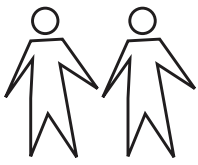


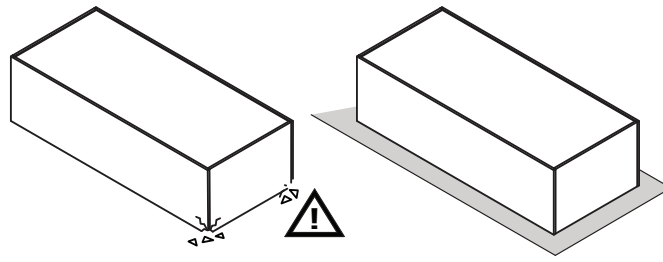
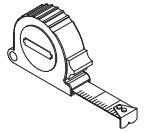
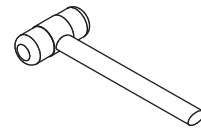
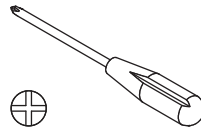
# SR4081K56204



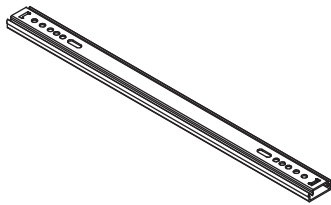
QF5677



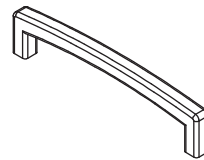
2h



**BU4833**

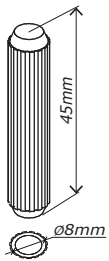


**A34**  
x8



**M72**  
x5

**BU4809**



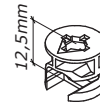
**H325**  
x26



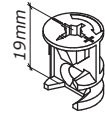
**T28**  
x34



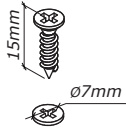
**T78**  
x8



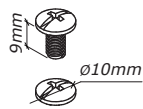
**T7**  
x23



**T97**  
x3



**V5**  
x32



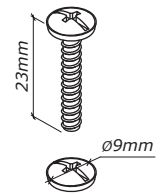
**V38**  
x8



**H54**  
x16



**H15**  
x40



**V25**  
x10



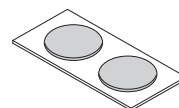
**H2**  
x16



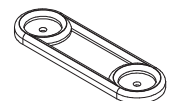
**R40**  
x4



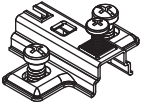
**H113**  
x10



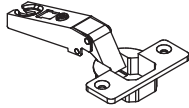
**G161**  
x8



**P16**  
x8



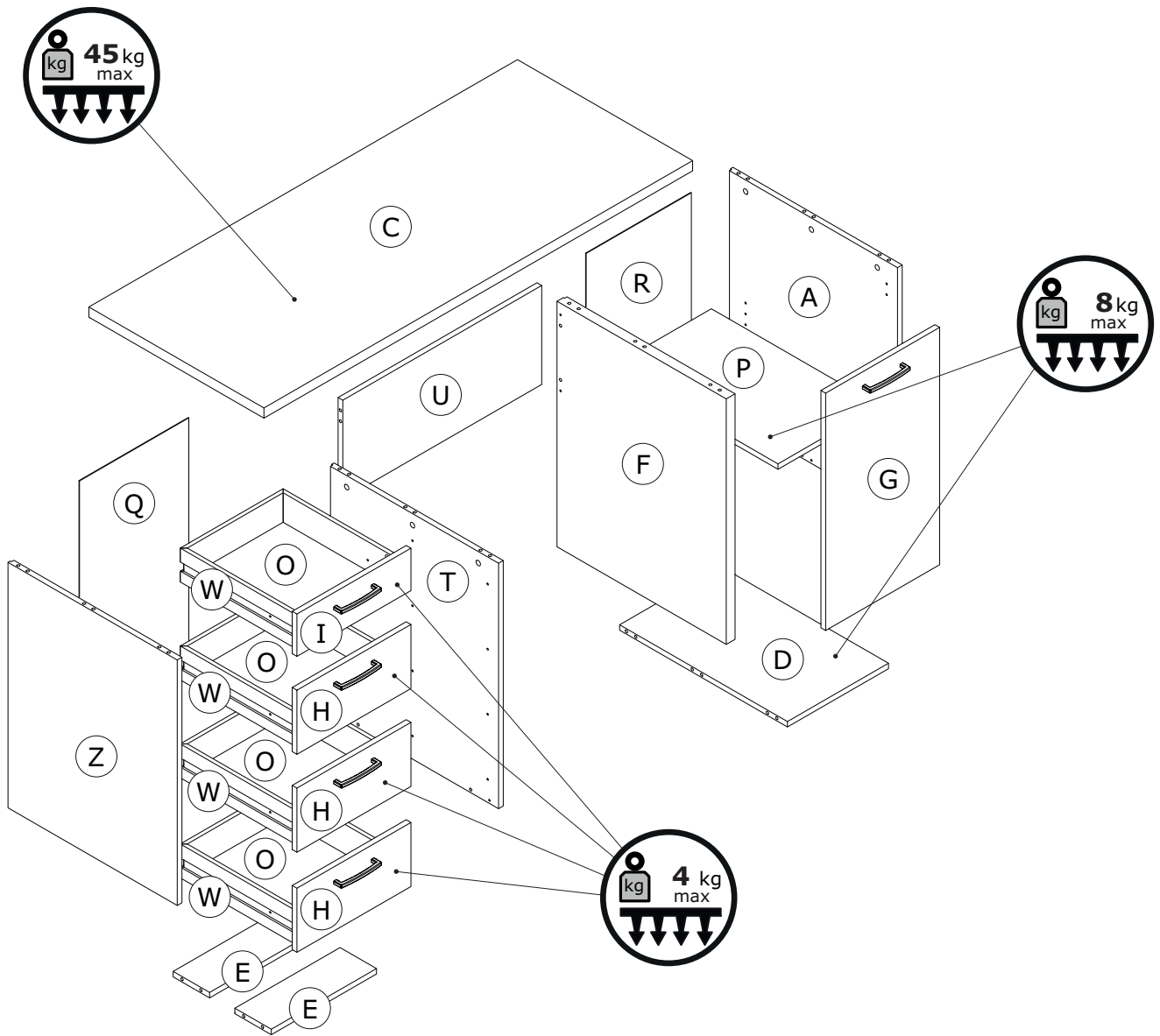
**B23**  
x2

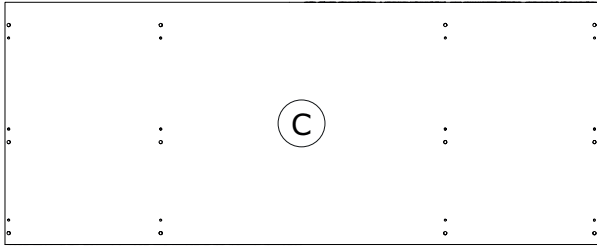


**C66**  
x2

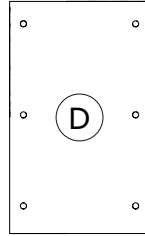


**V5**  
4

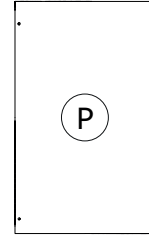




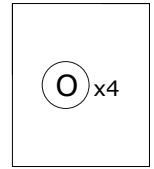
**CA3809**  
1459x596x30mm



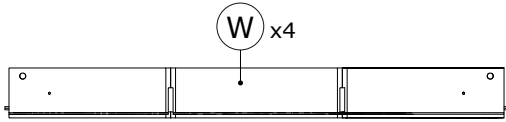
**PI7443**  
344x571x16mm



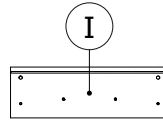
**PI7444**  
344x571x16mm



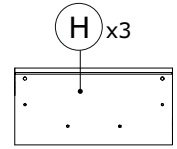
**SH3528**  
401x337x2mm



**OF622**  
400x350x400mm H.100mm

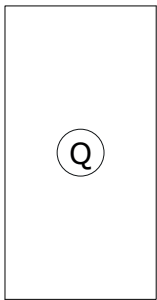


**CS3921**  
388x125x16mm

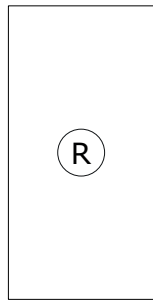


**CS3923**  
388x189x16mm

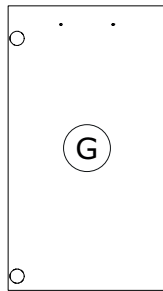
**BOX 1/2**



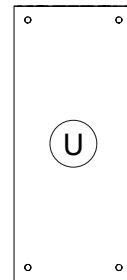
**SH3617**  
722x372x2mm



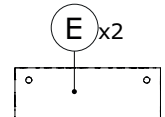
**SH3618**  
722x358x2mm



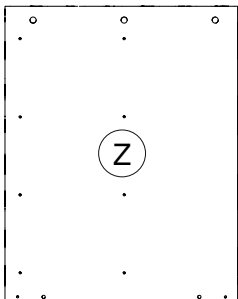
**AN3120**  
700x388x16mm



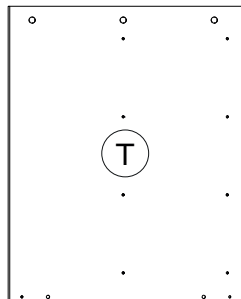
**FS3438**  
677x292x16mm



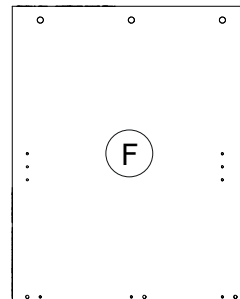
**FS3436**  
358x124x16mm



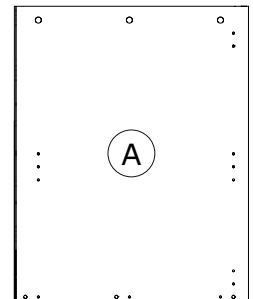
**FI9131**  
724x576x16mm



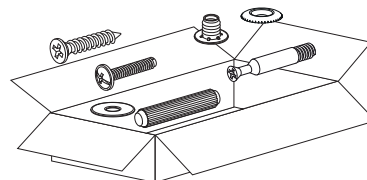
**TR2425**  
724x576x16mm



**TR2426**  
724x576x30mm

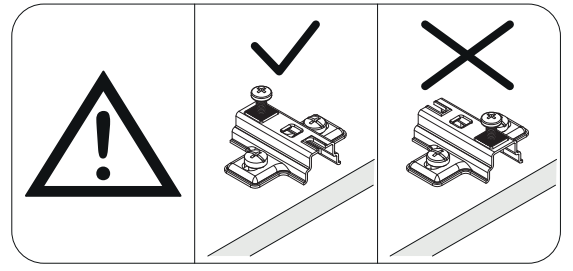
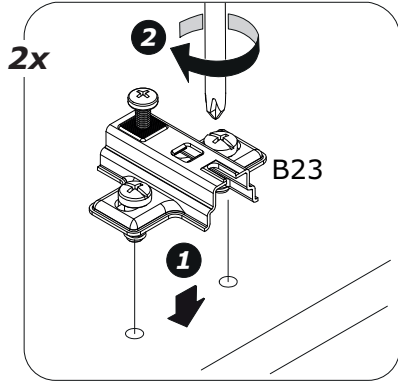
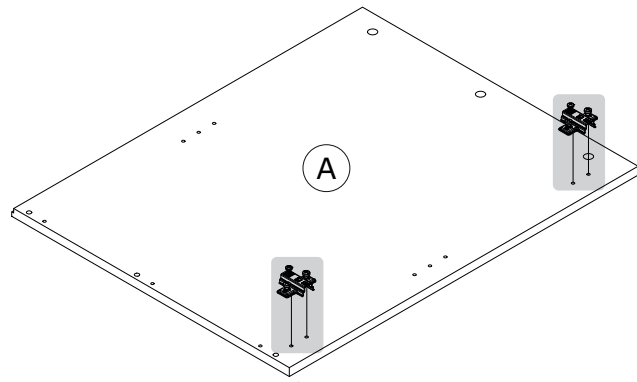
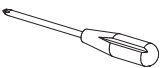


**FI9132**  
724x576x16mm

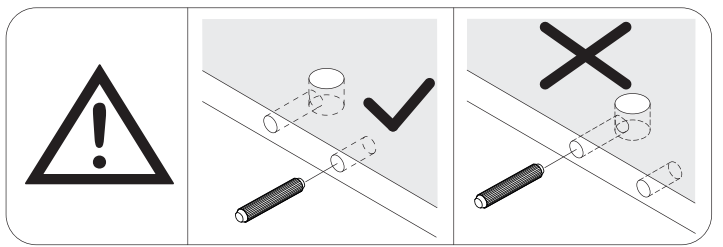
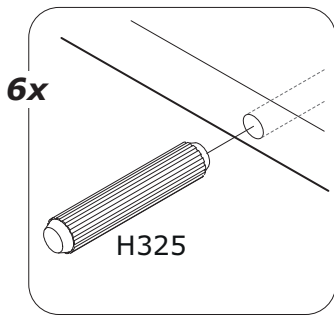
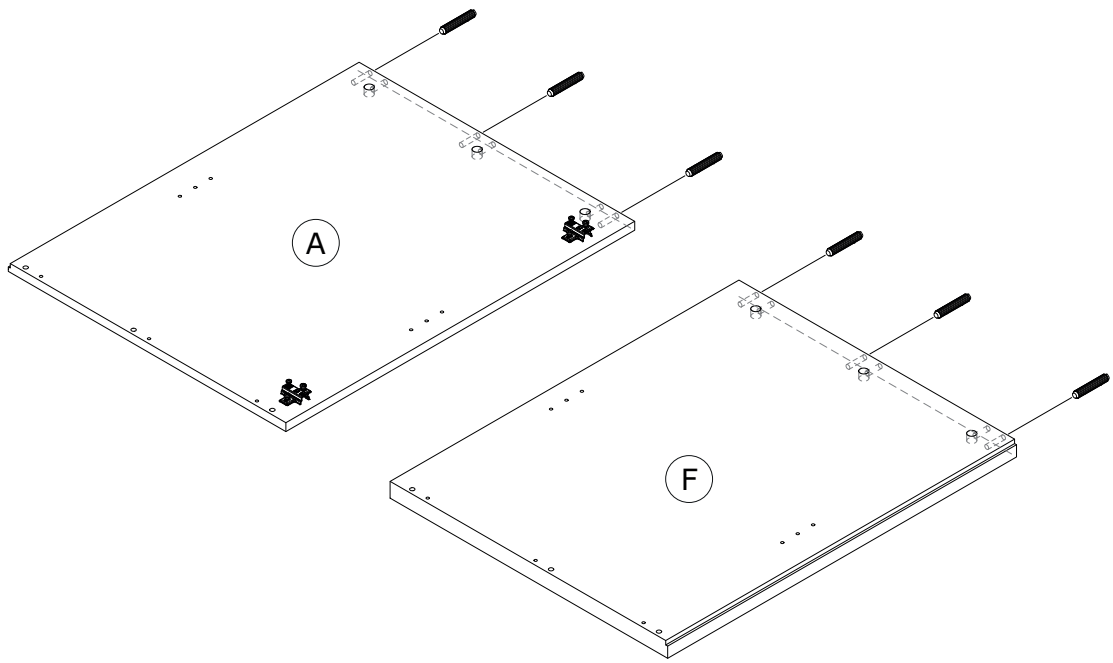
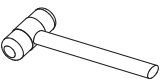


**BOX 2/2**

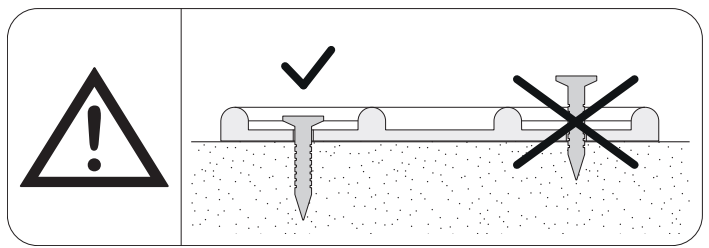
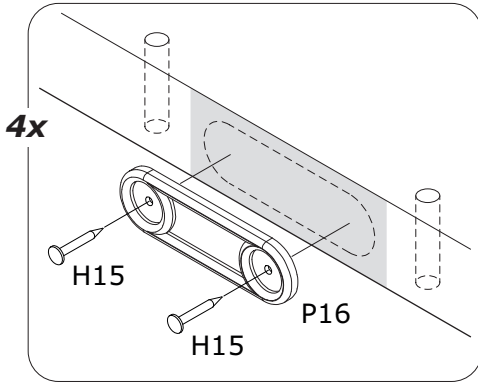
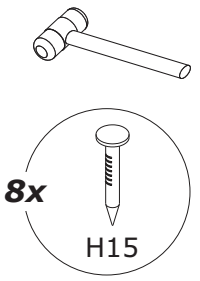
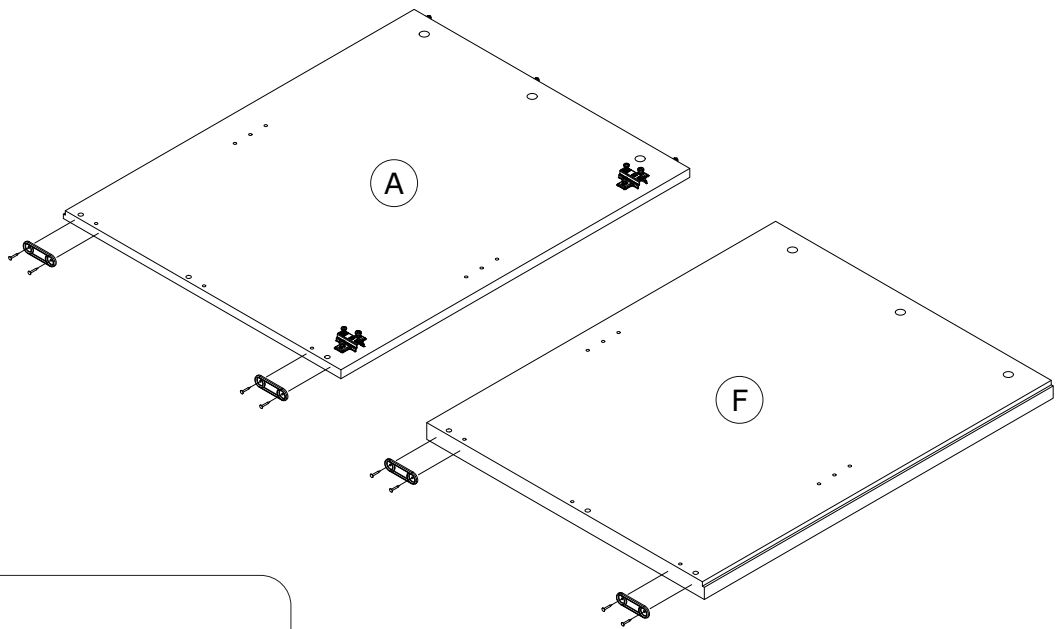
1



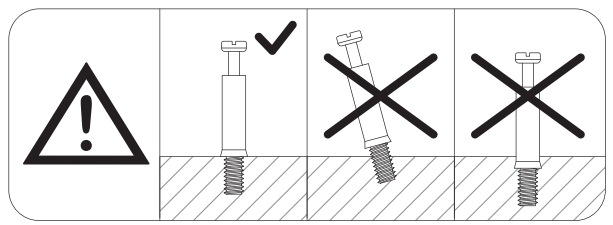
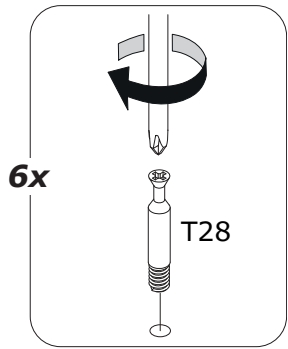
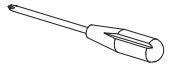
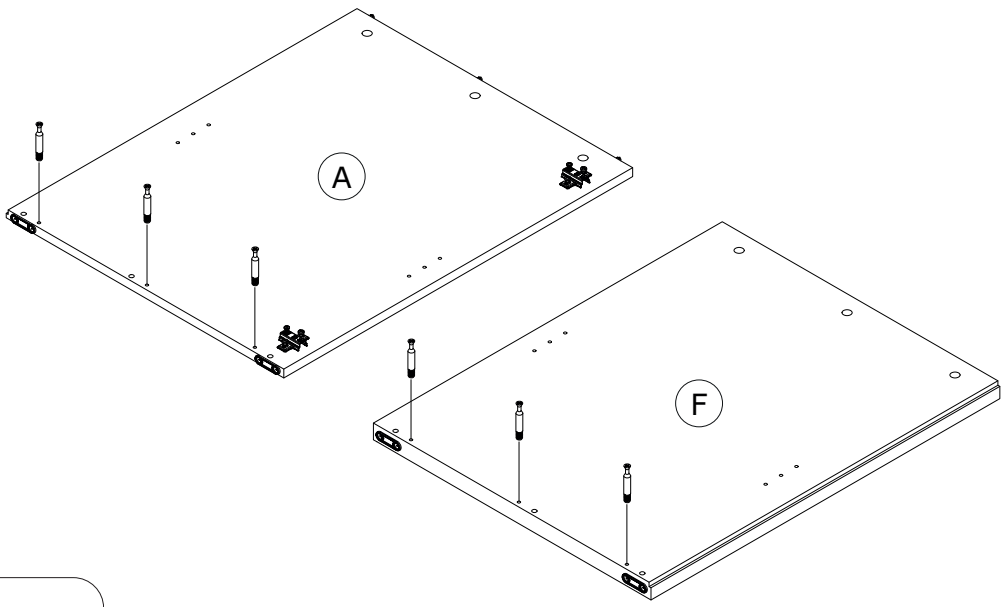
2



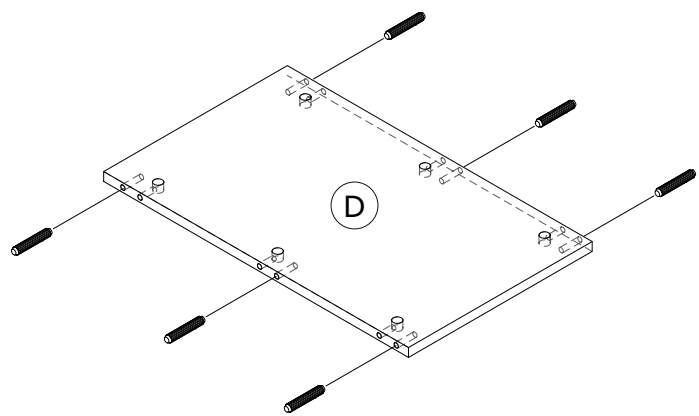
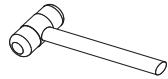
3



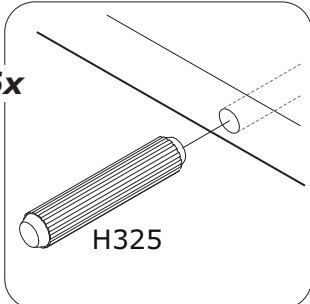
4



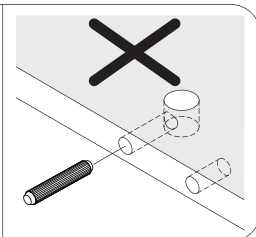
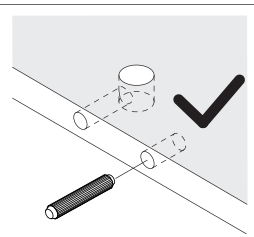
5



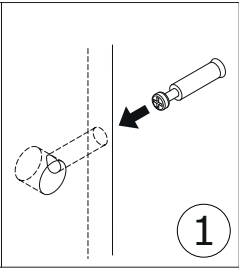
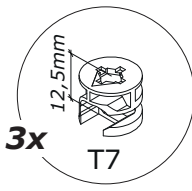
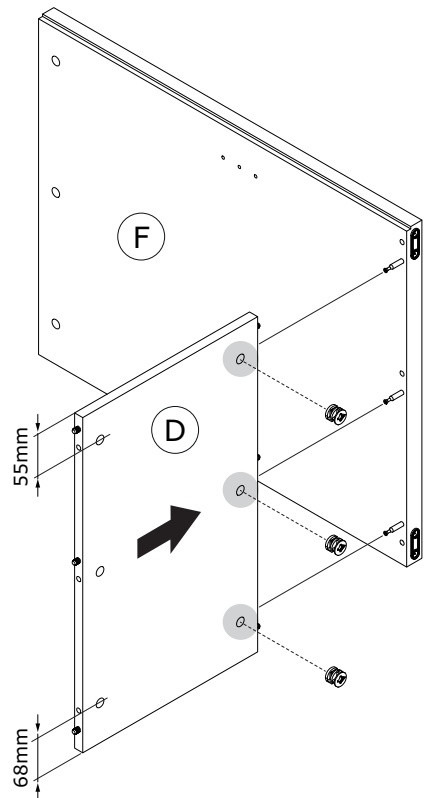
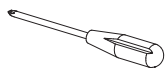
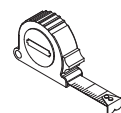
6x



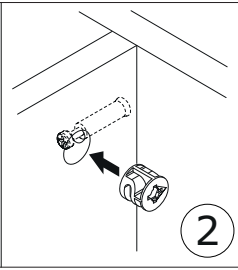
H325



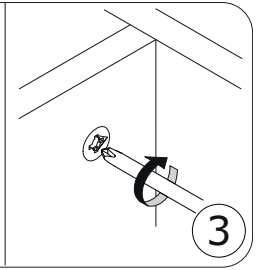
6



1

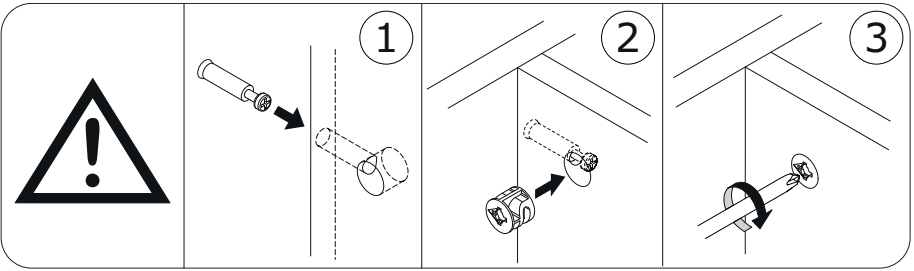
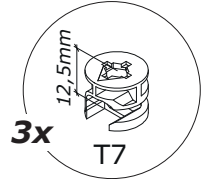
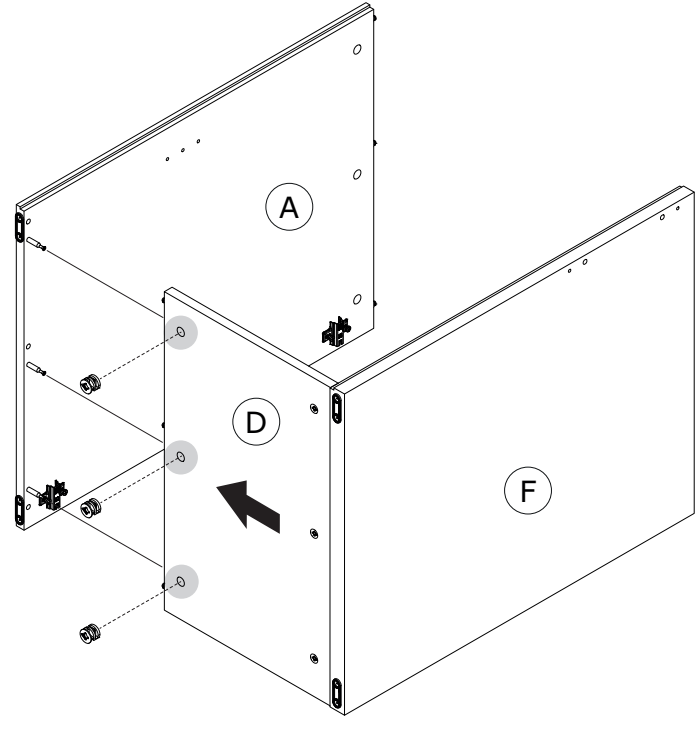
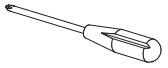


2

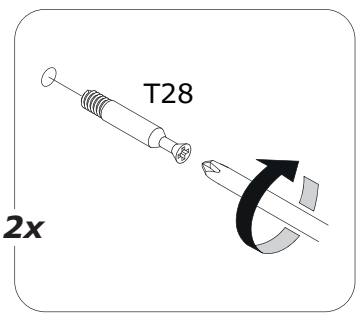
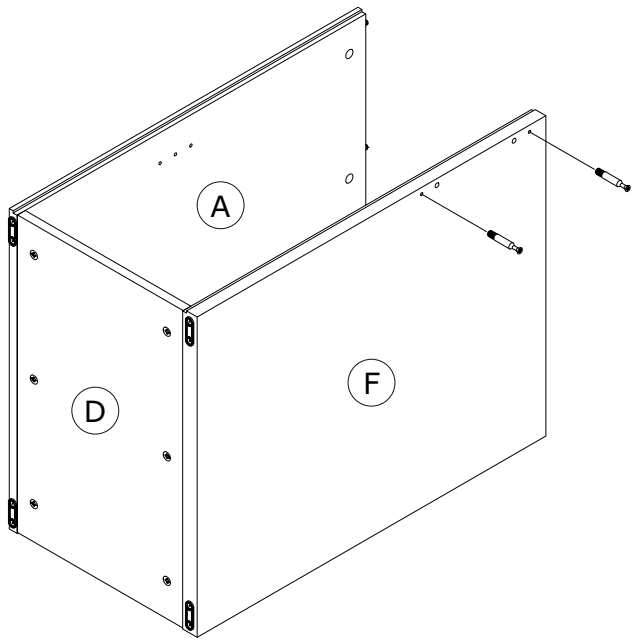
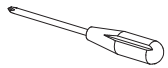


3

7

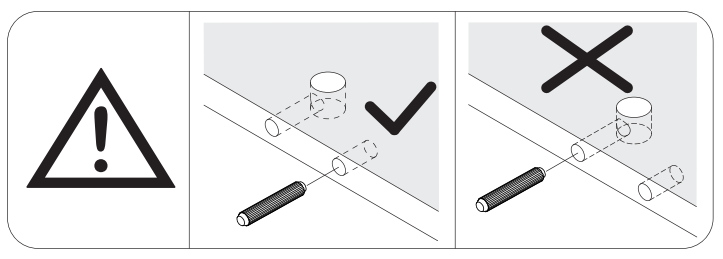
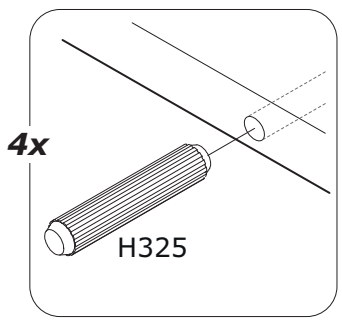
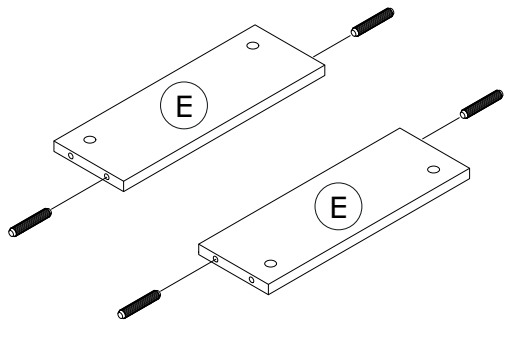
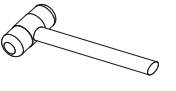


8

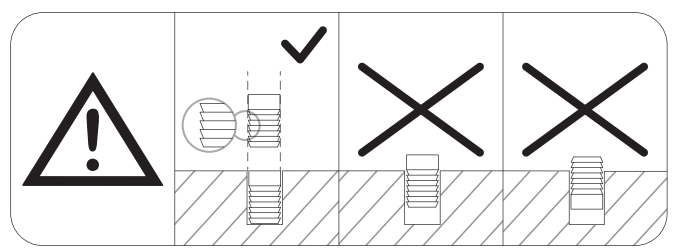
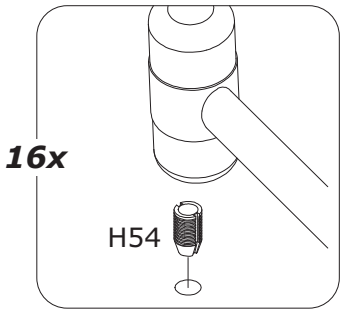
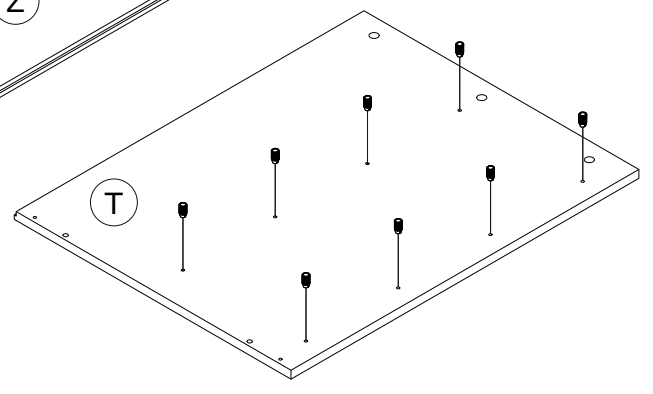
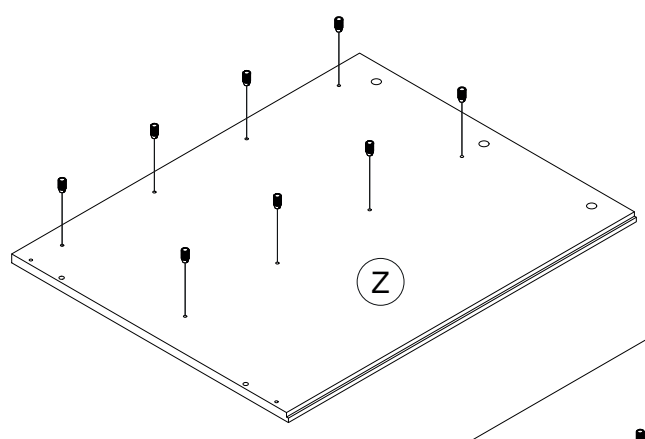
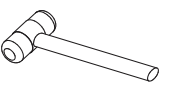




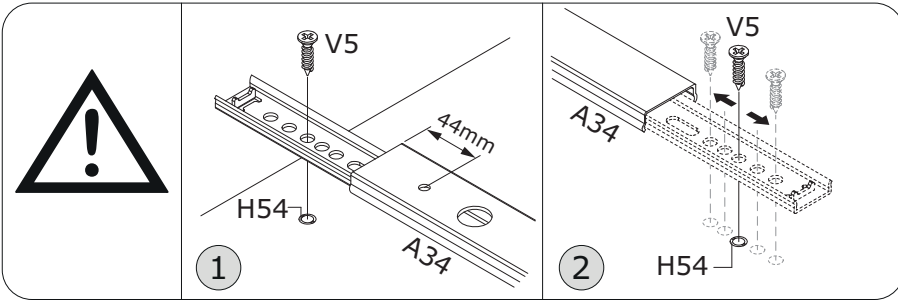
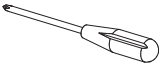
9



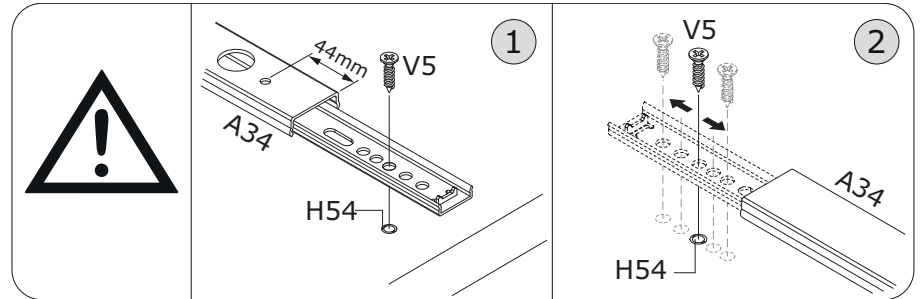
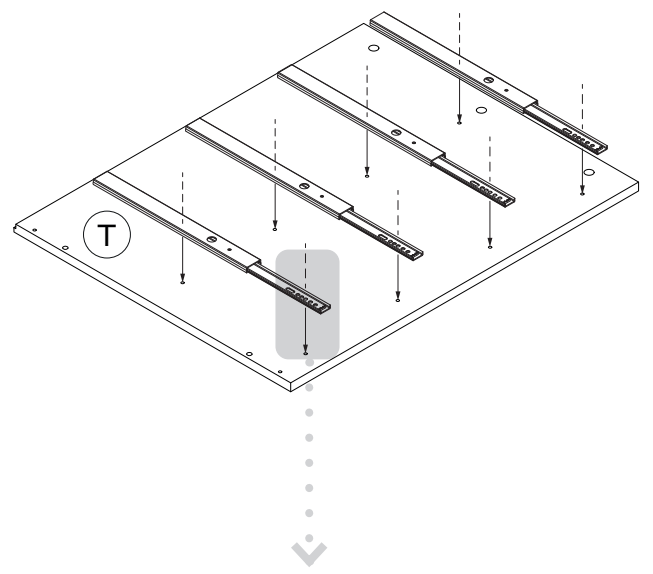
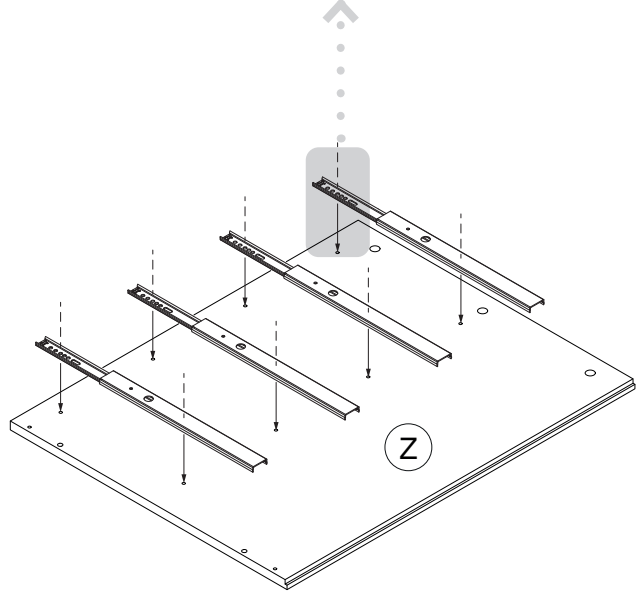
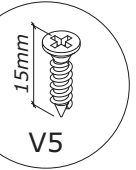
10



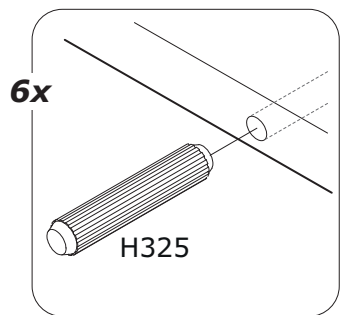
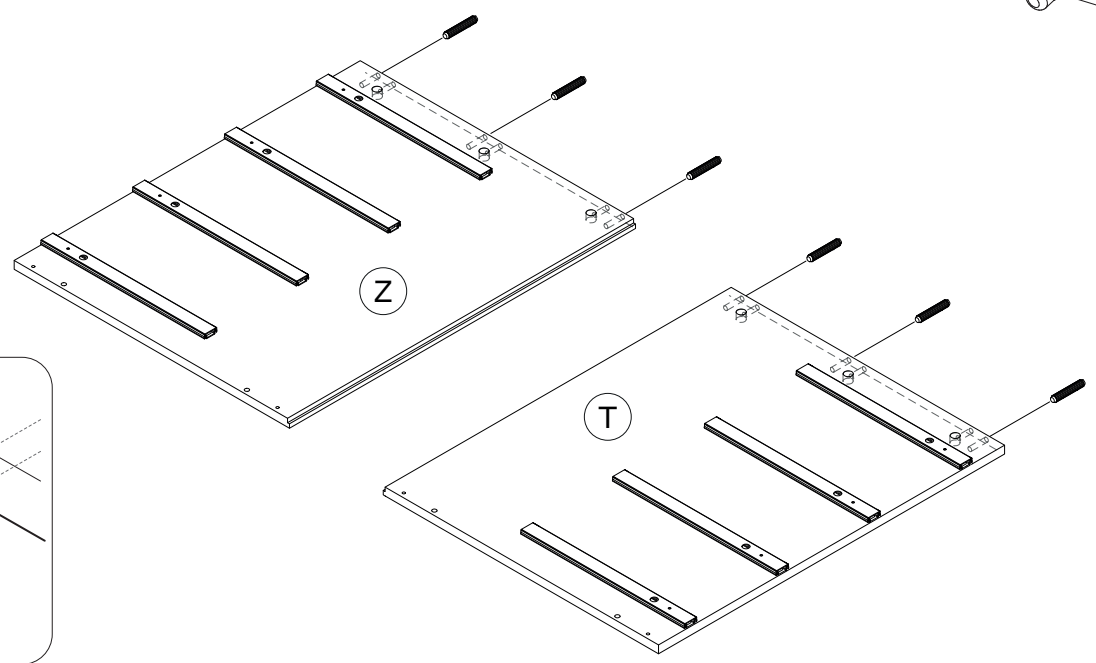
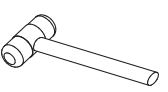
11



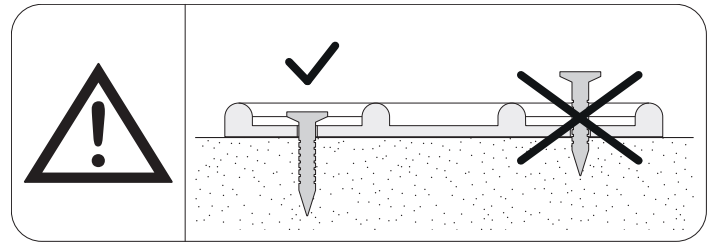
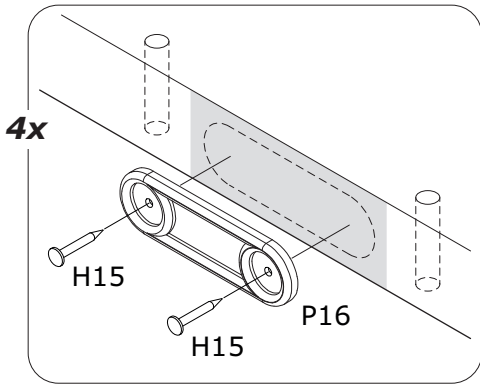
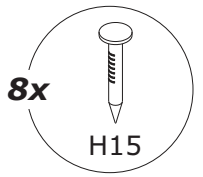
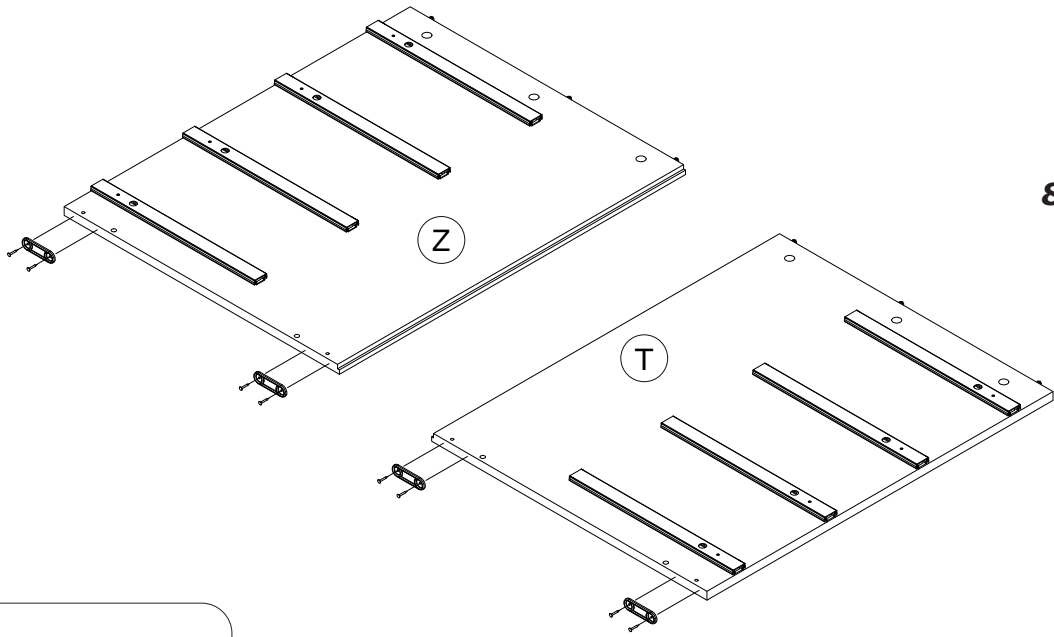
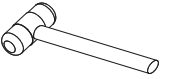
16x



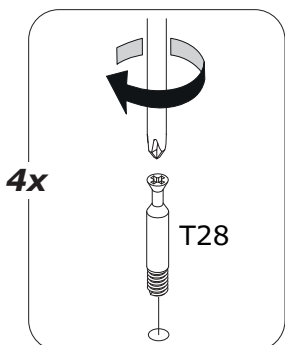
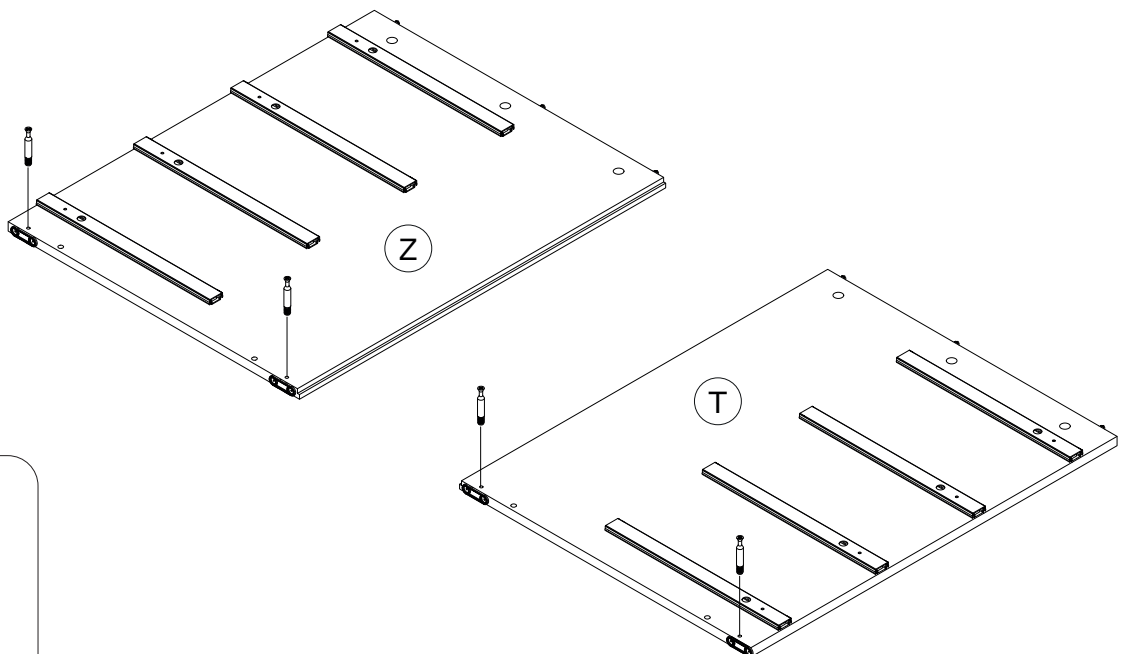
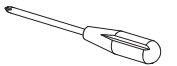
12



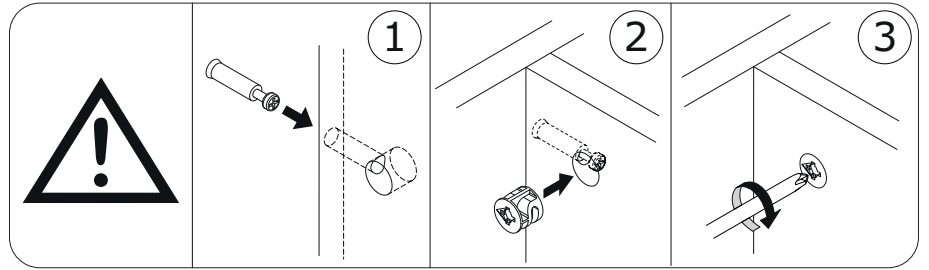
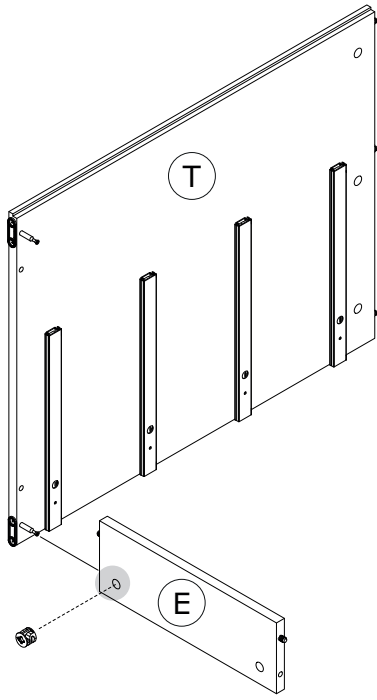
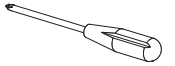
13



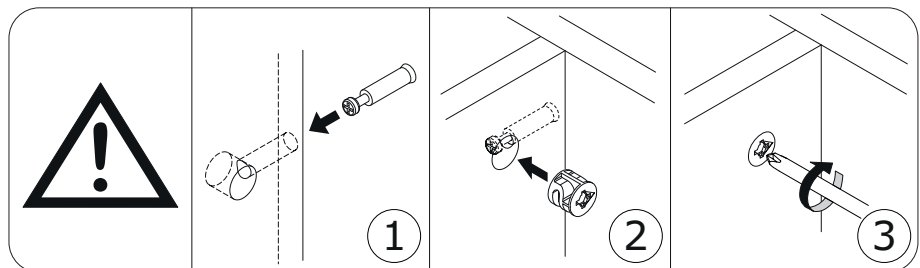
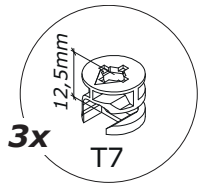
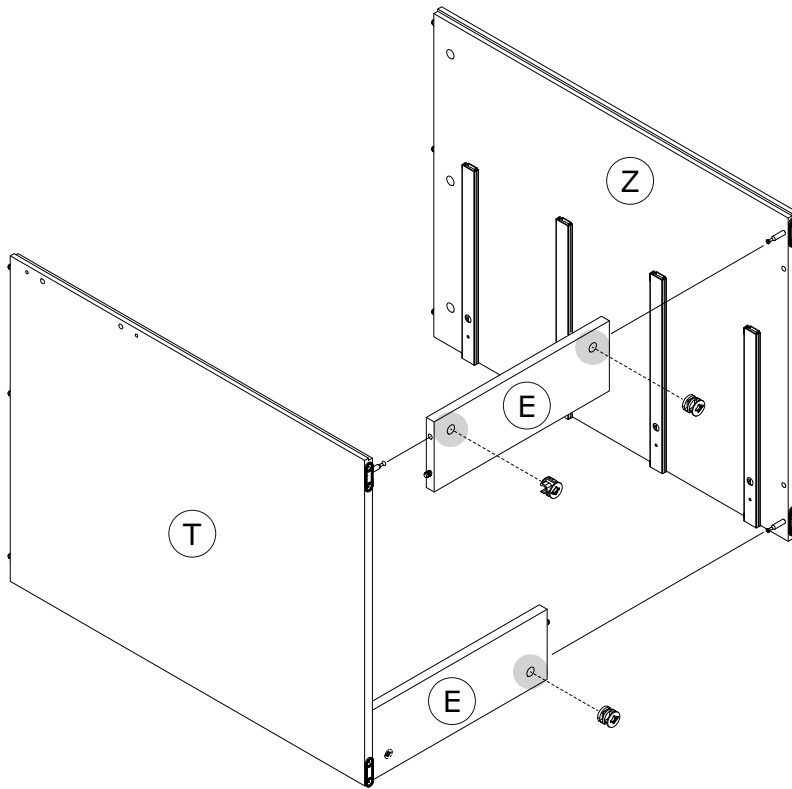
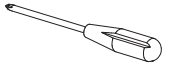
14



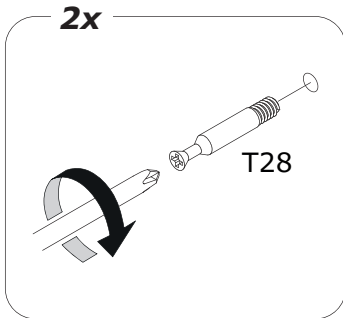
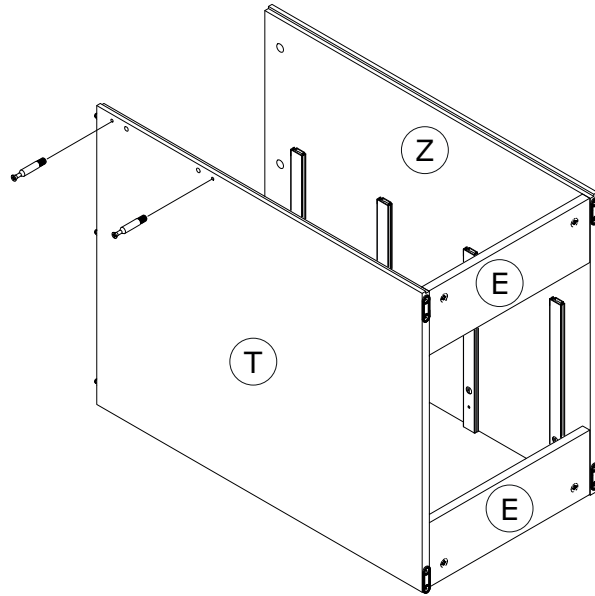
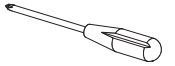
15



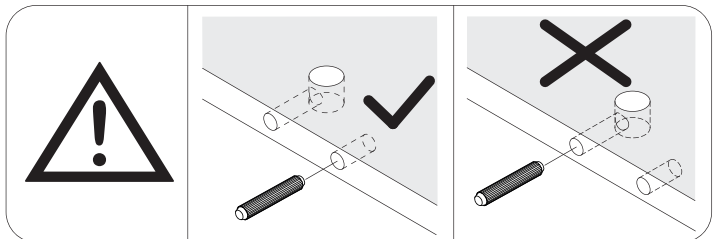
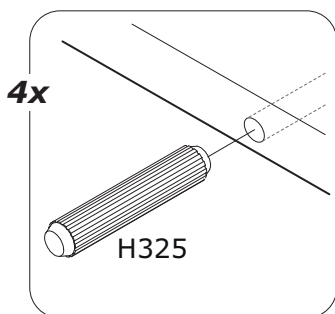
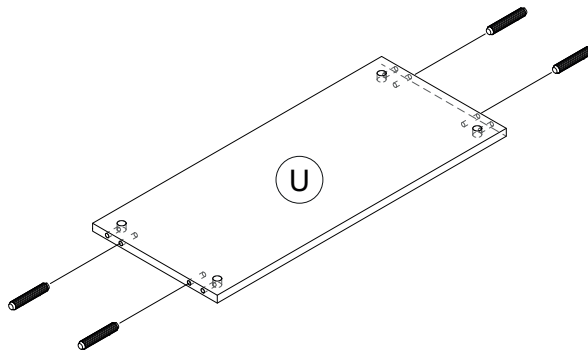
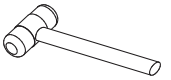
16



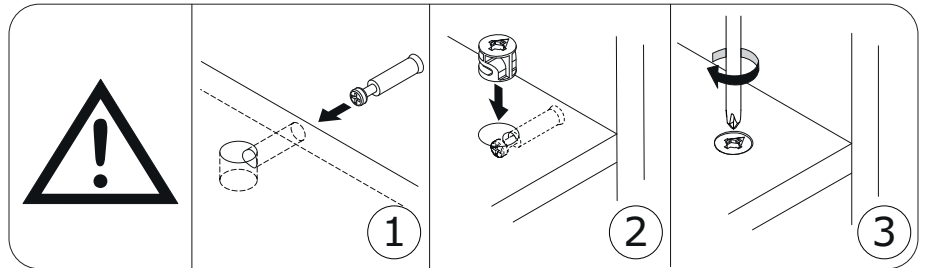
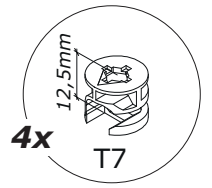
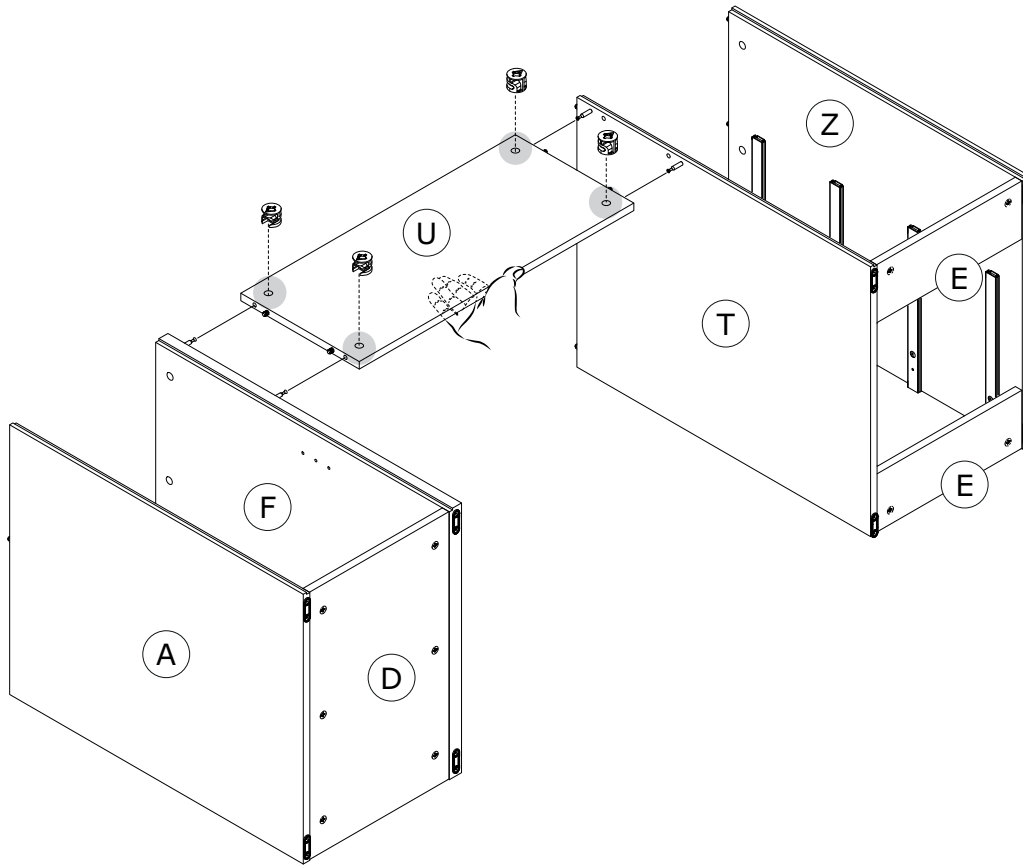
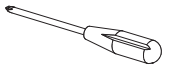
17



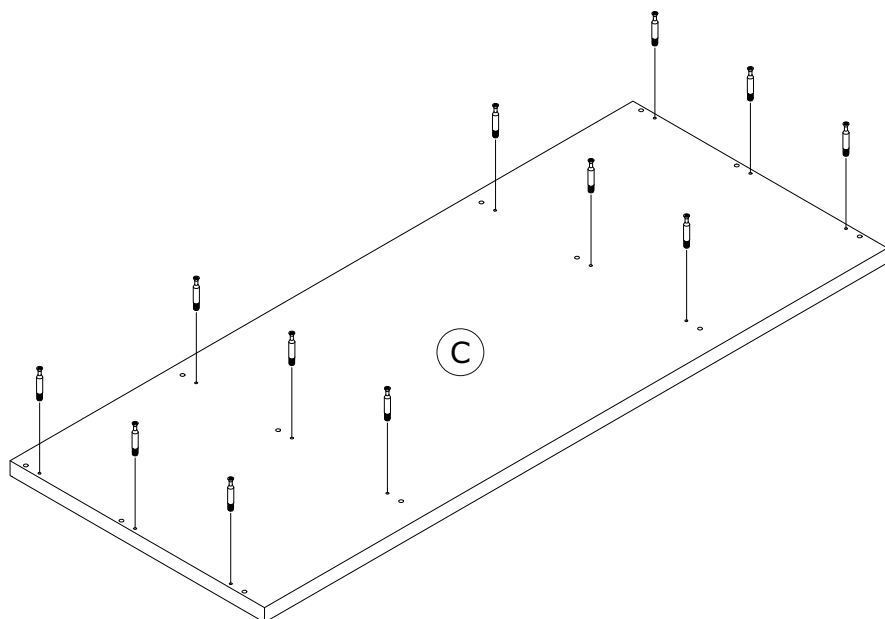
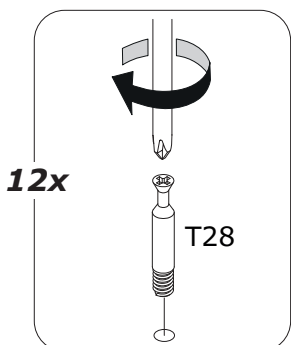
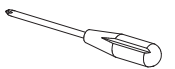
18

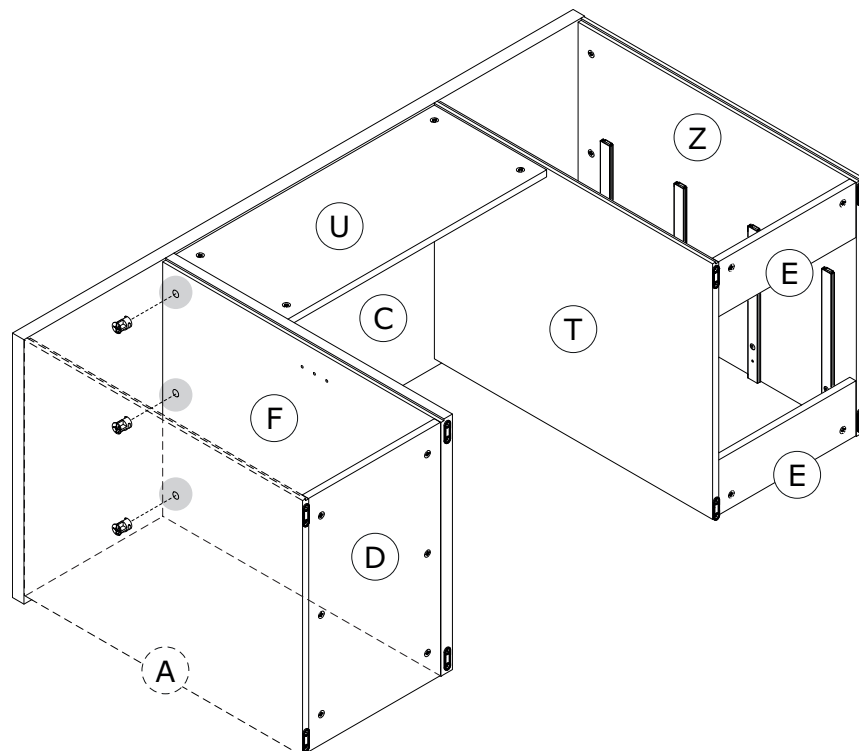
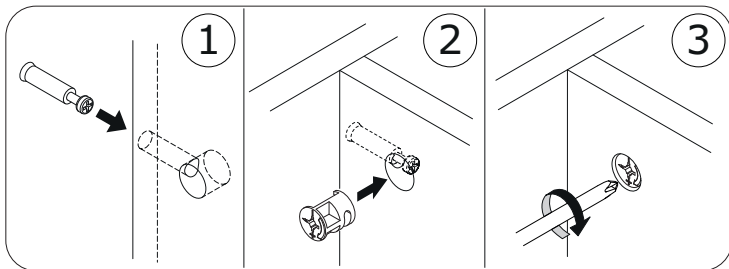
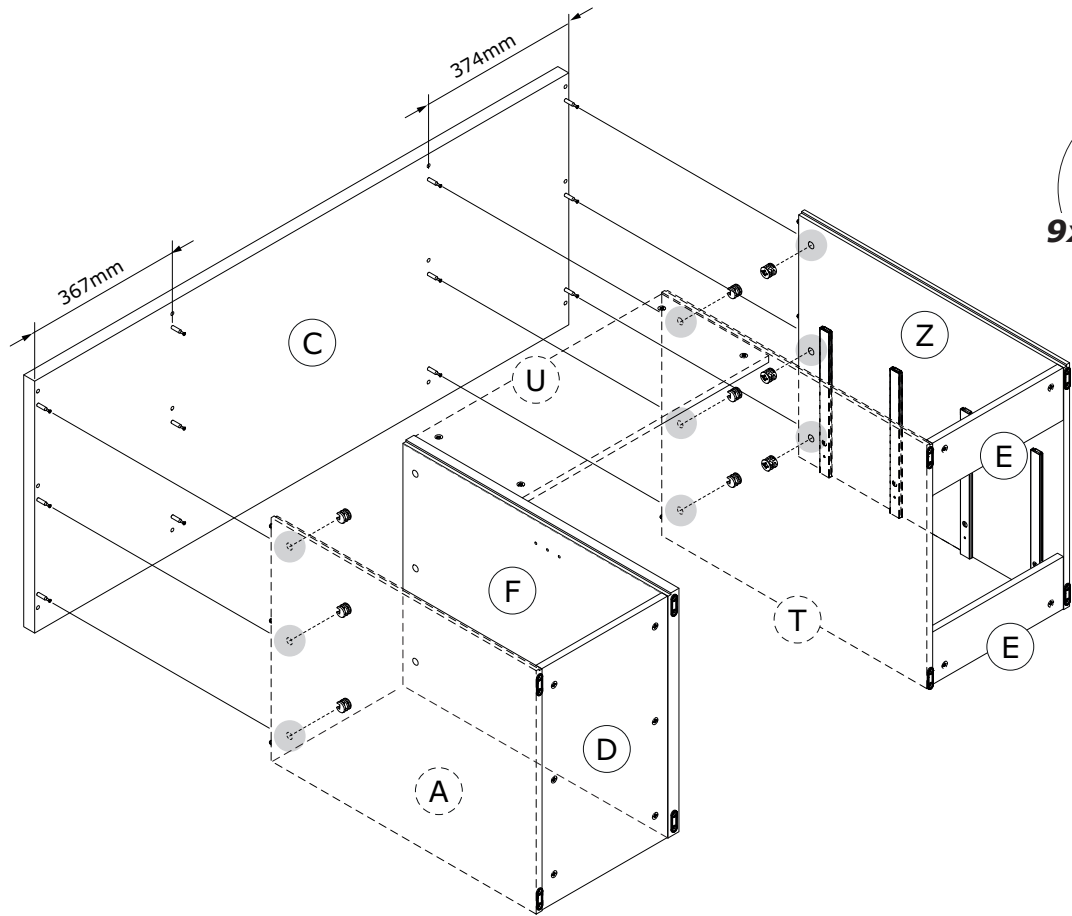


19

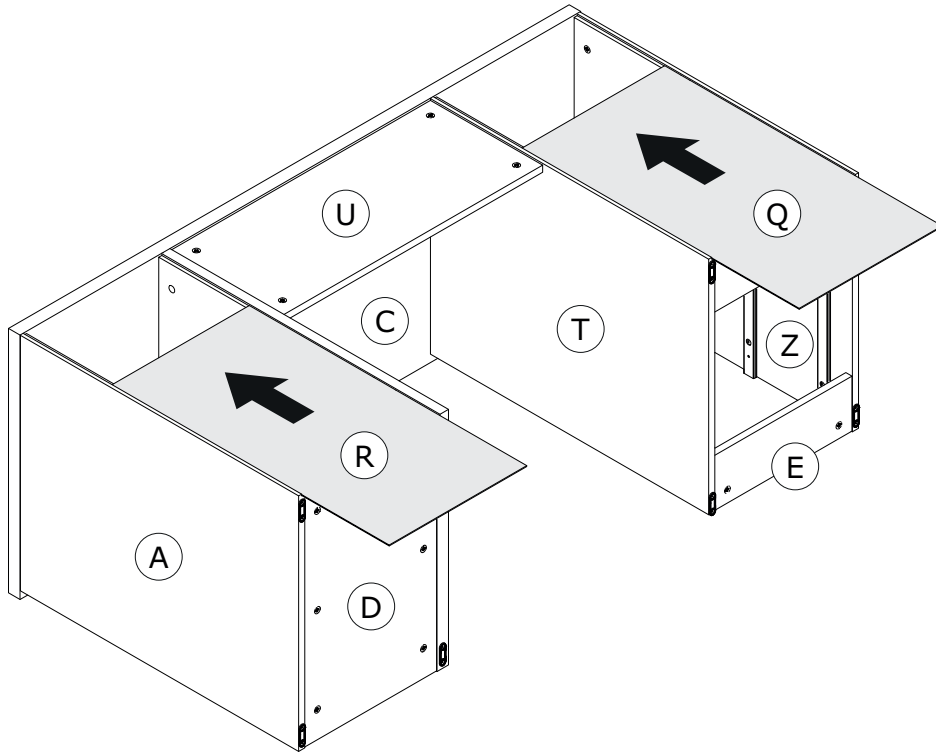


20

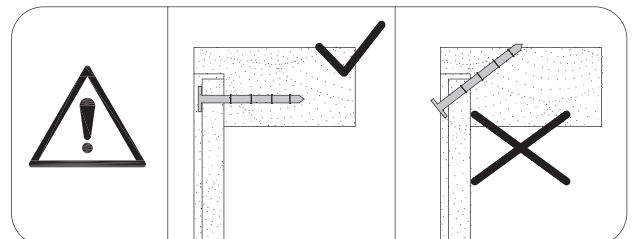
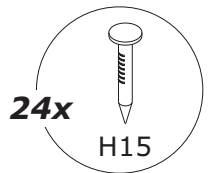
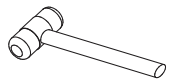
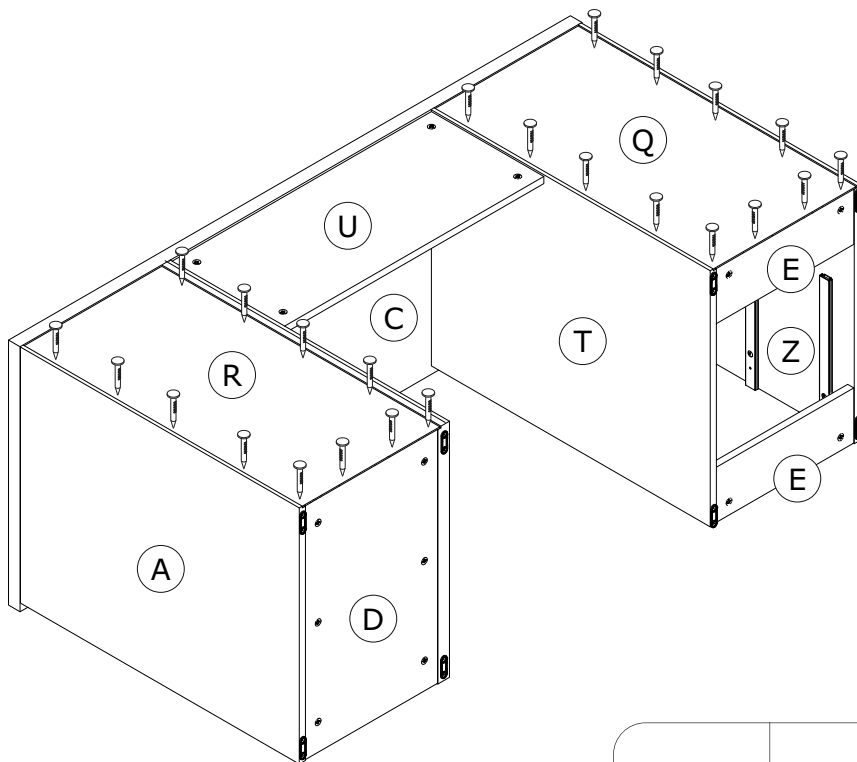




22

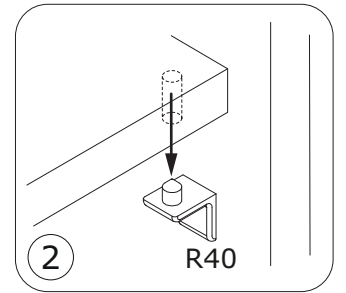
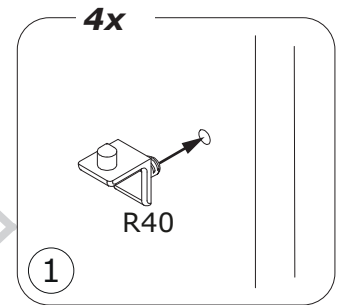
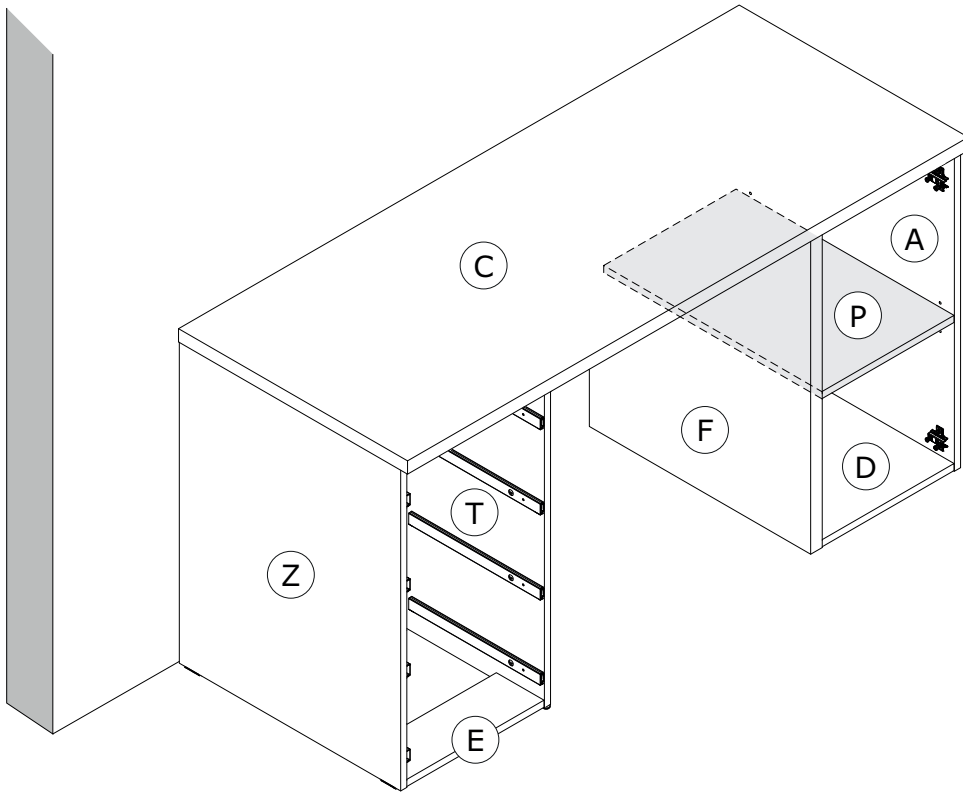


23

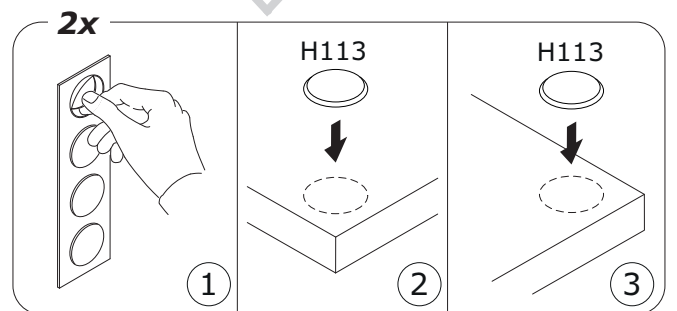
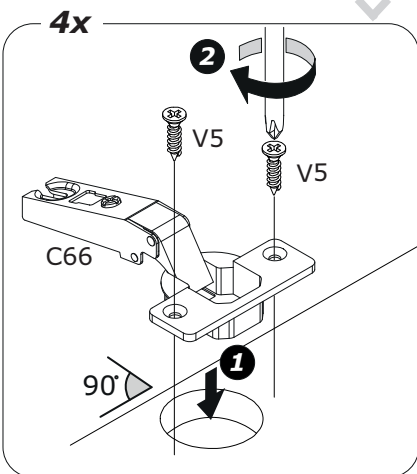
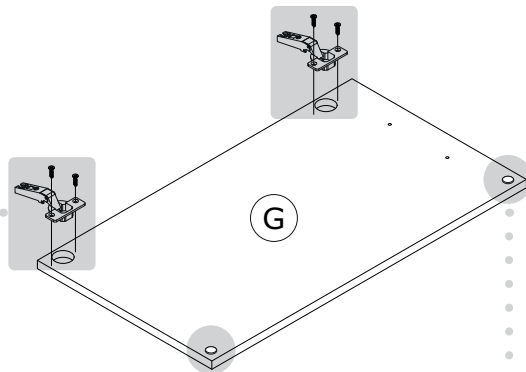
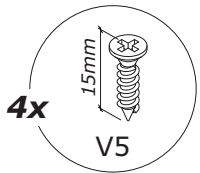
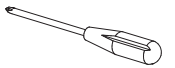


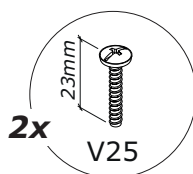
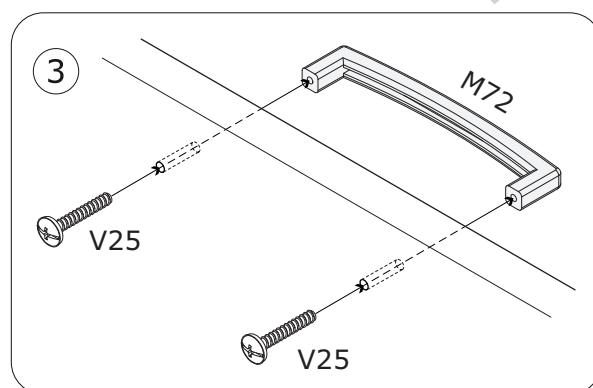
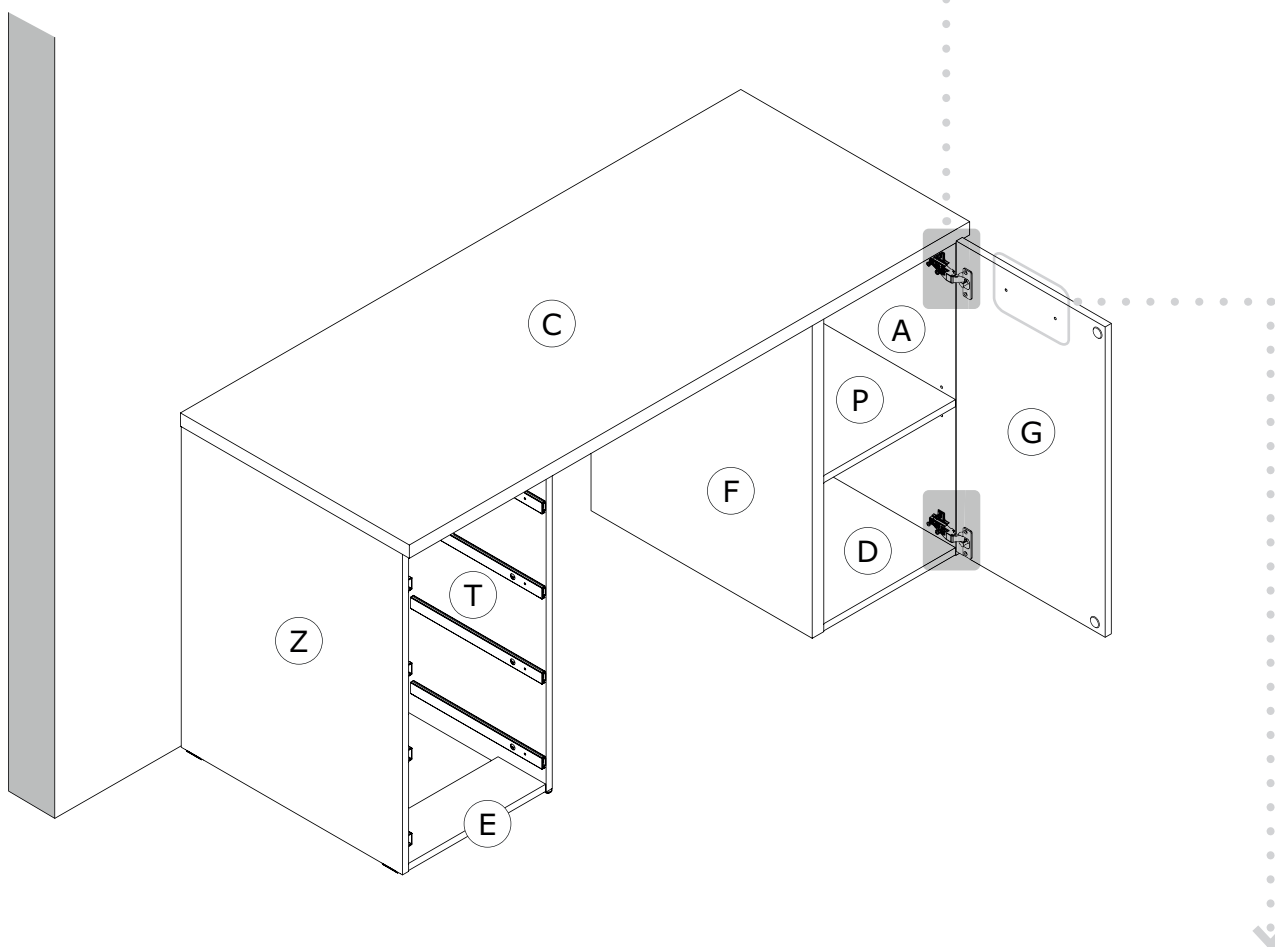
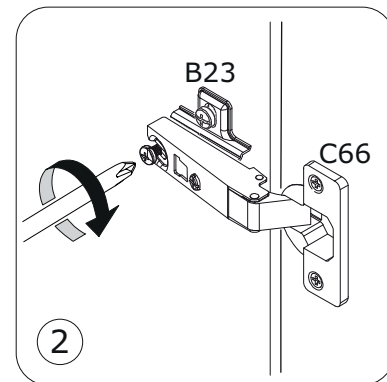
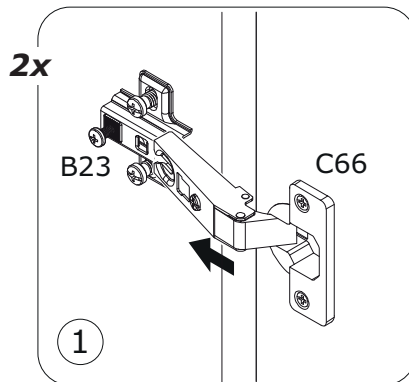
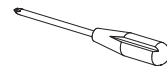


24

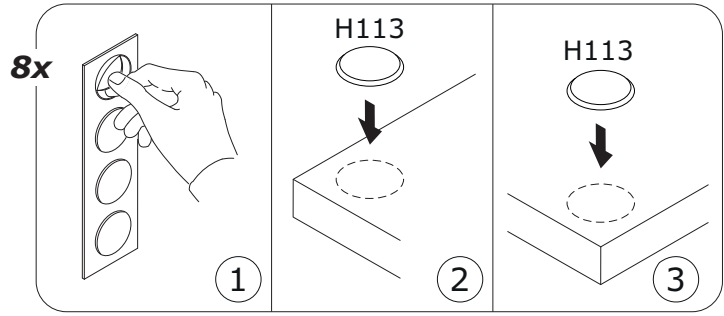
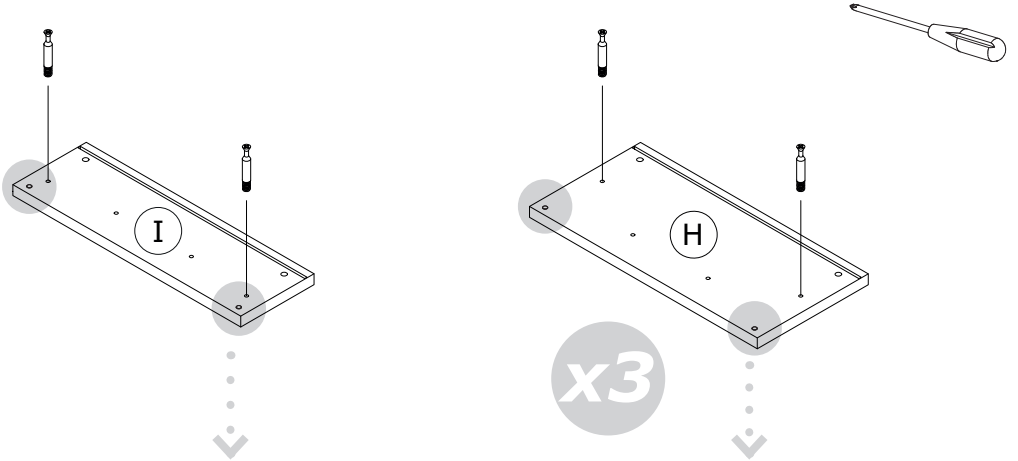
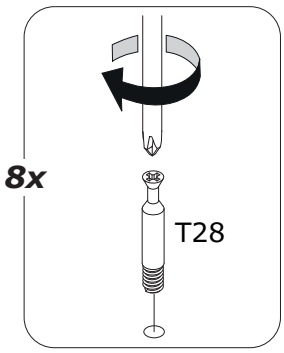


25



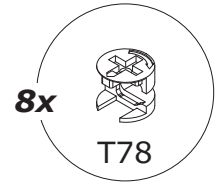
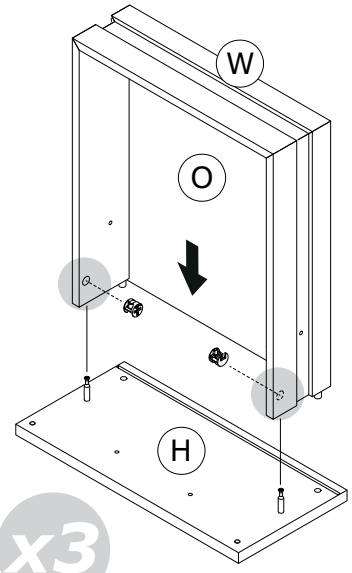
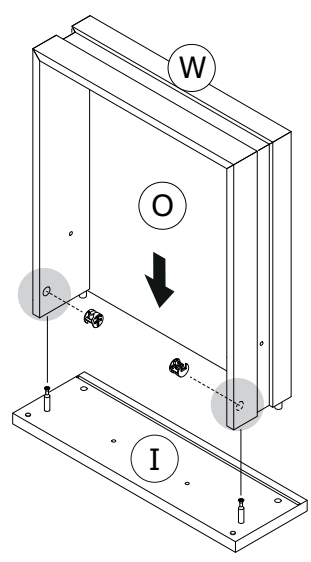
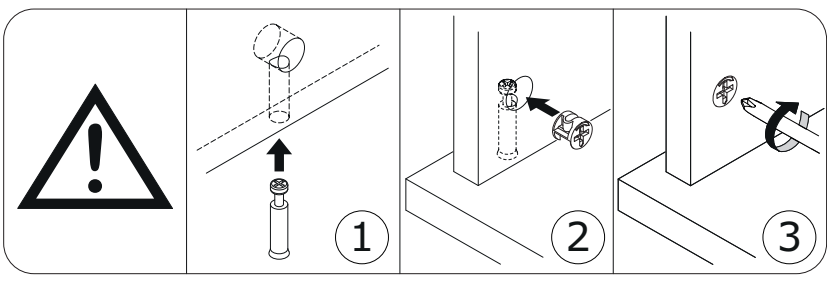
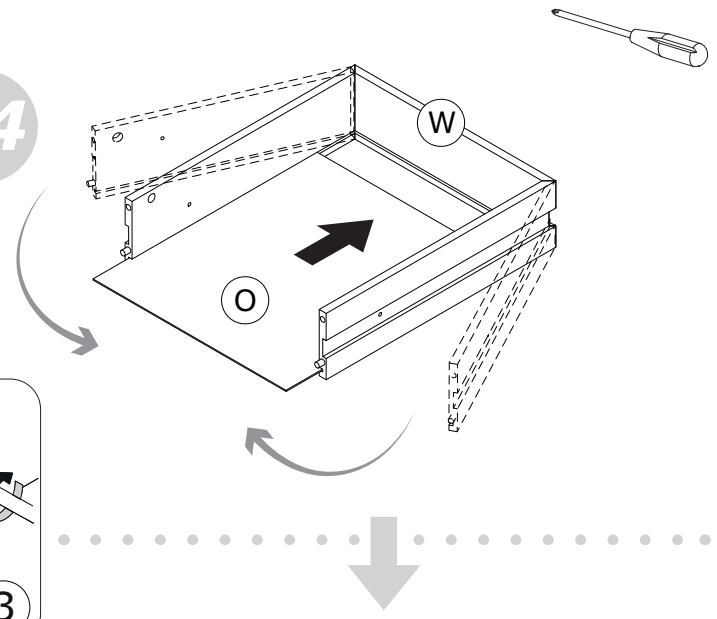


27



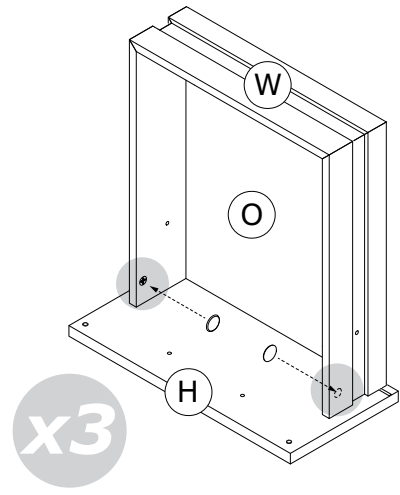
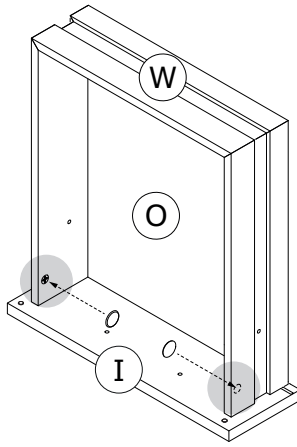
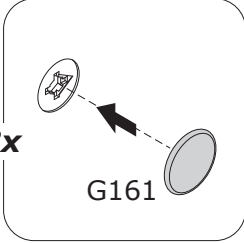
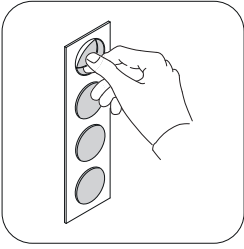
28

x4

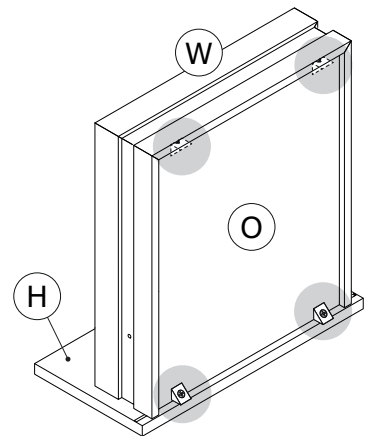
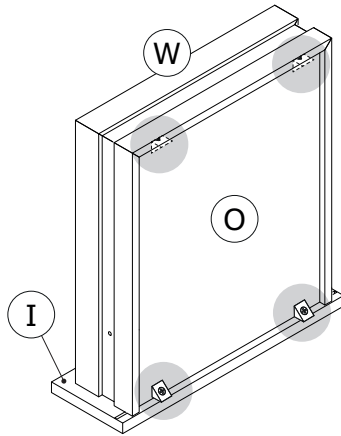
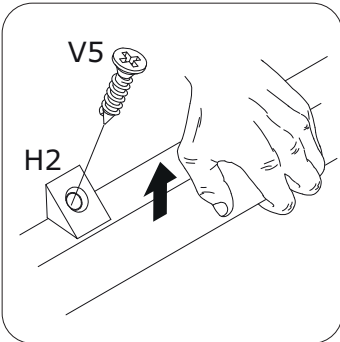
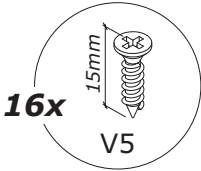
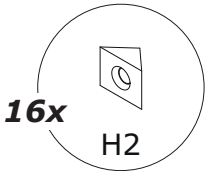
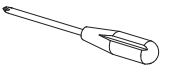


x3

29



30



31

