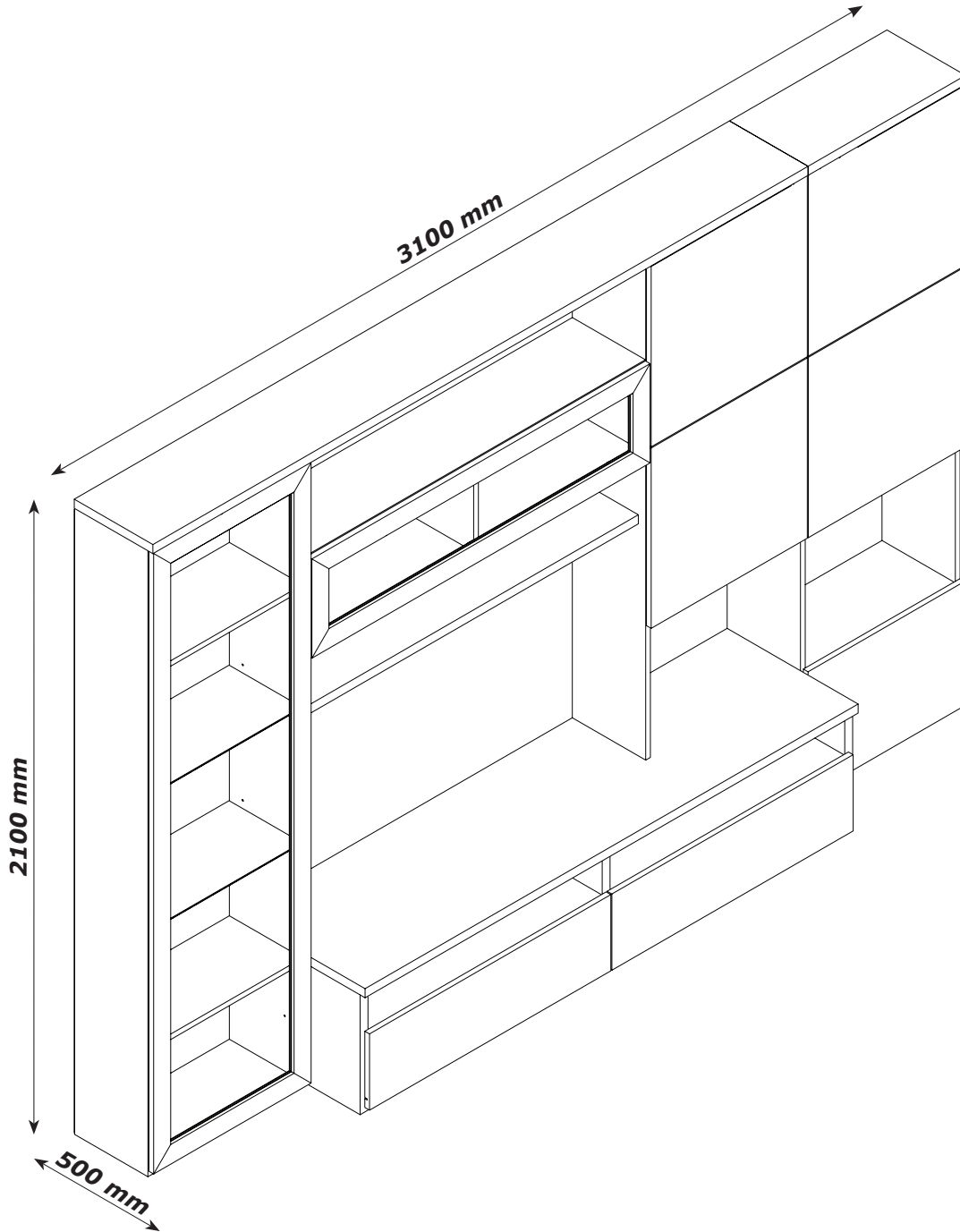


# HT3321K51204

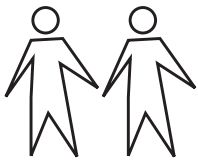


QF5358-5

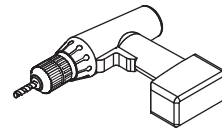
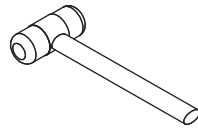
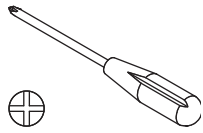


MADE IN ITALY

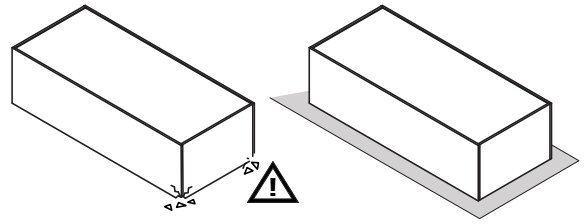
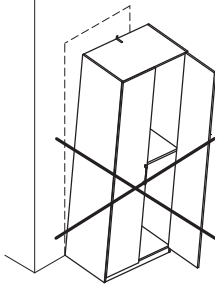
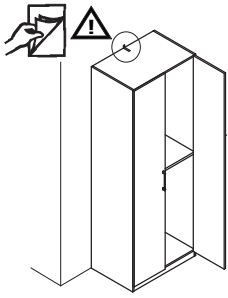
Produced by COMPOSAD srl, Via Lombardia 29, 46019 Viadana (MN) ITALY



3h



∅5mm



### BU4385

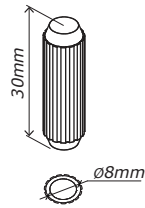
### BU4386



**T83**  
x76



**V35**  
x2



**H1**  
x64



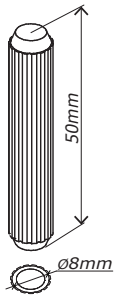
**V57**  
x2



**V45**  
x2



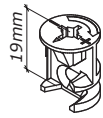
**V6**  
x12



**H32**  
x4



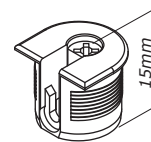
**T99**  
x62



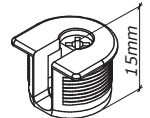
**T97**  
x6



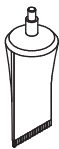
**T98**  
x8



**T111**  
x4



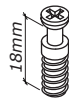
**T70**  
x8



**H14**  
x1



**V13**  
x8



**T69**  
x12



**V94**  
x3



**R40**  
x16



**R31**  
x8



**V81**  
x4



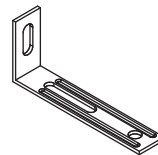
**V42**  
x8



**H129**  
x4



**T9**  
x2



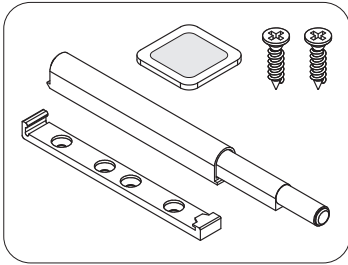
**H185**  
x2



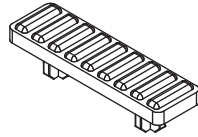
**V98**  
x6



**G117**  
x40



**H214**  
x5



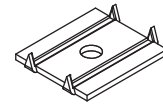
**P6**  
x14



**G136**  
x8



**H15**  
x100

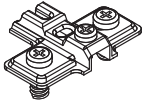


**H99**  
x14

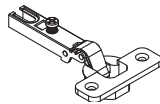


**V5**  
x22

**BU4275 x2**



**B38**  
x6

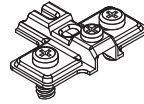


**C1**  
x6

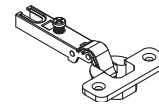


**V5**  
x12

**BU4276**



**B38**  
x5

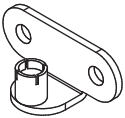


**C1**  
x5

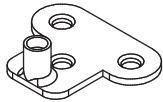


**V5**  
x10

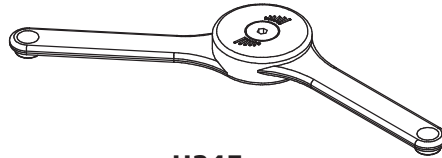
**BU3070**



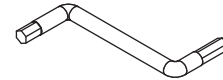
**H110**  
x1



**H109**  
x1



**H245**  
x1

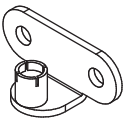


**H3**  
x1

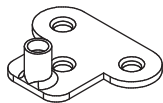


**V13**  
x4

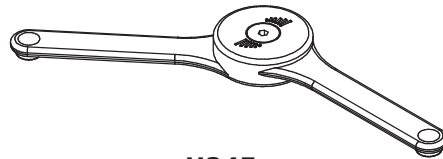
**BU3070**



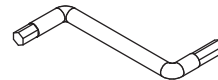
**H110**  
x1



**H109**  
x1



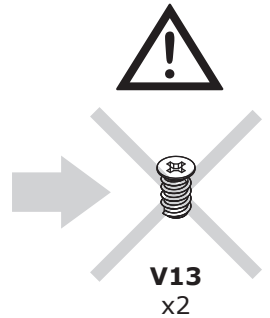
**H245**  
x1



**H3**  
x1

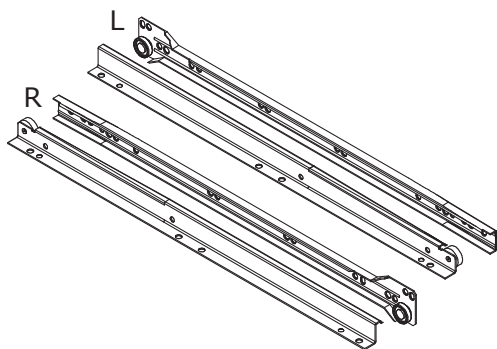


**V13**  
x4

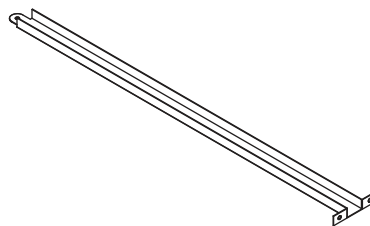


**V13**  
x2

**BU4829**



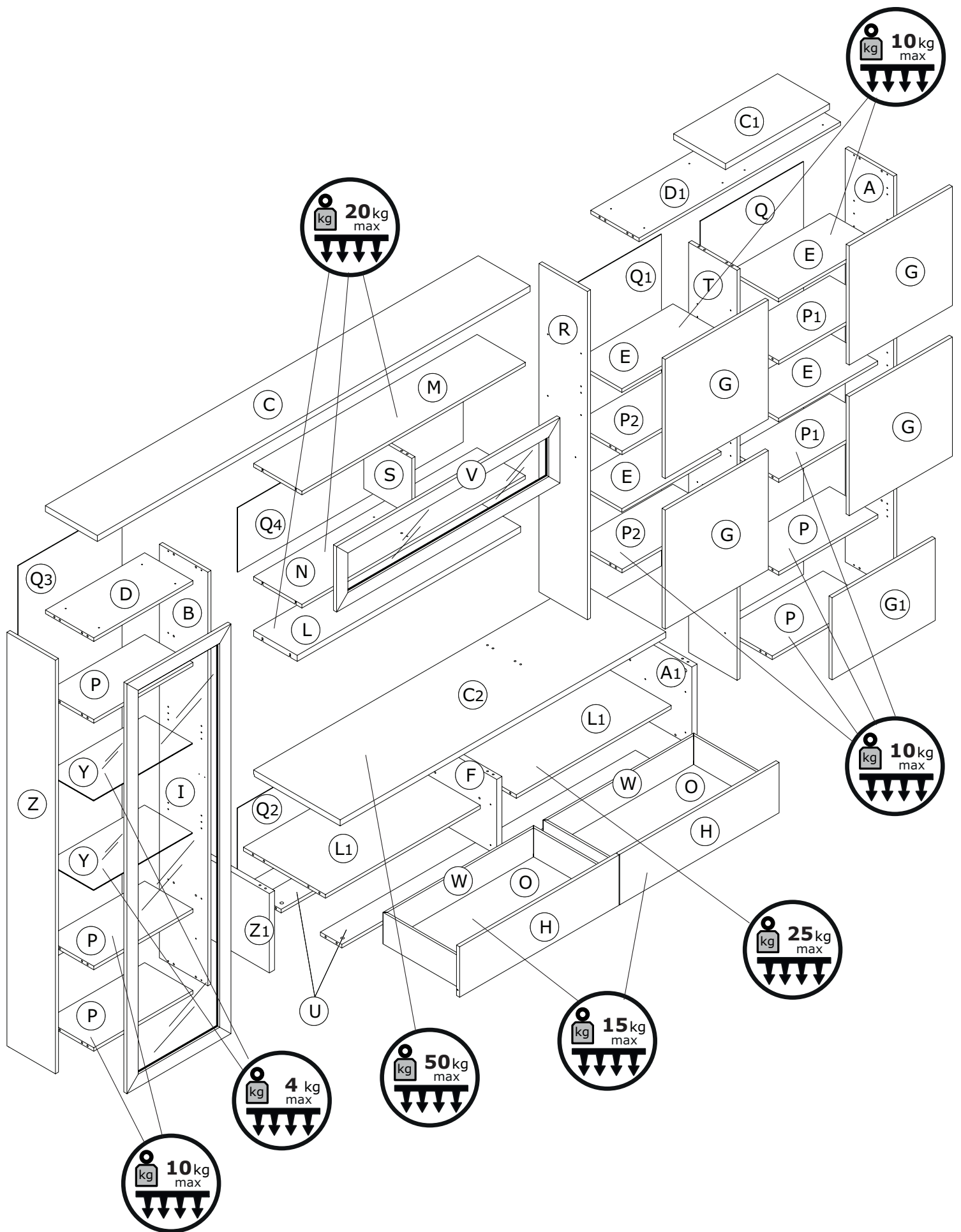
**A33**  
x2



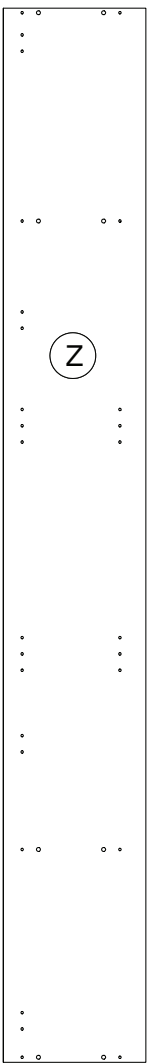
**W420**  
x2



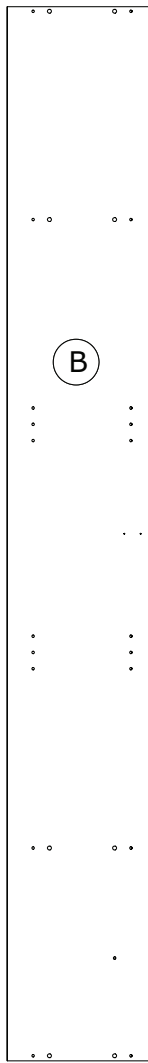
**V142**  
x2



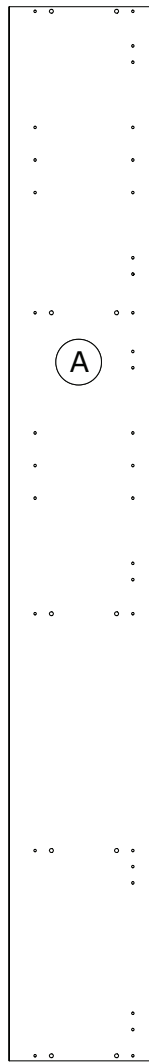




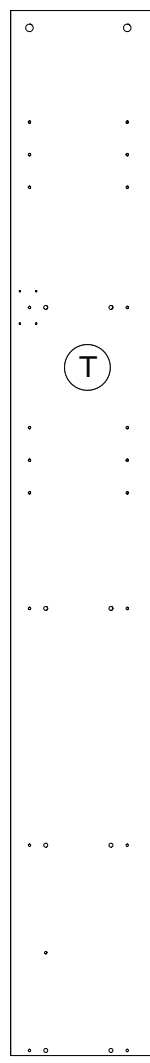
**FI7274**  
2070x280x18mm



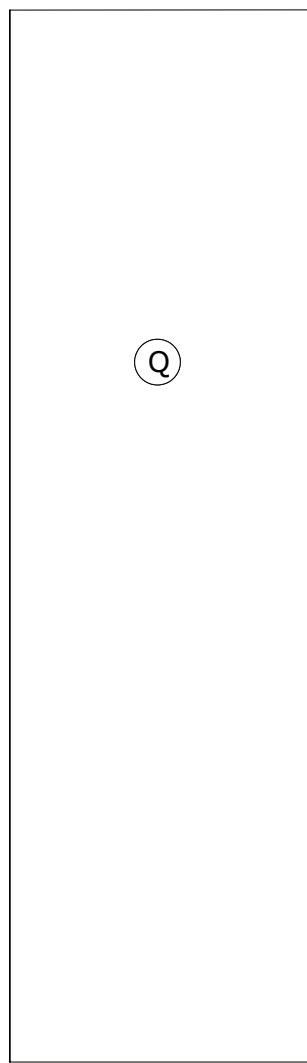
**FI7275**  
2070x280x18mm



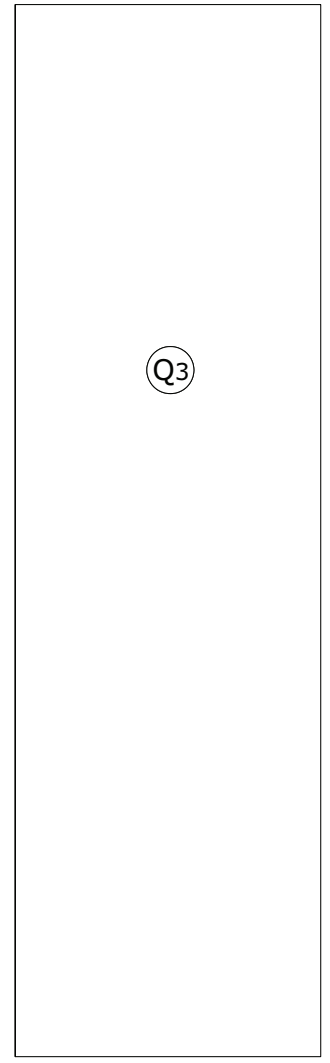
**FI7279**  
2070x280x18mm



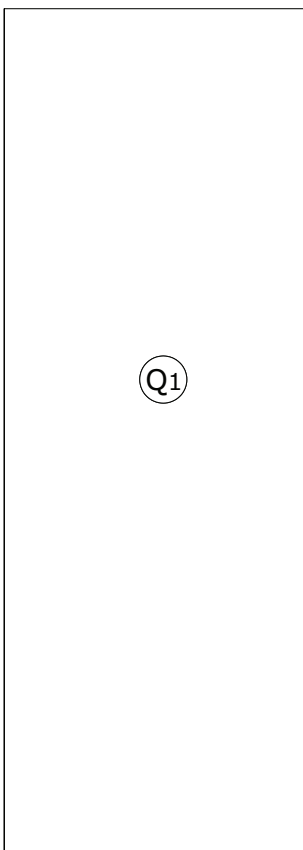
**TR1777**  
2052x280x18mm



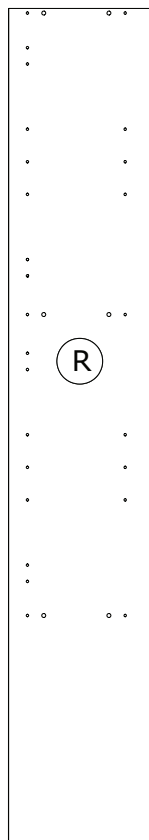
**SH2727**  
2066x596x2,3mm



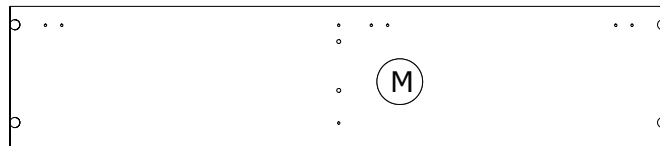
**SH2721**  
2066x600x2,3mm



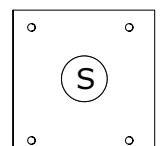
**SH2728**  
1660x590x2mm



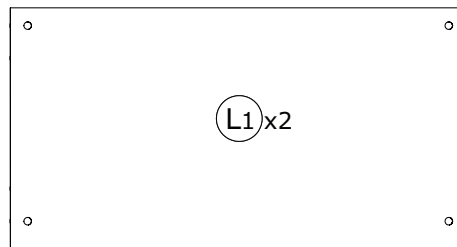
**FI7280**  
1643x280x18mm



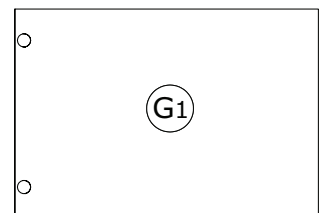
**PI6385**  
1291x279x18mm



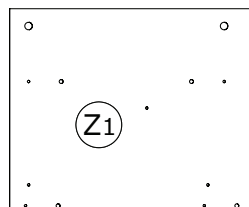
**TR1774**  
290x278x18mm



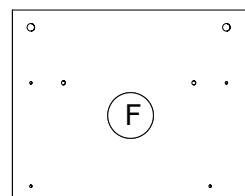
**PI6391**  
895x474x18mm



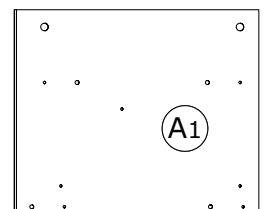
**AN2277**  
596x411x18mm



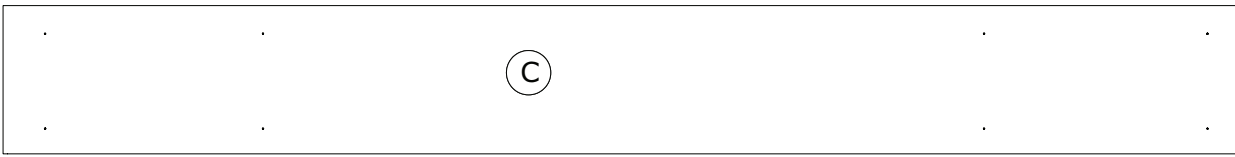
**FI7277**  
397x480x30mm



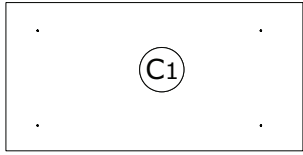
**TR1776**  
378x475x30mm



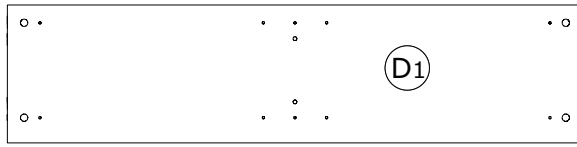
**FI7276**  
397x480x30mm



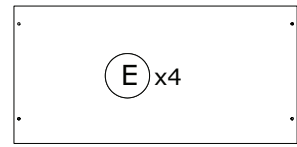
**CA2966**  
2501x300x30mm



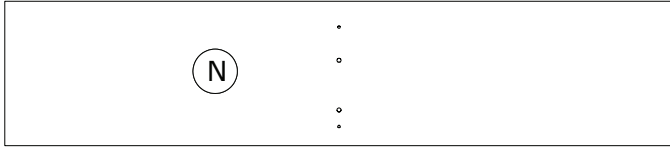
**CA2965**  
601x300x30mm



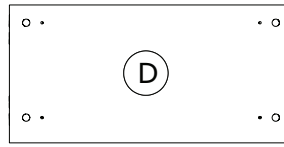
**PI6394**  
1164x279x18mm



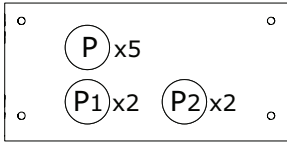
**PI6392**  
573x278x18mm



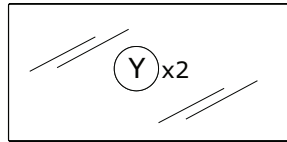
**PI6387**  
1291x279x18mm



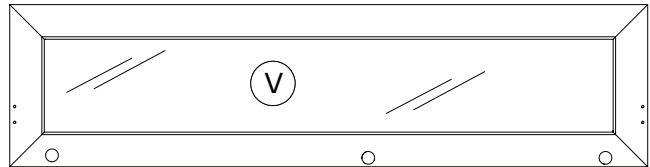
**PI6383**  
573x279x18mm



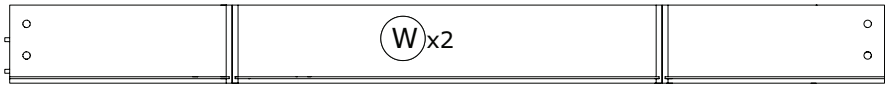
**PI6381**  
573x279x18mm



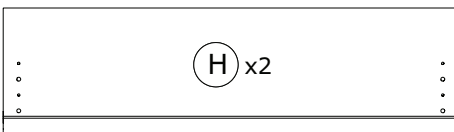
**VT0123**  
572x278x4mm



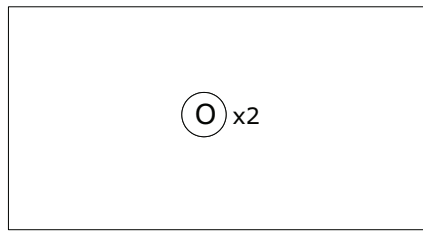
**VT0125**  
1291x328x18mm



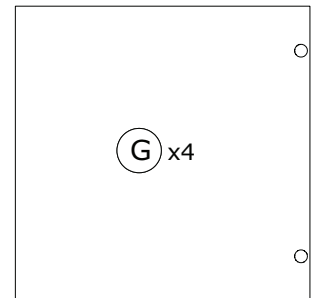
**OF0753**  
450x870x450mm H.158mm



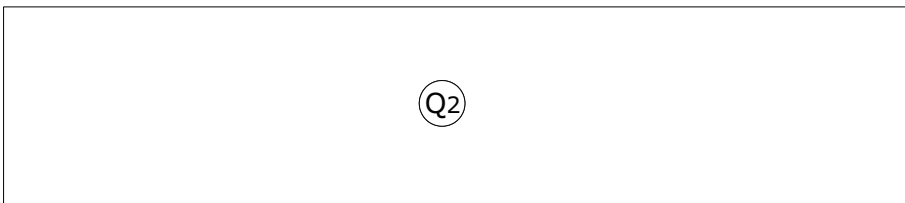
**CS2459**  
921x252x18mm



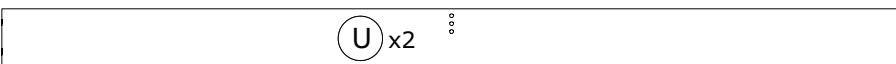
**SH3431**  
857x451x2mm



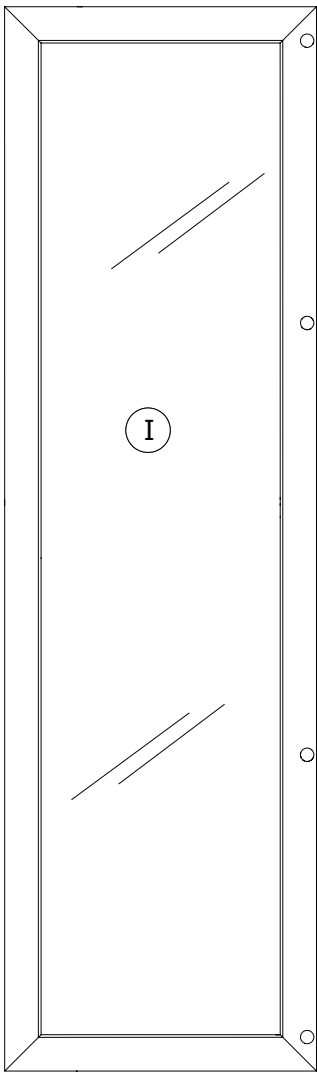
**AN2275**  
596x596x18mm



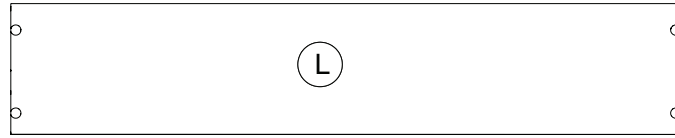
**SH2726**  
1836x404x2mm



**FS2573**  
1820x124x18mm



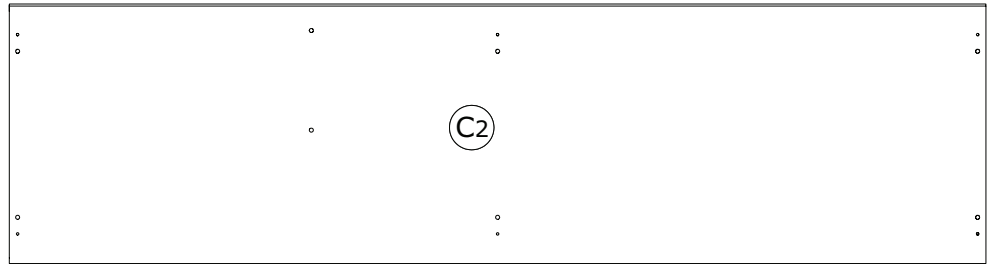
**VT0124**  
2051x601x18mm



**PI6389**  
1291x252x30mm

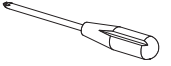
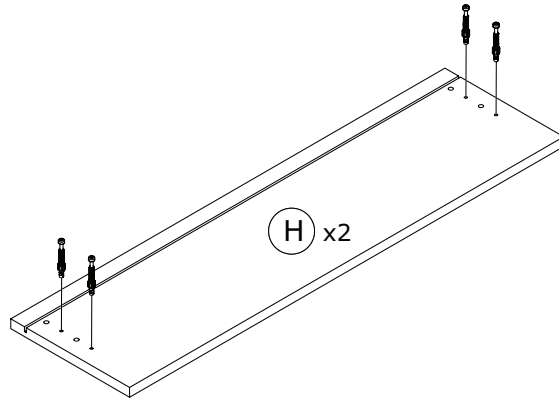
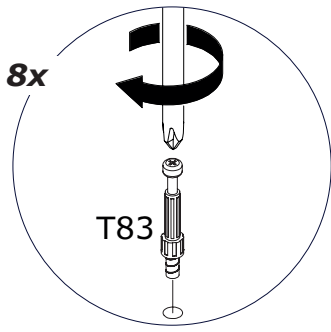


**SH2724**  
1304x322x2mm

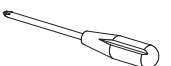
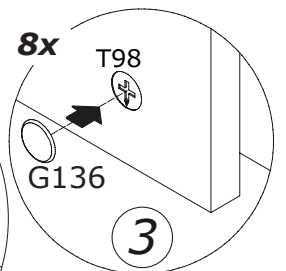
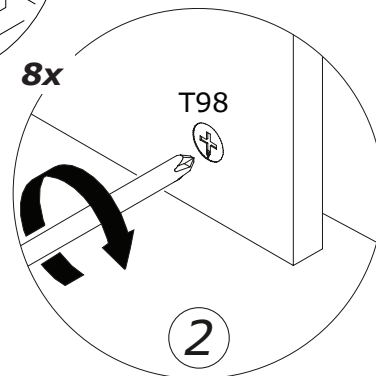
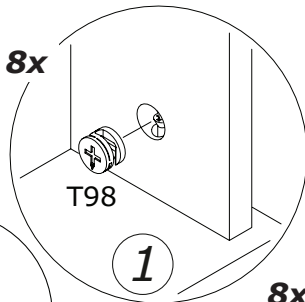
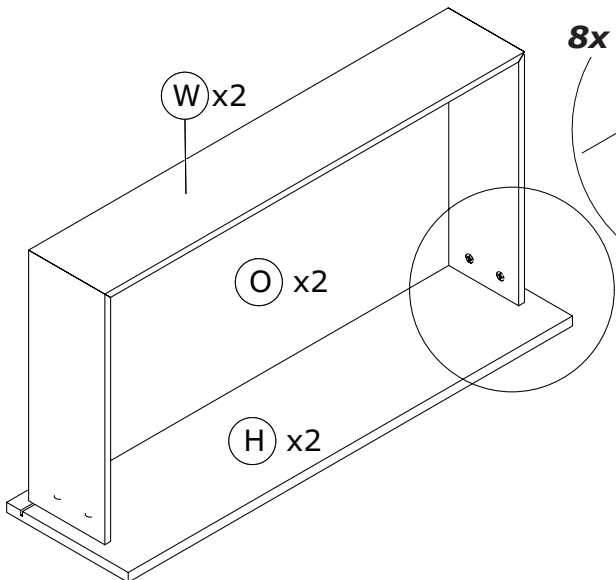
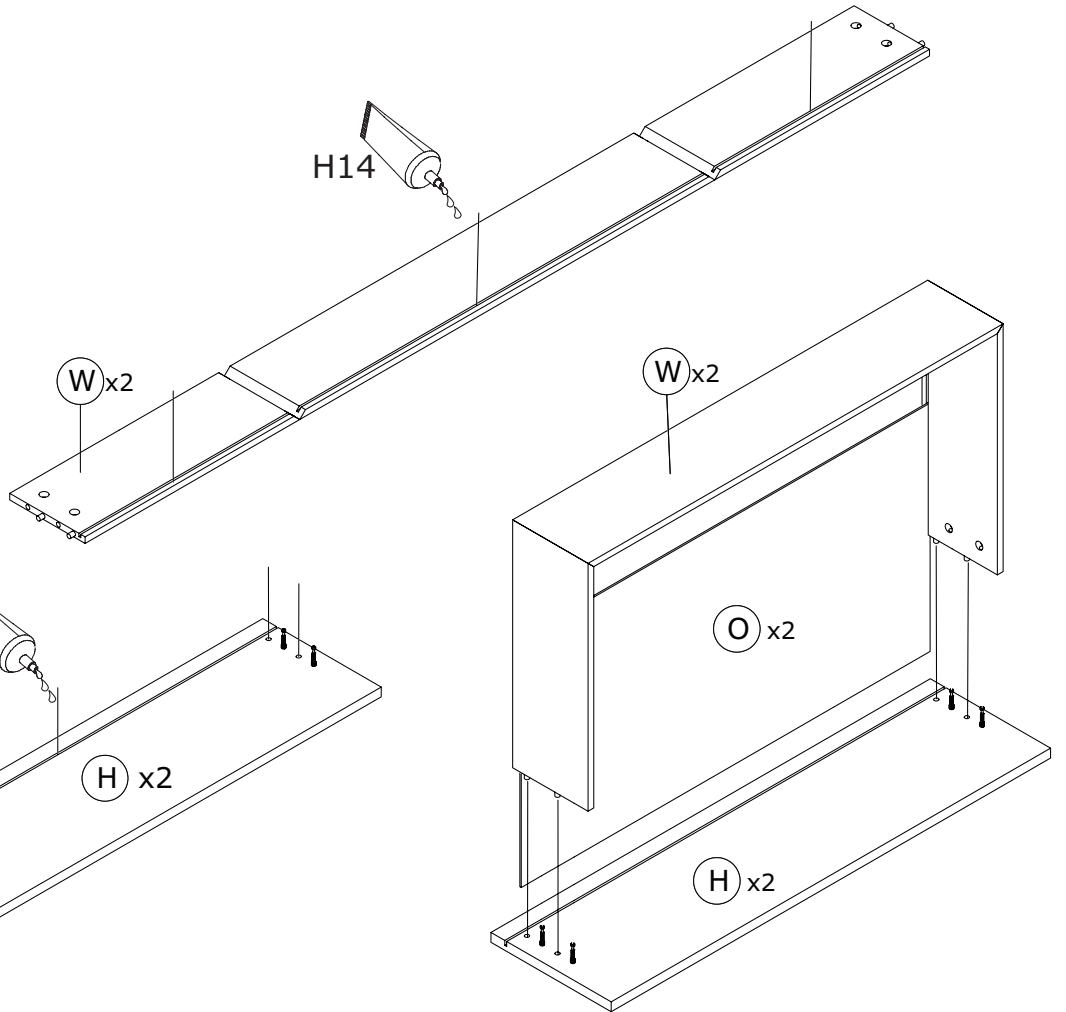
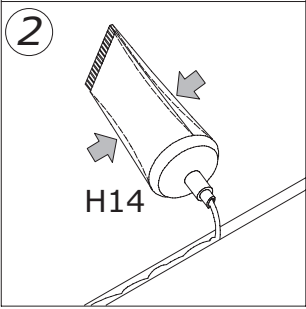
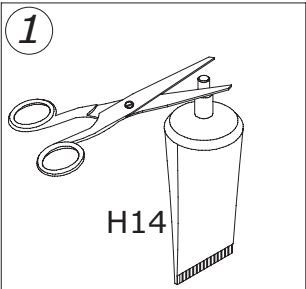


**CA2964**  
1882x500x30mm

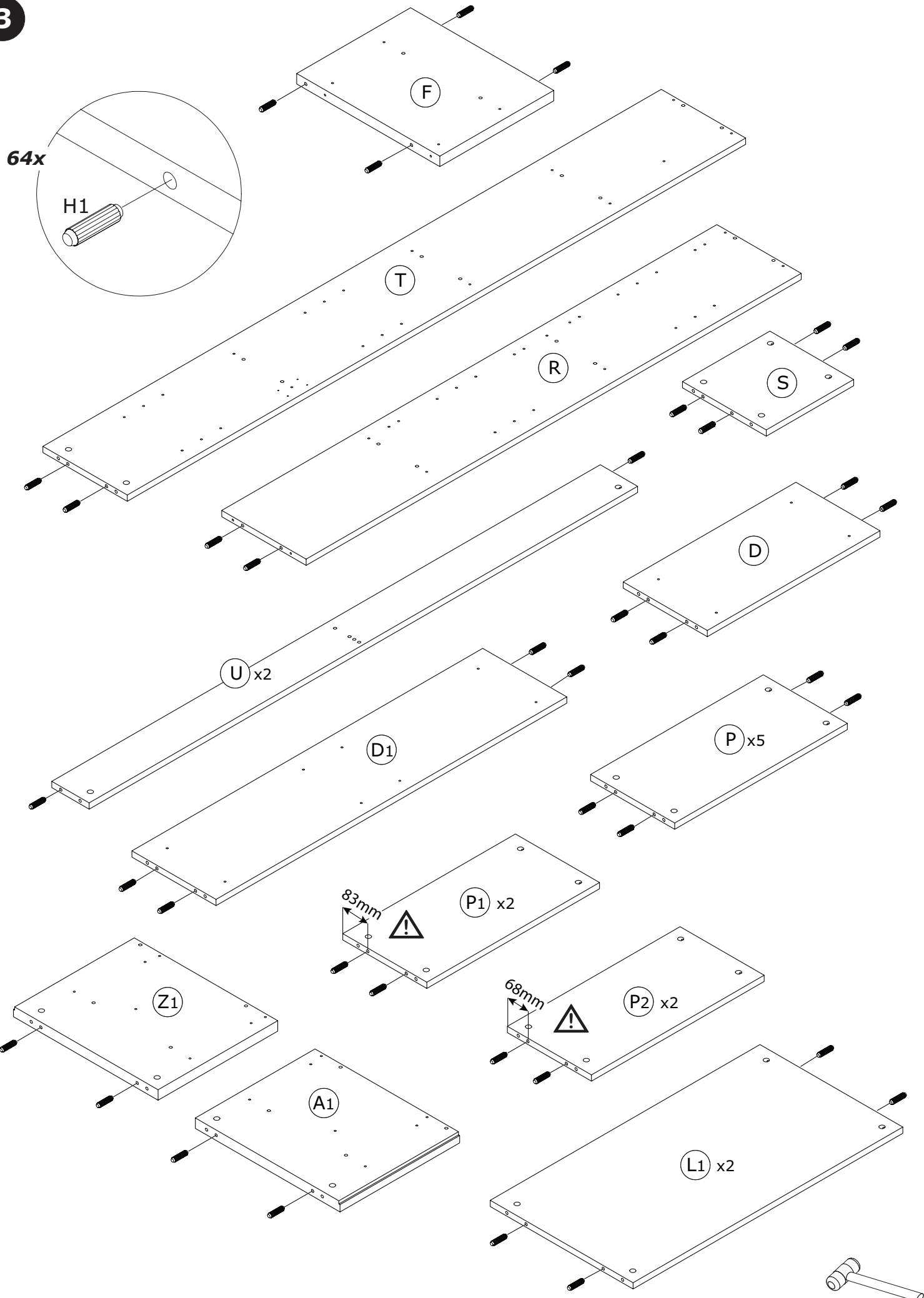
1

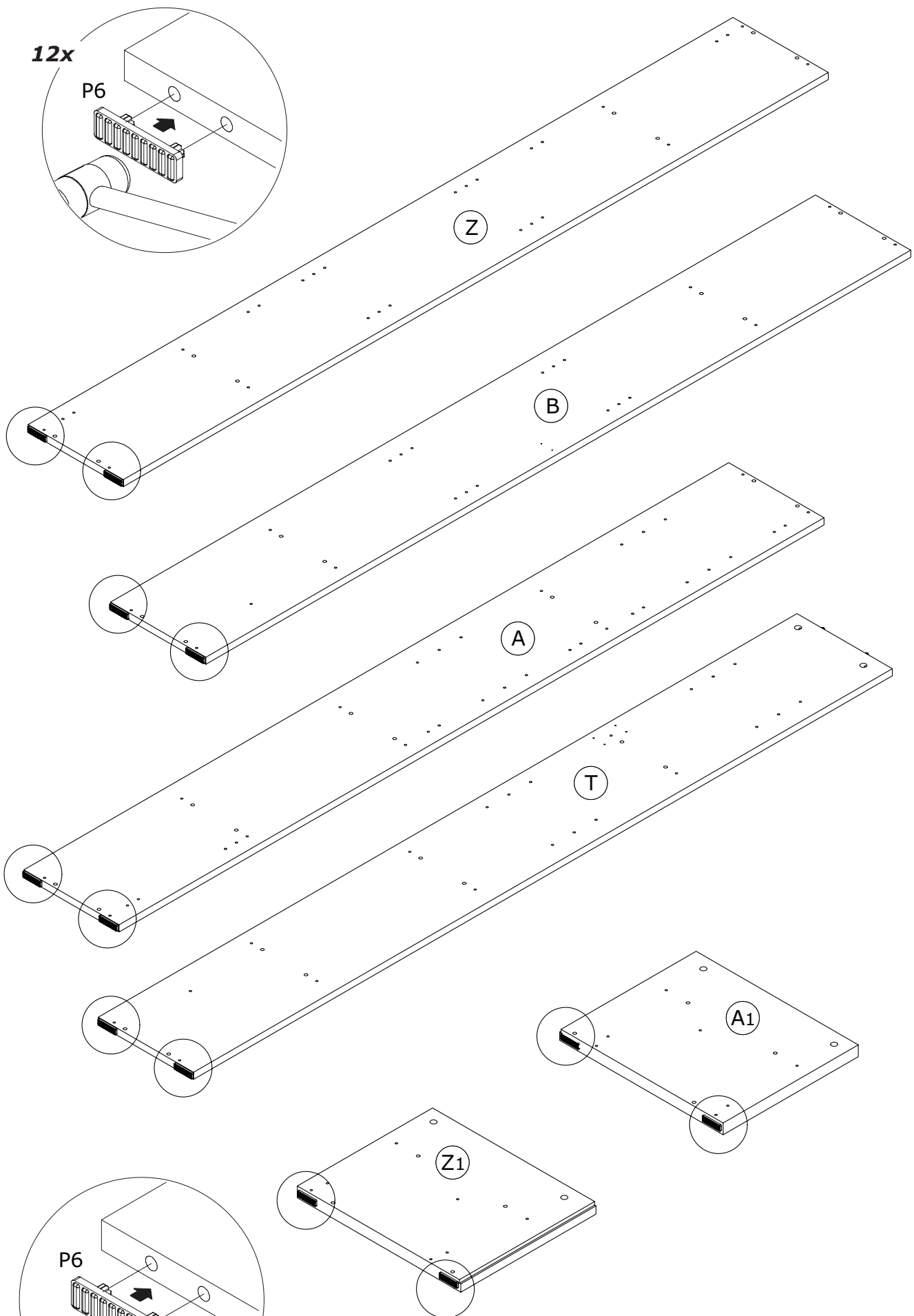


2



3





12x

P6

Z

B

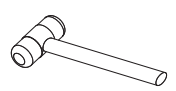
A

T

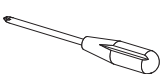
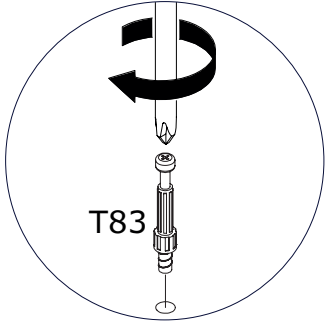
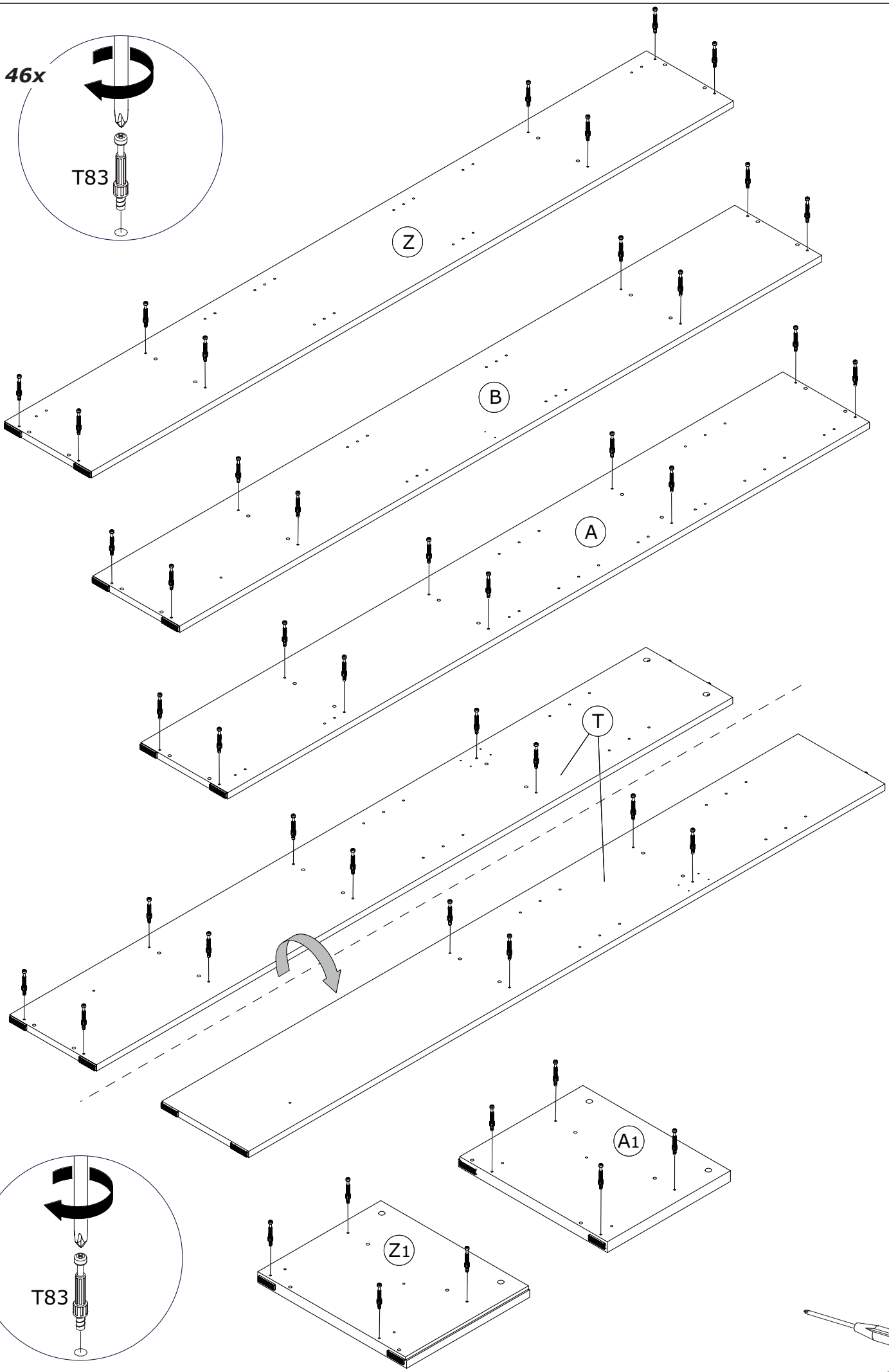
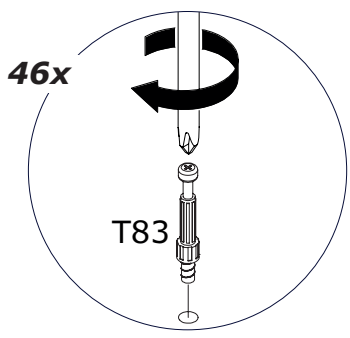
A1

Z1

P6



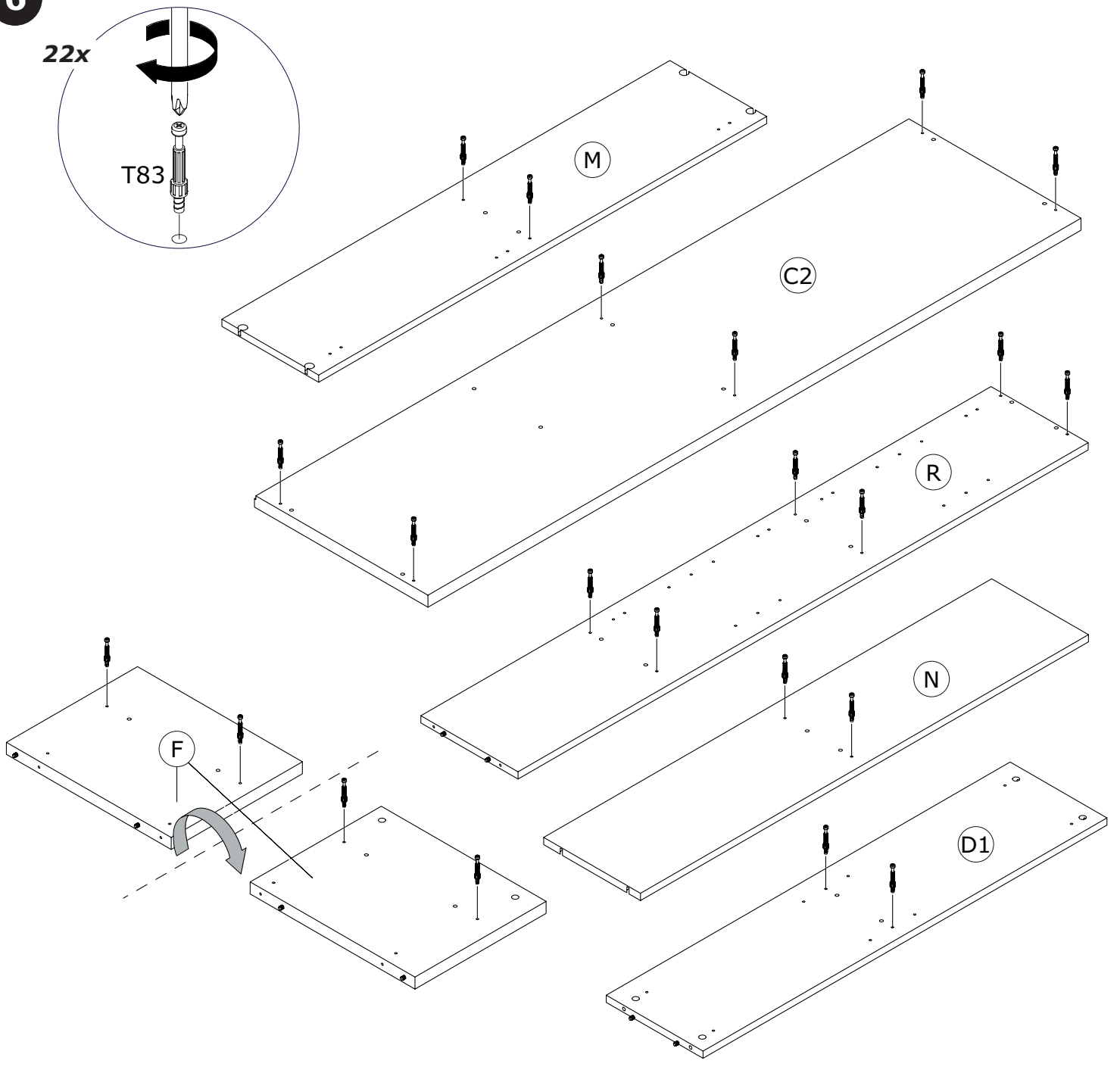
5



6

22x

T83



7

V13

V13

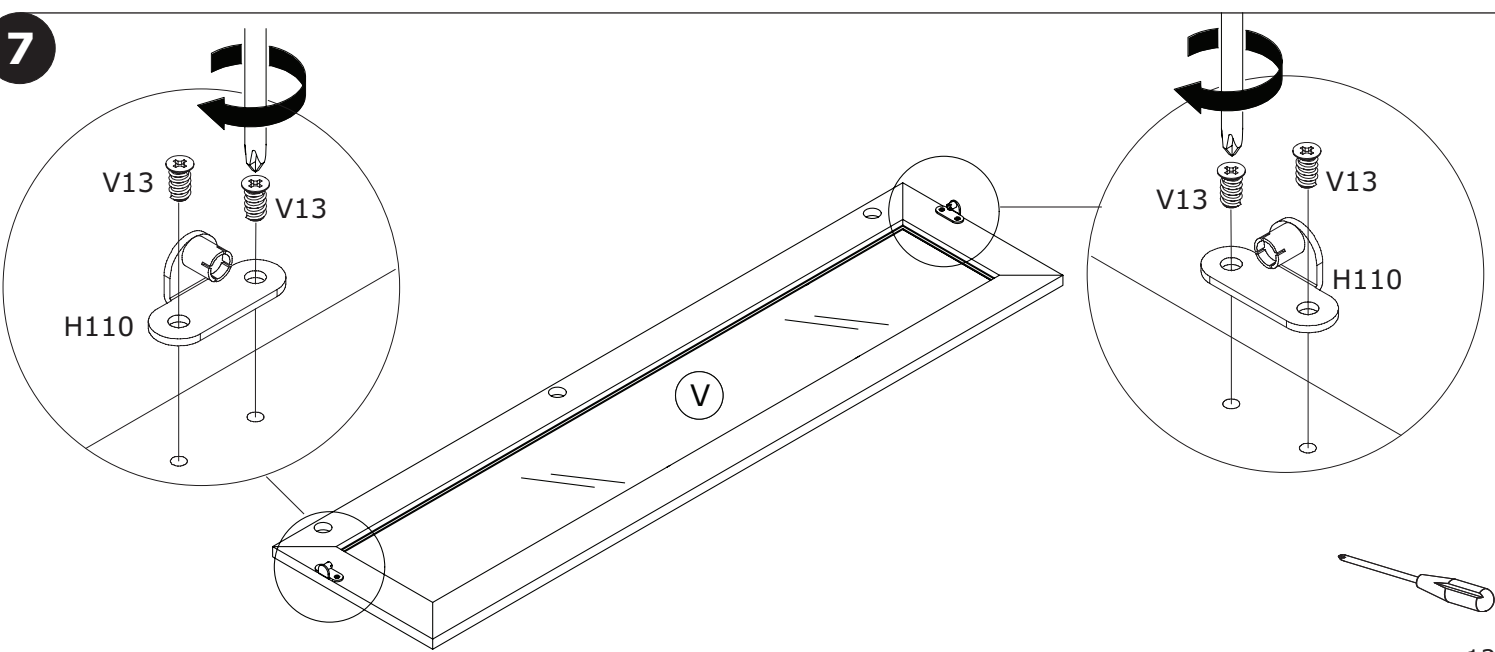
V13

V13

H110

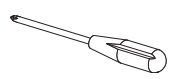
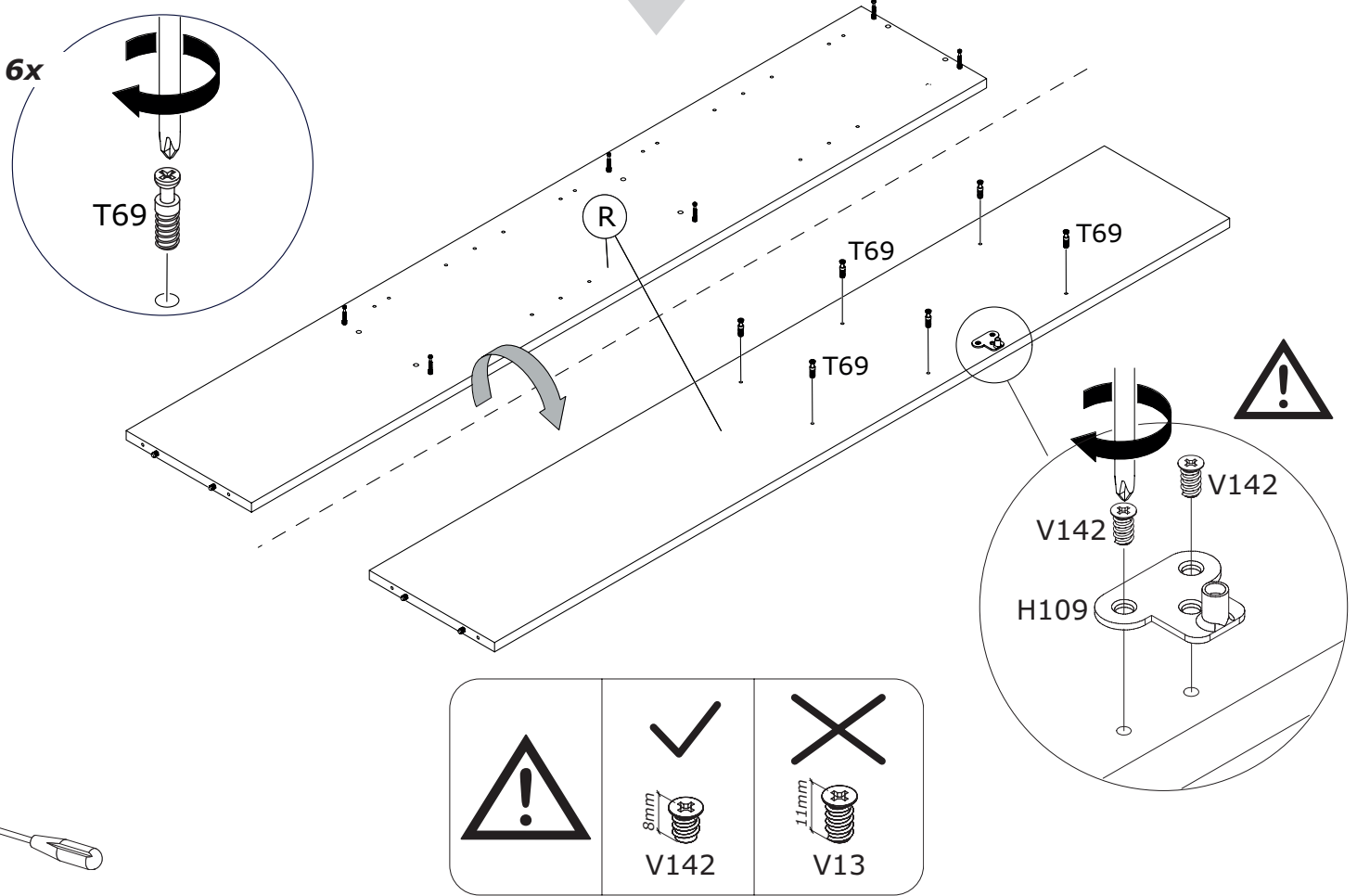
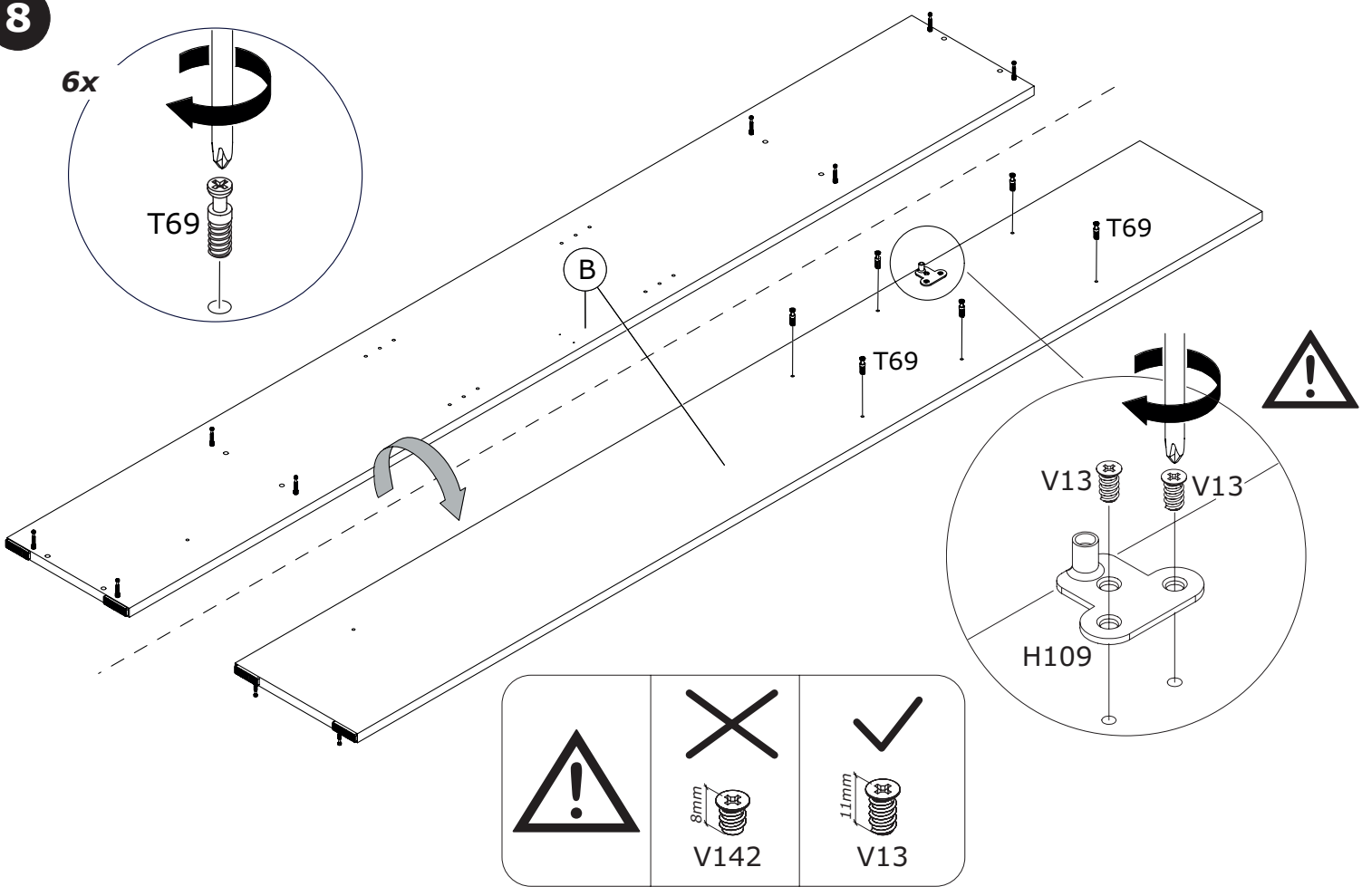
H110

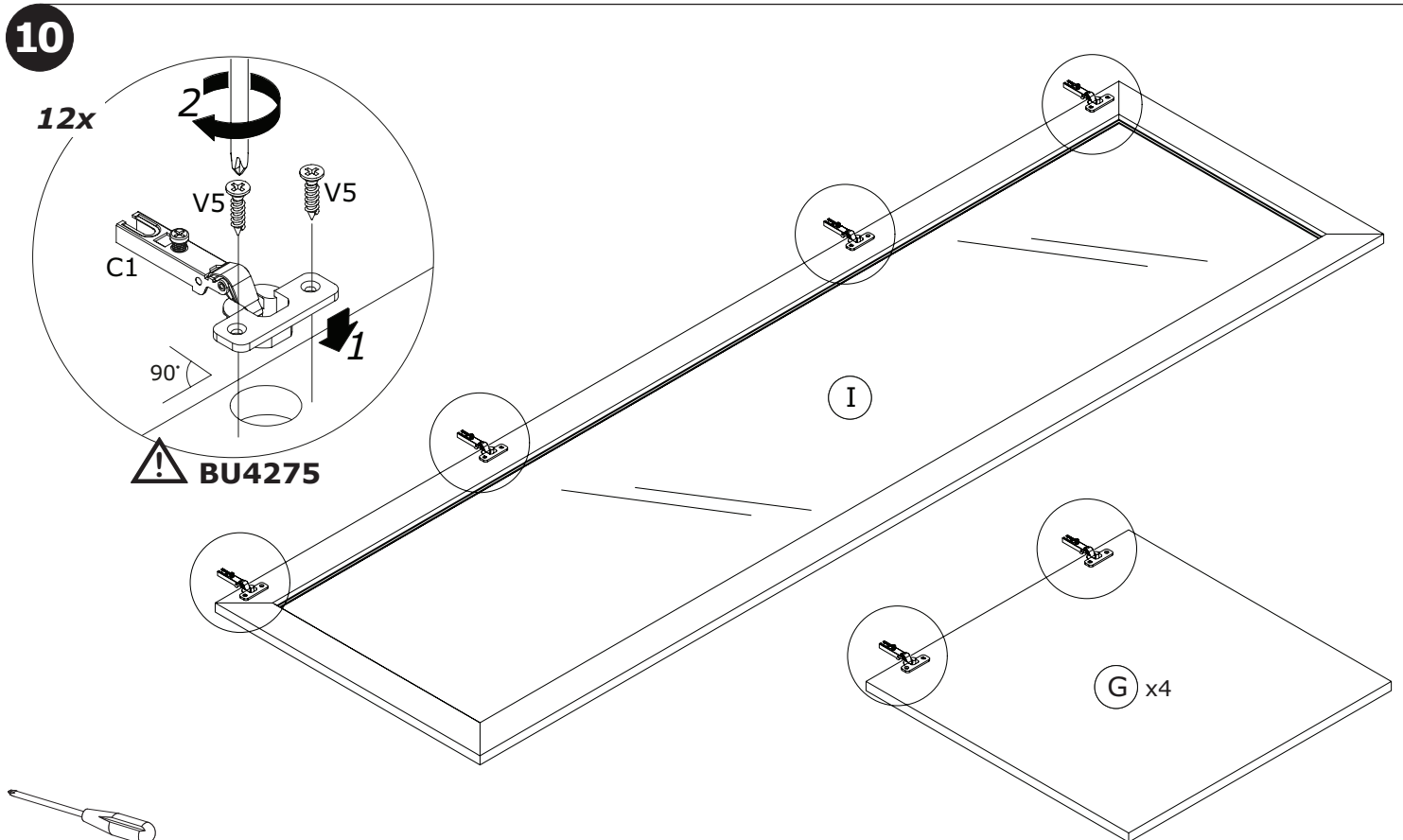
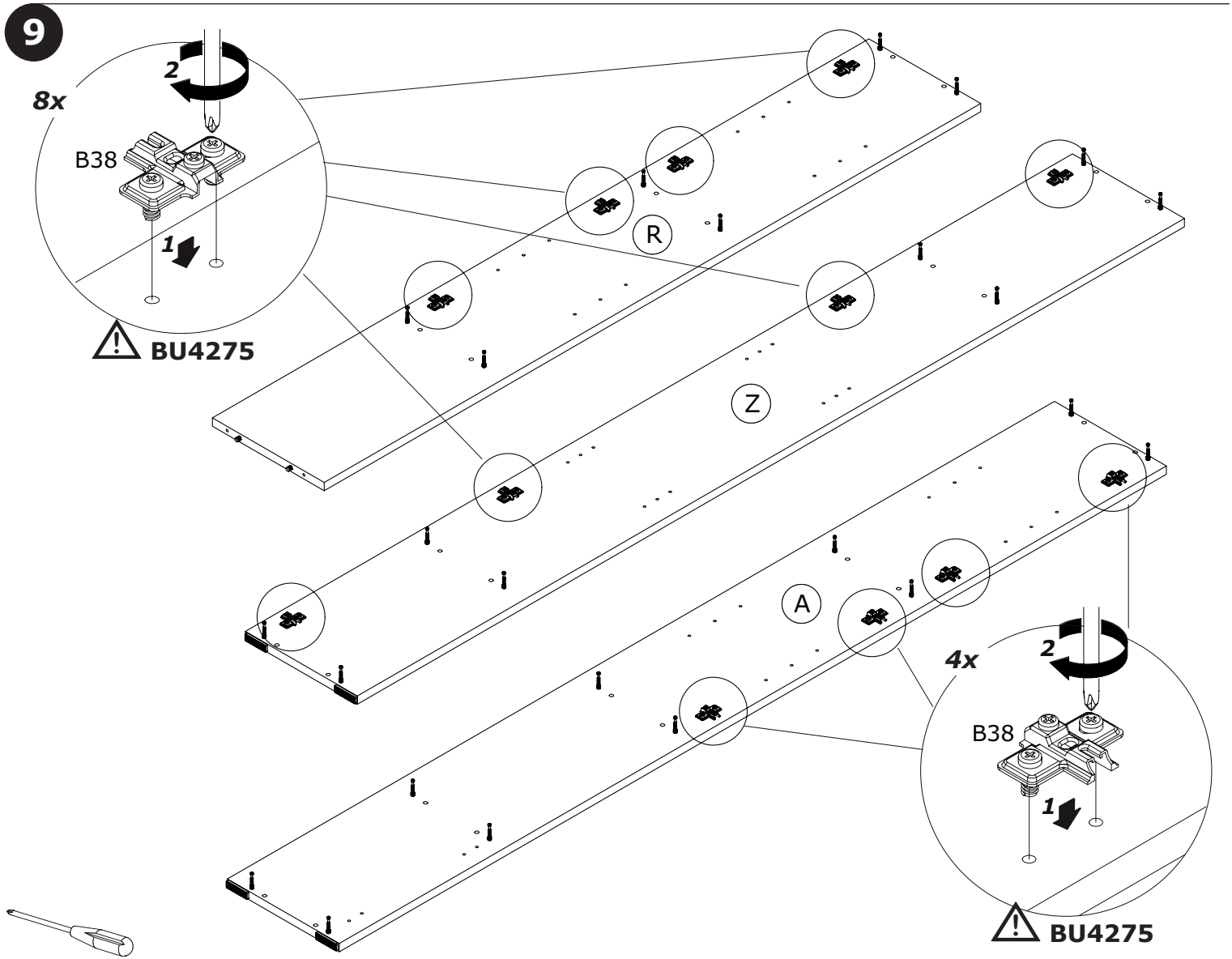
V



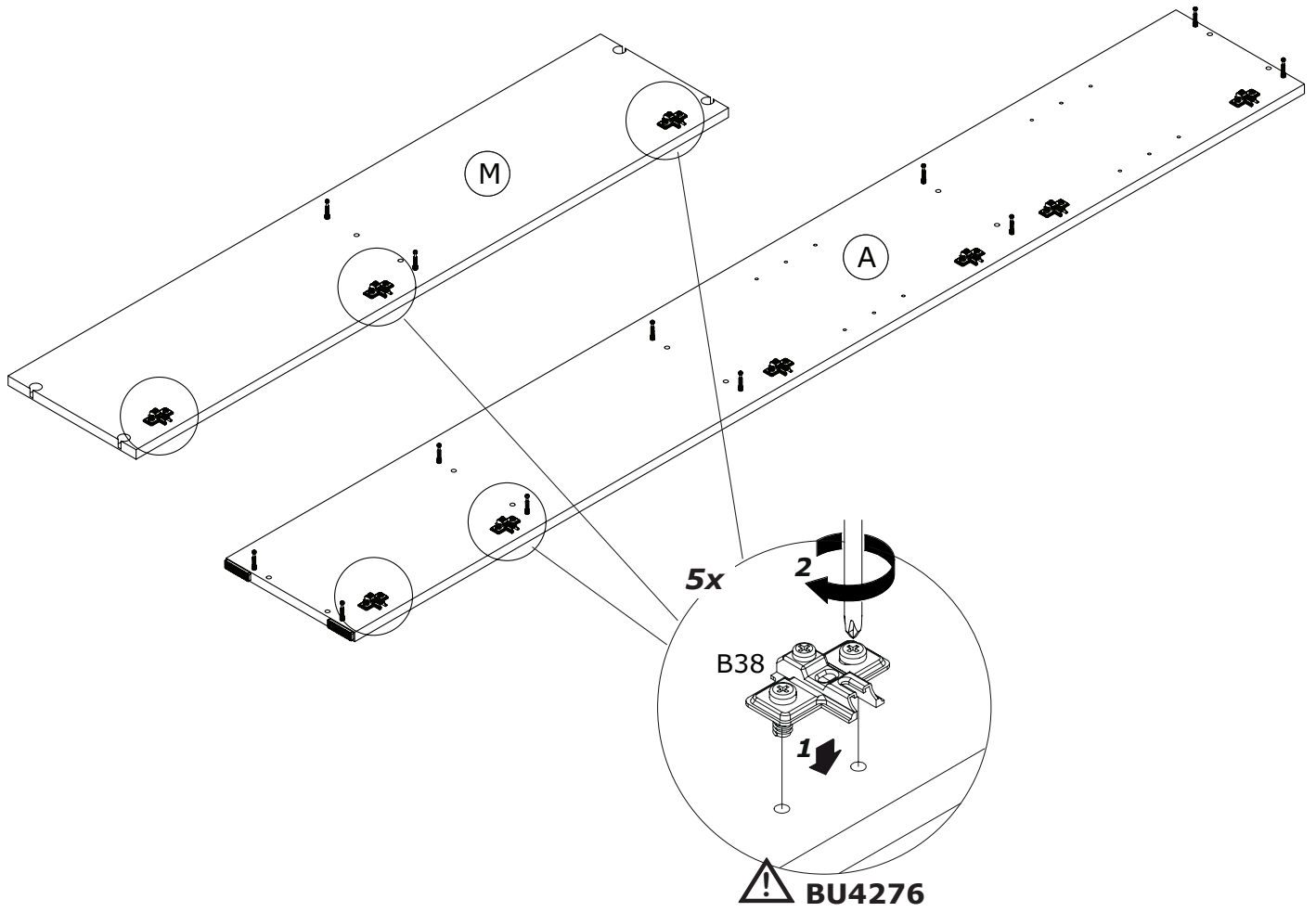


8

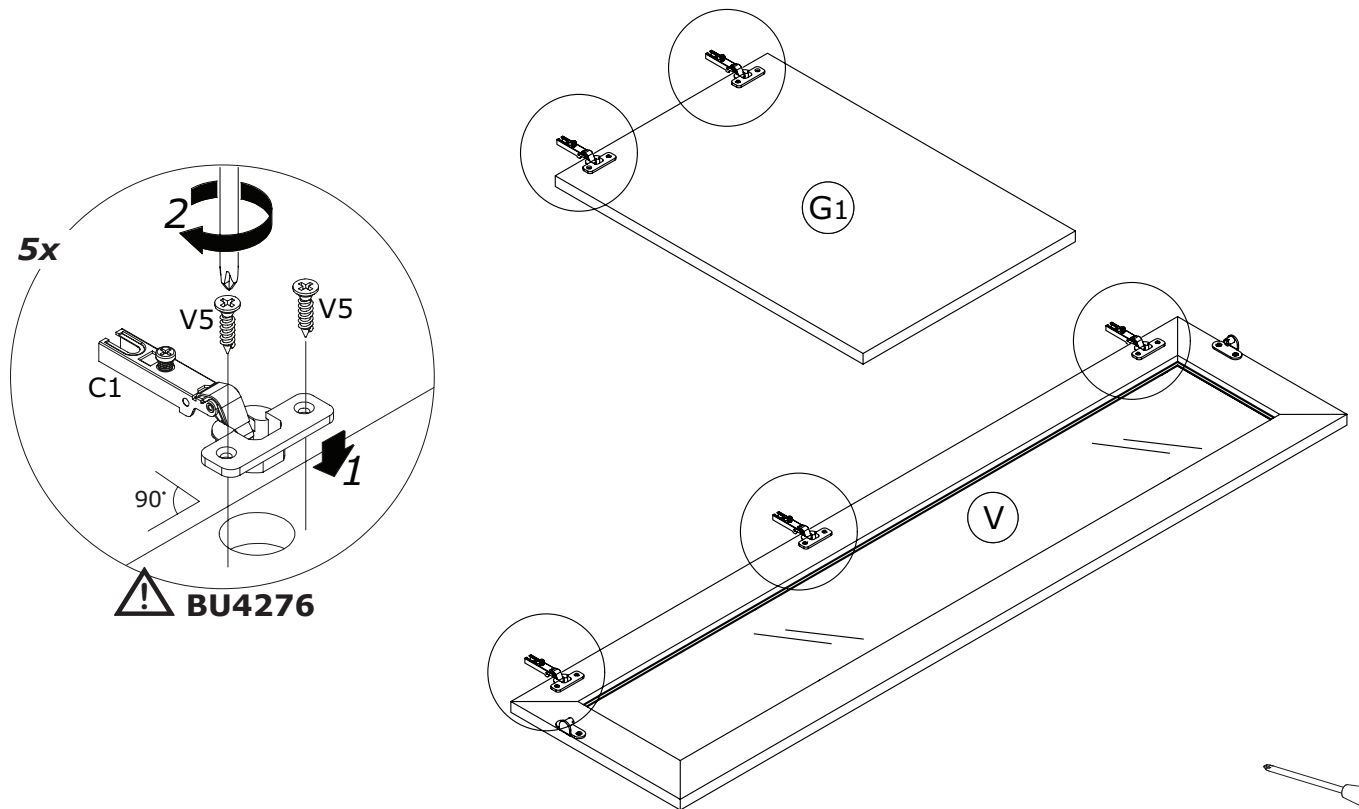




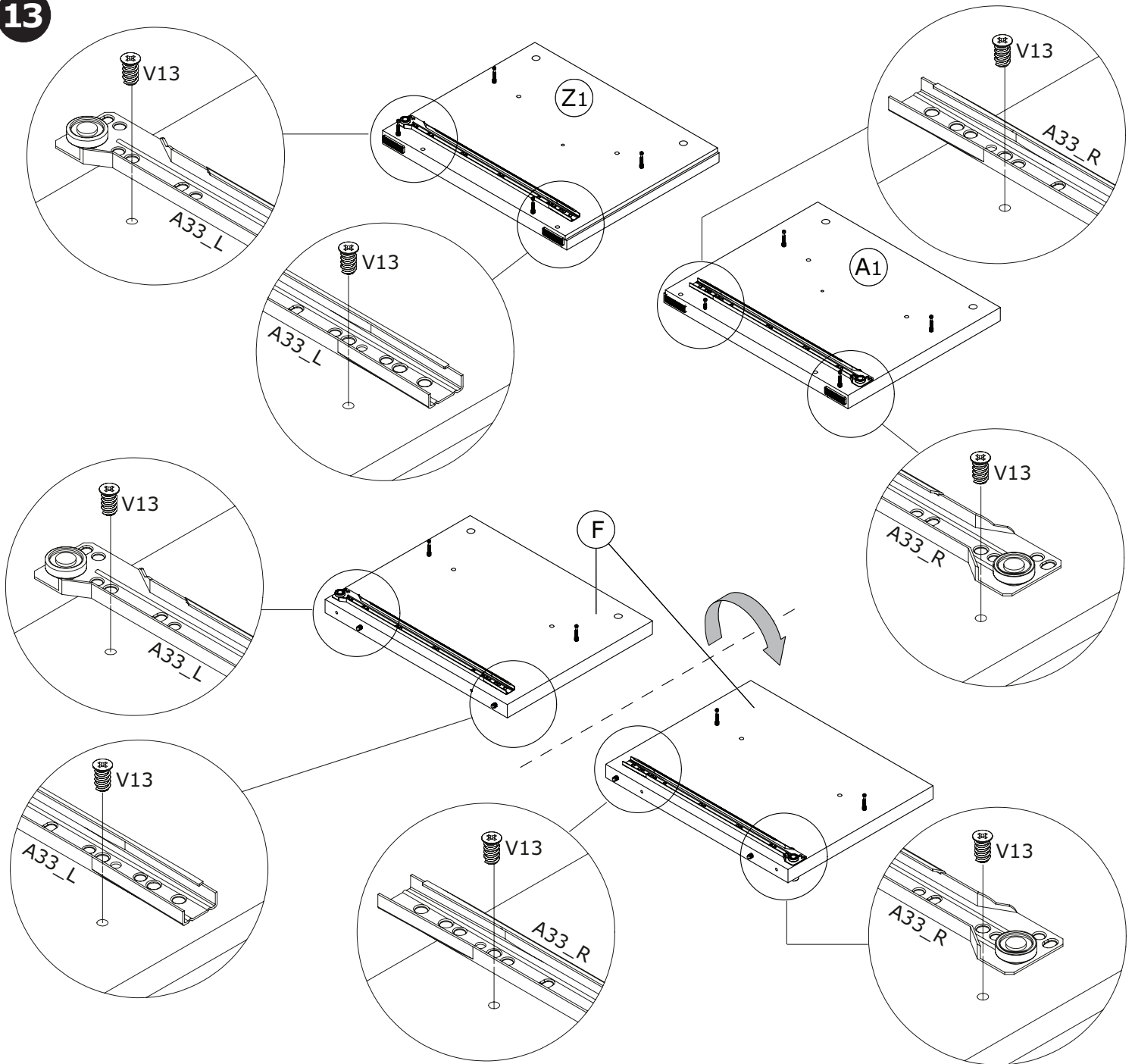
11



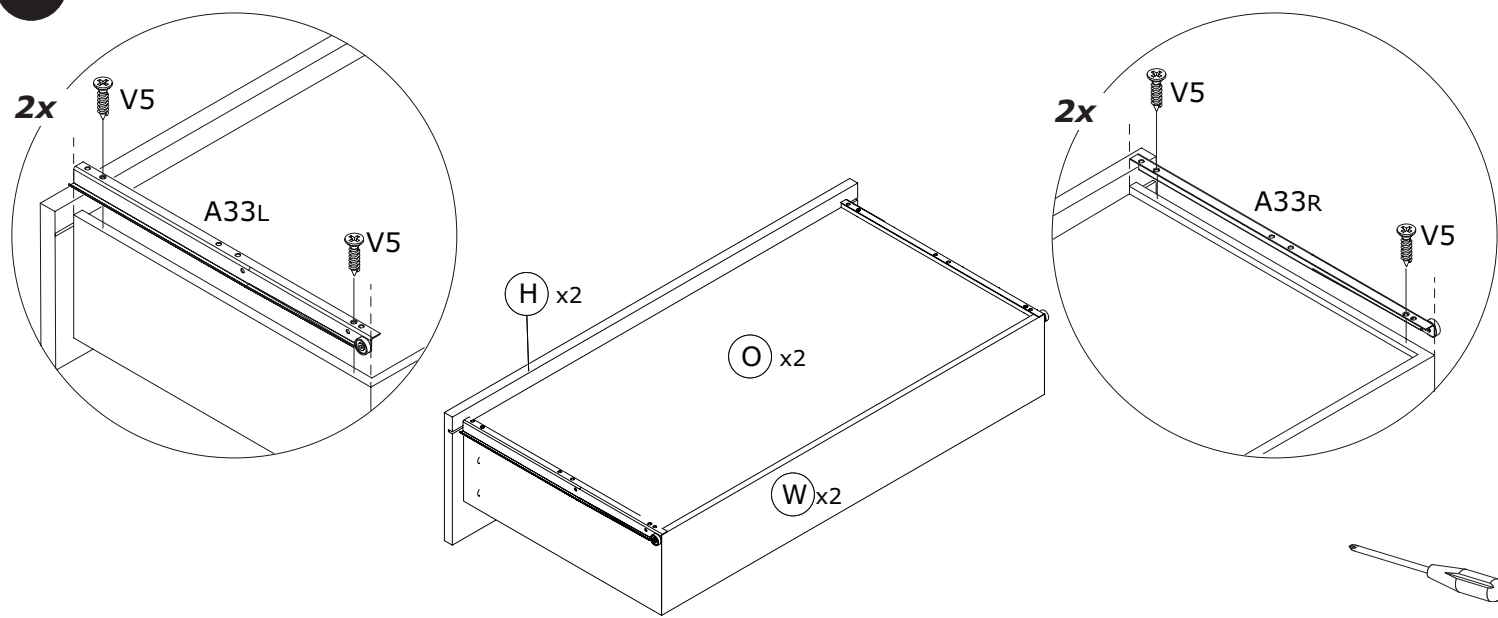
12



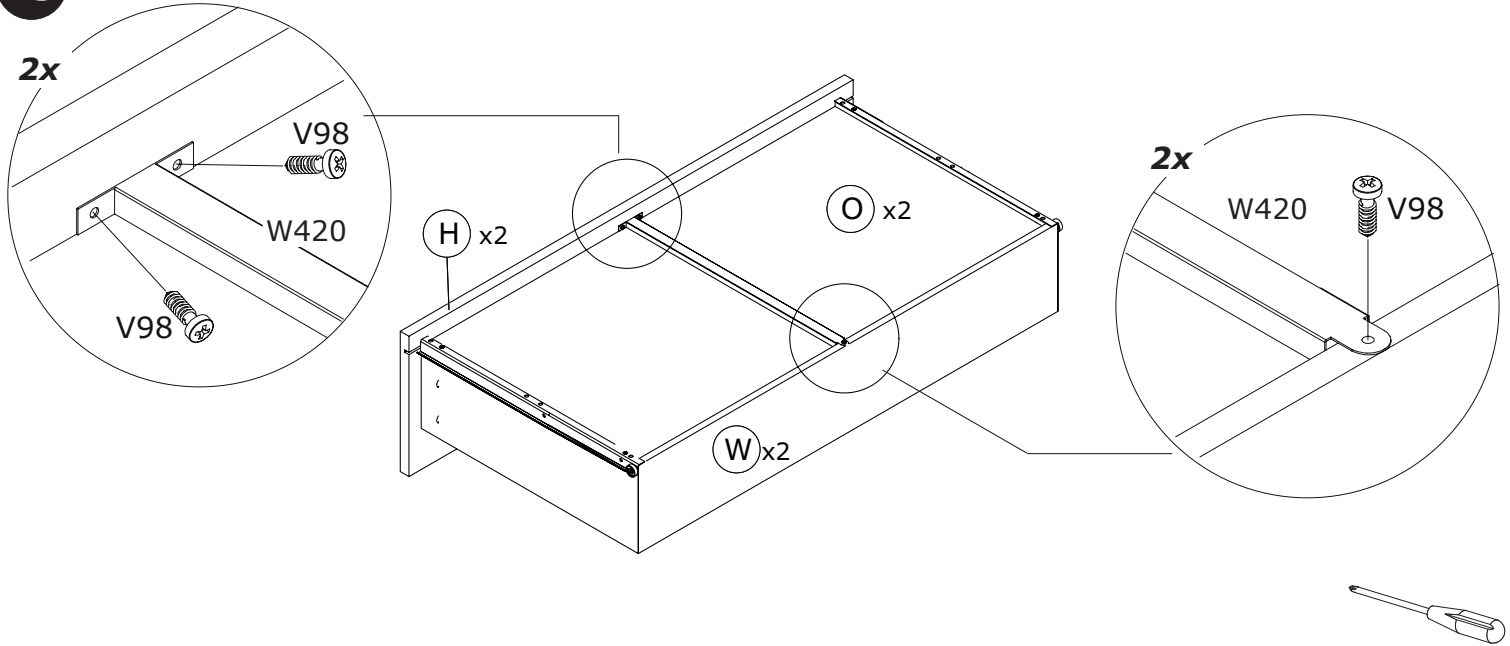
13



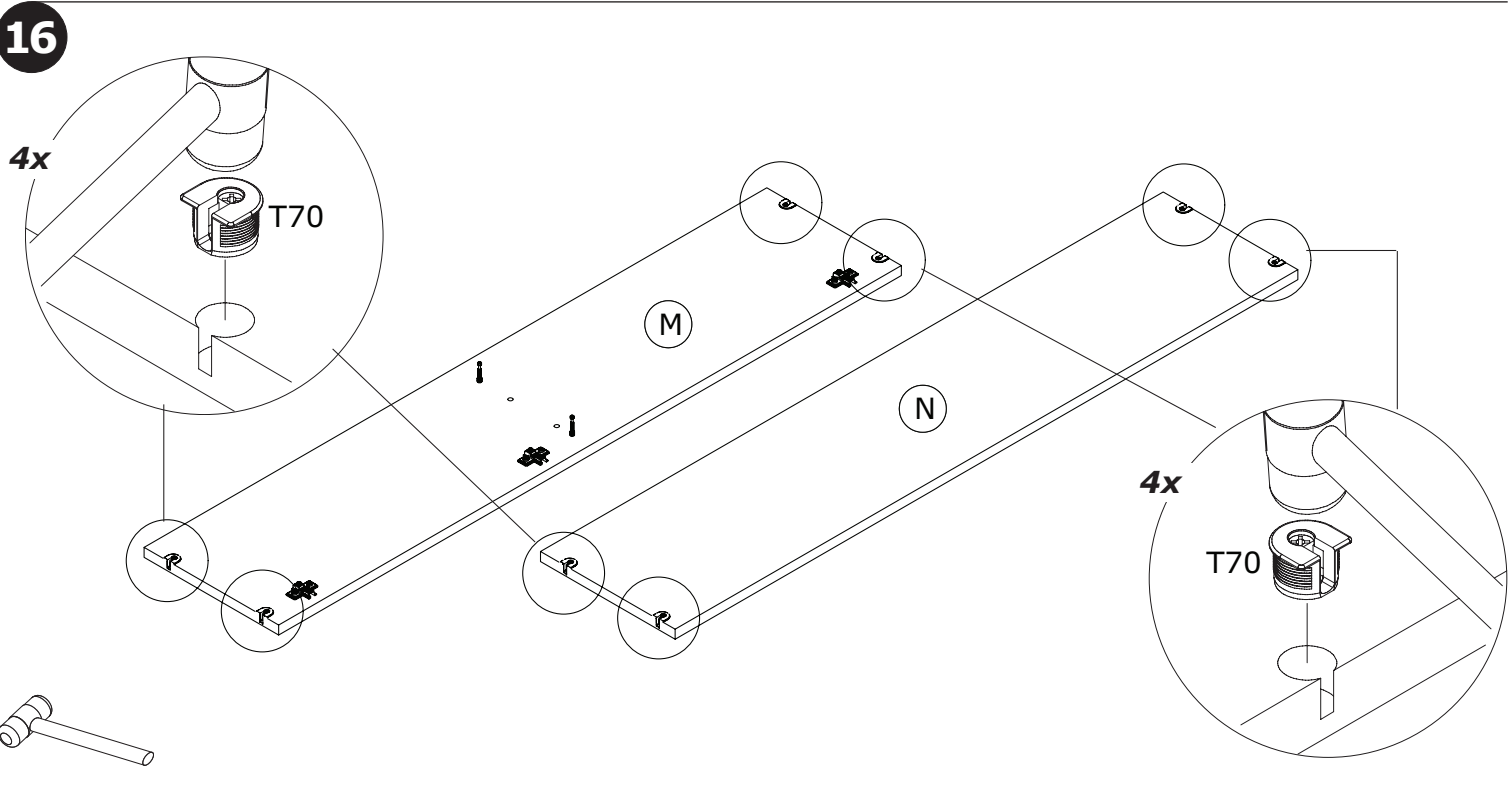
14



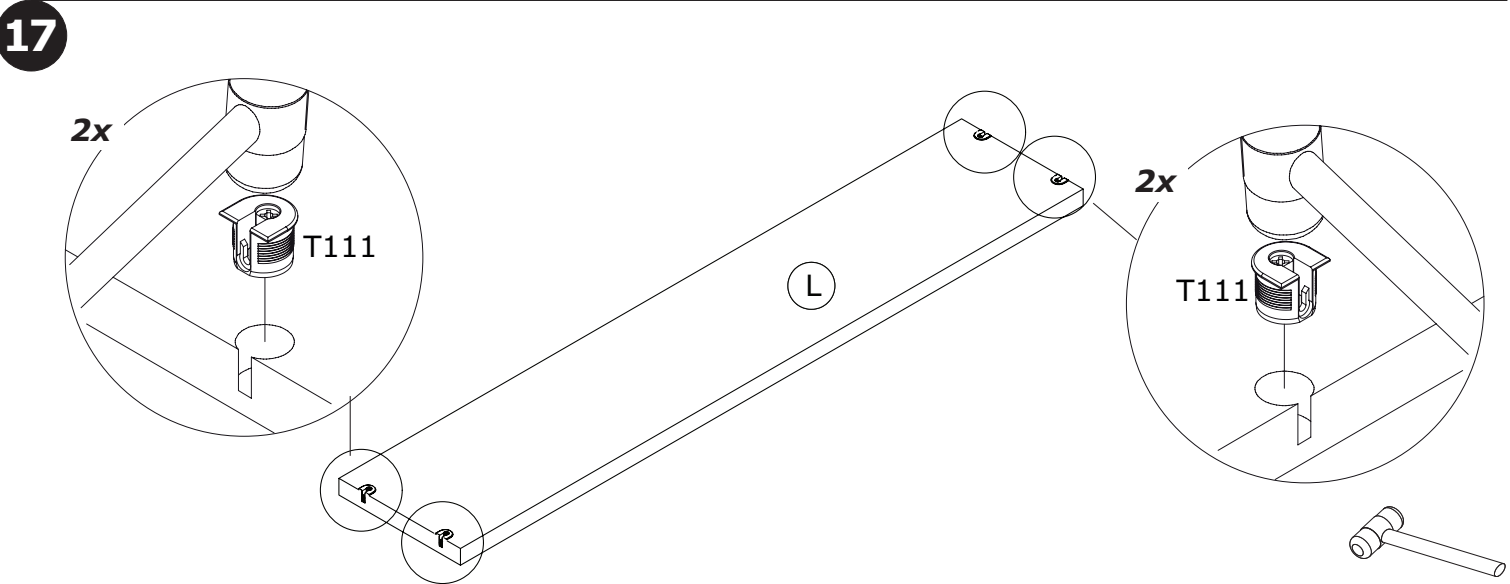
15

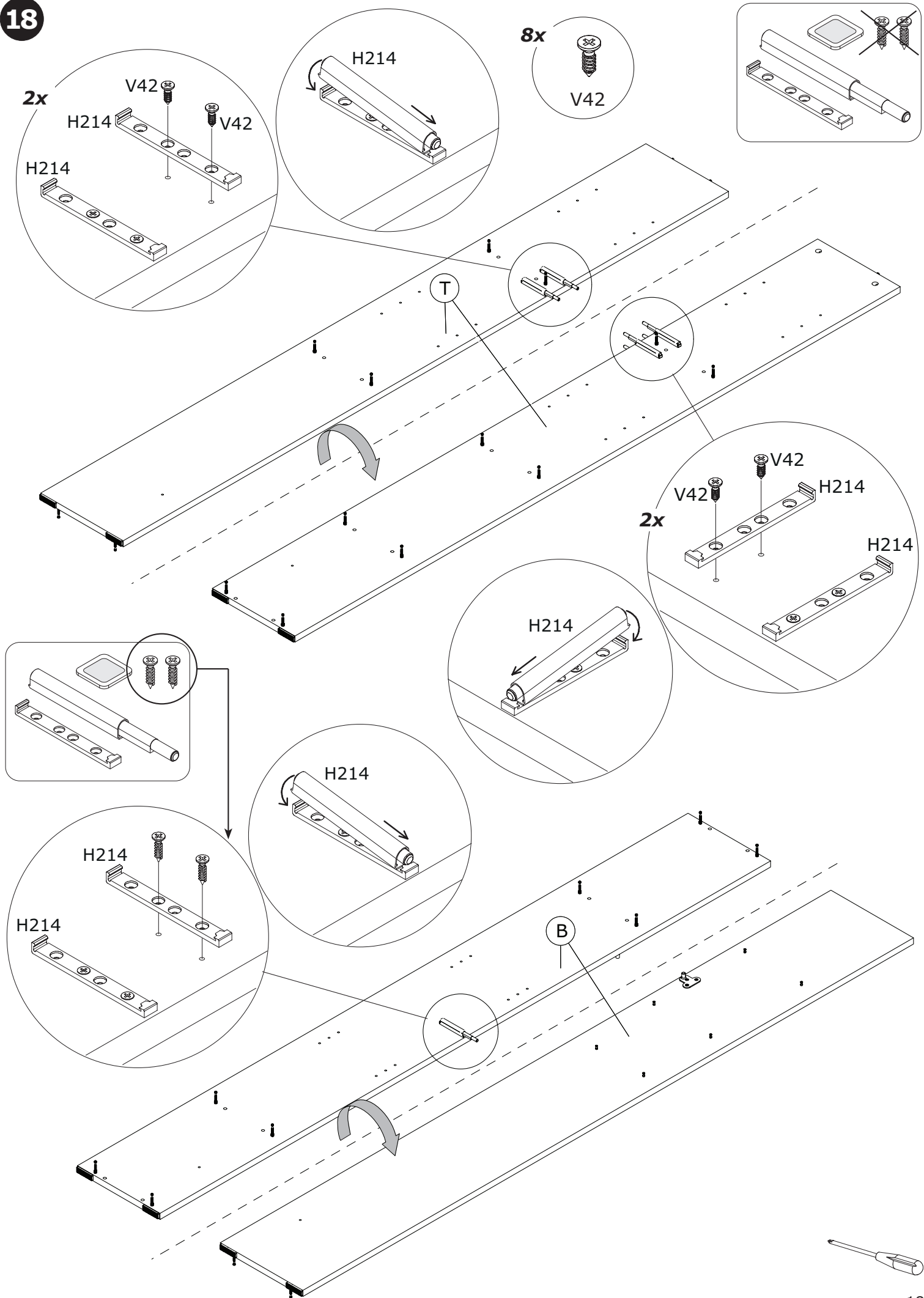


16

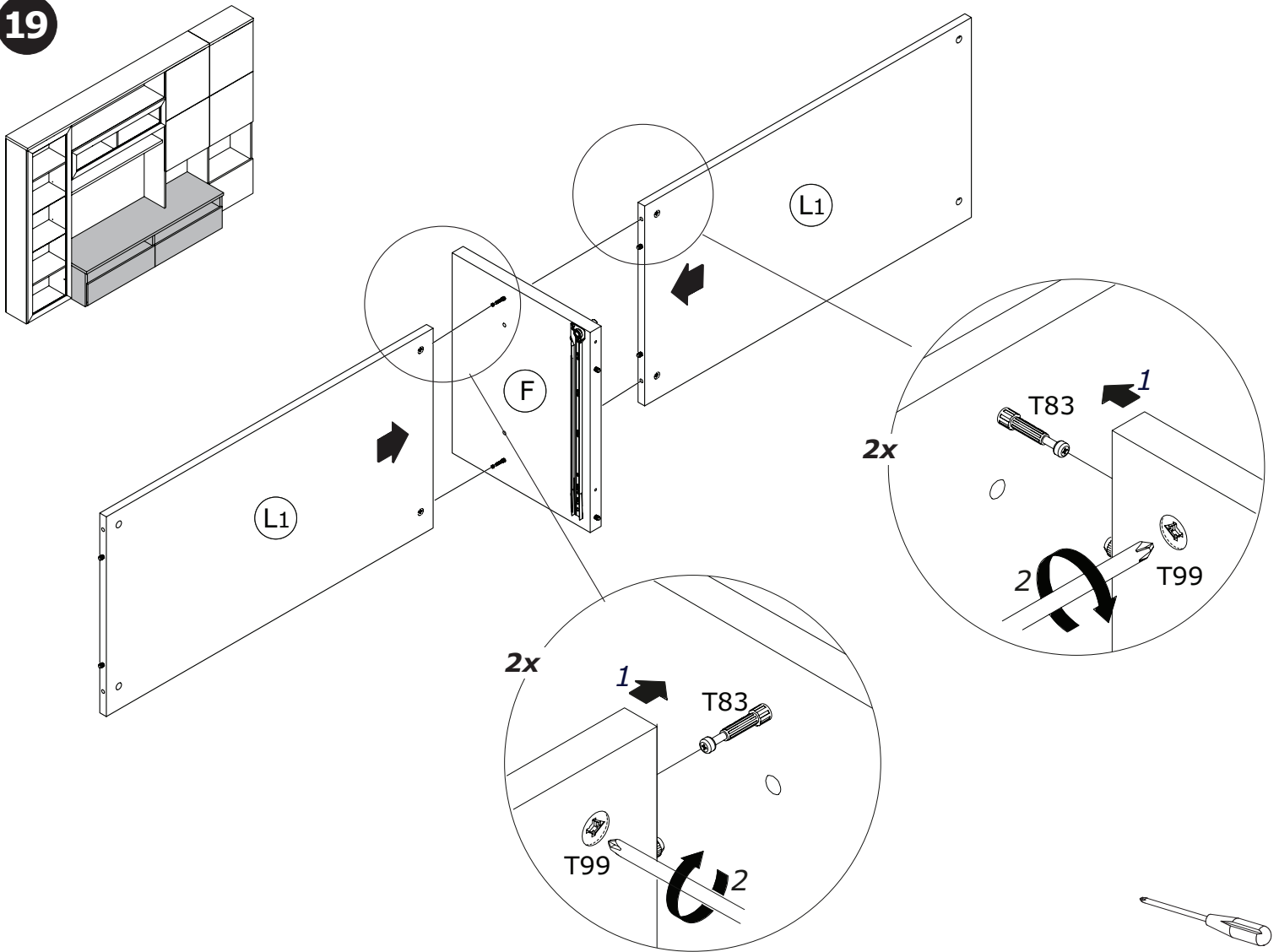


17

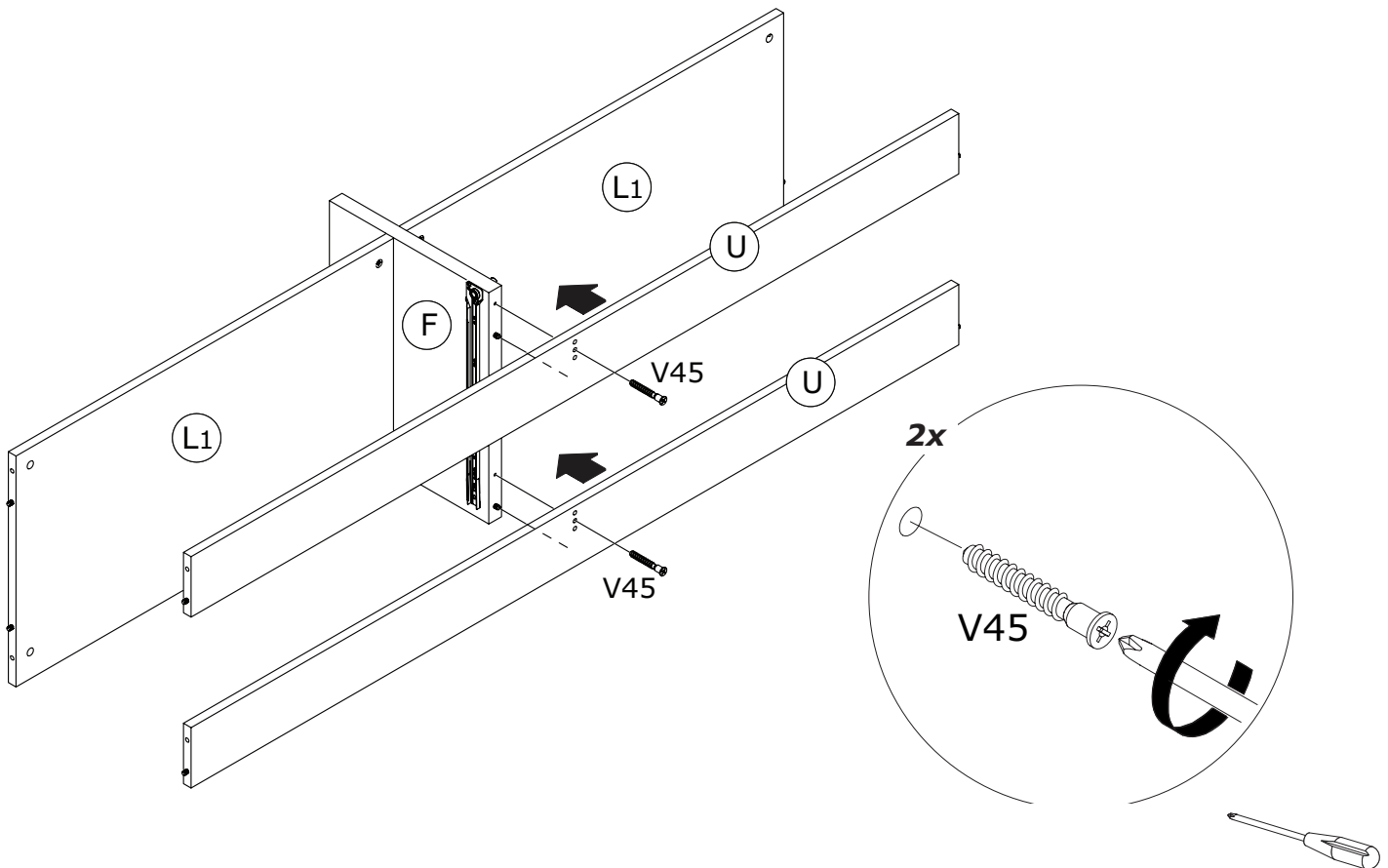




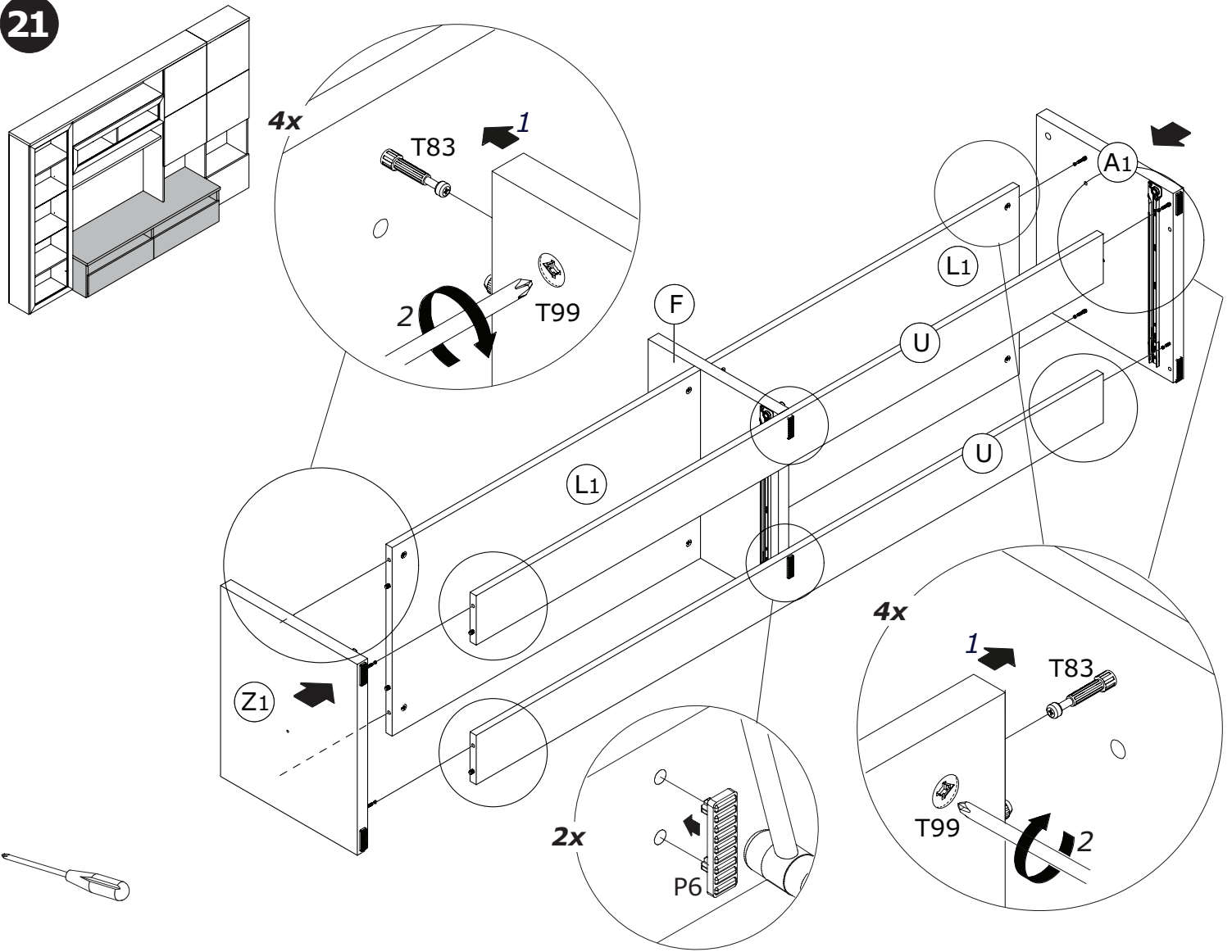
19



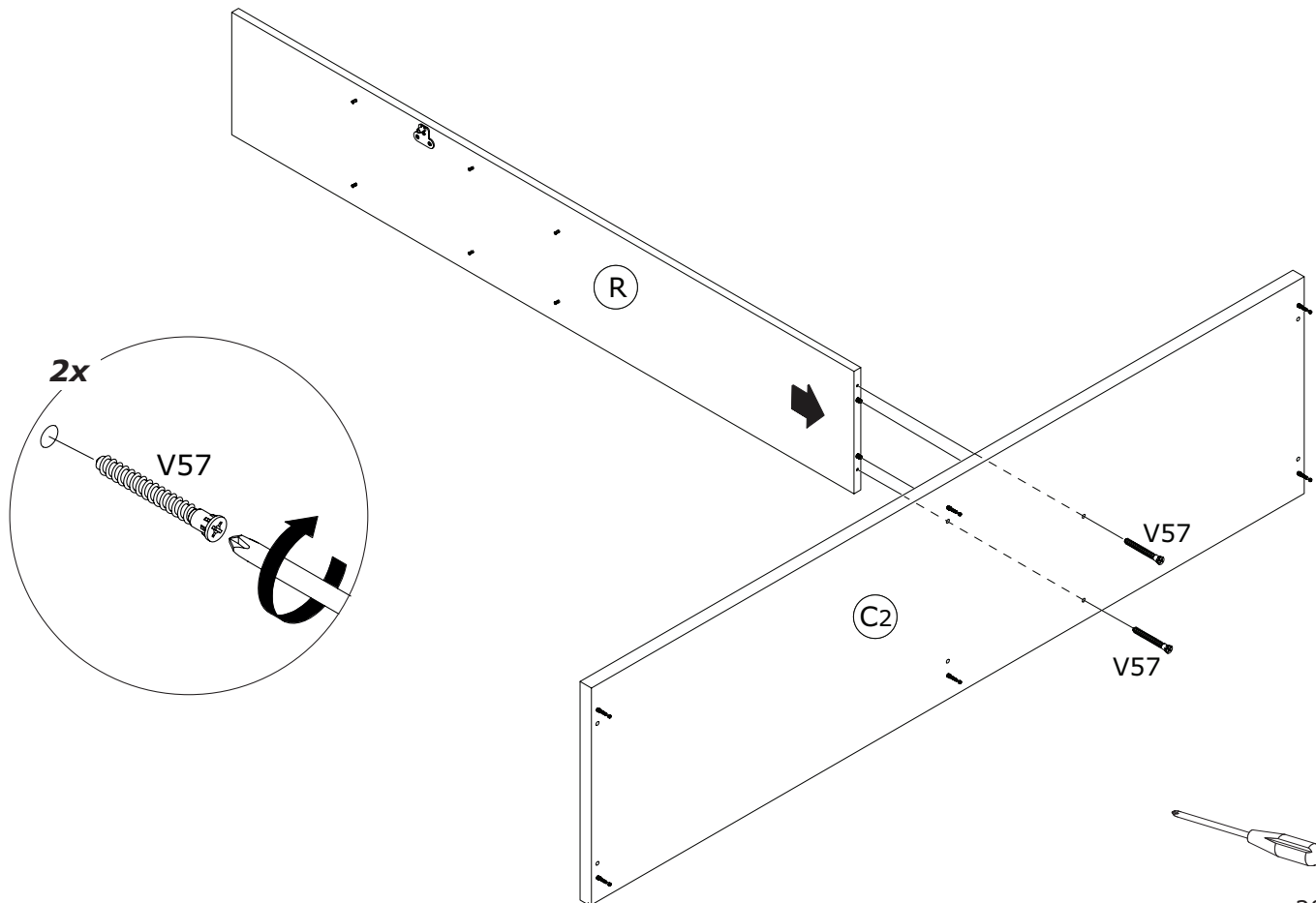
20



21

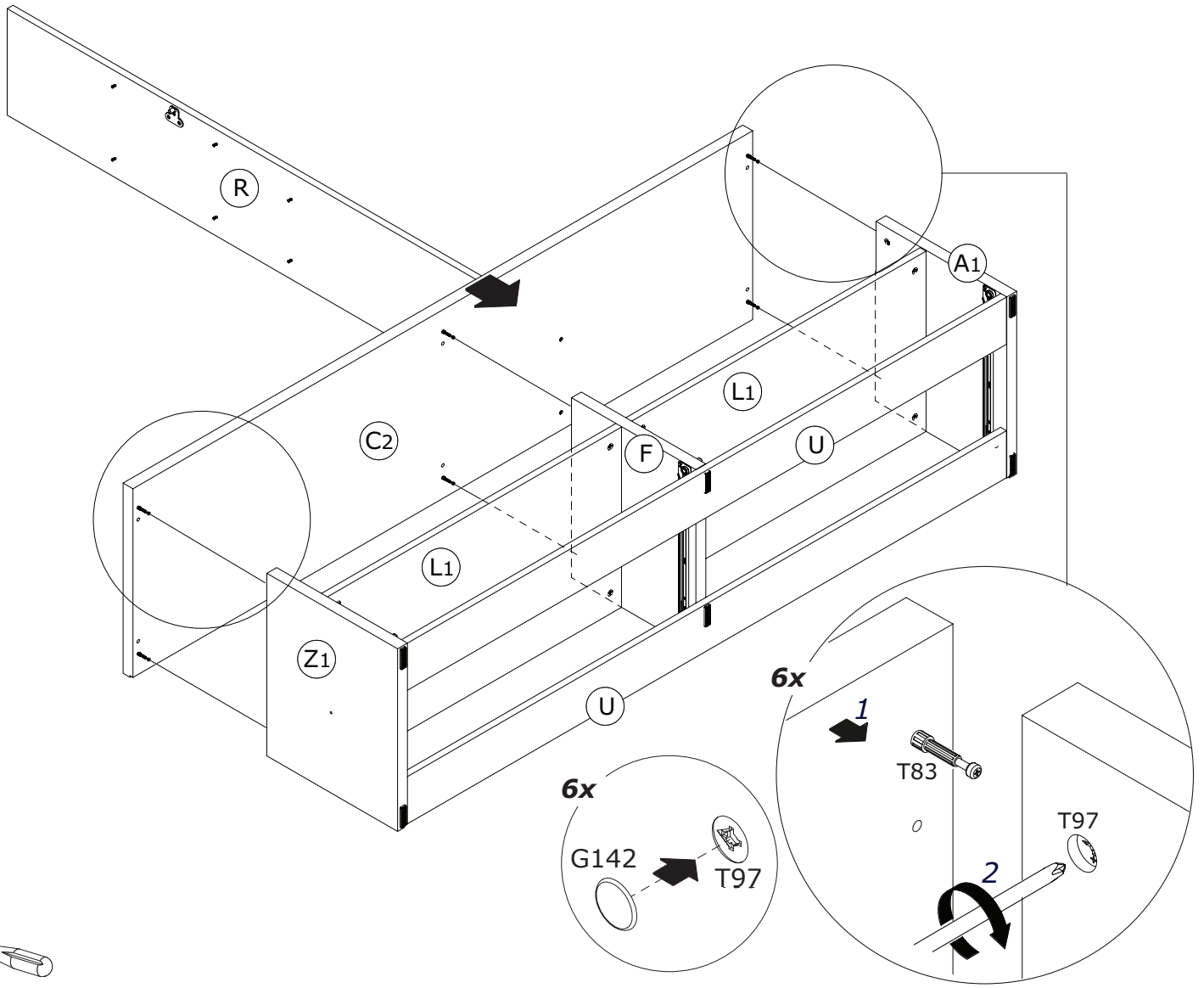


22

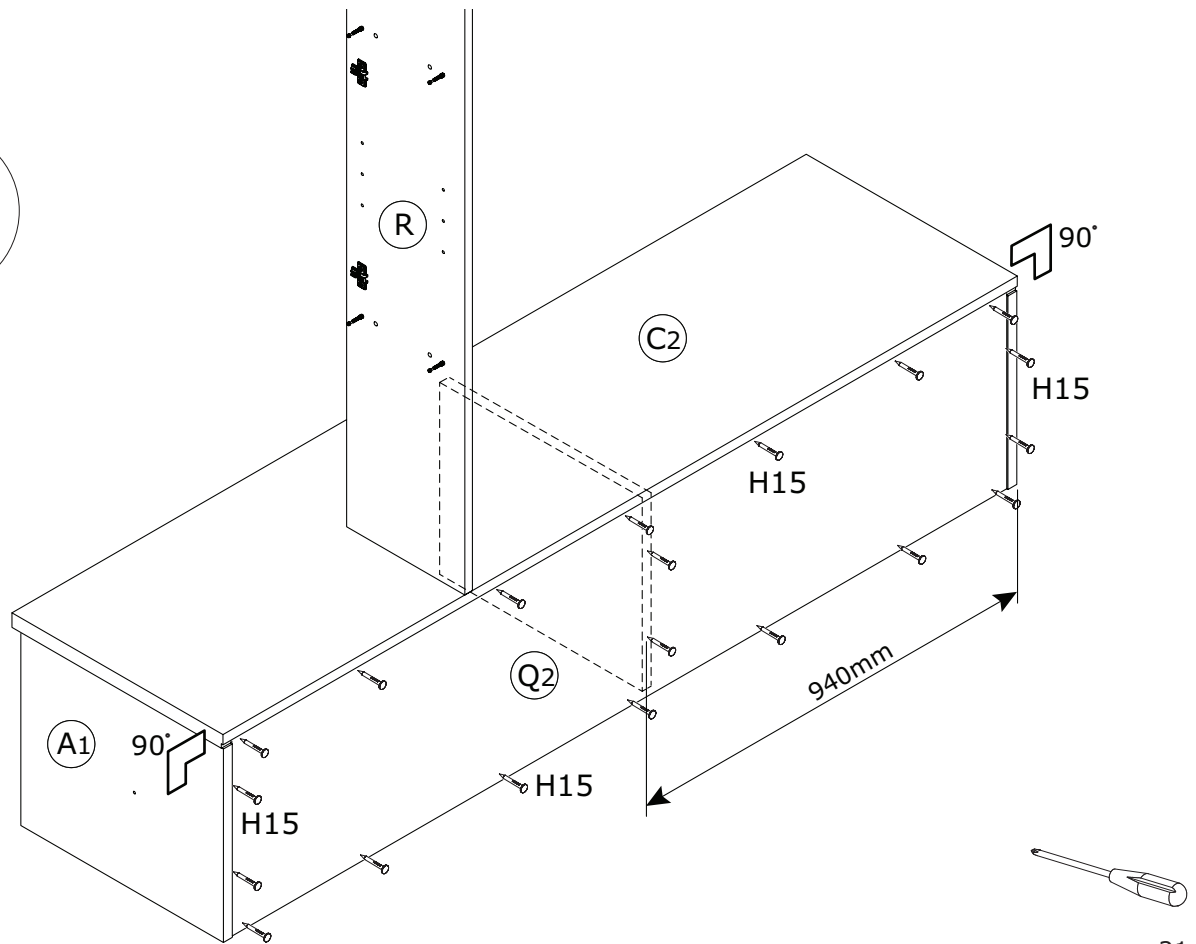
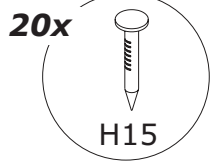




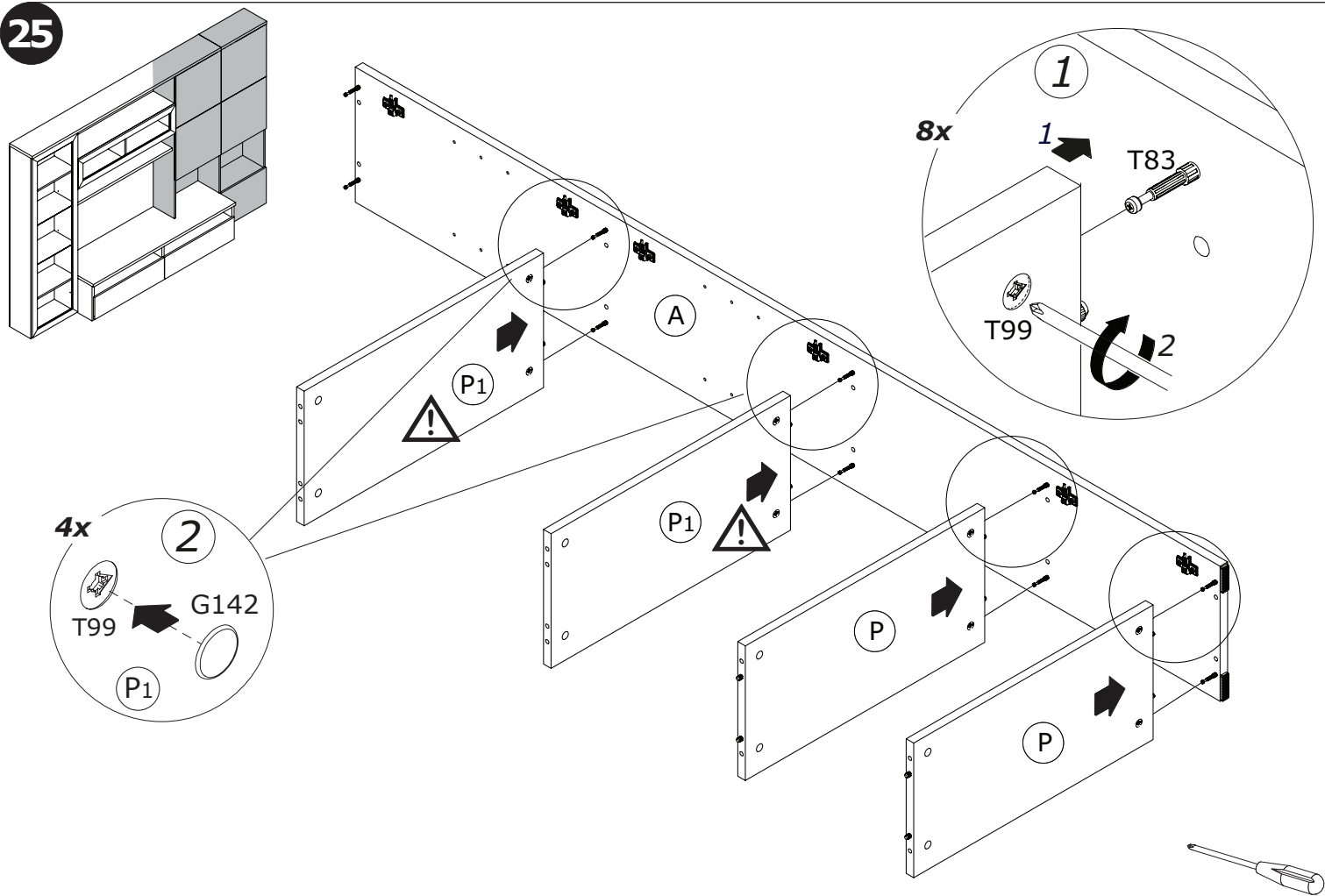
23



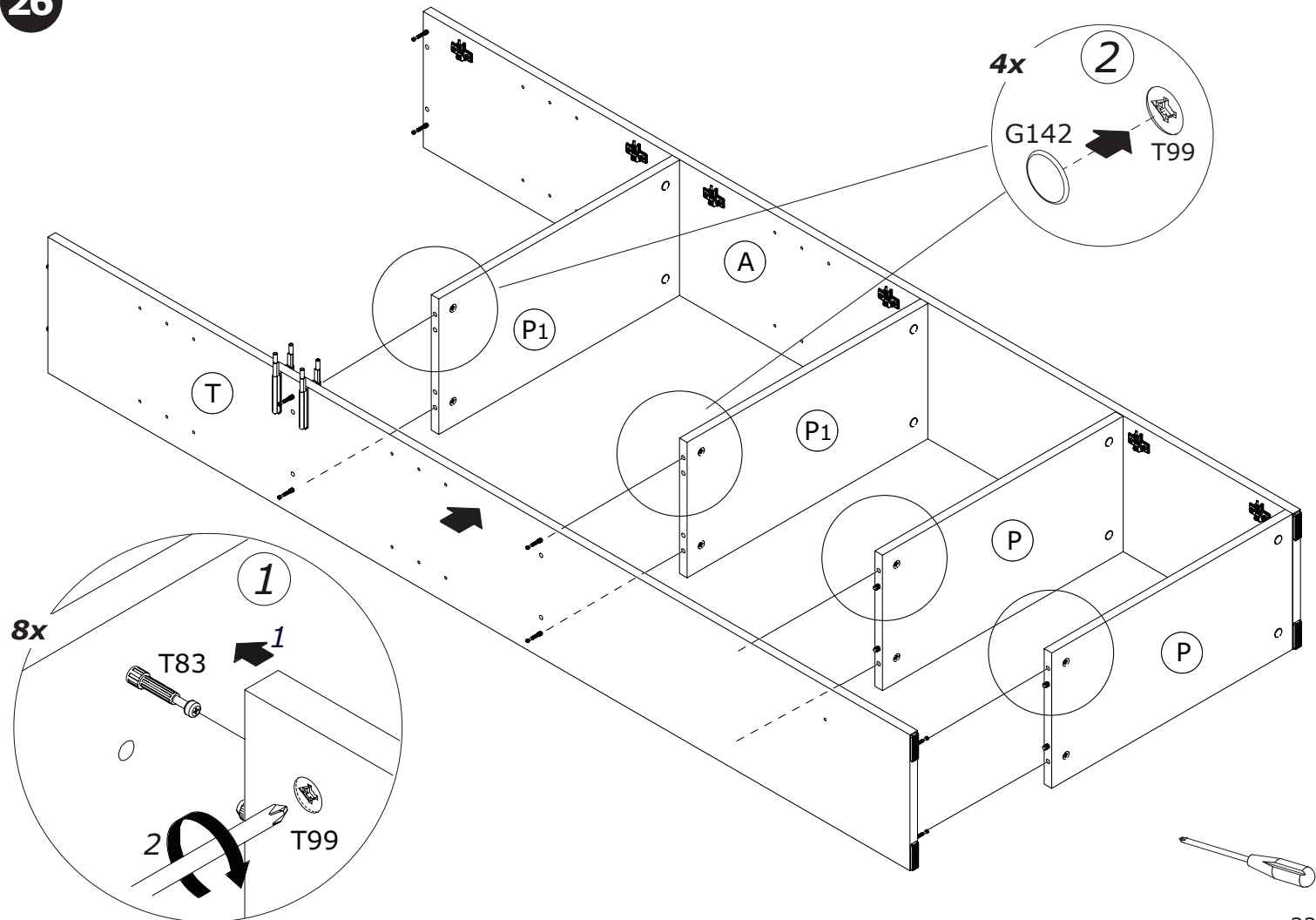
24

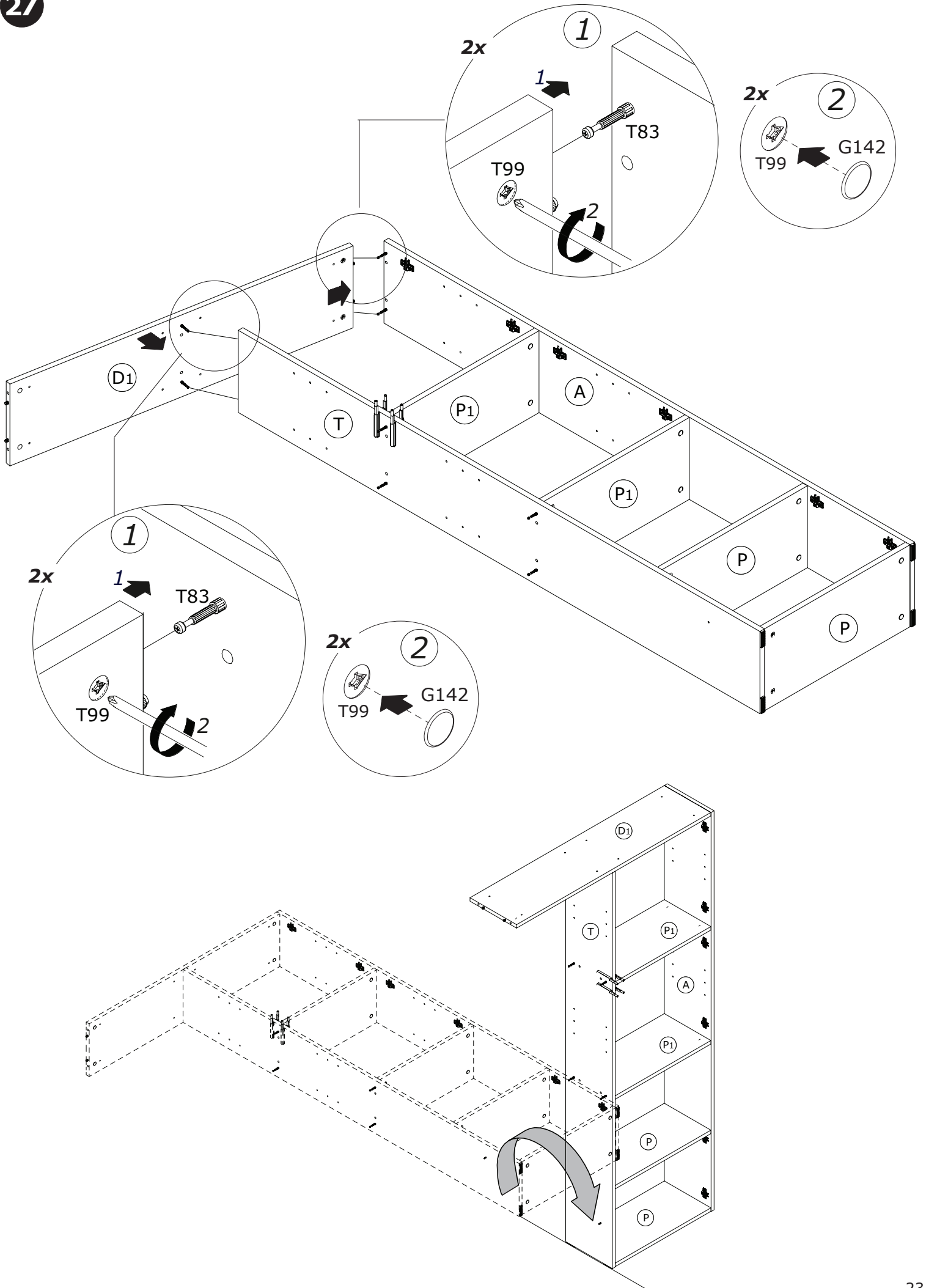


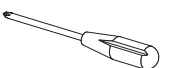
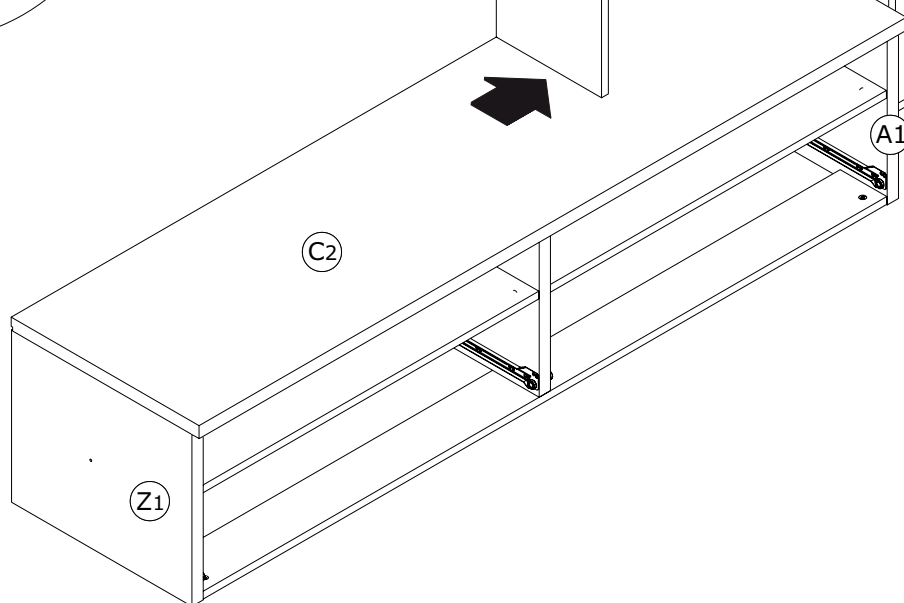
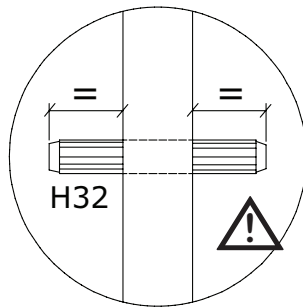
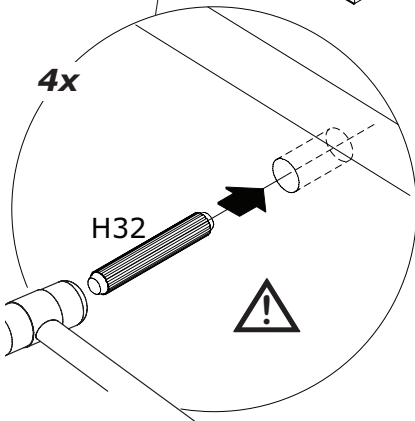
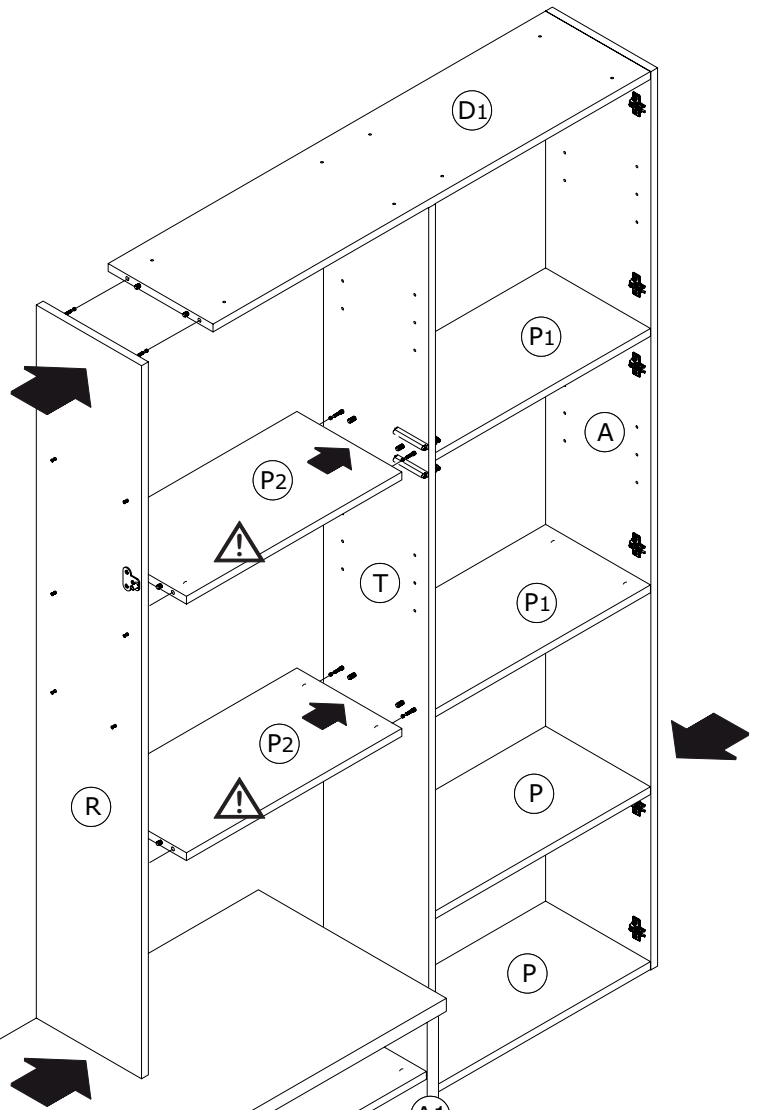
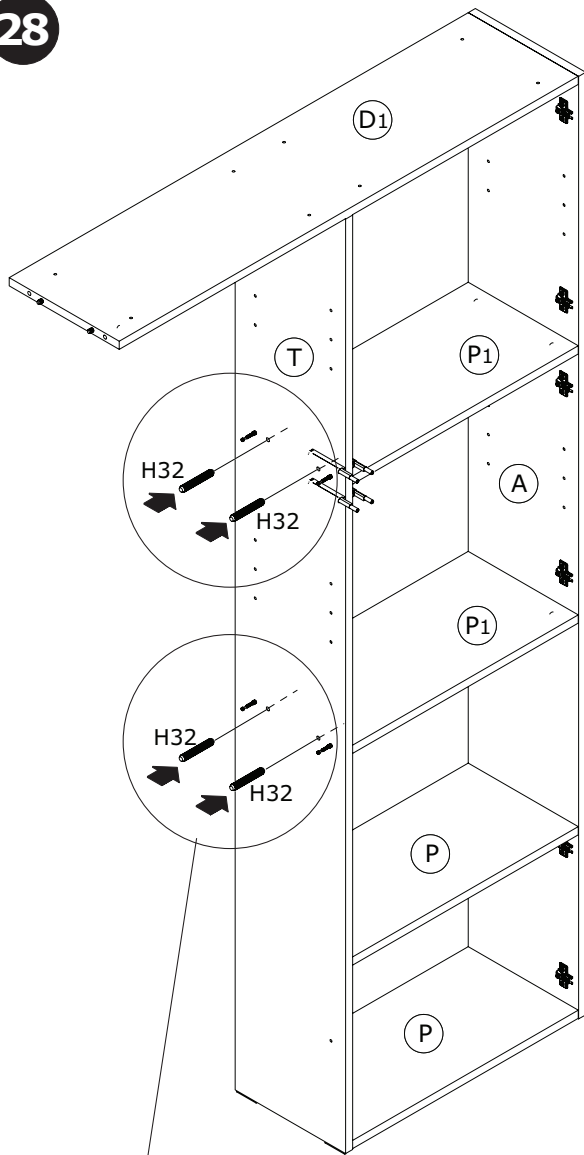
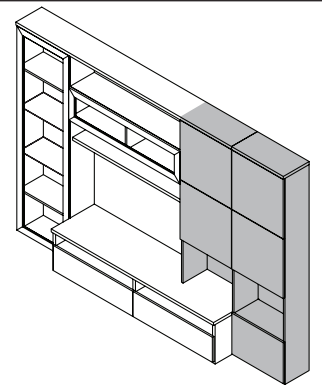
25

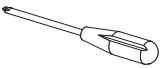
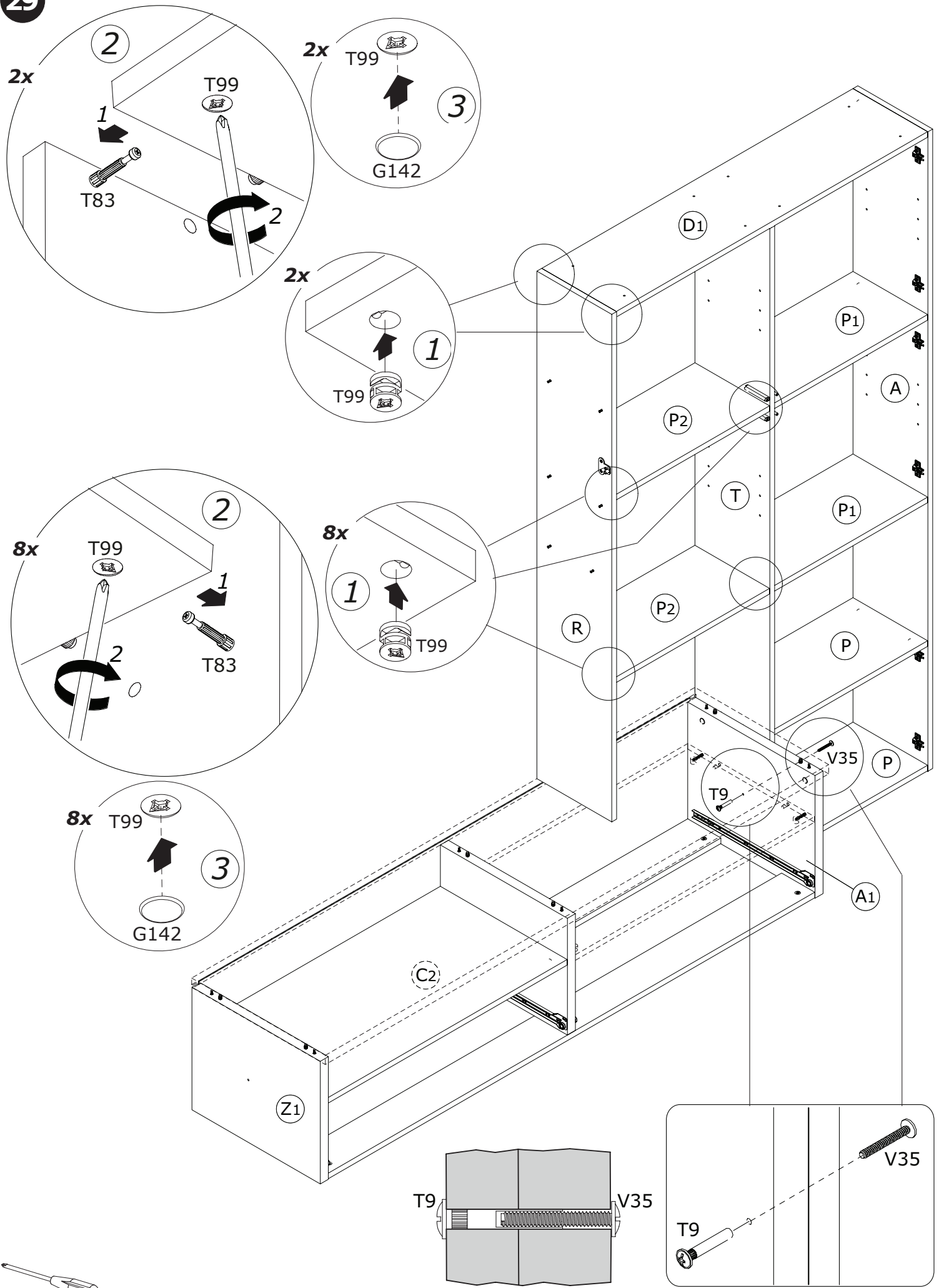


26

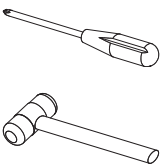
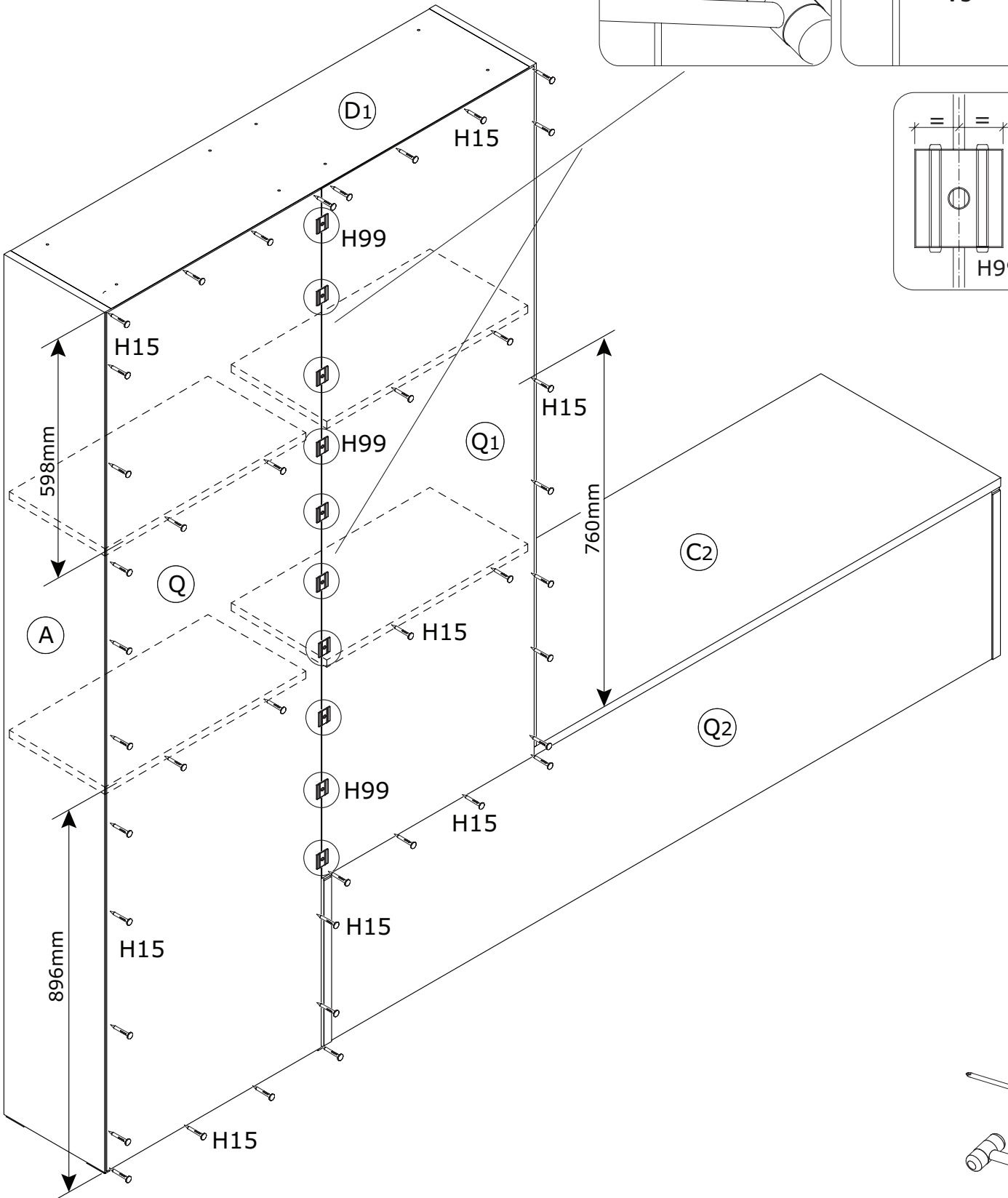
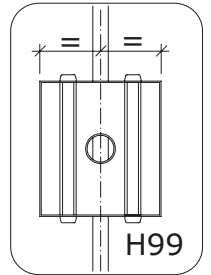
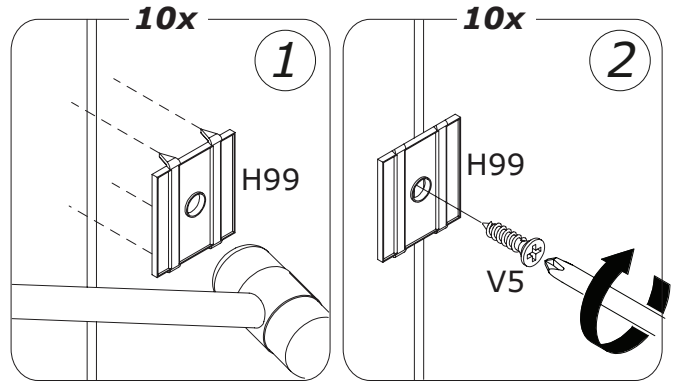
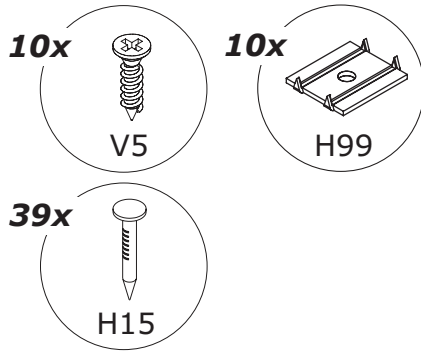
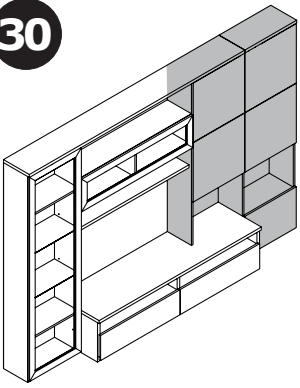




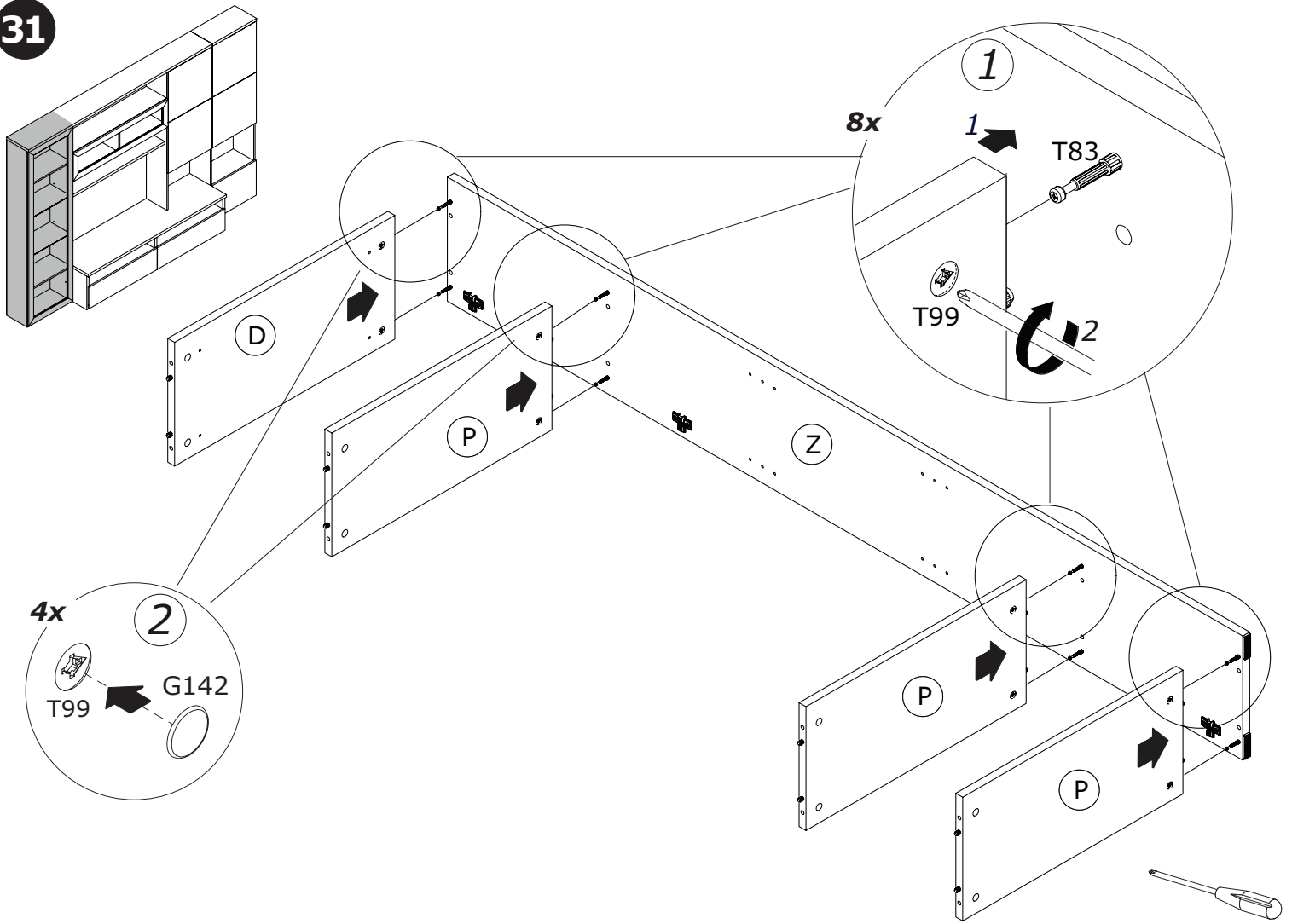




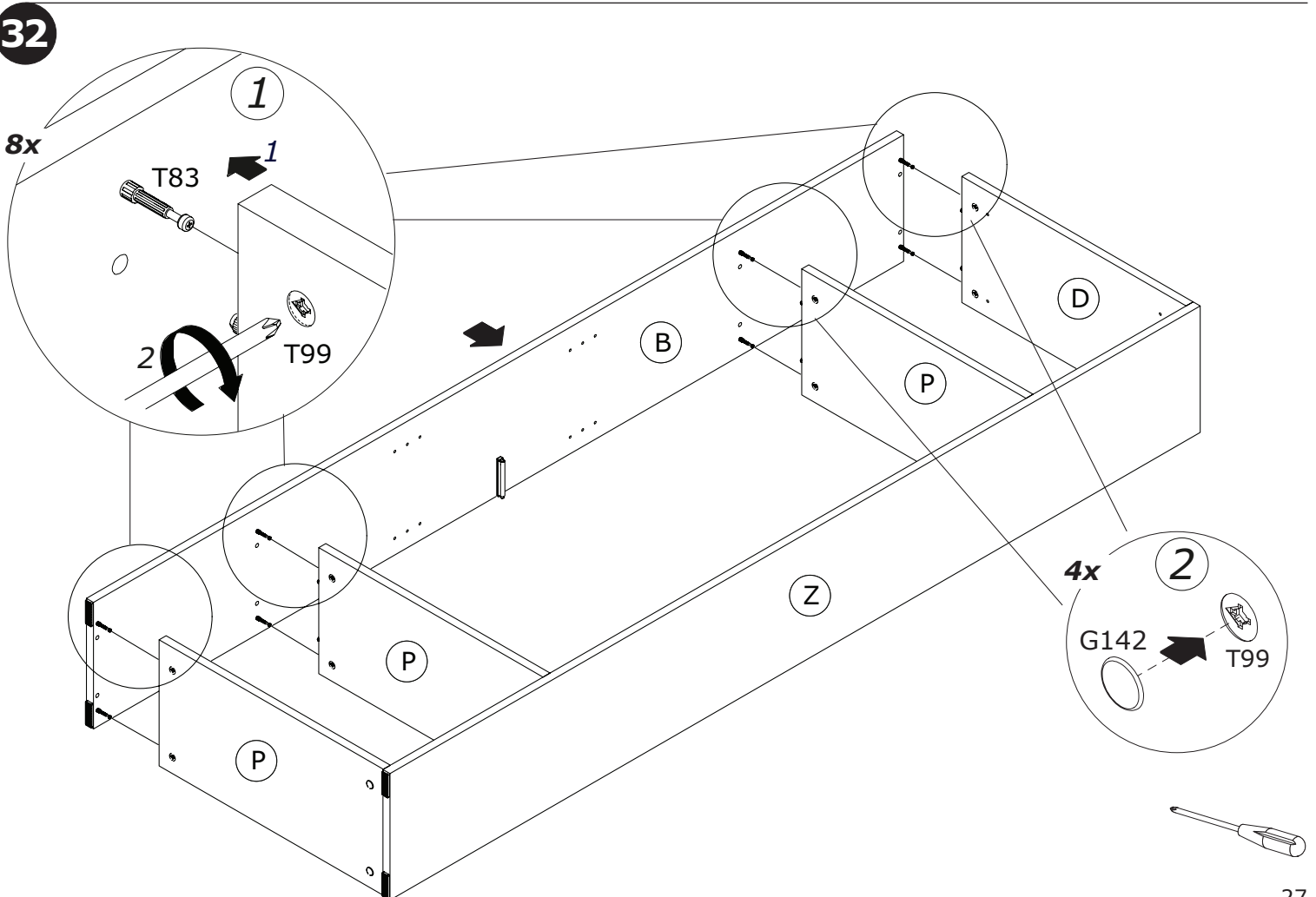
30



31

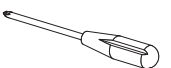
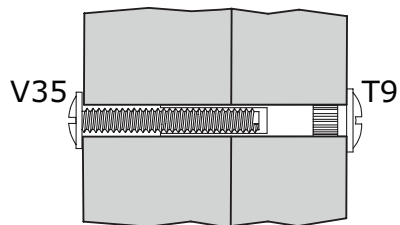
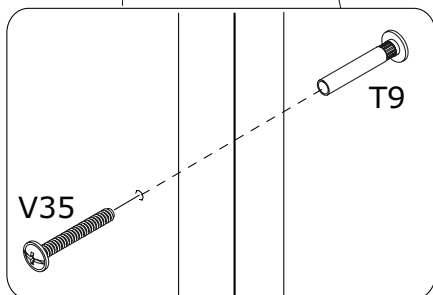
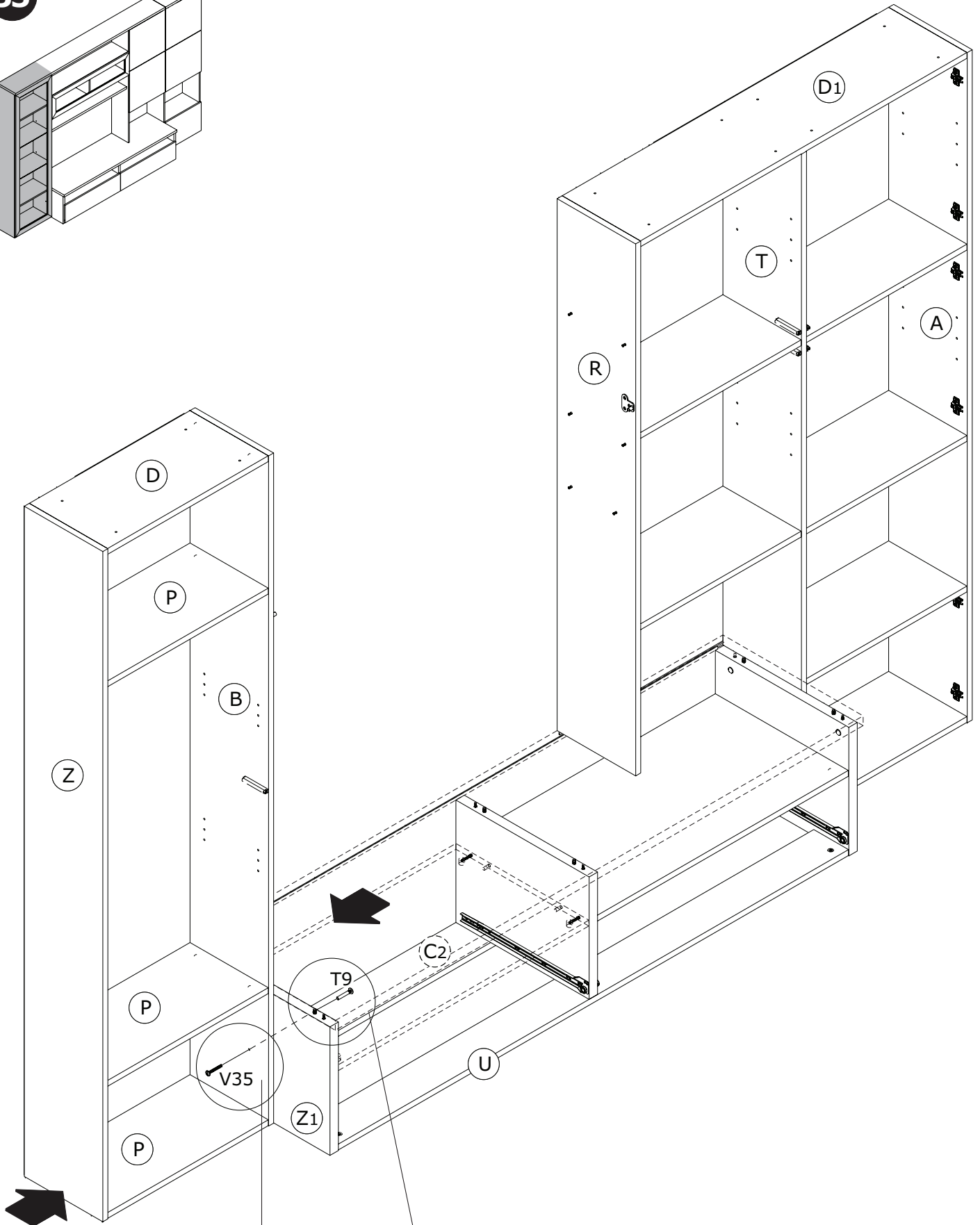
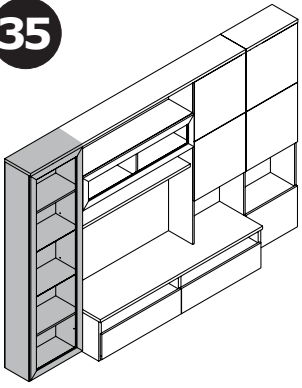


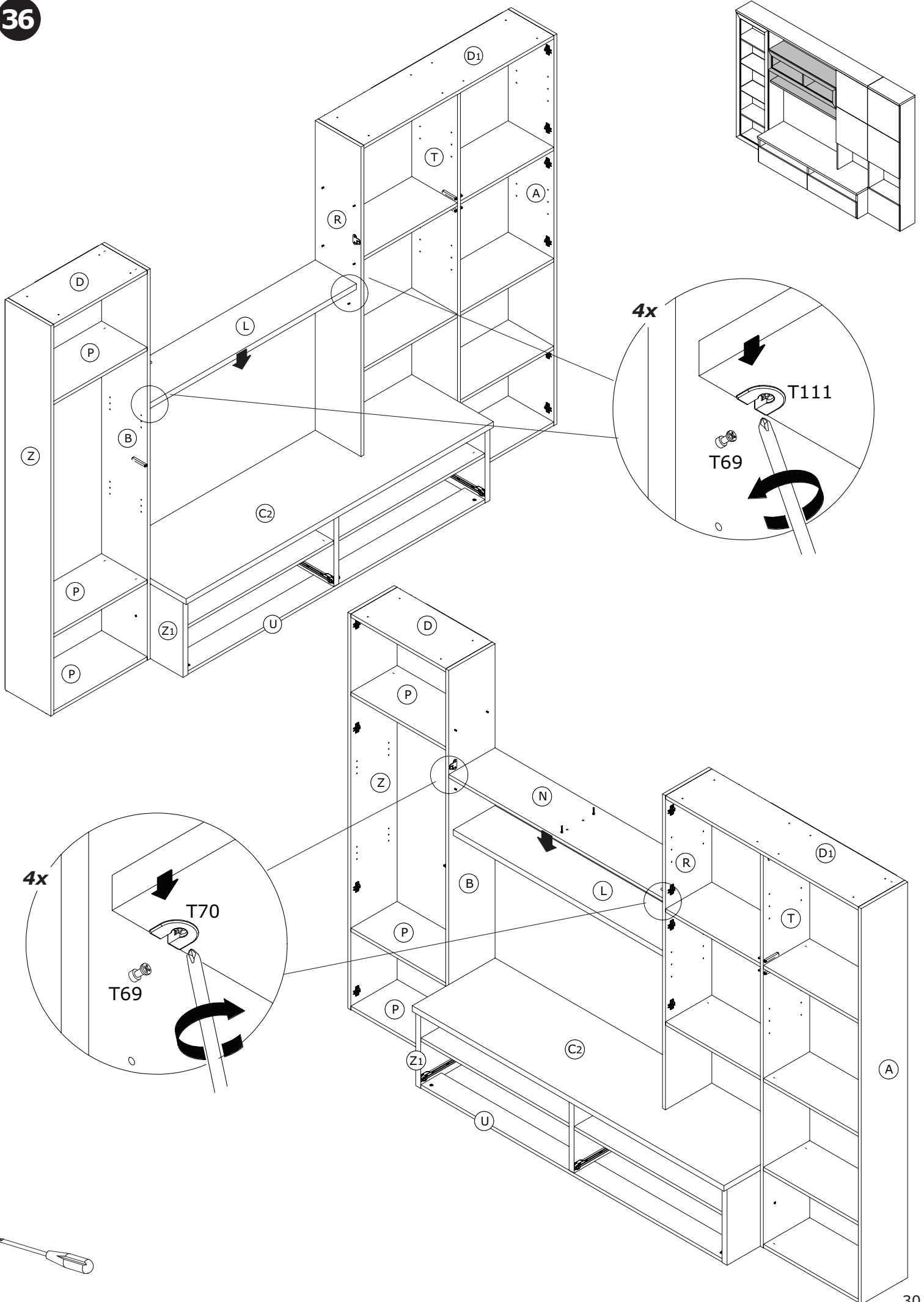
32

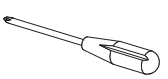
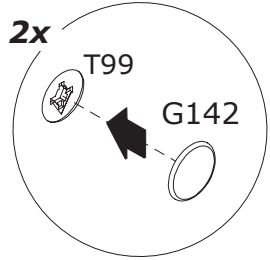
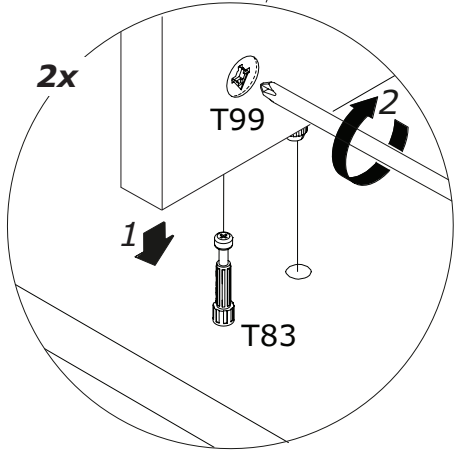
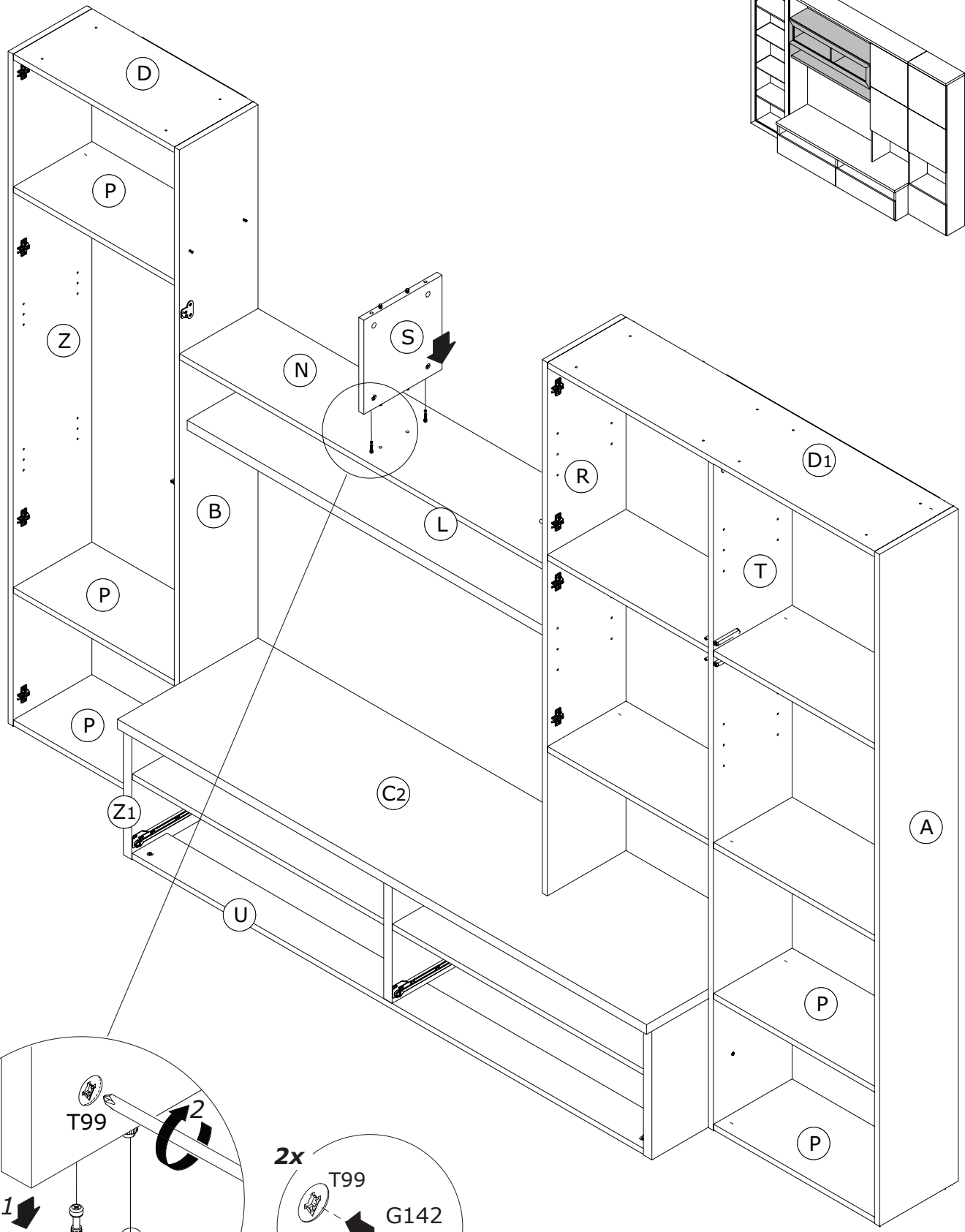
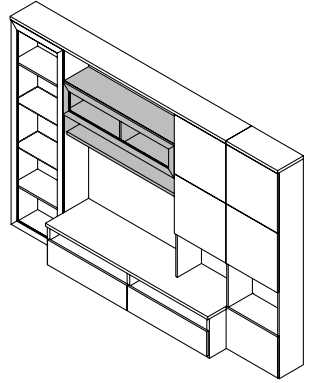


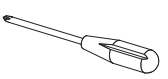
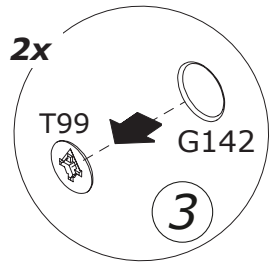
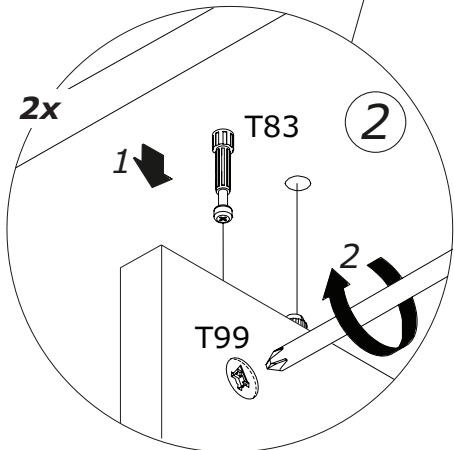
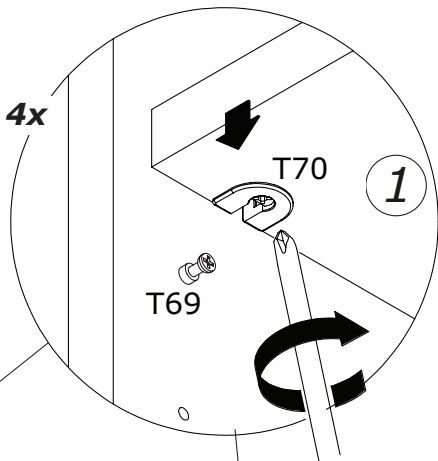
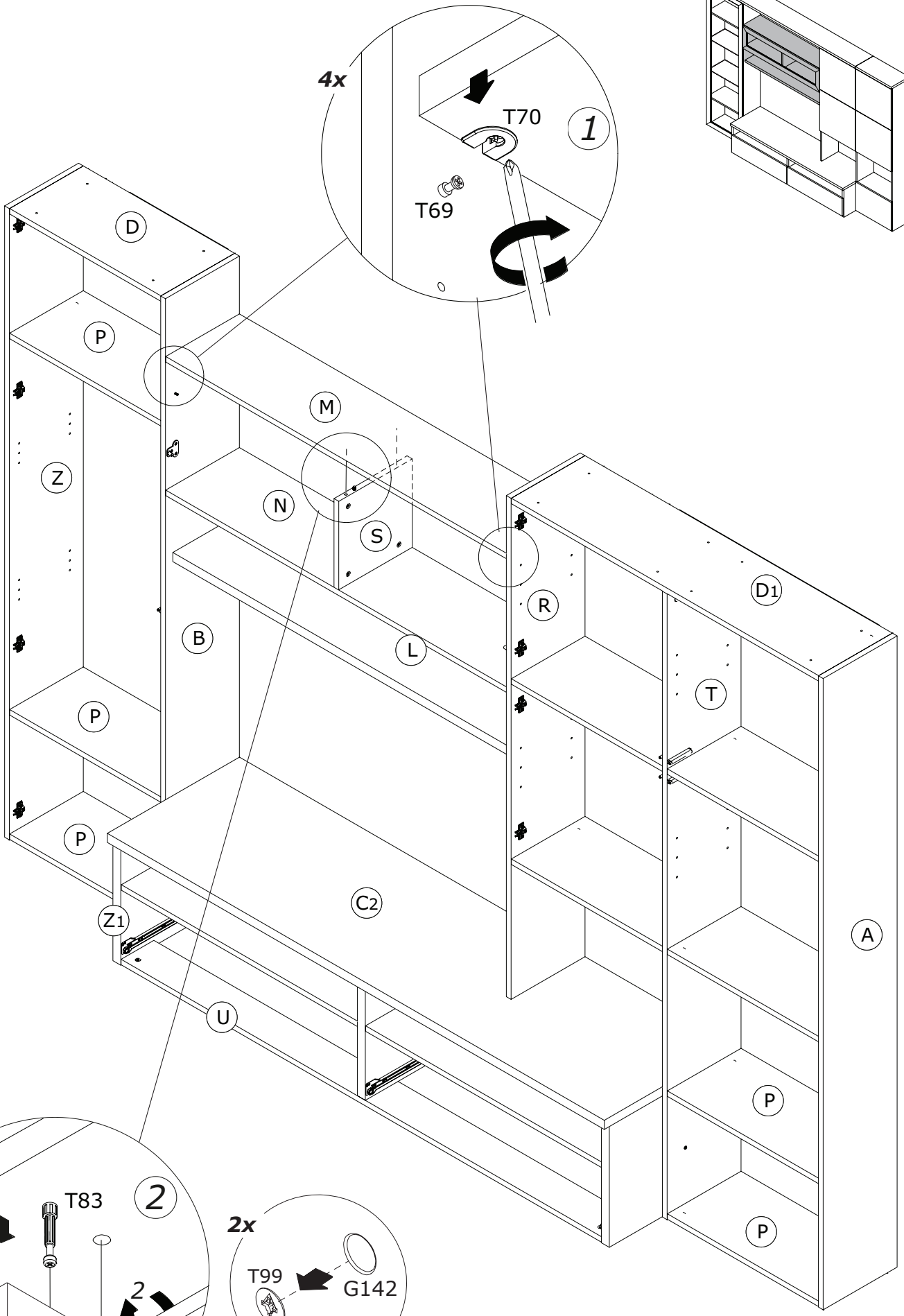
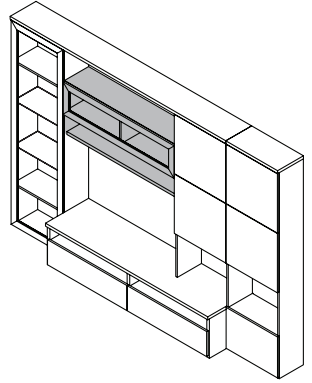


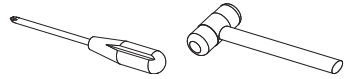
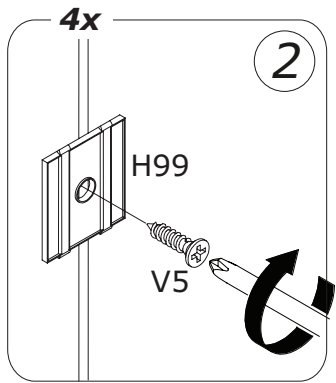
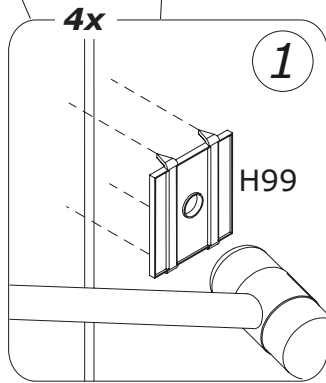
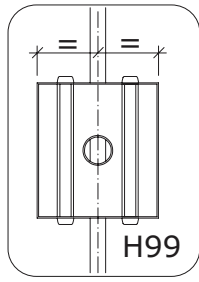
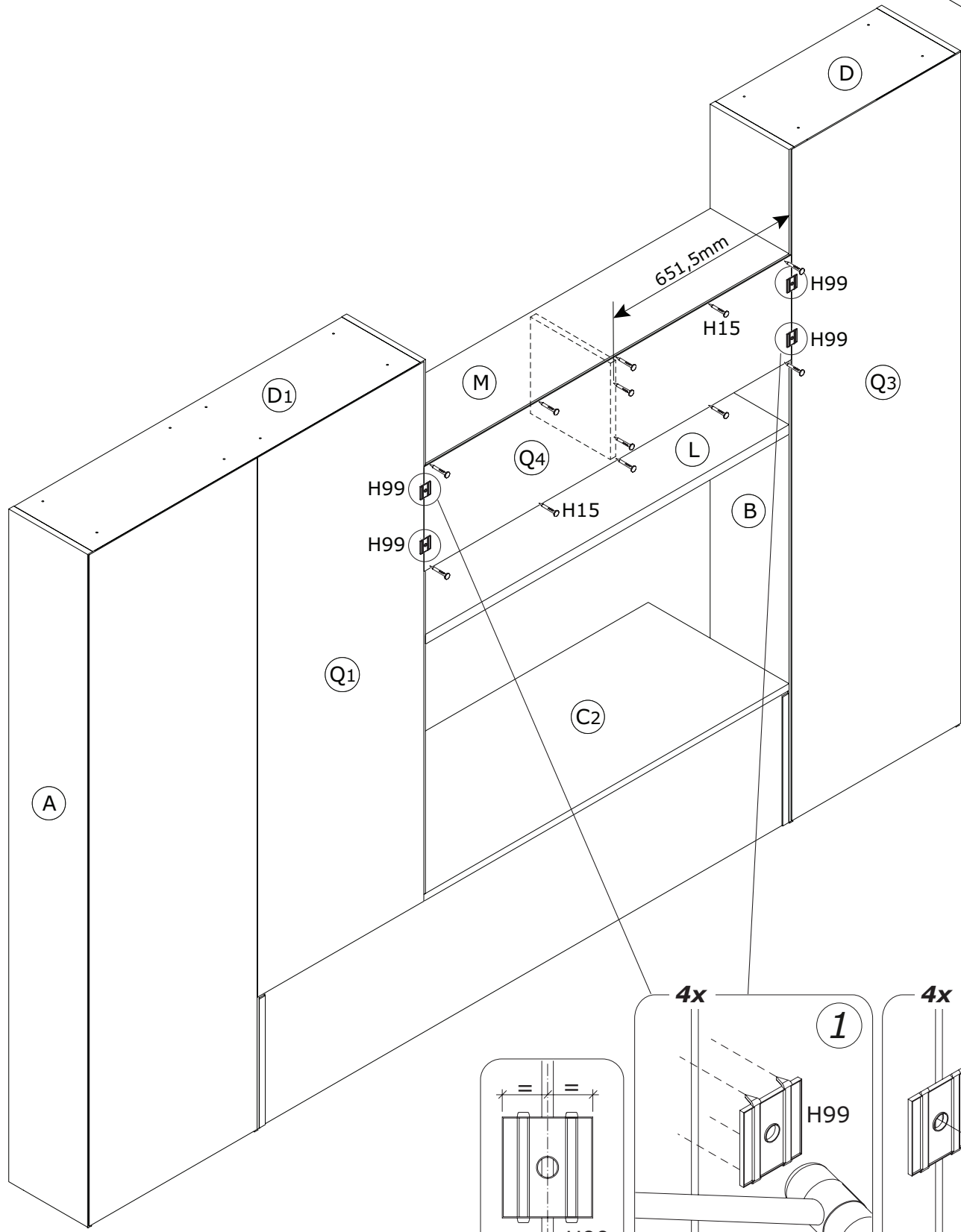
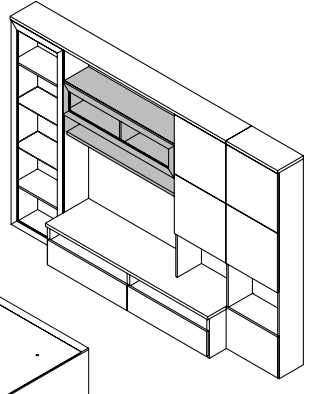
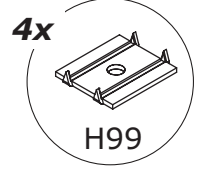
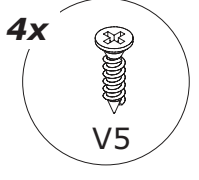
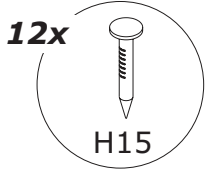


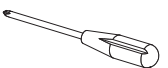
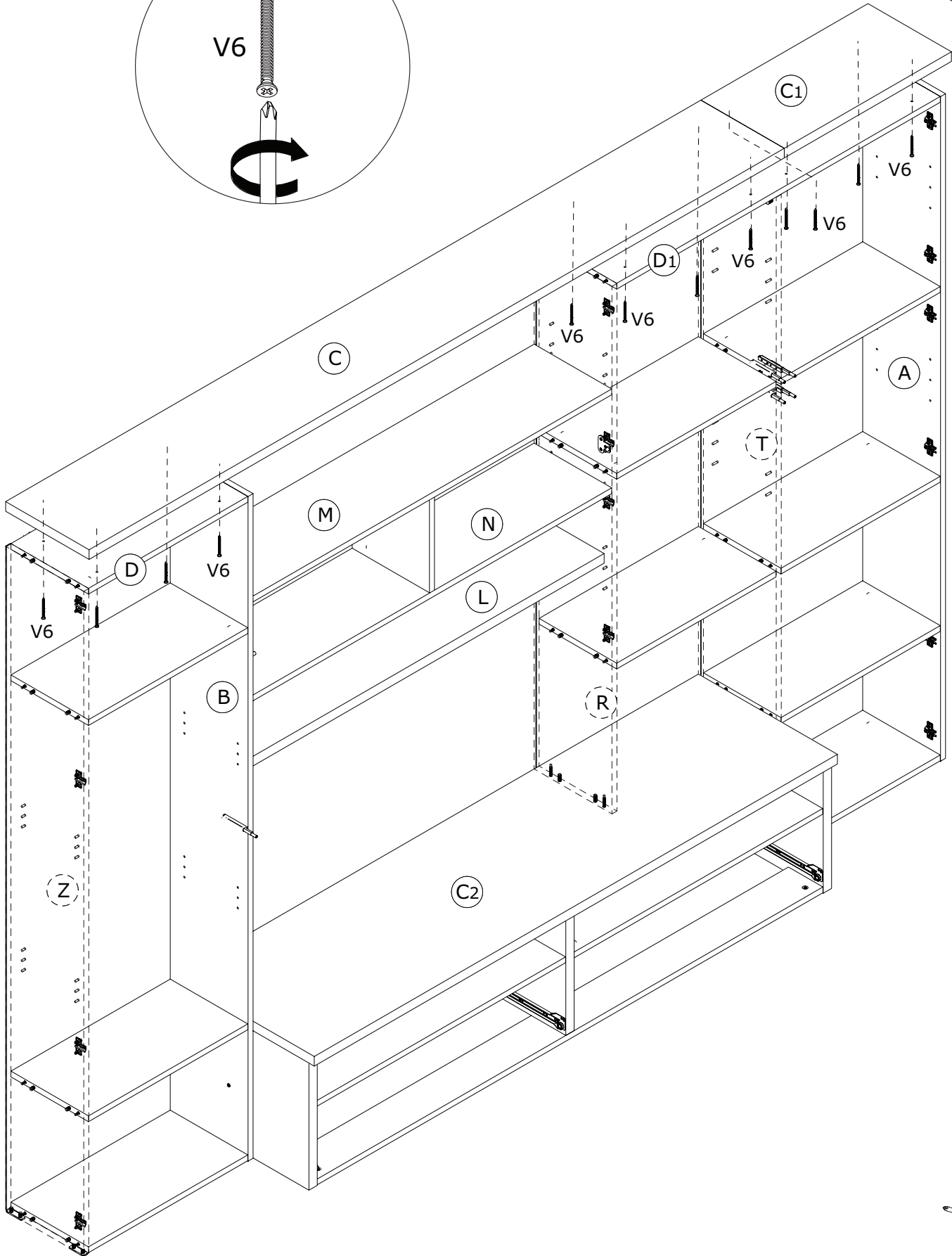
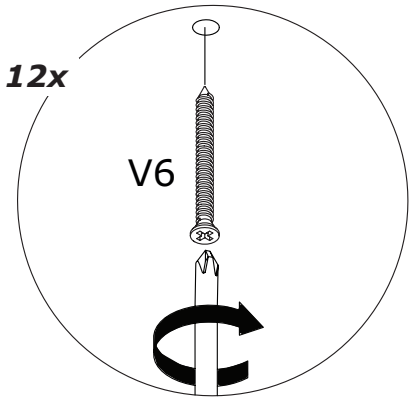
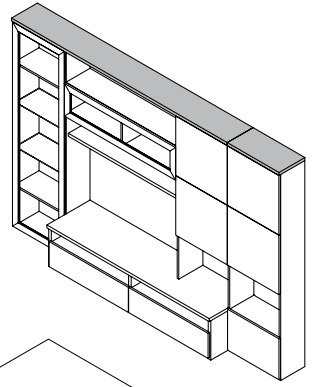


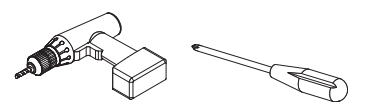
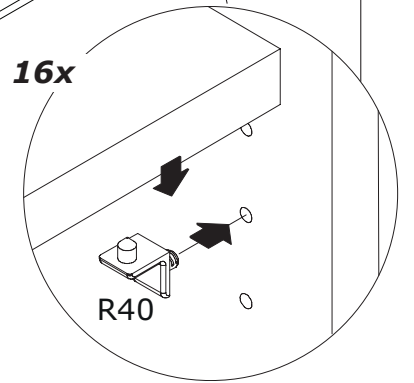
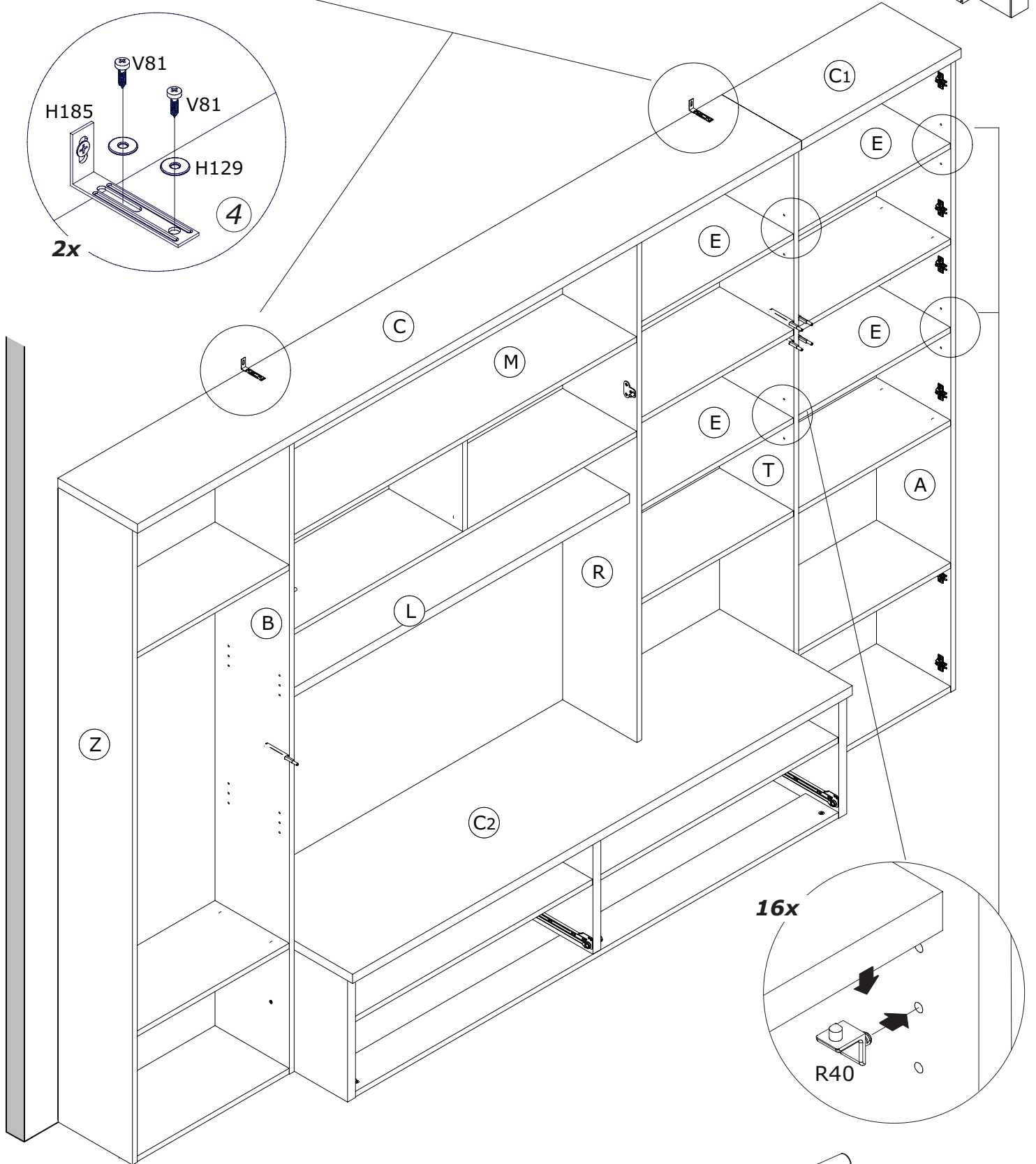
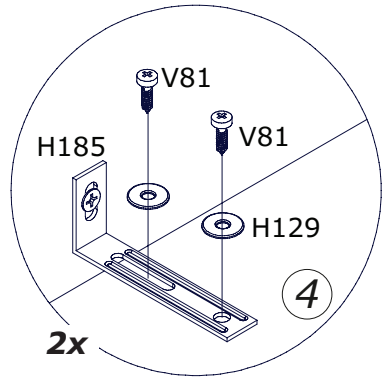
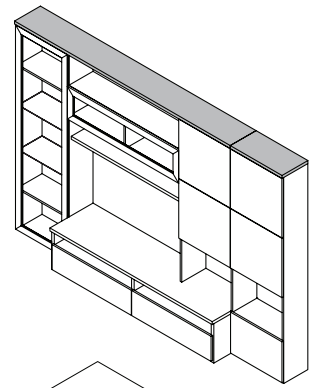
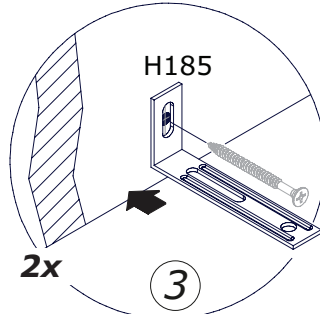
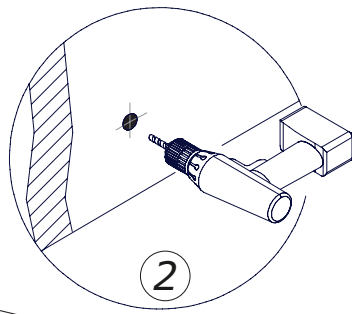
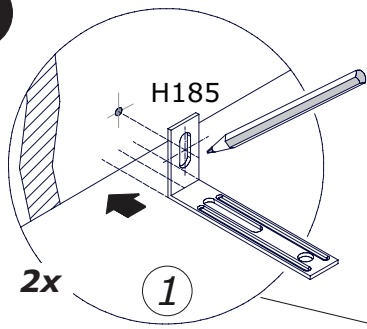


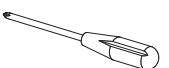
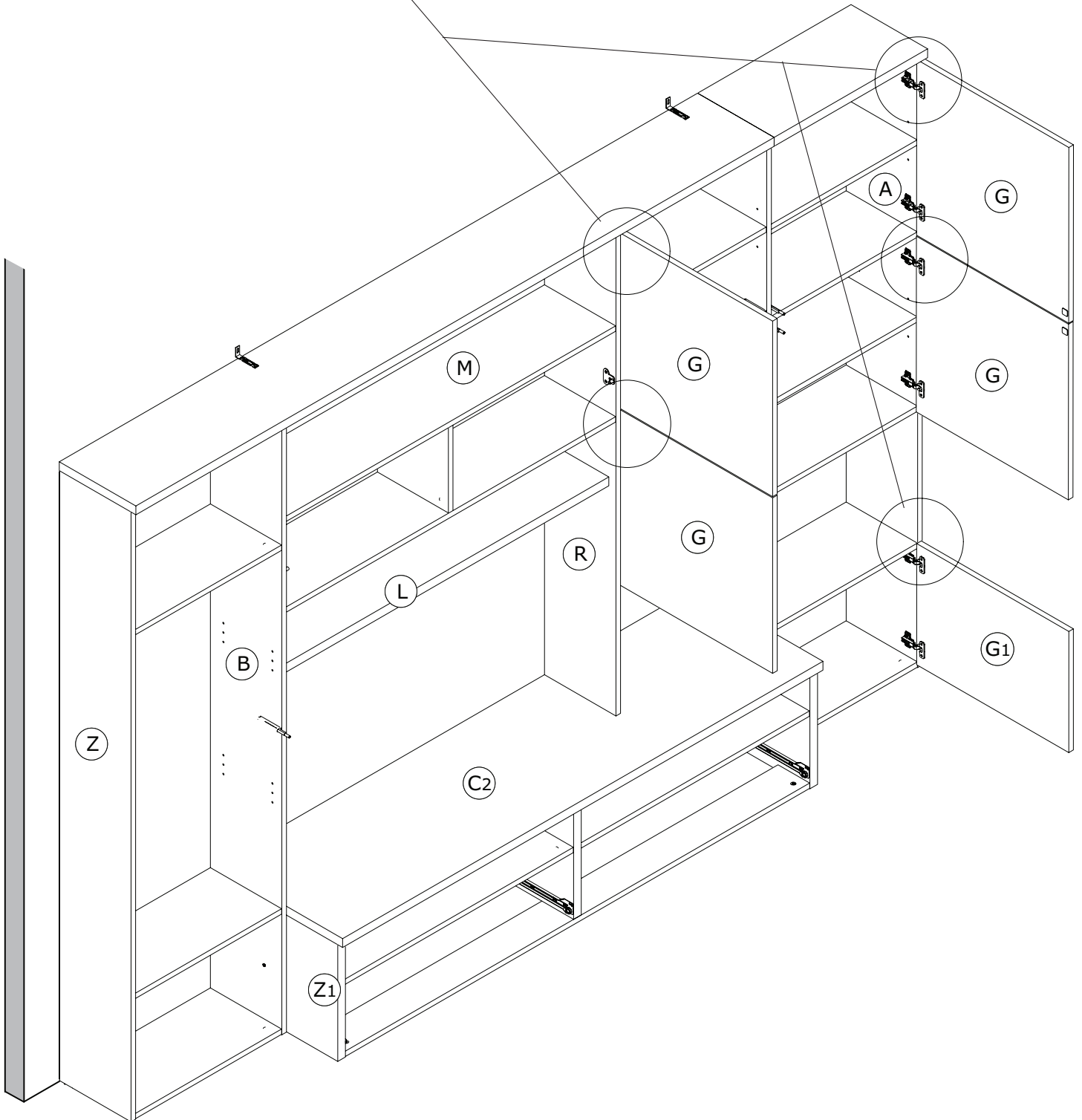
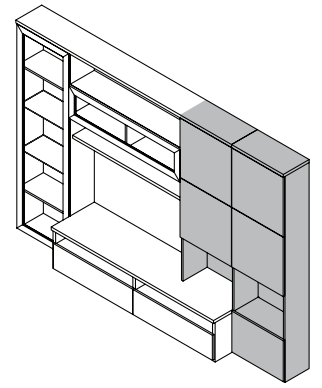
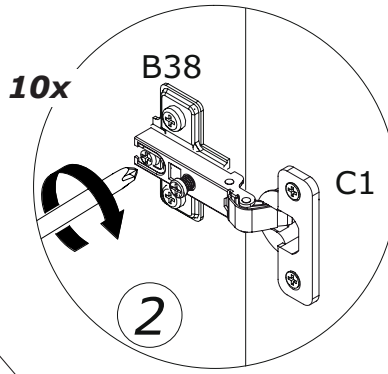
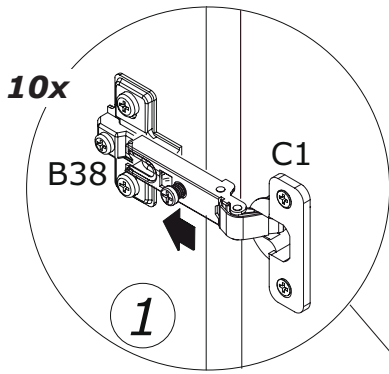




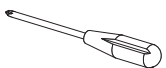
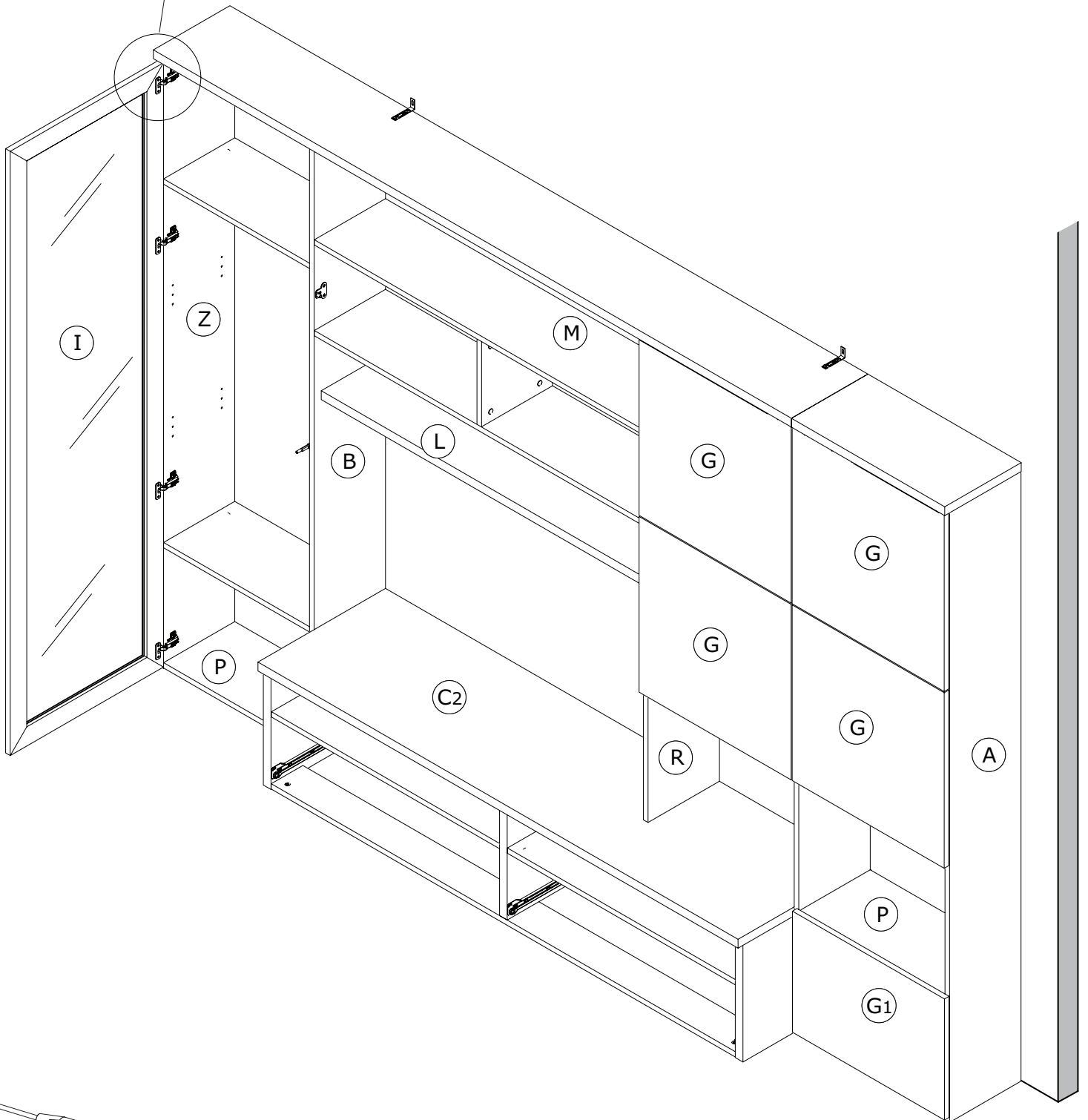
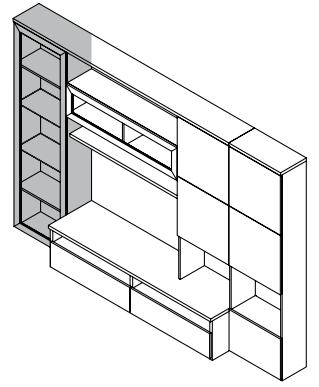
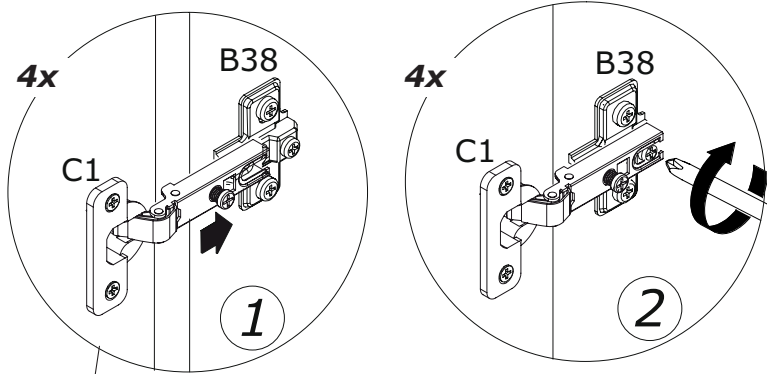


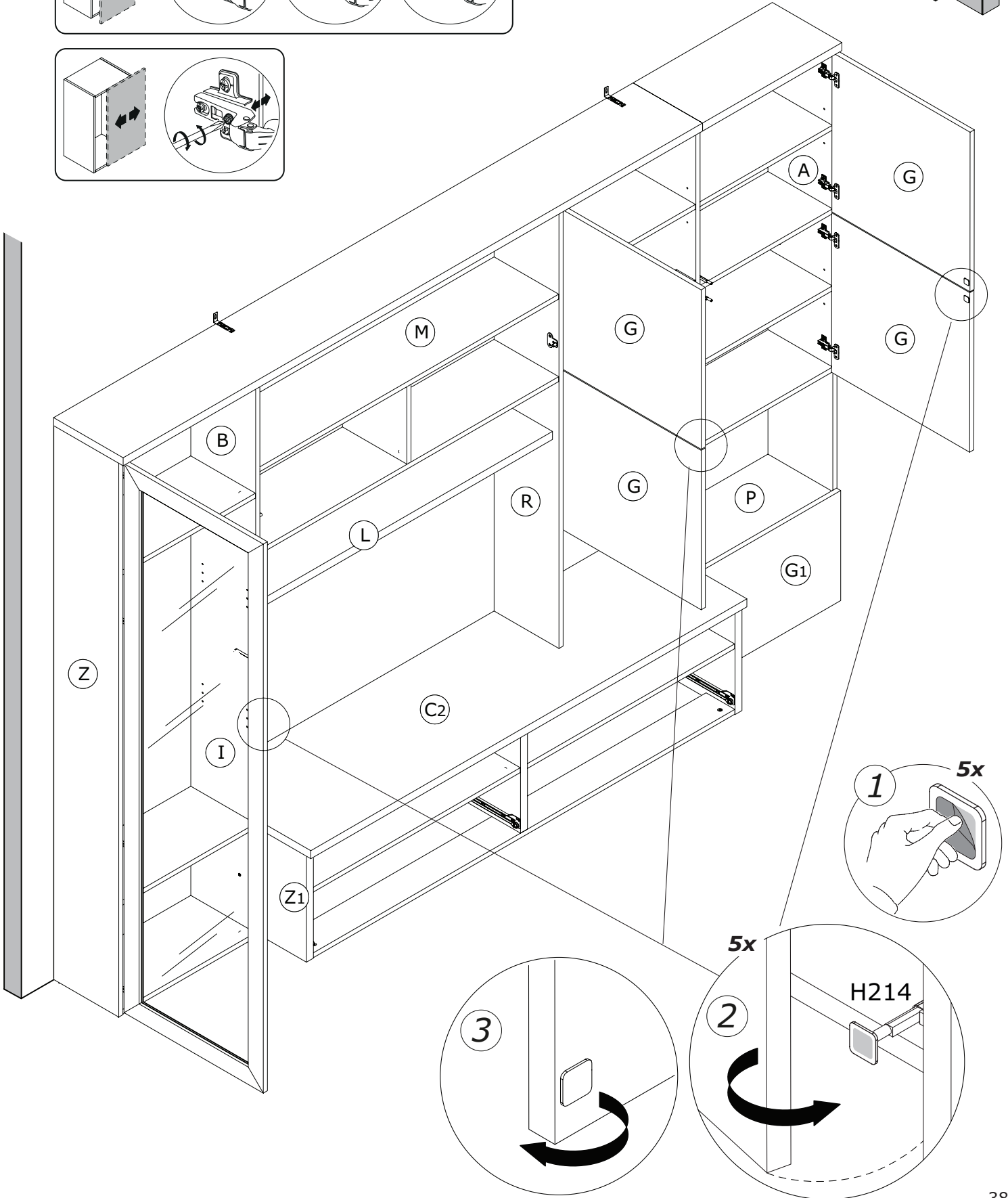
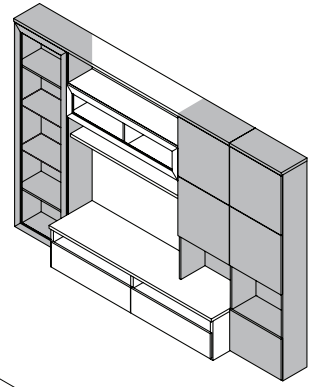
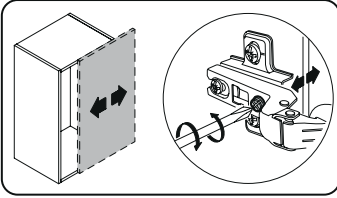
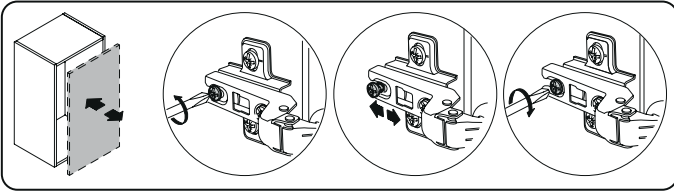
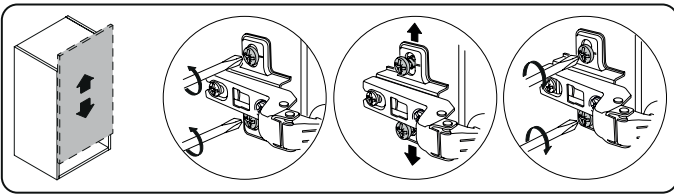


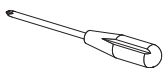
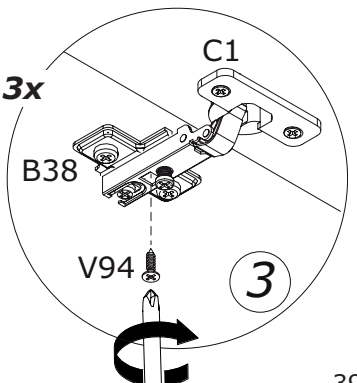
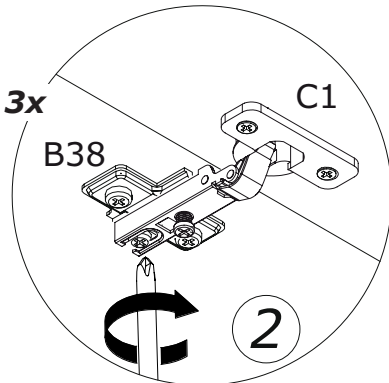
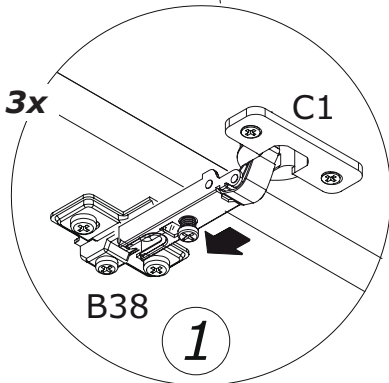
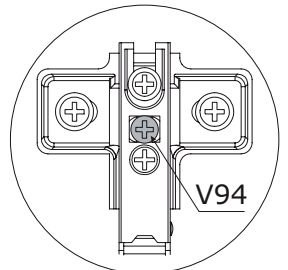
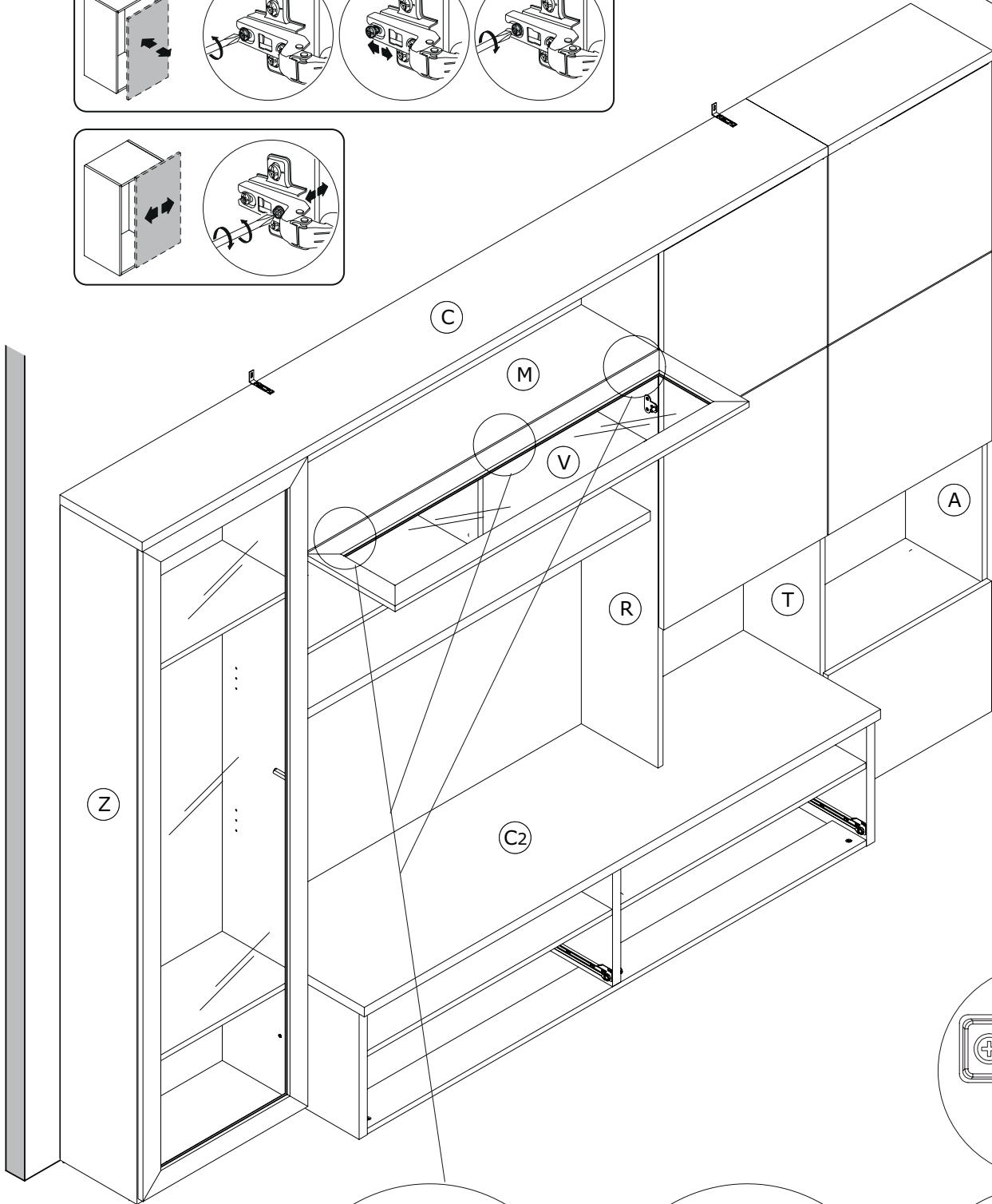
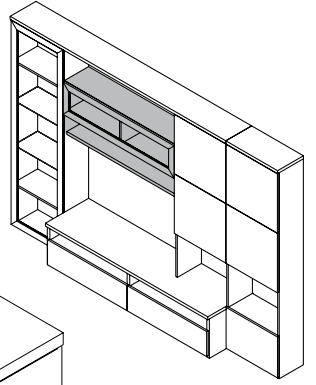
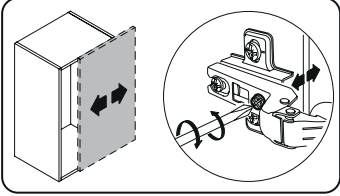
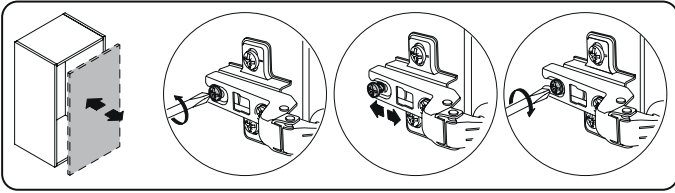
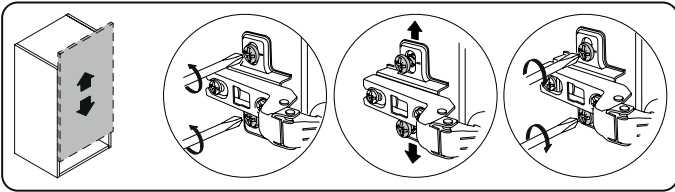












32

