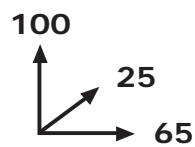
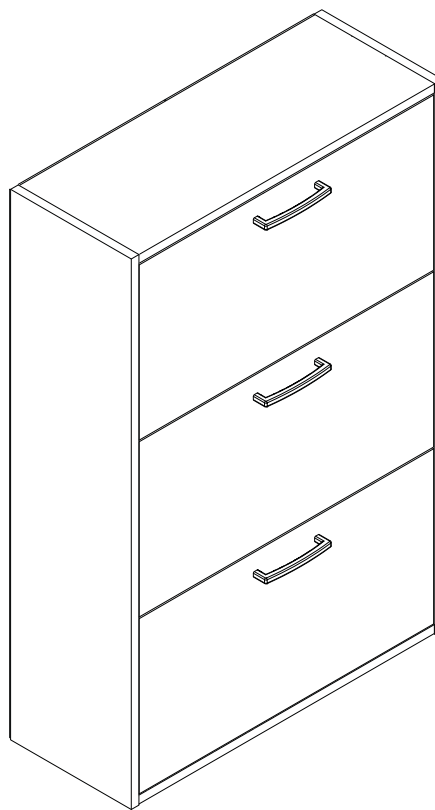
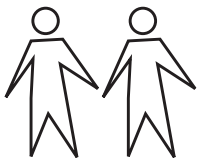


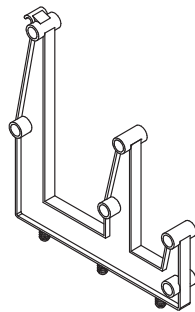
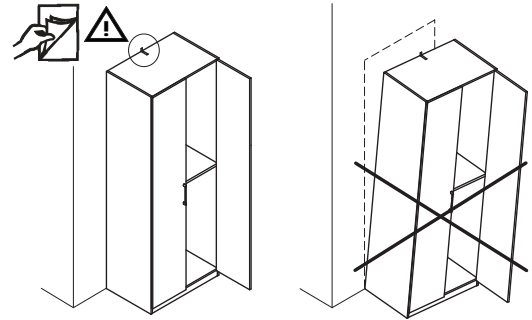
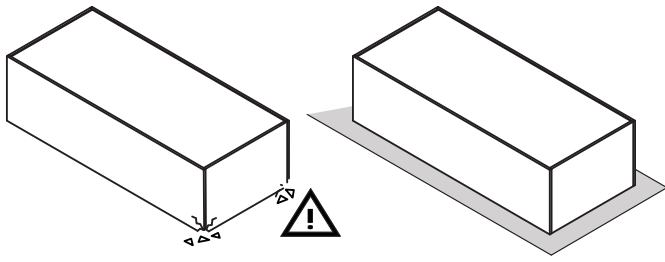
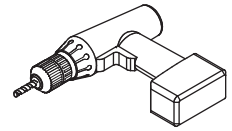
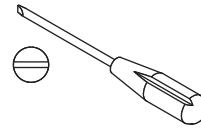
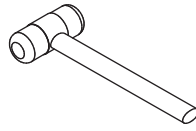
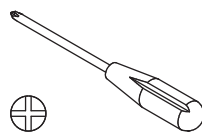
SC1357K50107



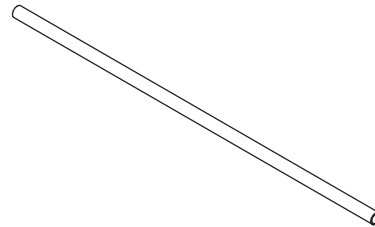
QF4467



1,5h

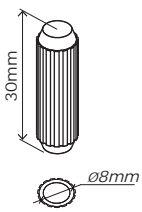


W117
x6

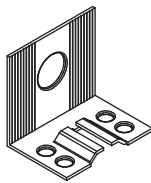


W435
x18

BU3665



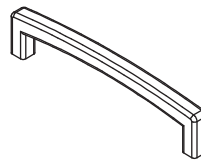
H1
x6



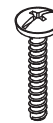
H16
x1



H106
x1



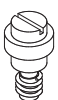
M72
x3



V25
x6



R18
x6



R28
x6



T7
x6



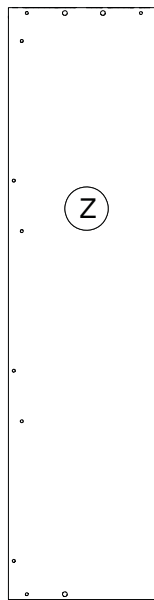
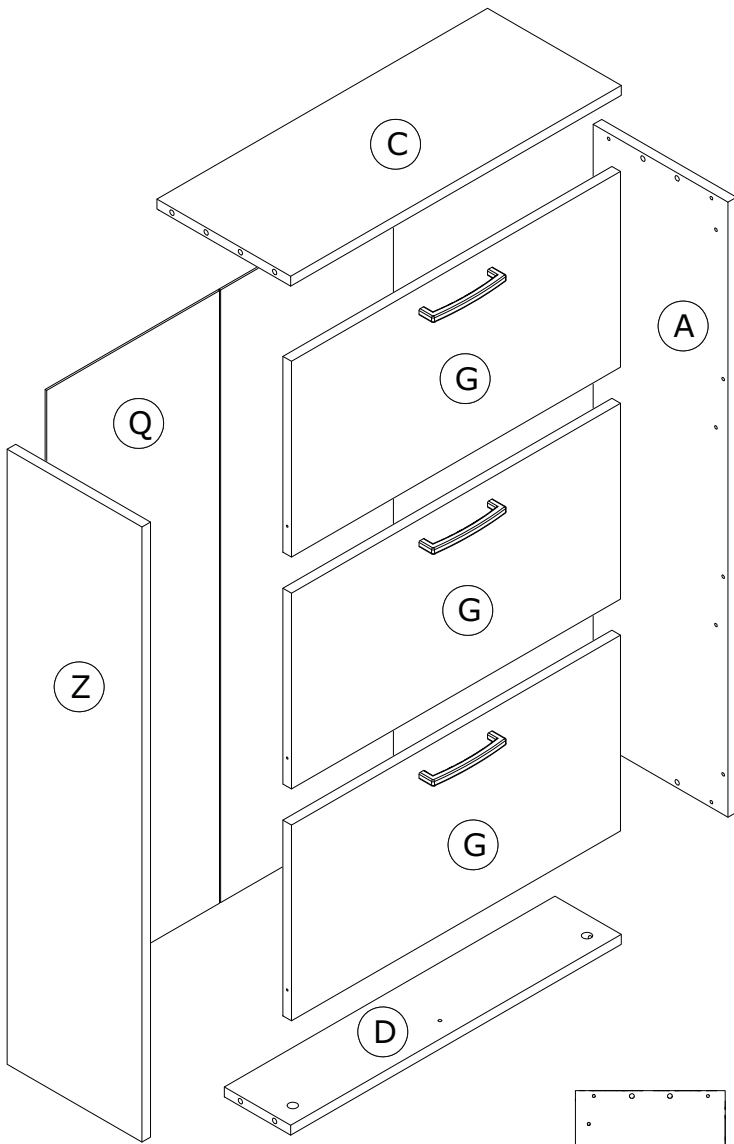
T28
x6



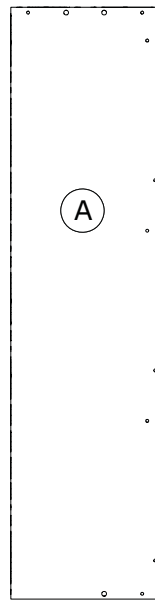
V13
x2



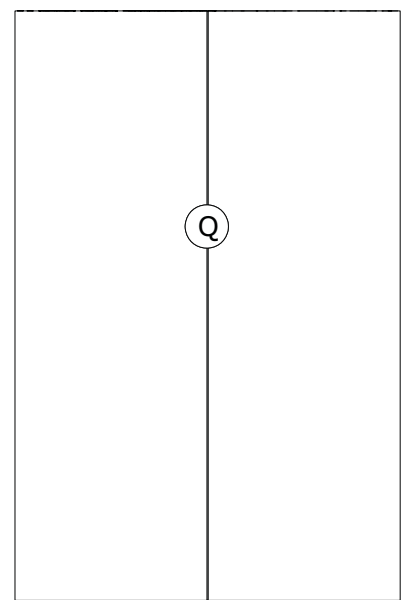
H15
x32



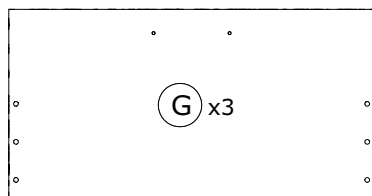
FI7835
996x252x16mm



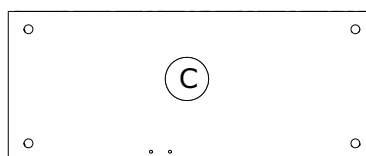
FI7834
996x252x16mm



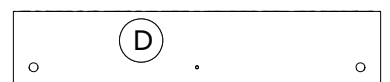
SH1927
992x648x3mm



RI0383
615x317x16mm

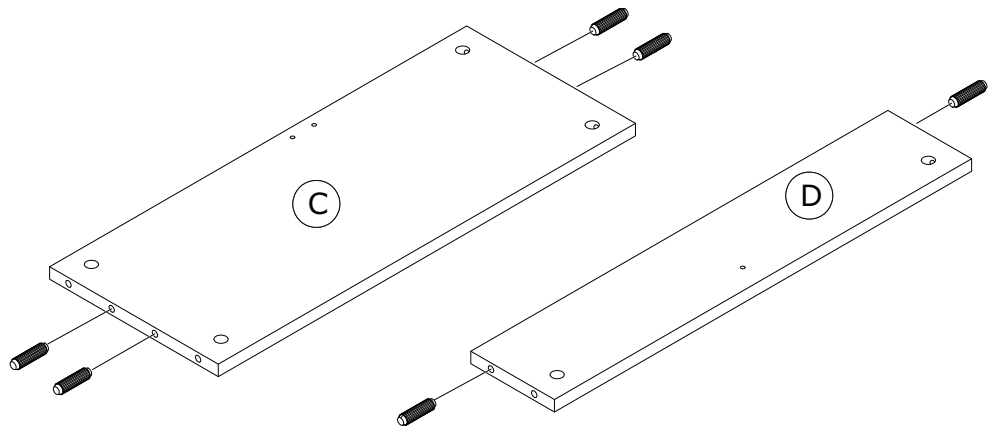
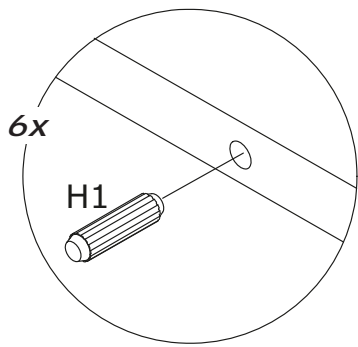


PI6734
618x250x16mm

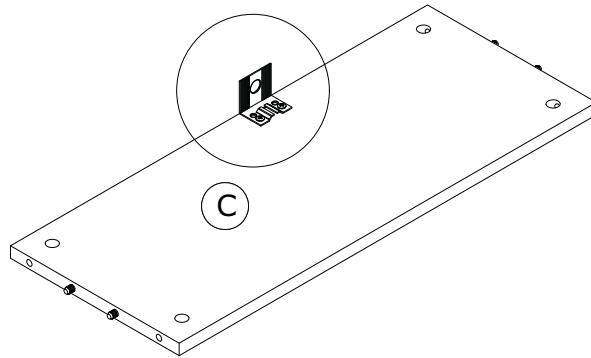
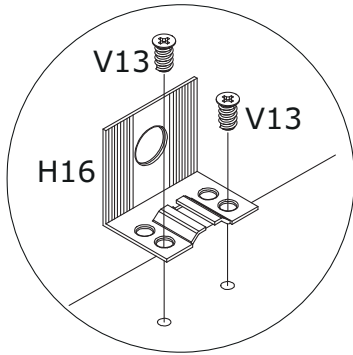


BA1958
618x124x16mm

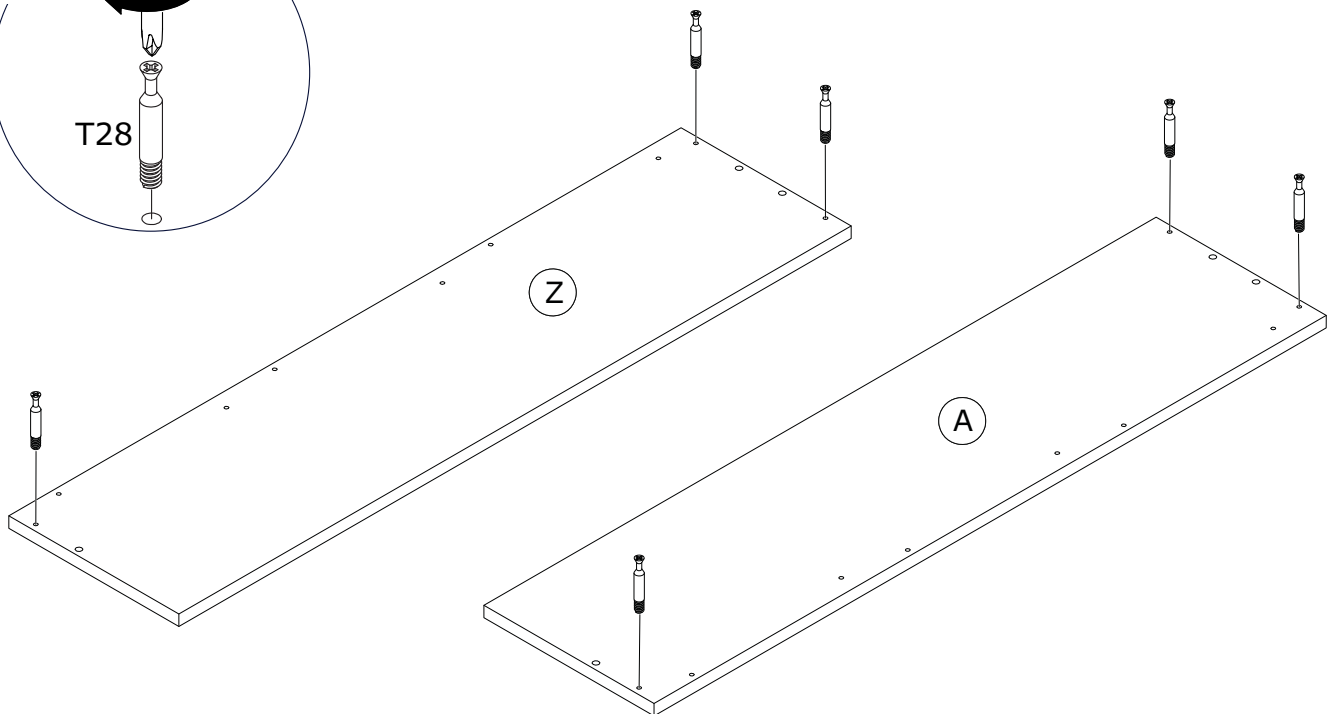
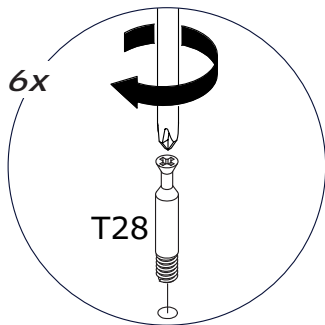
1



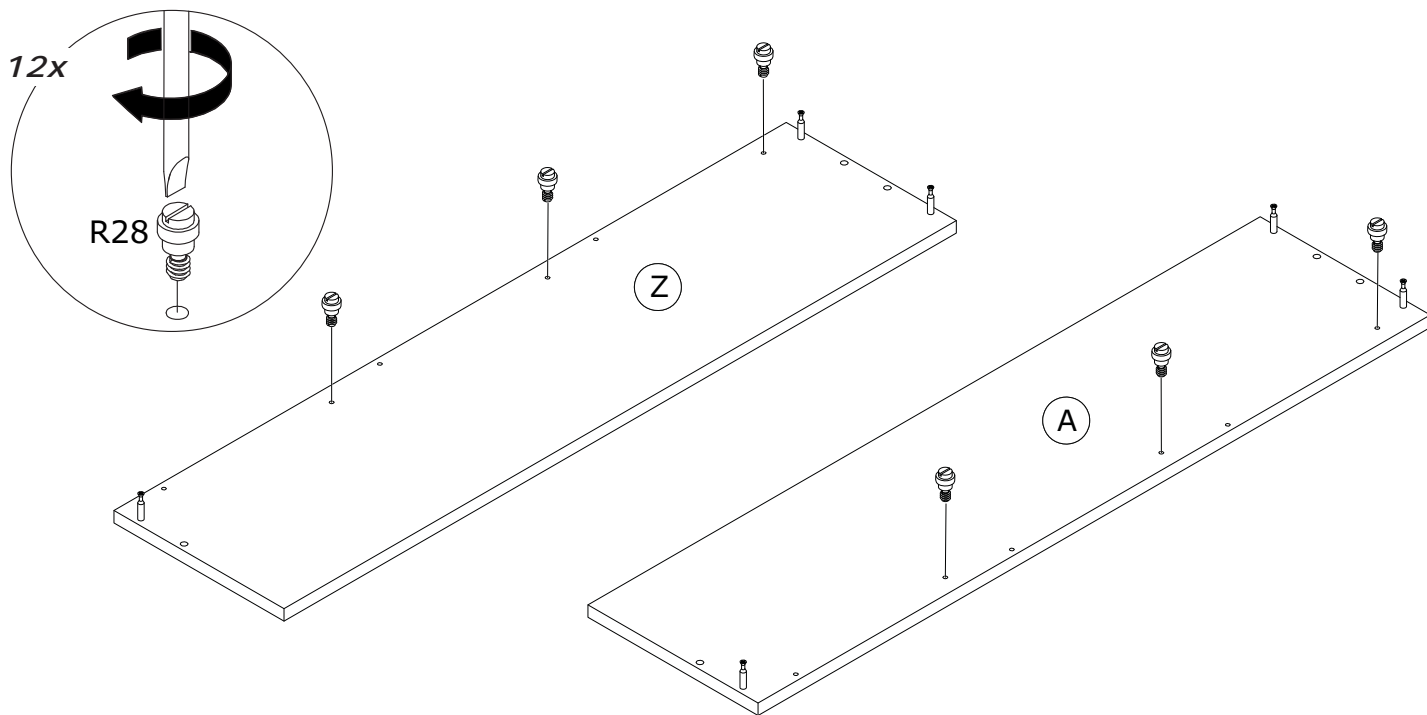
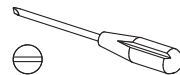
2



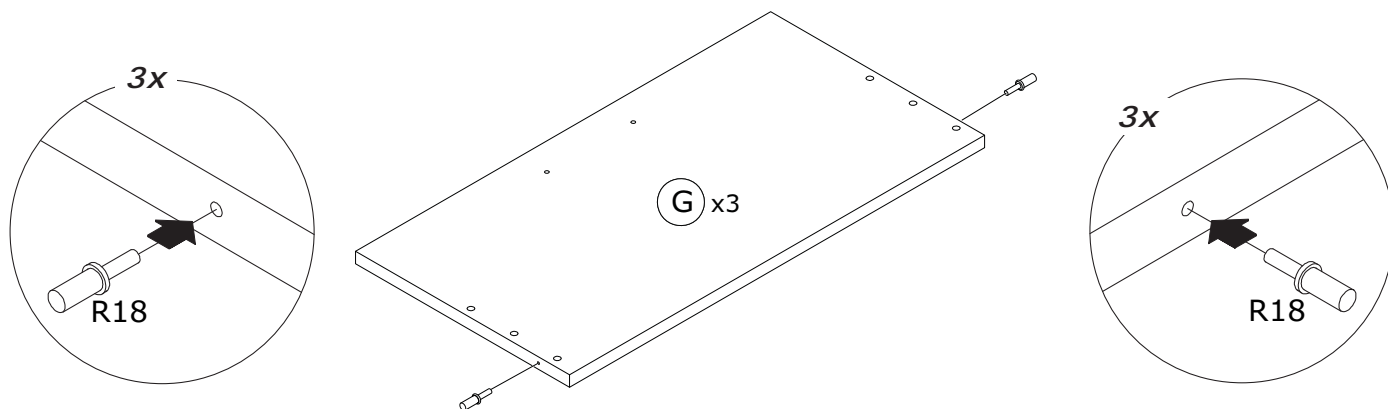
3



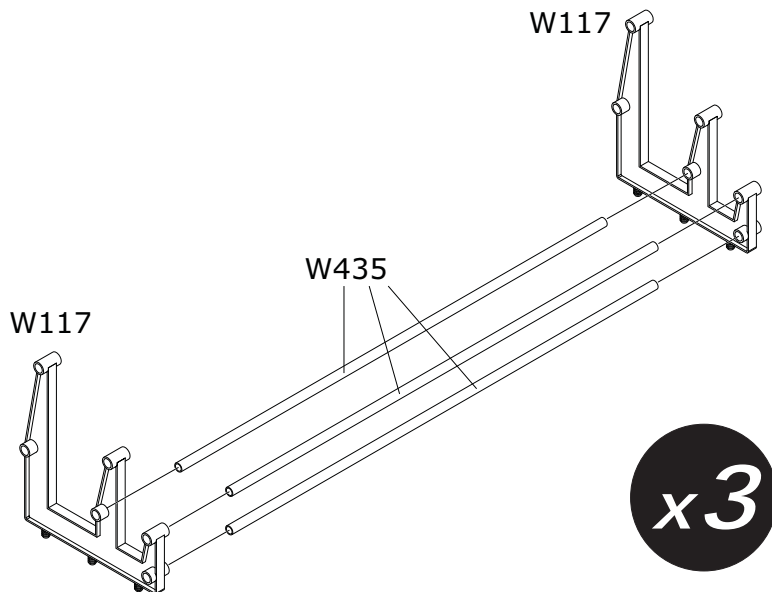
4



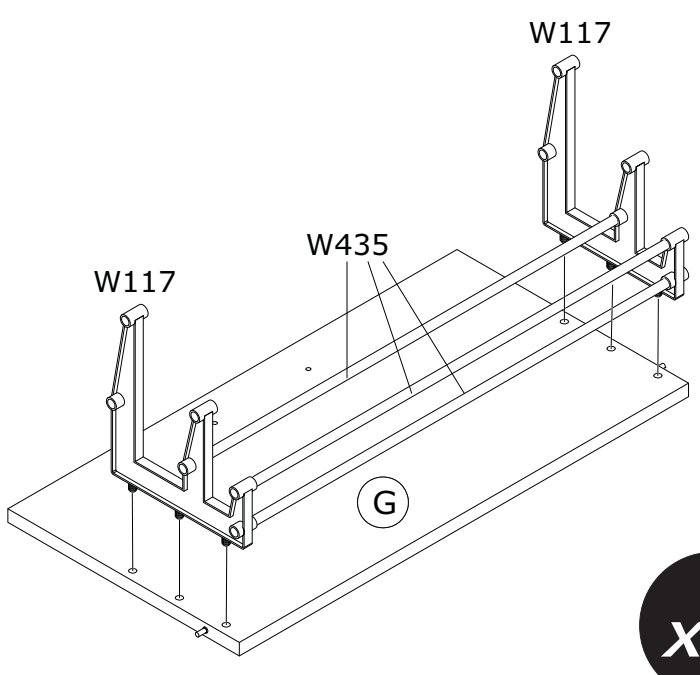
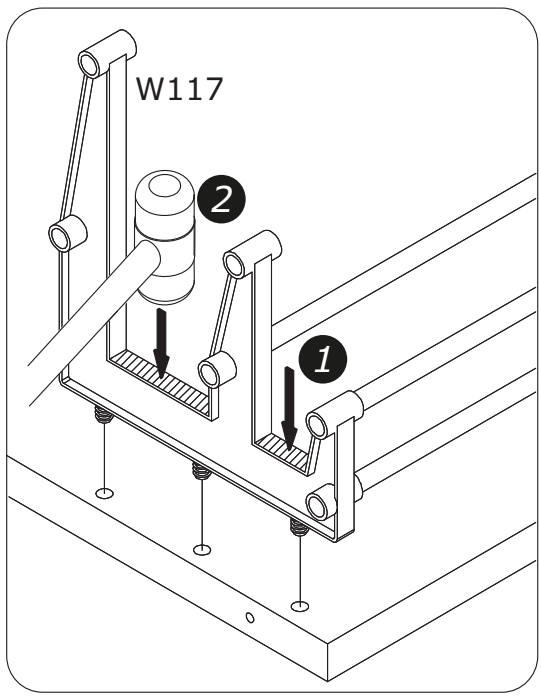
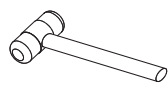
5



6

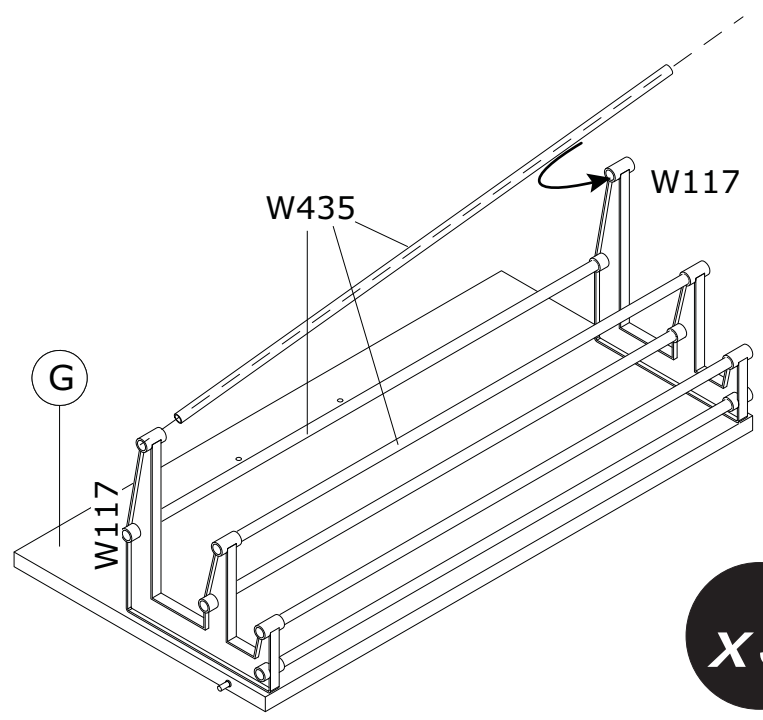


7



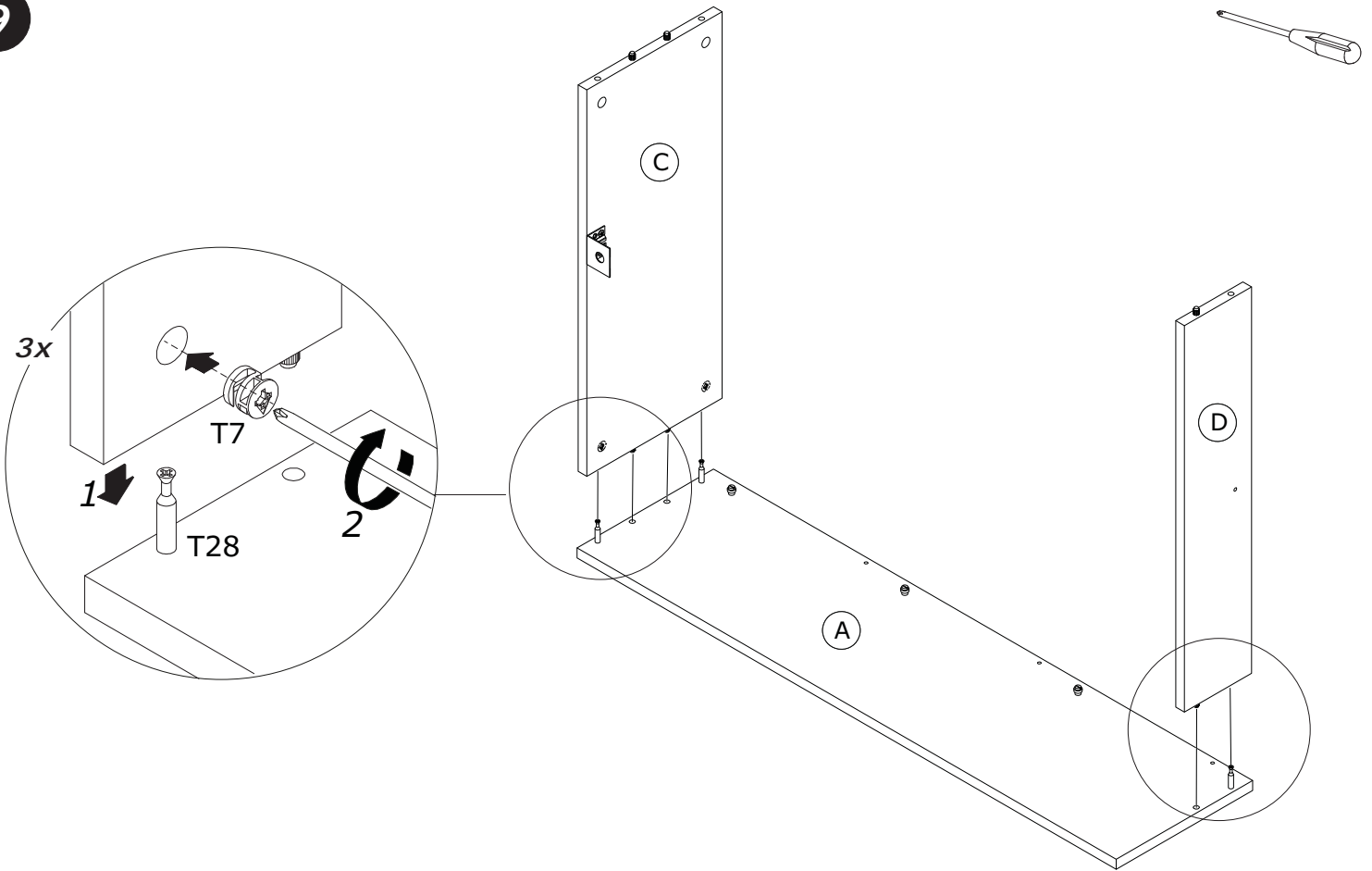
x3

8

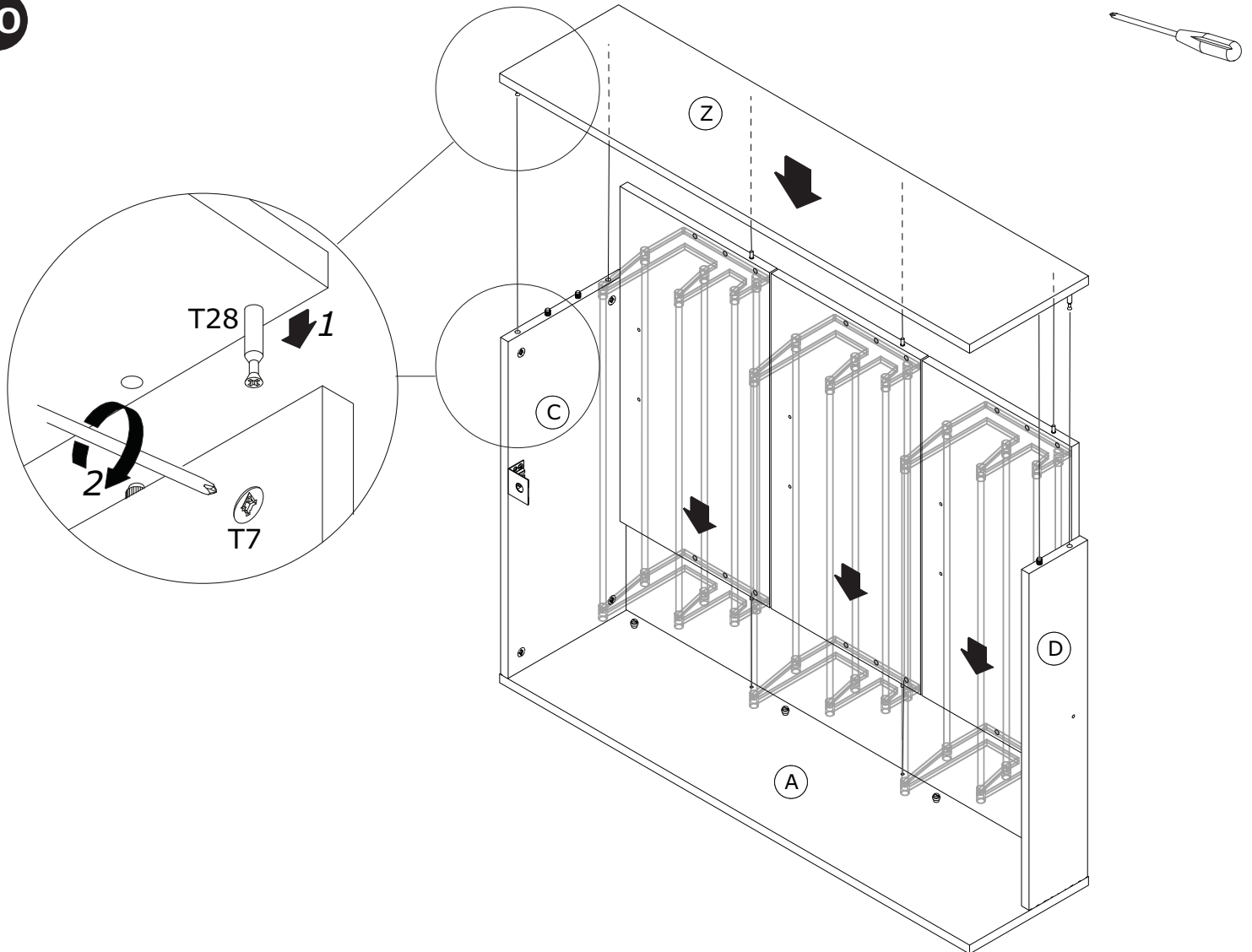


x3

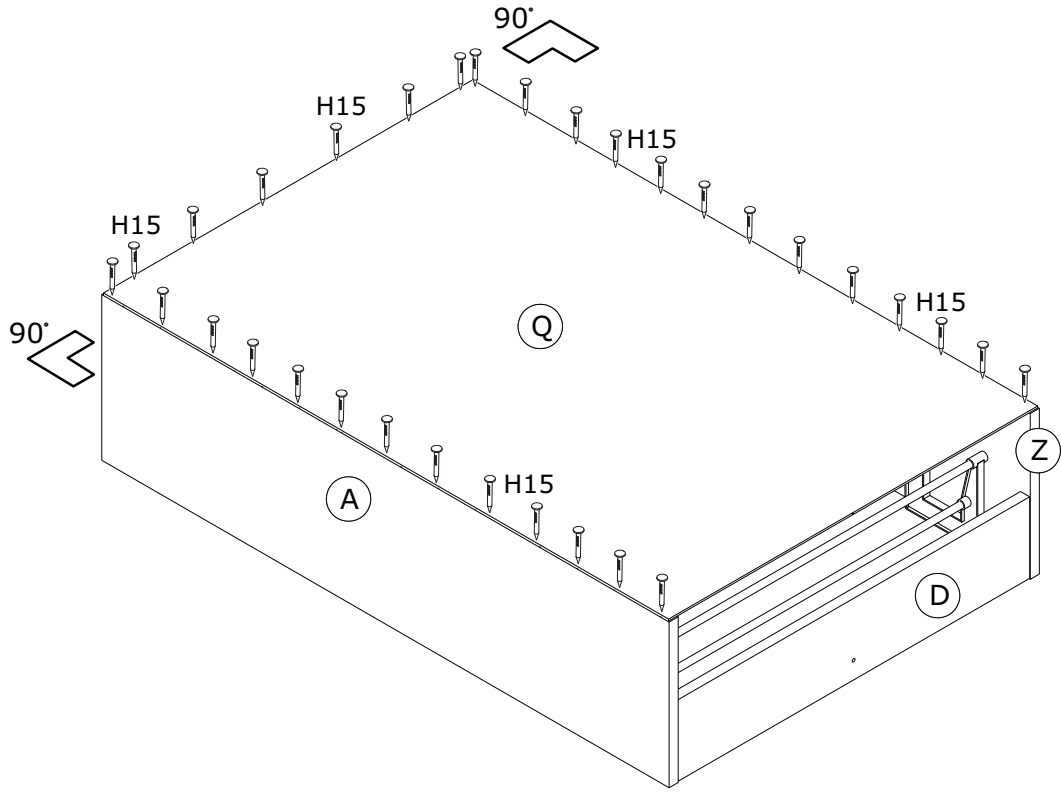
9



10



11



12

