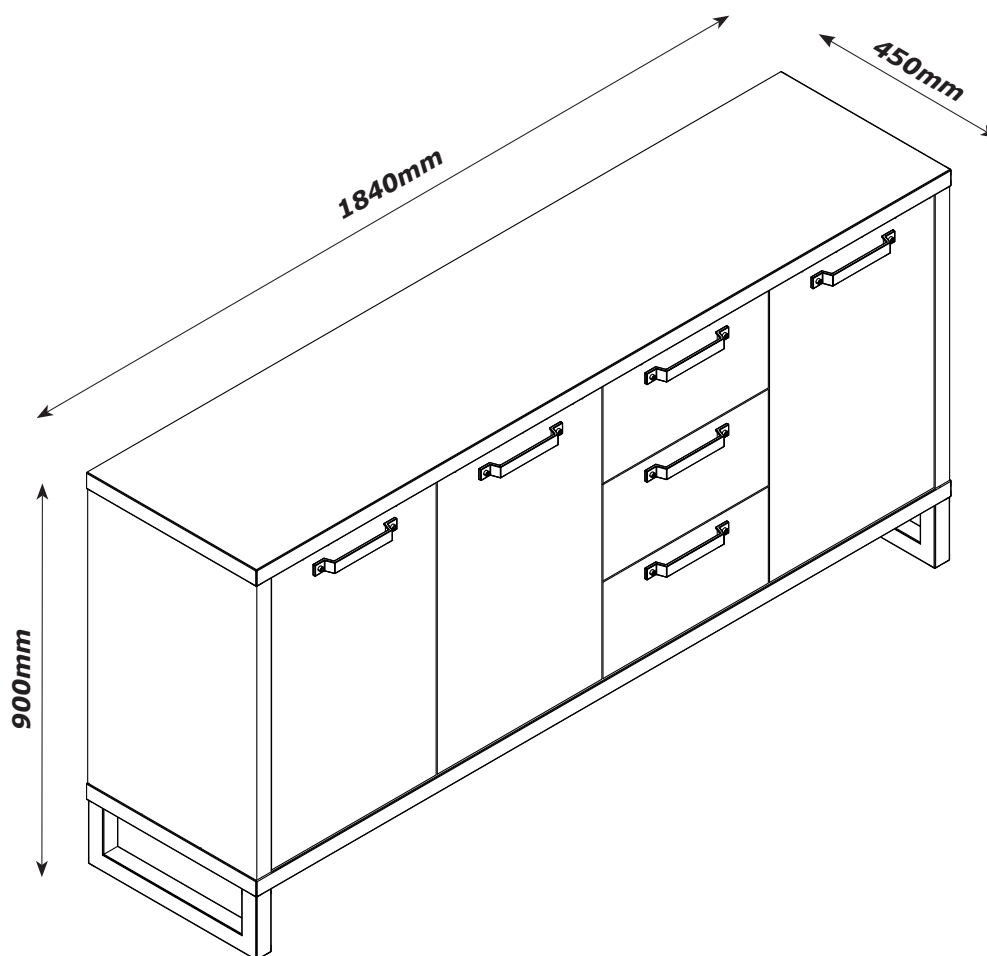
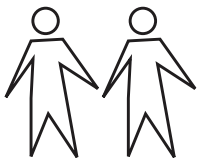


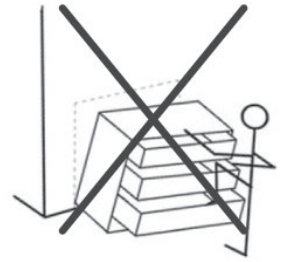
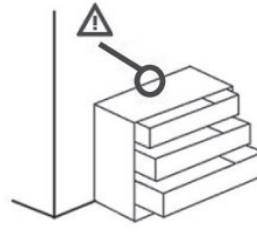
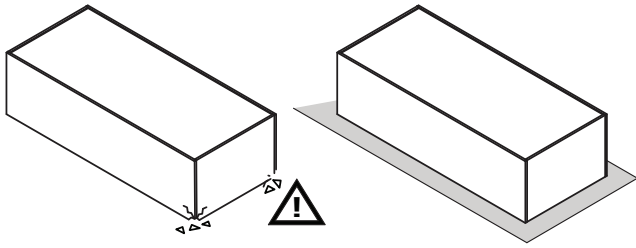
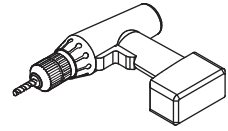
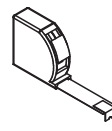
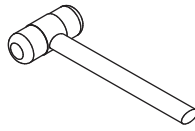
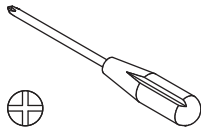
BS4763K67205



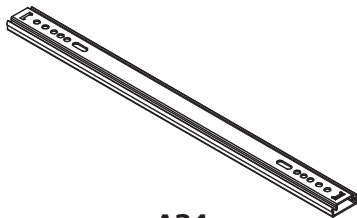
QF5342



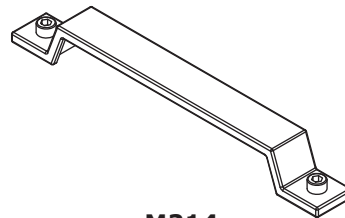
2h



BU4436

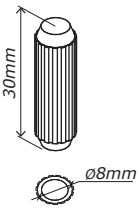


A34
x6



M214
x6

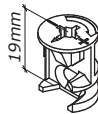
BU4437



H1
x16



T28
x24



T97
x8



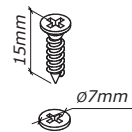
T98
x12



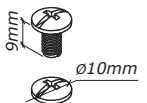
T99
x4



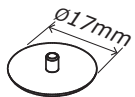
H54
x12



V5
x12



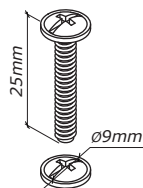
V38
x6



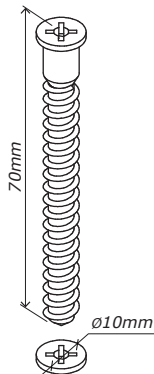
G136
x12



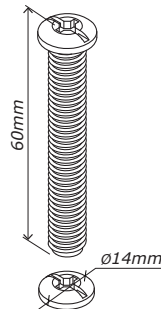
G156
x8



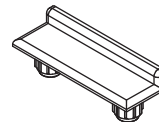
V137
x12



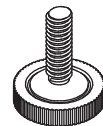
V115
x5



V152
x4



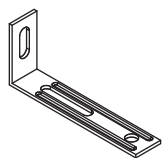
H114
x1



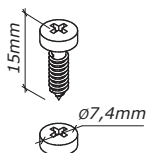
P14
x4



H113
x7



H185
x1



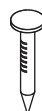
V81
x2



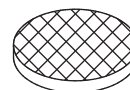
H129
x2



R40
x16



H15
x44

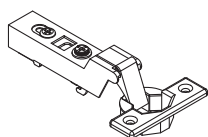


H139
x1

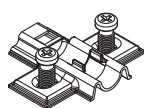


G190
x6

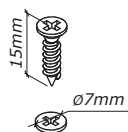
BU3471 (x2)



C77
x2

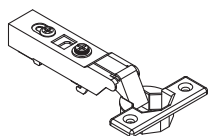


B28
x2

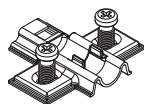


V5
x4

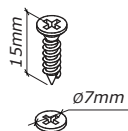
BU2166



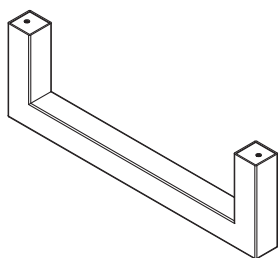
C63
x2



B28
x2



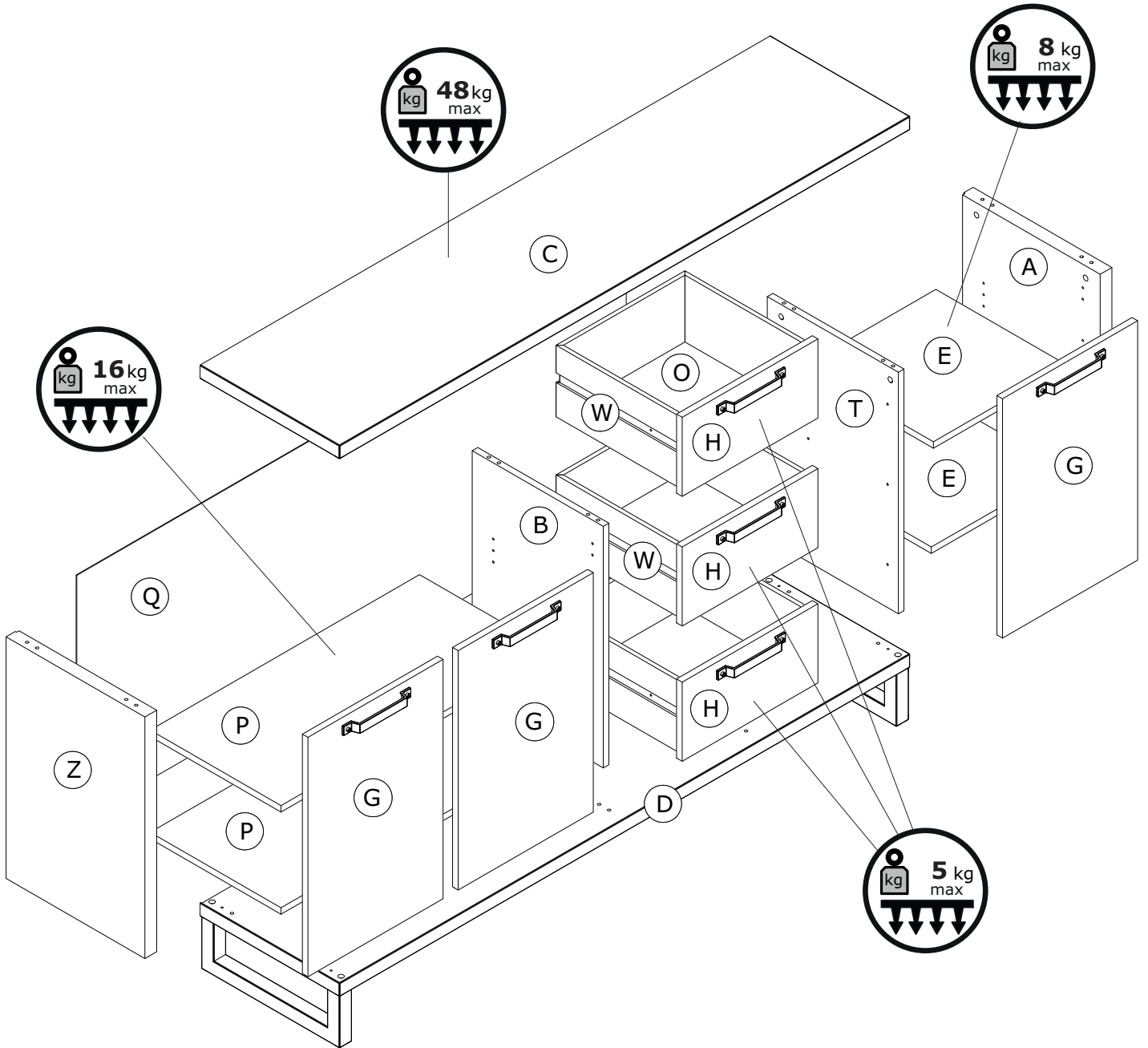
V5
x4

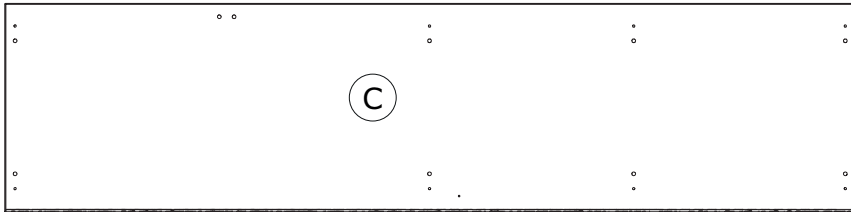


P71
x2

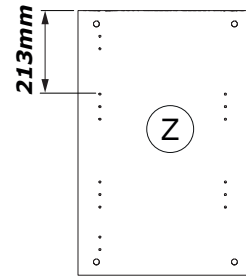


W577
x1

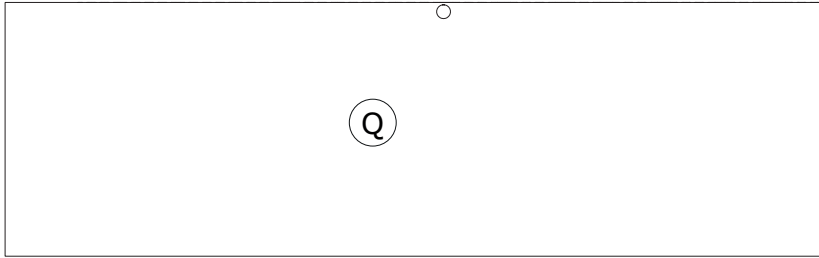




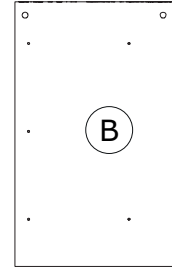
CA3548
1841x450x38mm



FI8625
675x448x38mm

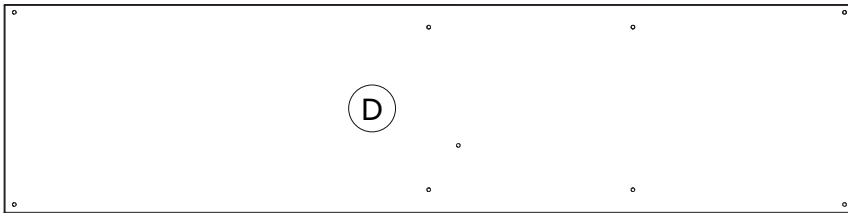


SS0738
1773x689x2mm

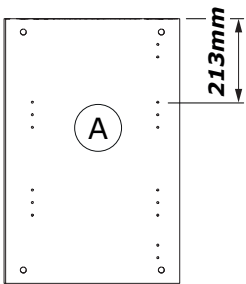


TR2208
675x423x18mm

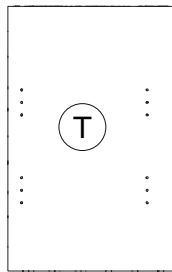
BOX 1/3



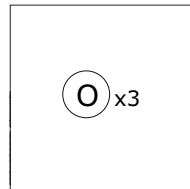
BA2165
1841x450x38mm



FI8626
675x448x38mm

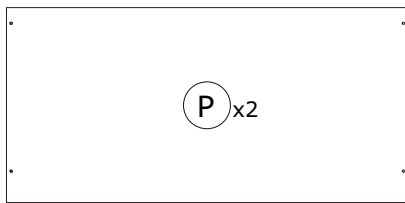


TR2209
675x423x18mm

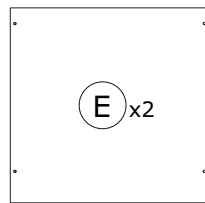


SH3310
403x401x2mm

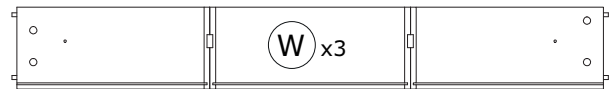
BOX 2/3



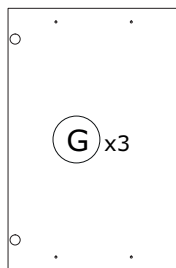
PI7102
869x422x18mm



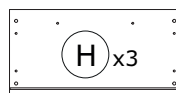
PI7103
430x422x18mm



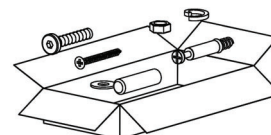
OF0548
400x416x400mm H.200mm



AN2969
669x436x18mm

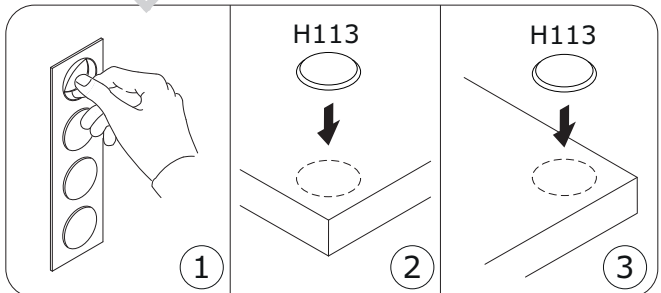
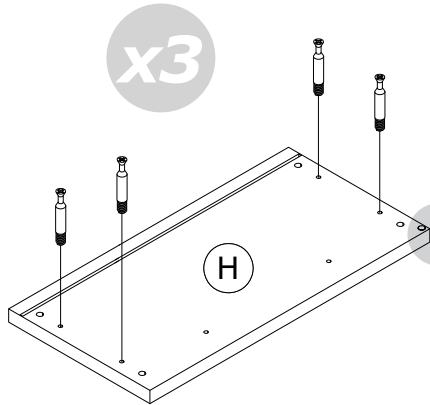
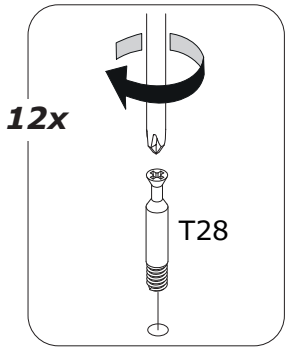
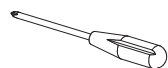


CS3474
438x221x18mm

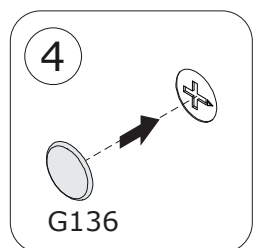
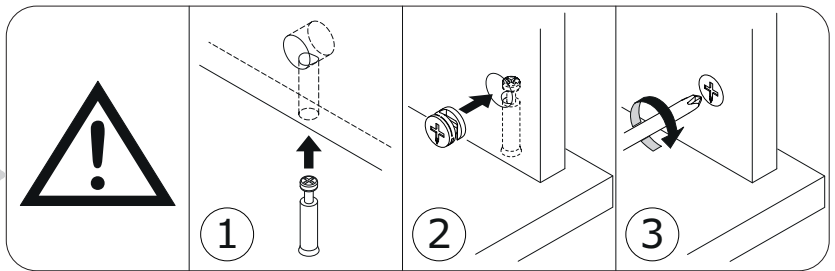
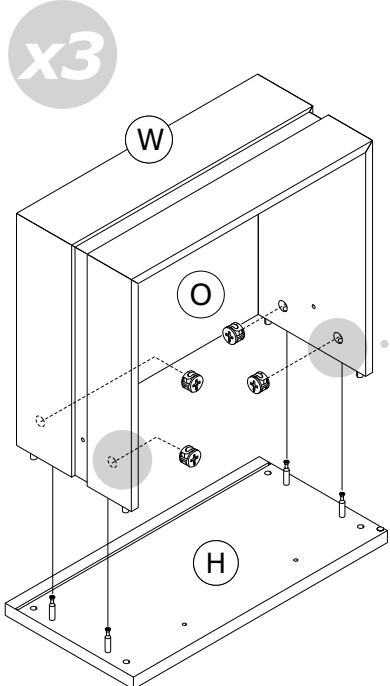
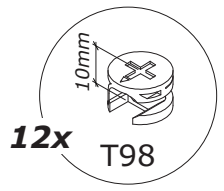
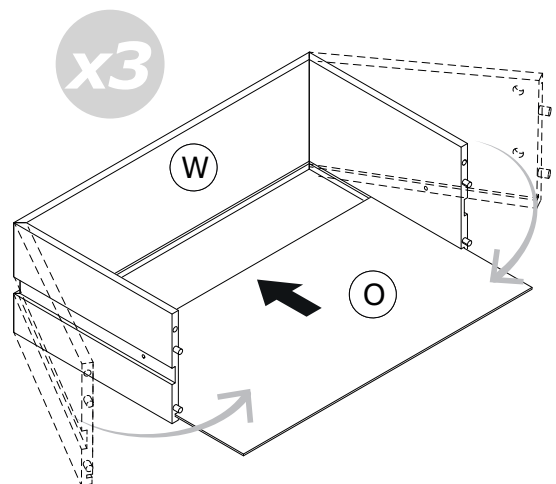
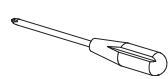


BOX 3/3

1

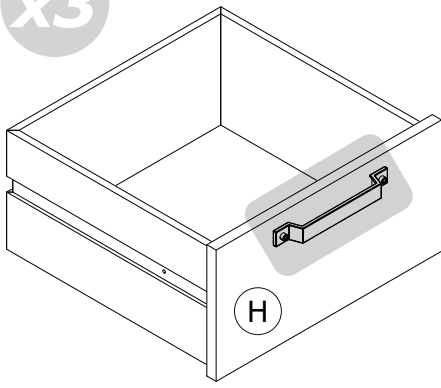


2

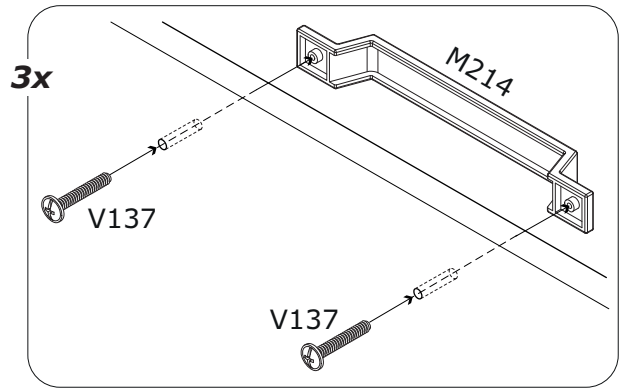


3

x3

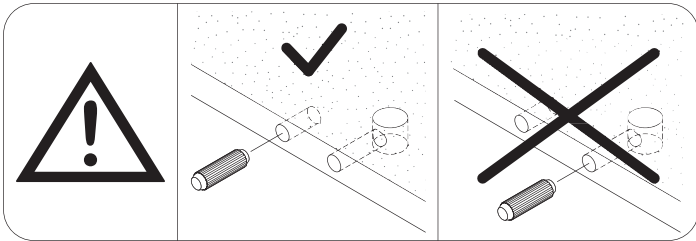
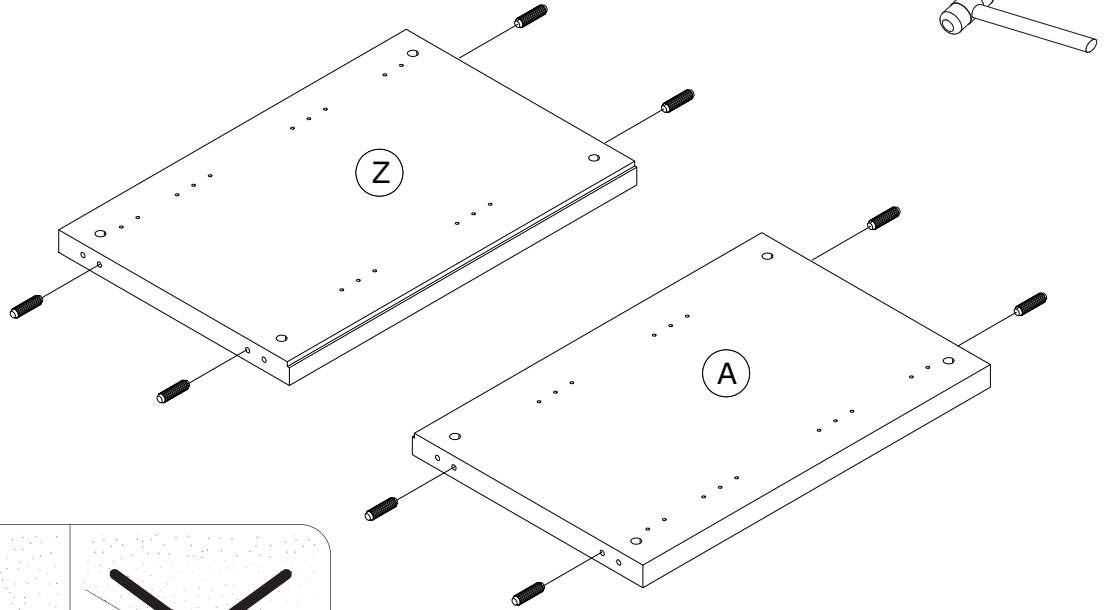
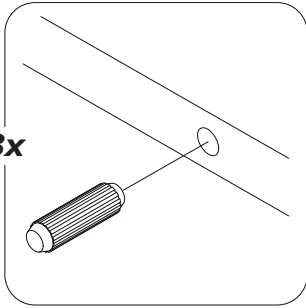


3x



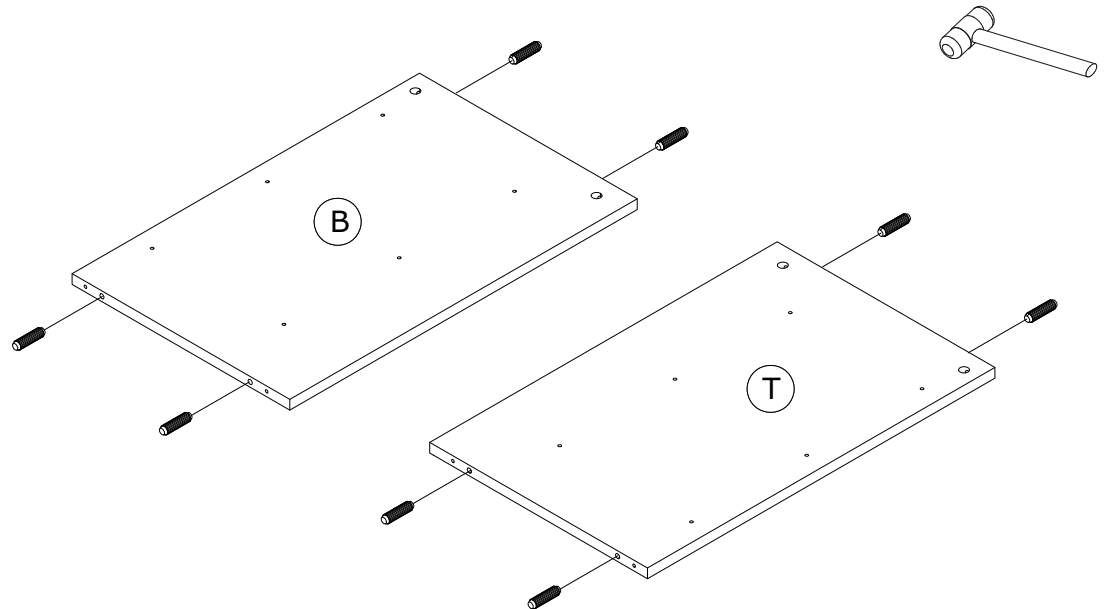
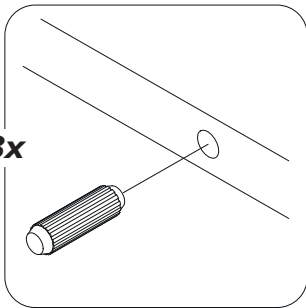
4

8x



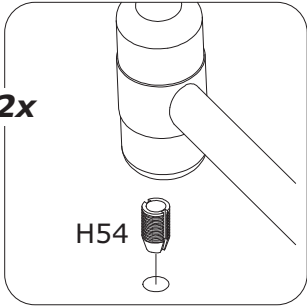
5

8x

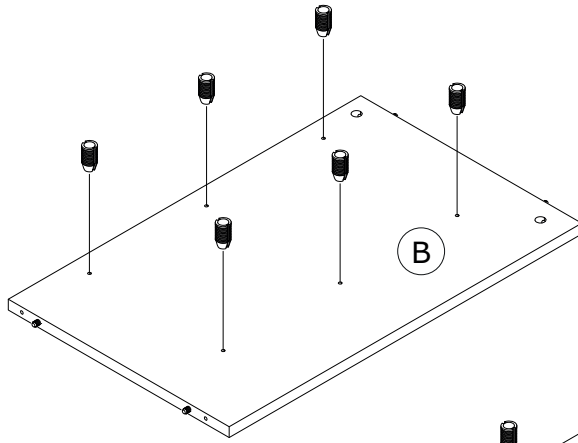


6

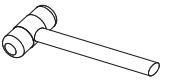
12x



H54

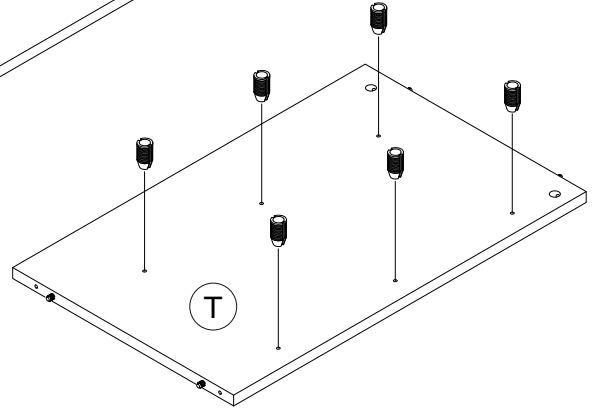
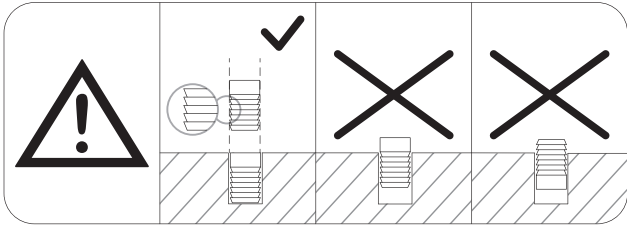
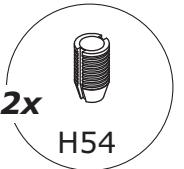


B



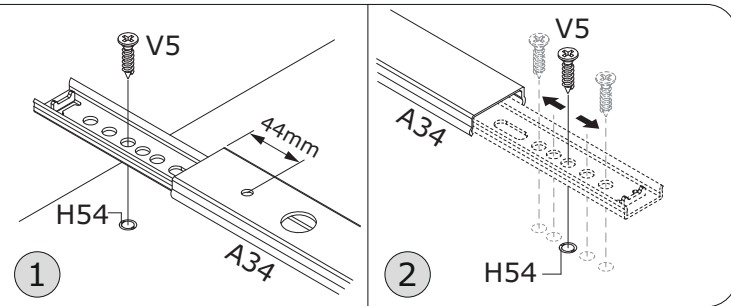
12x

H54



T

7

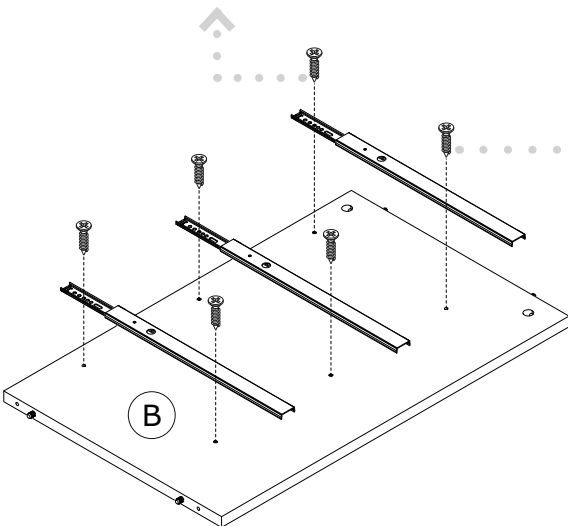
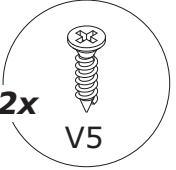


1

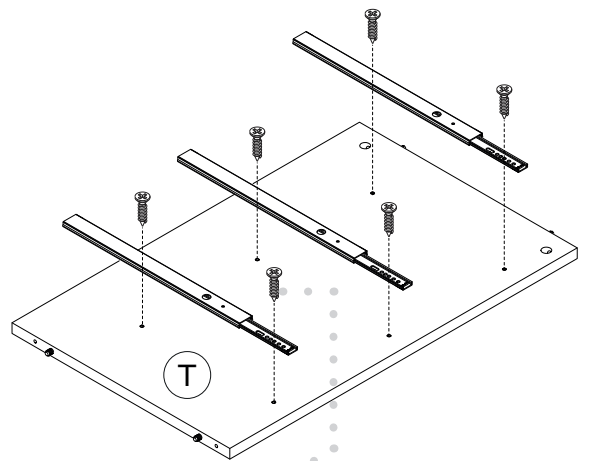
2

12x

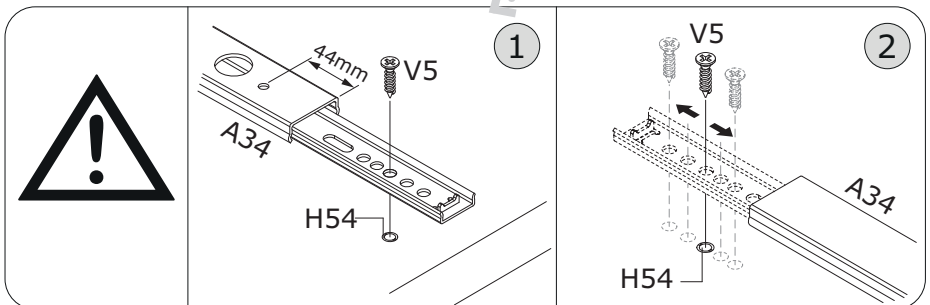
V5



B

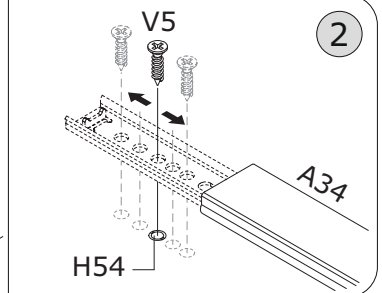
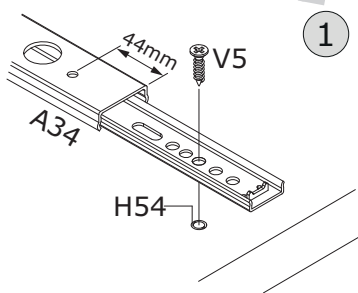


T

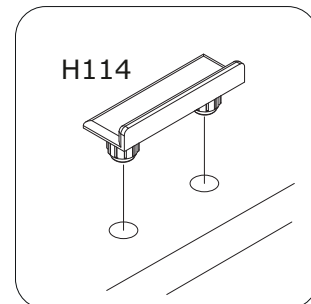
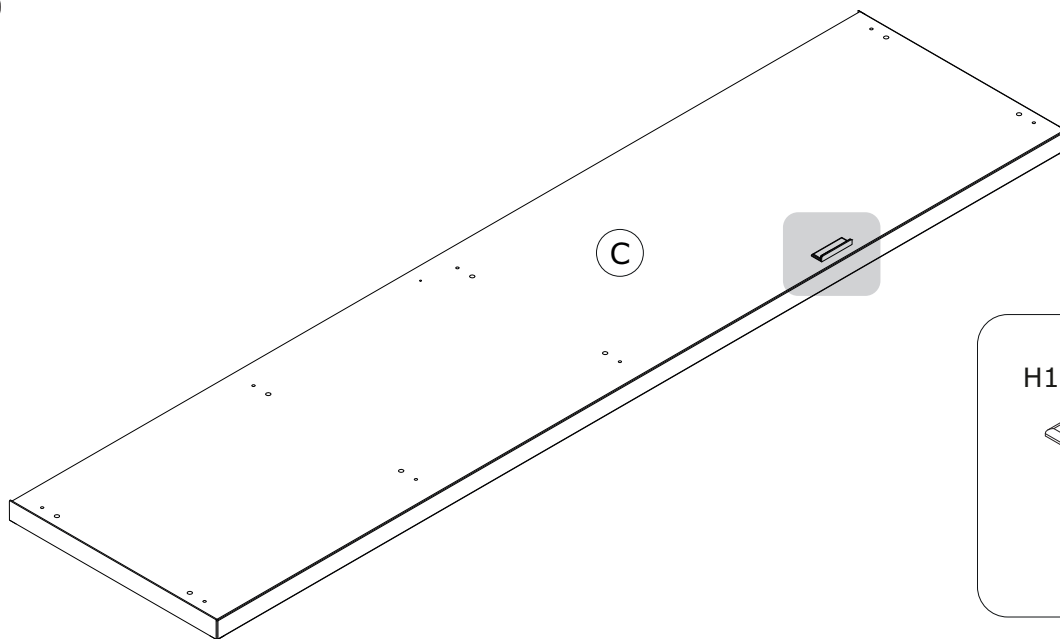


1

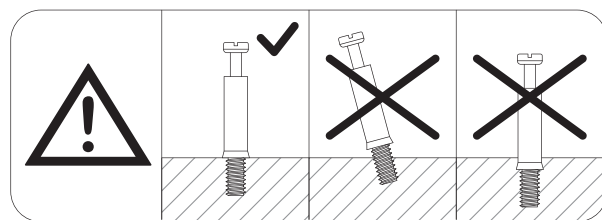
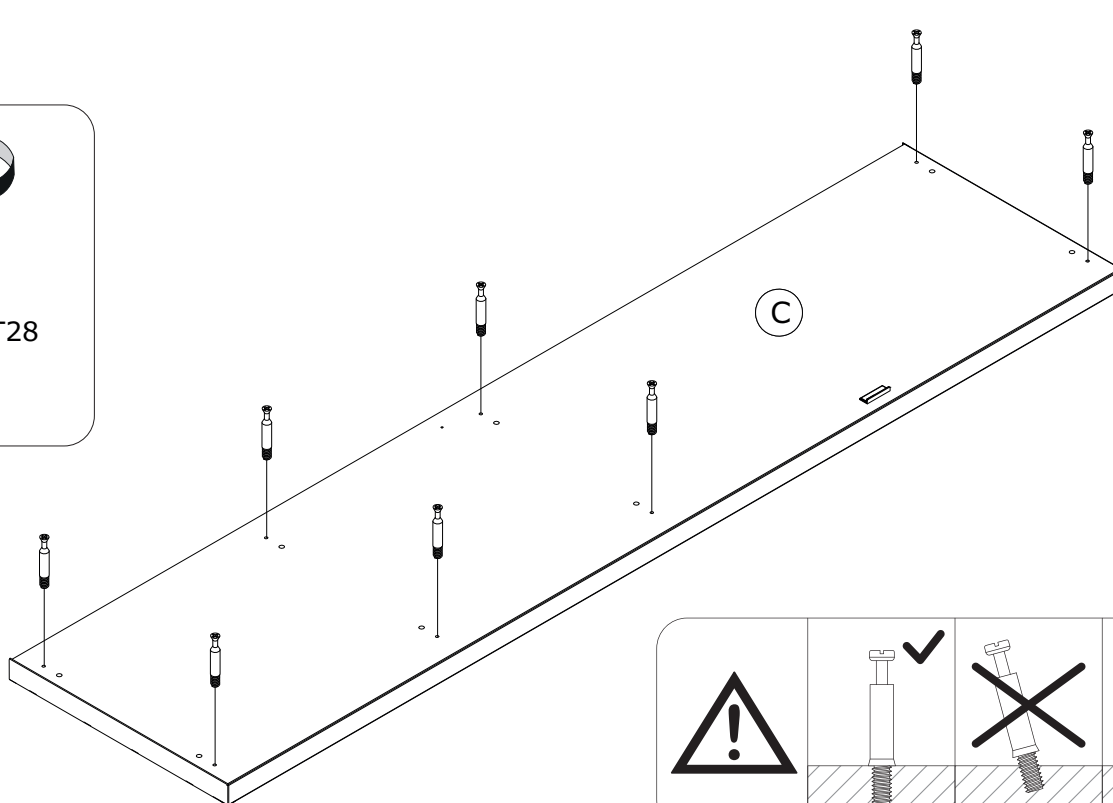
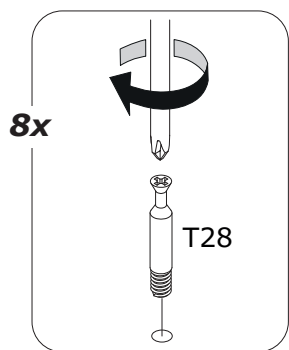
2



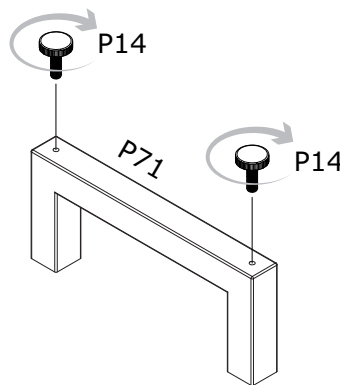
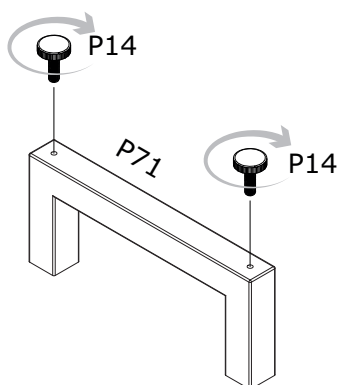
8



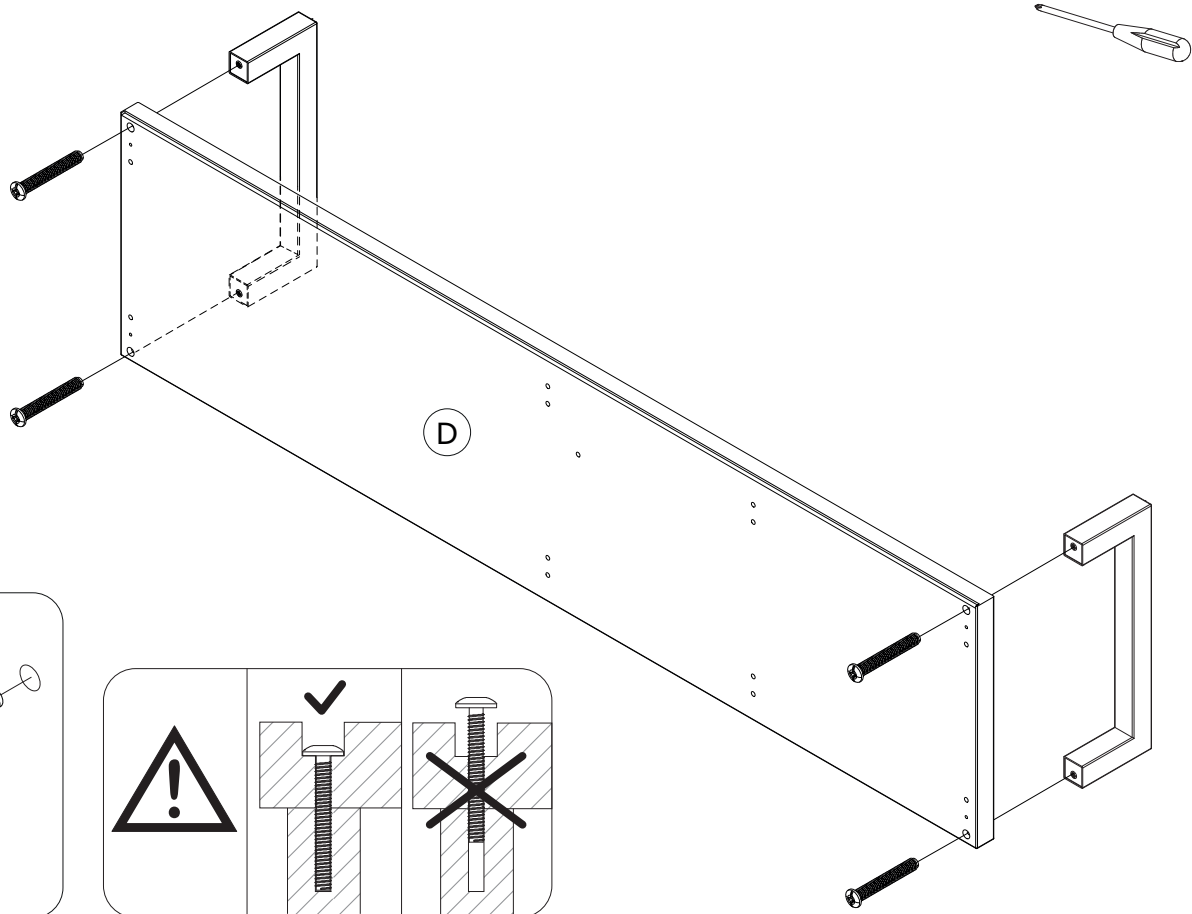
9



10

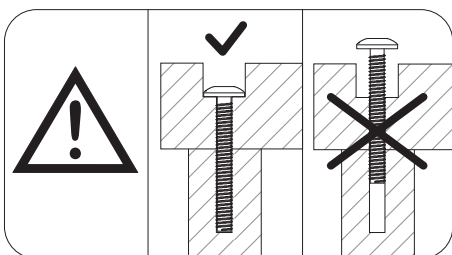
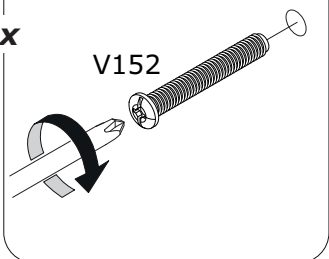


11

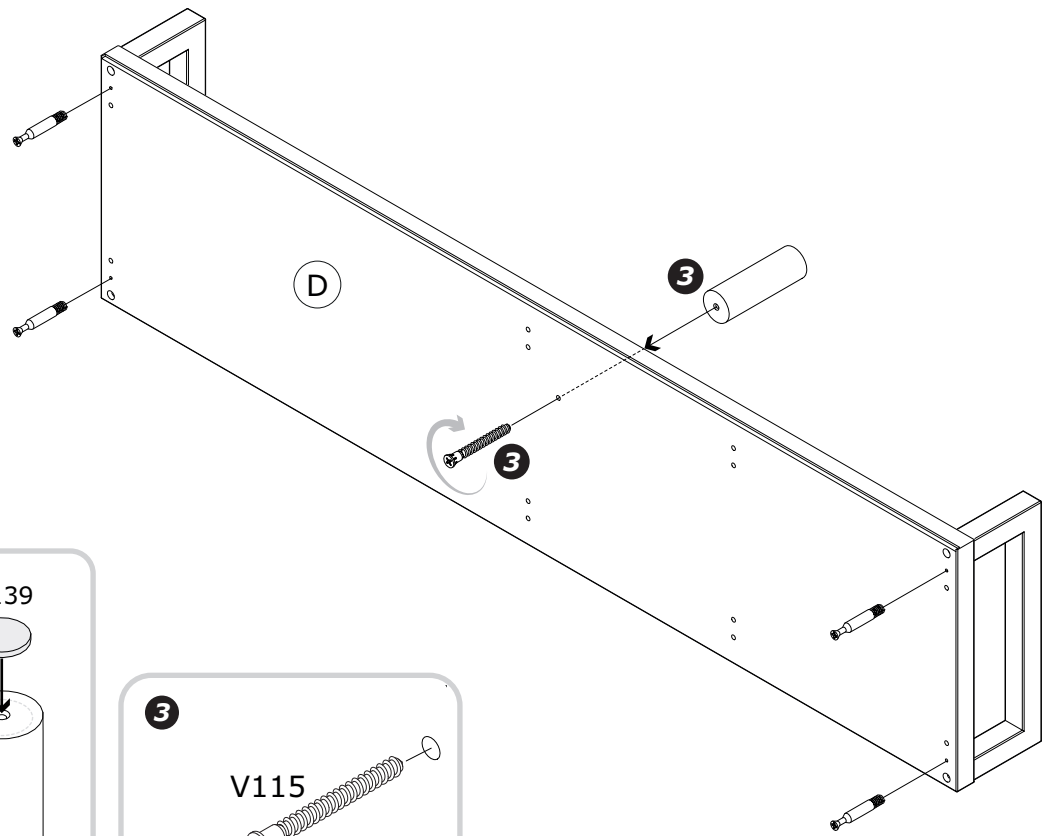


4x

V152

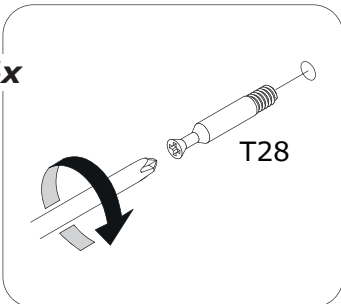


12

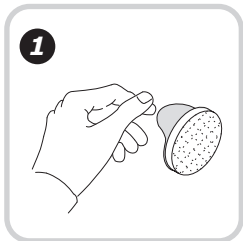


4x

T28



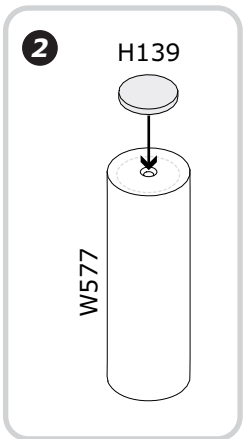
1



2

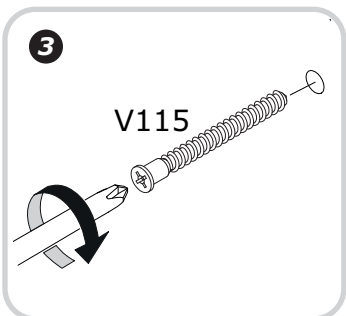
H139

W577

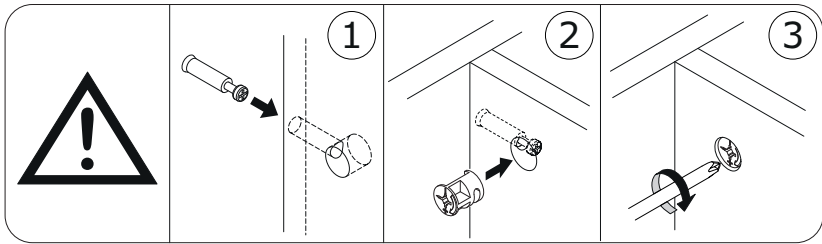
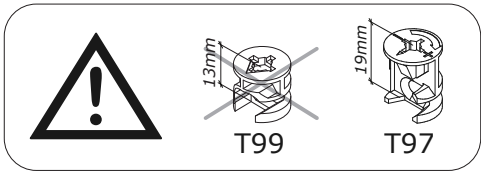
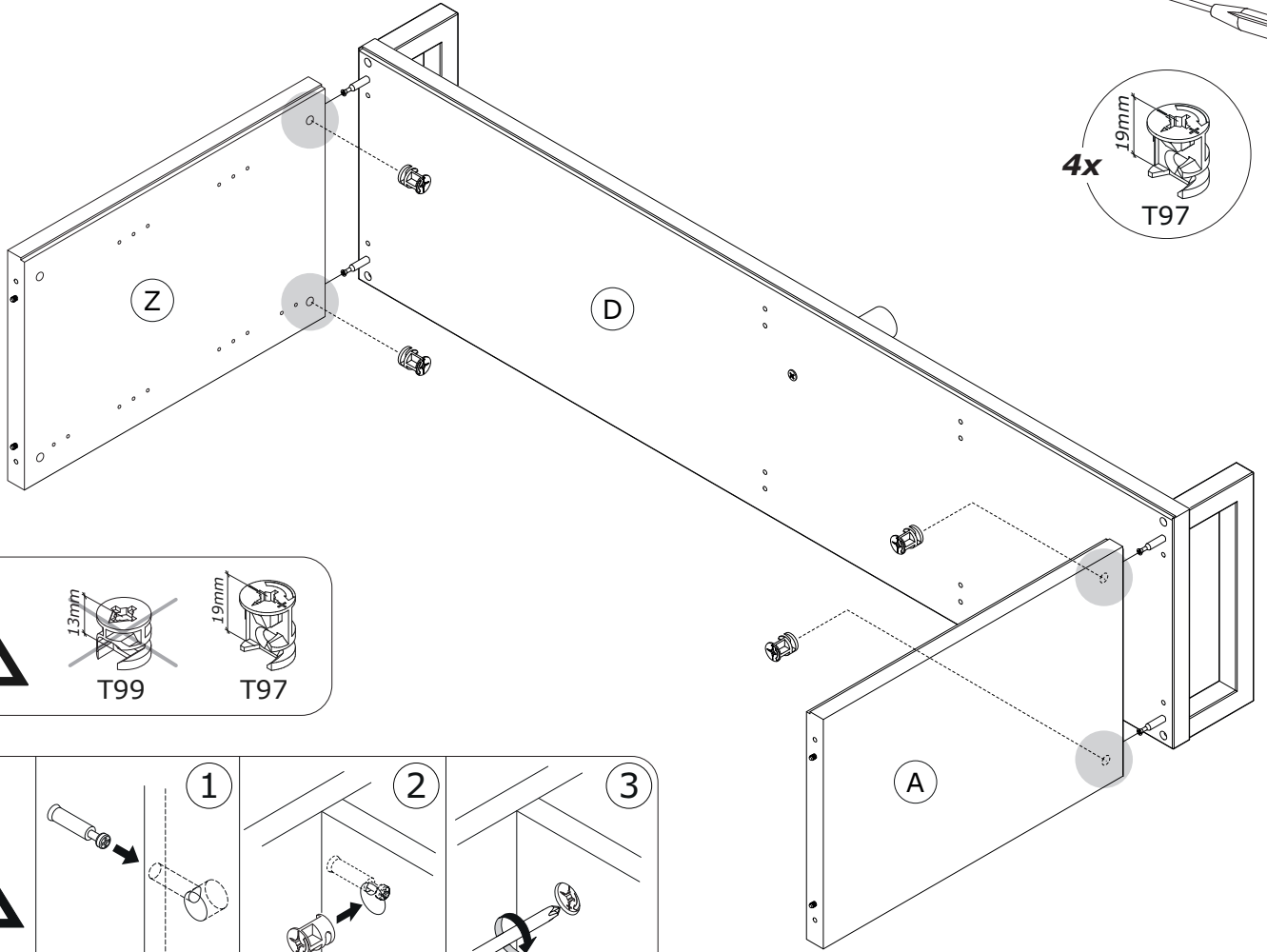
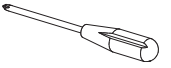


3

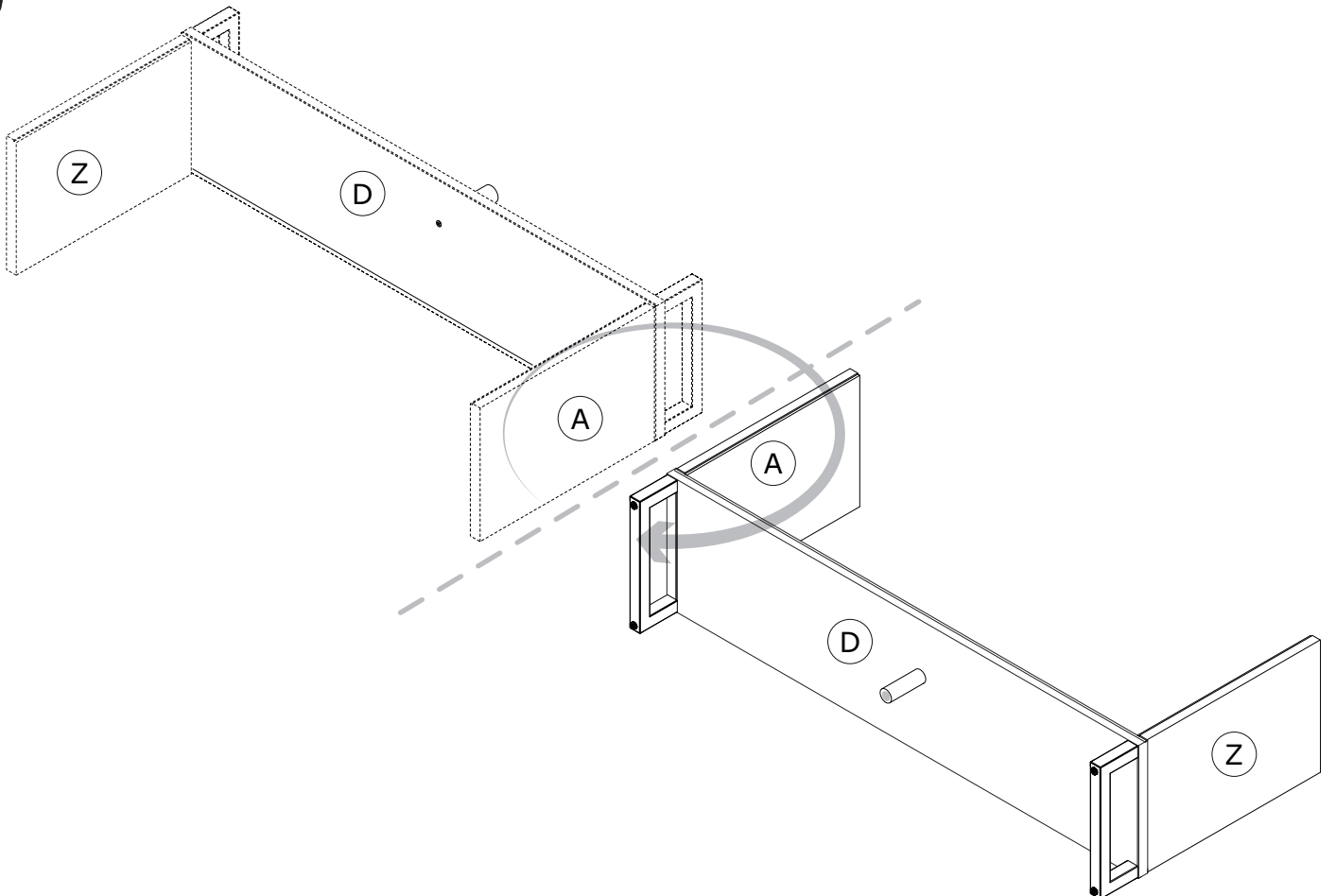
V115



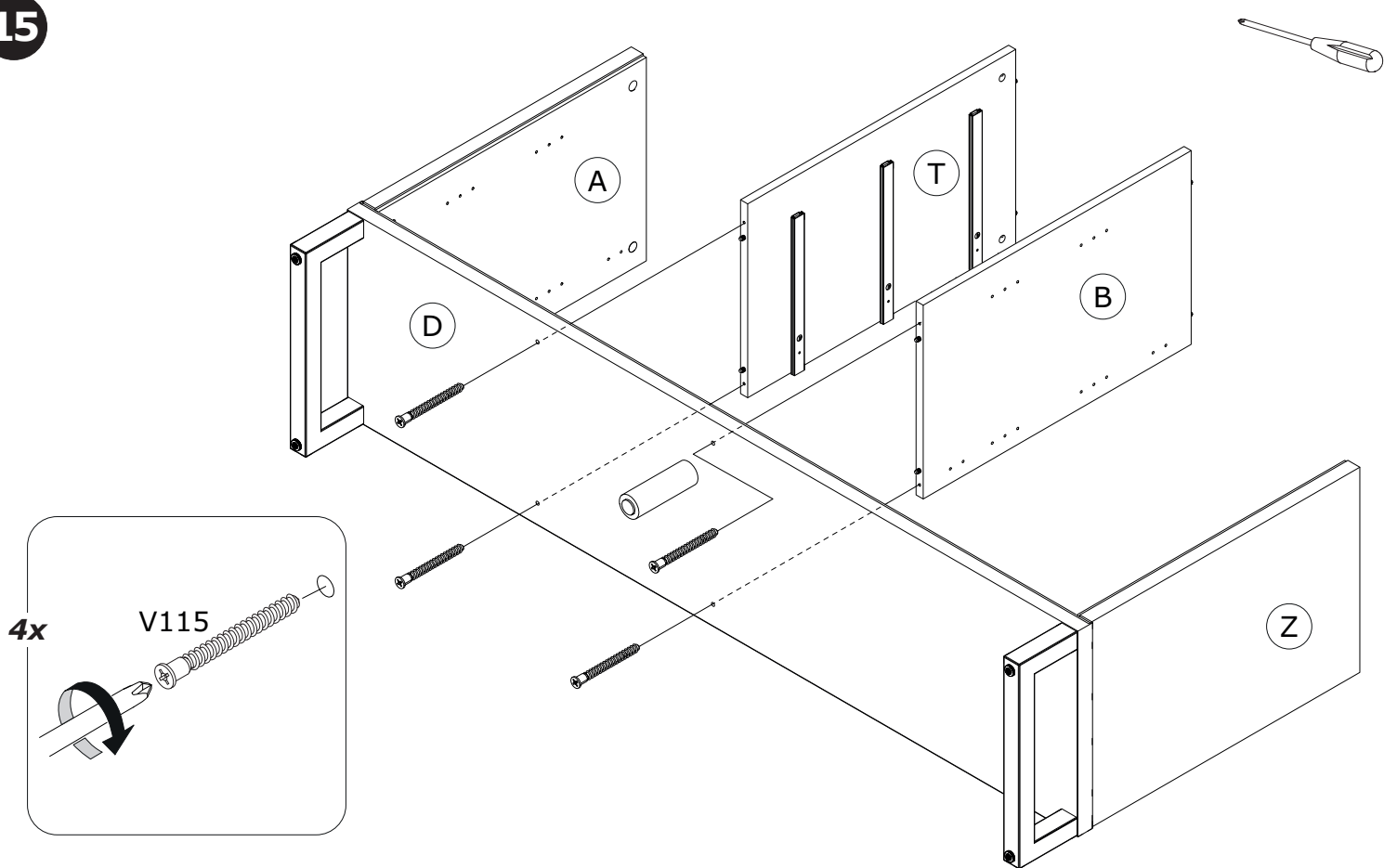
13



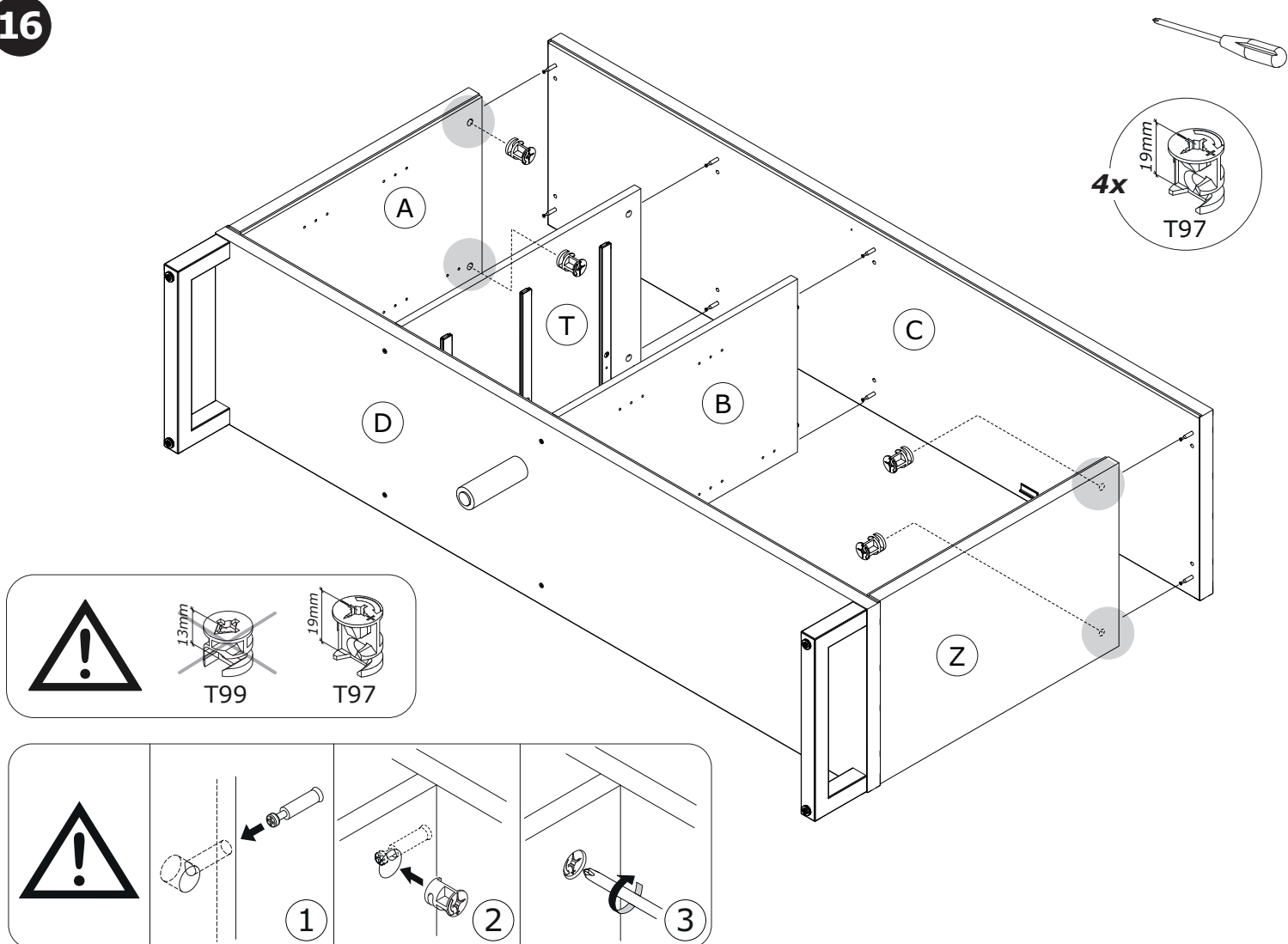
14

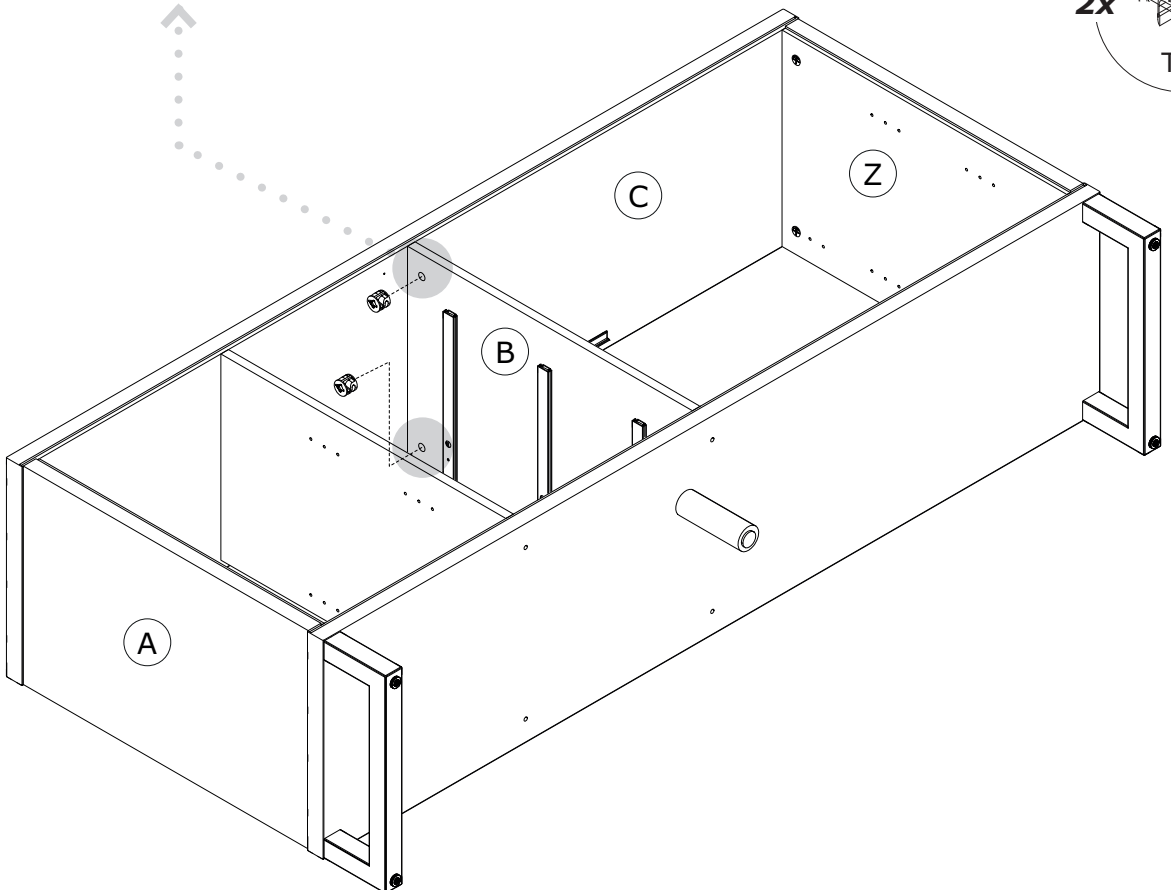
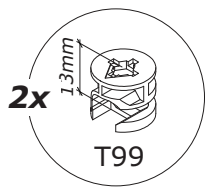
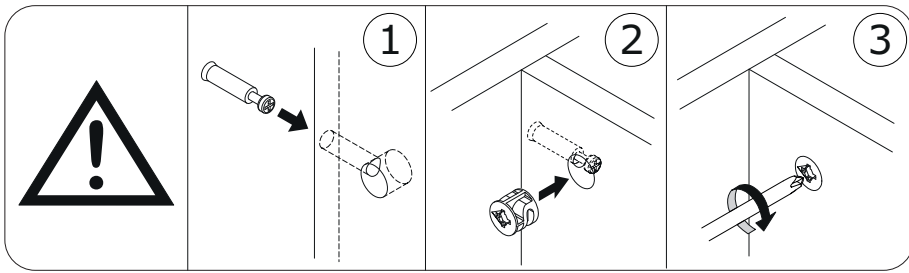
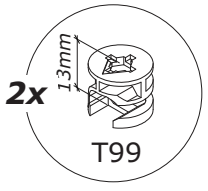
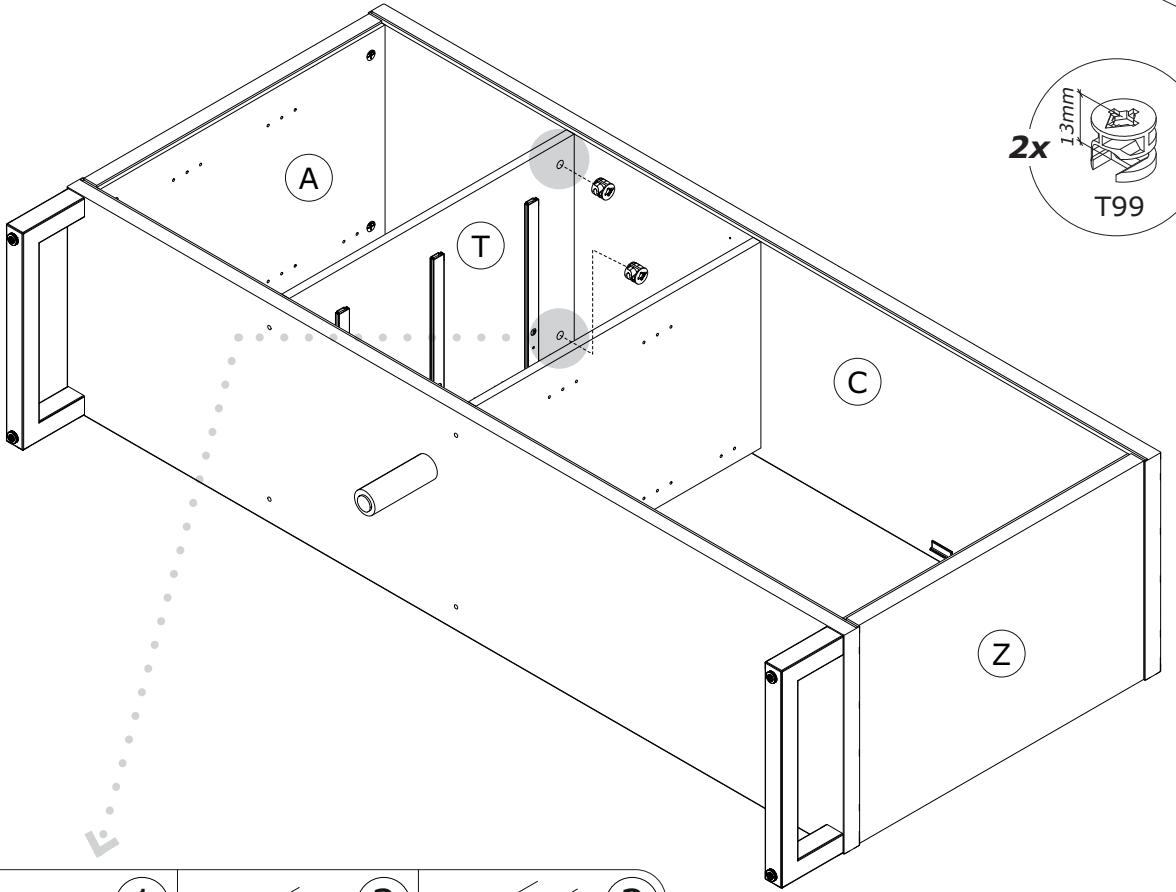
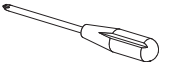


15

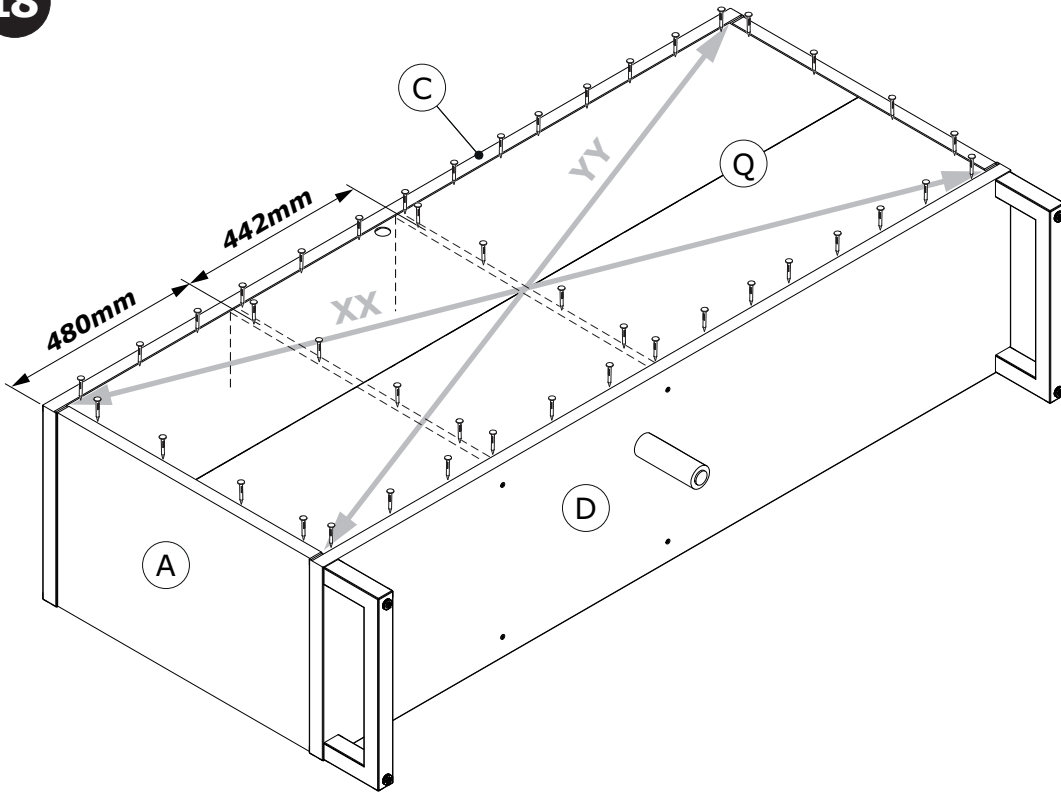


16



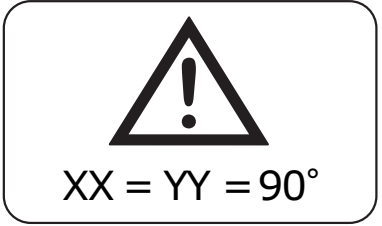


18

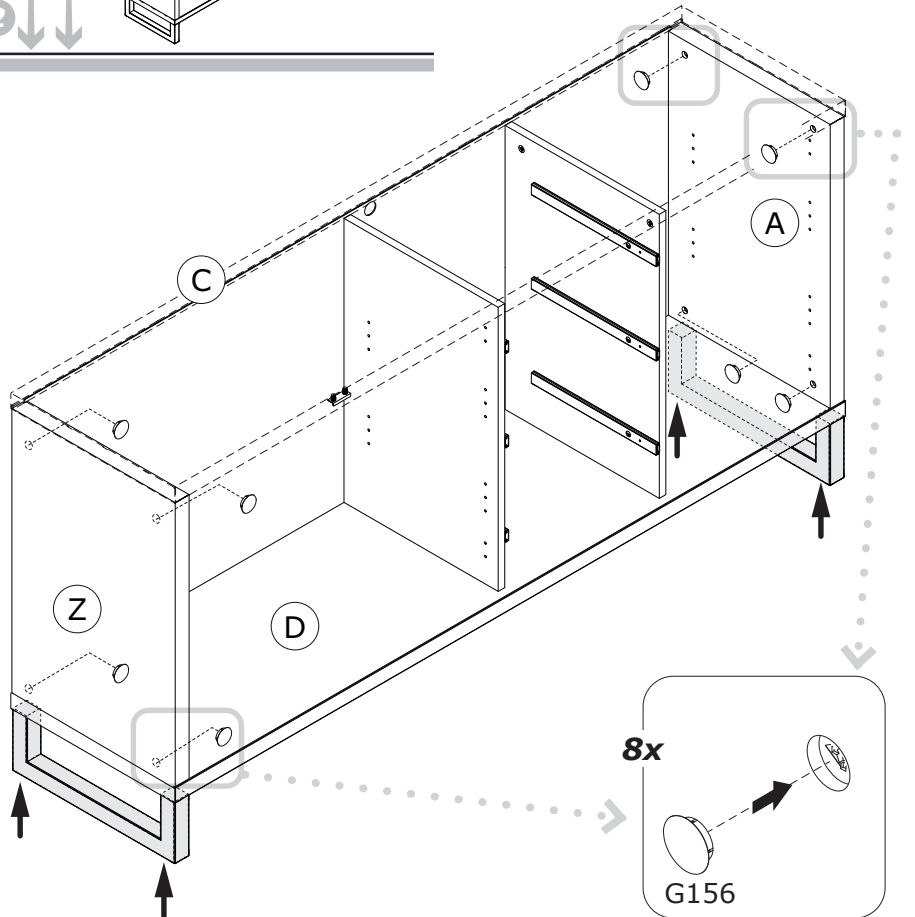
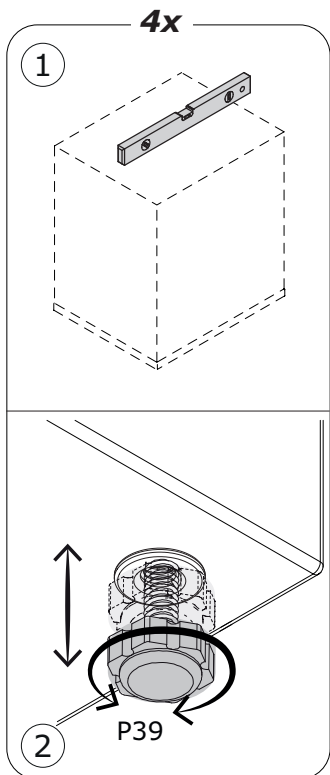
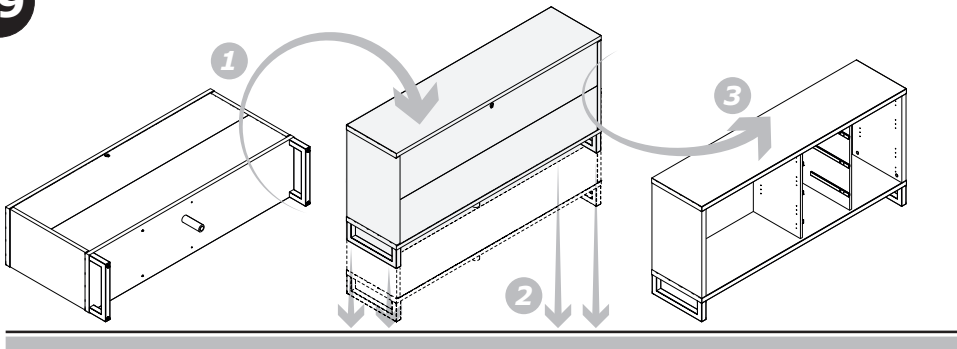


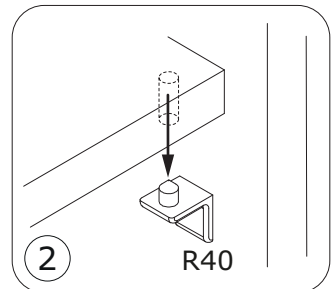
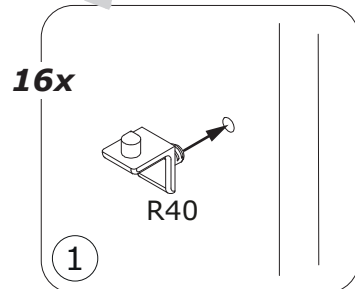
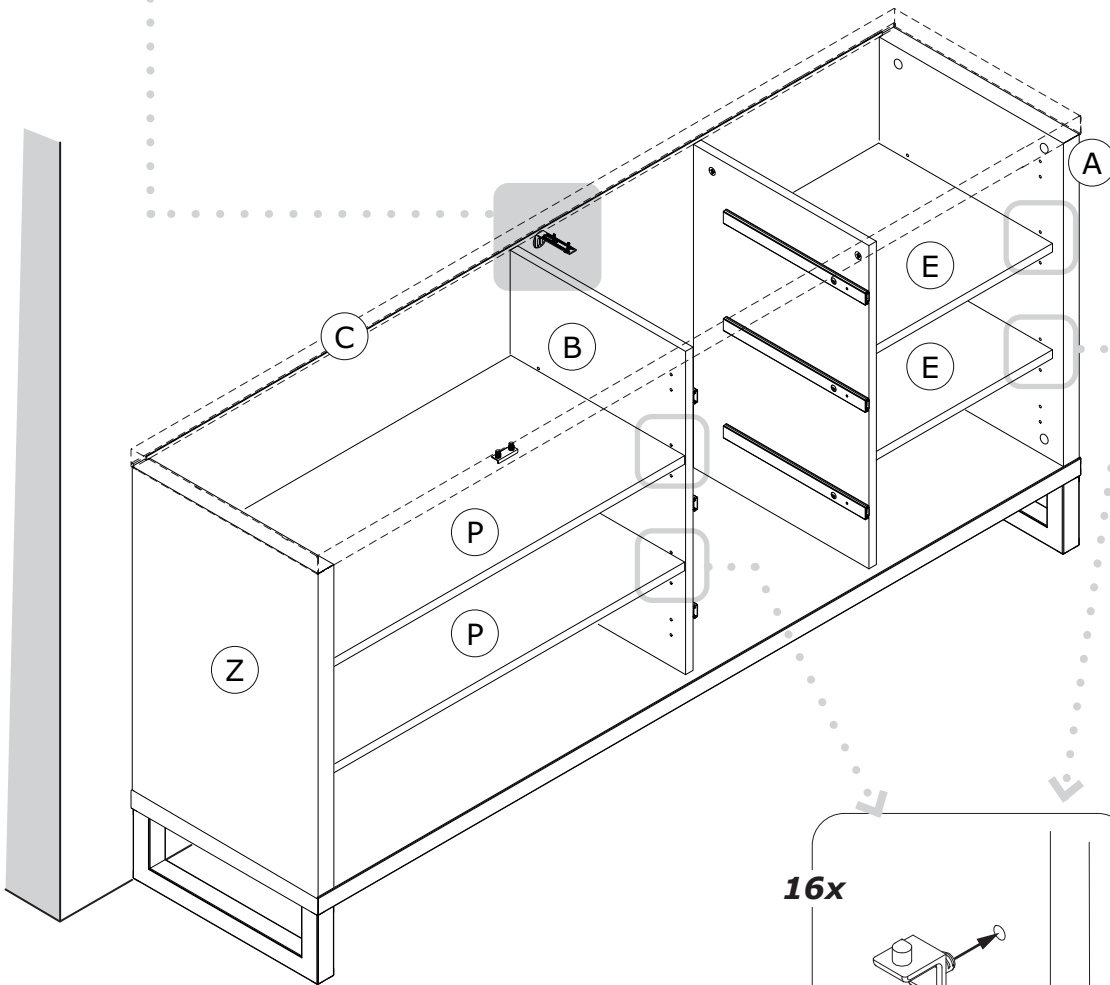
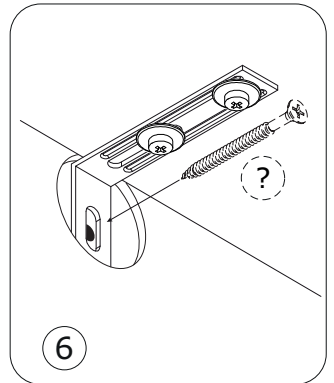
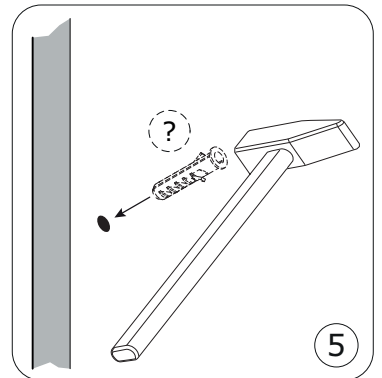
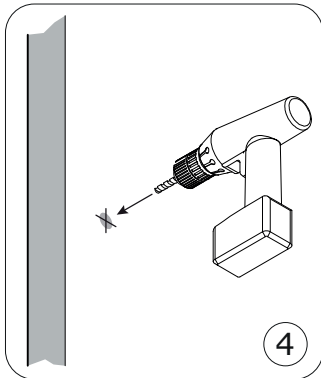
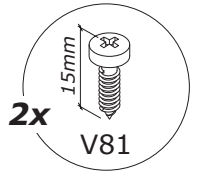
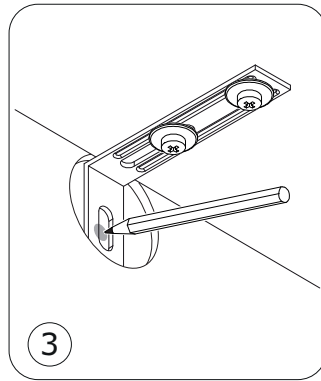
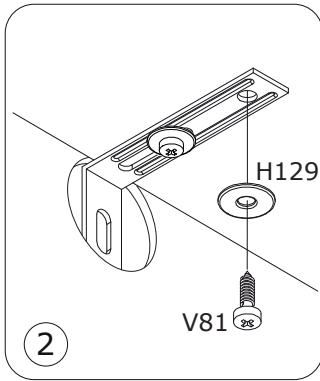
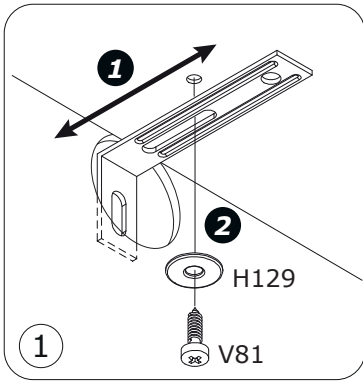
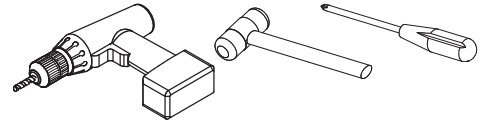
44x

H15



19

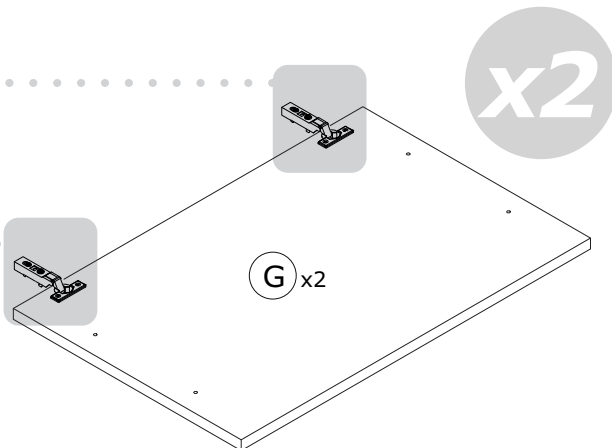
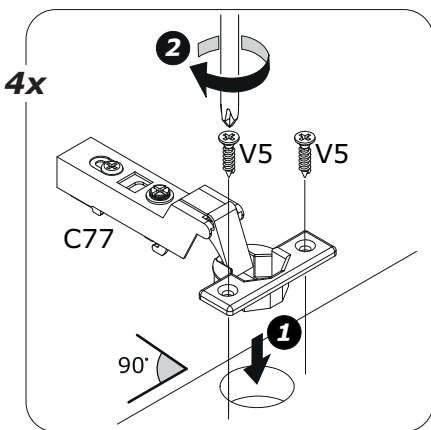
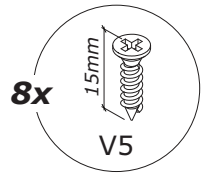
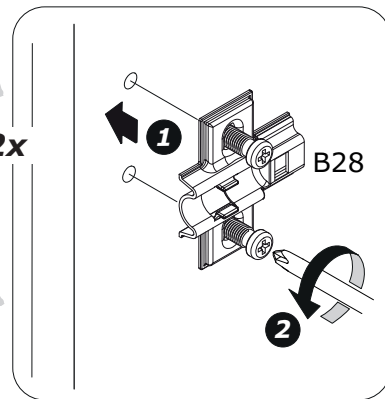
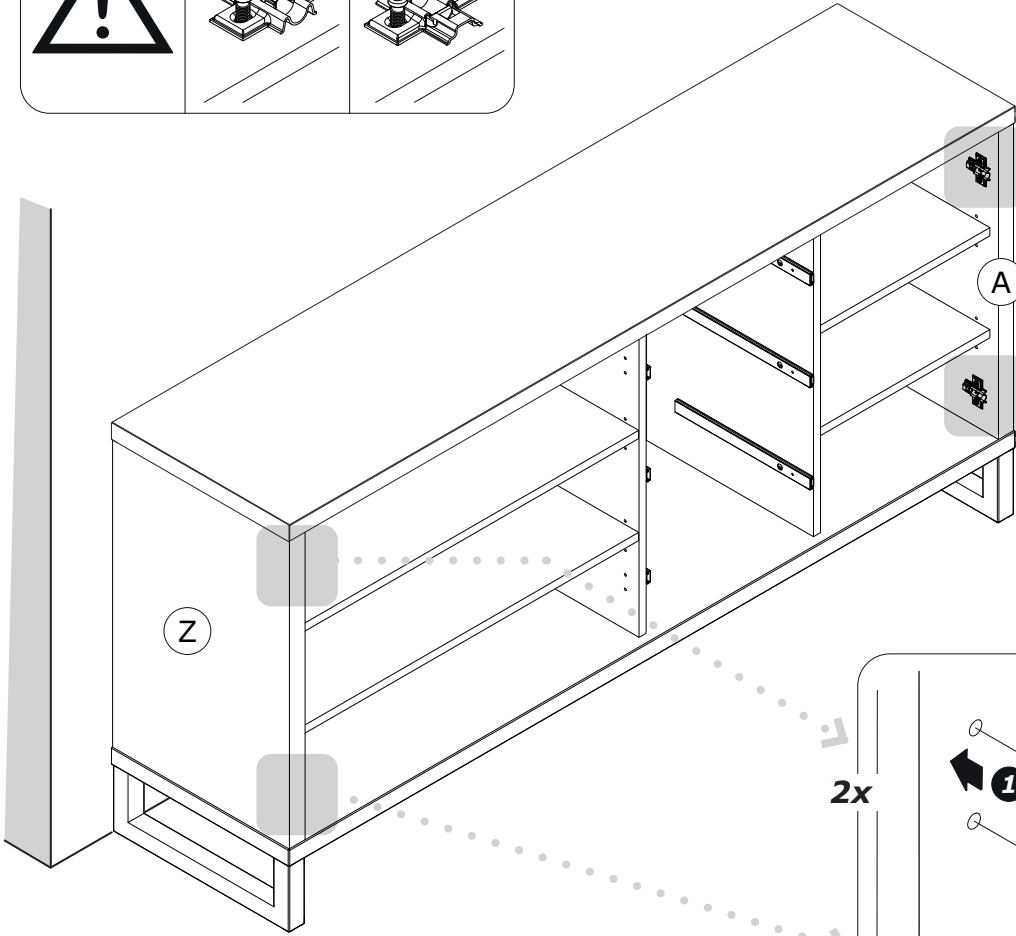
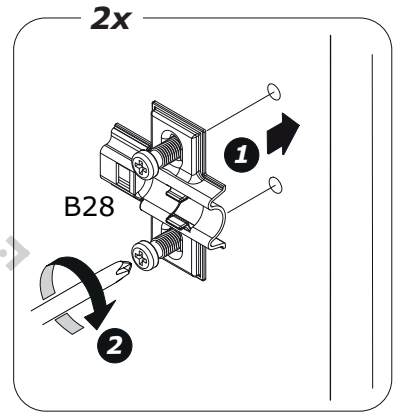
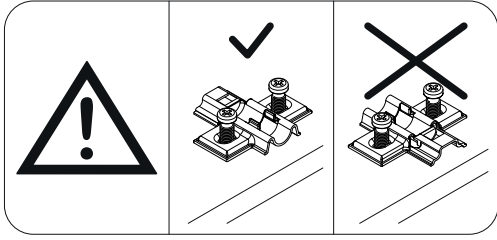
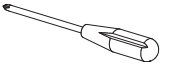




21



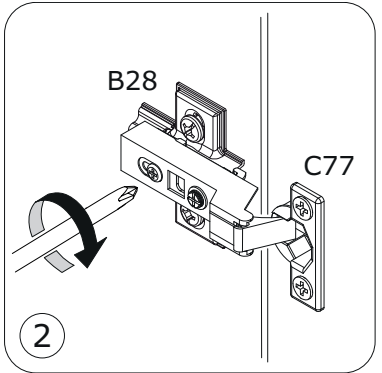
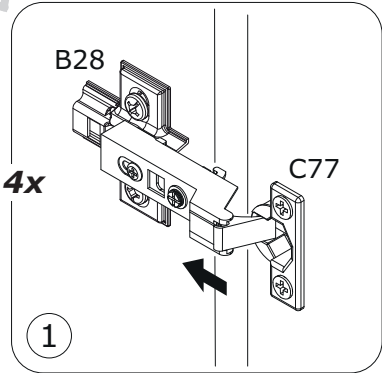
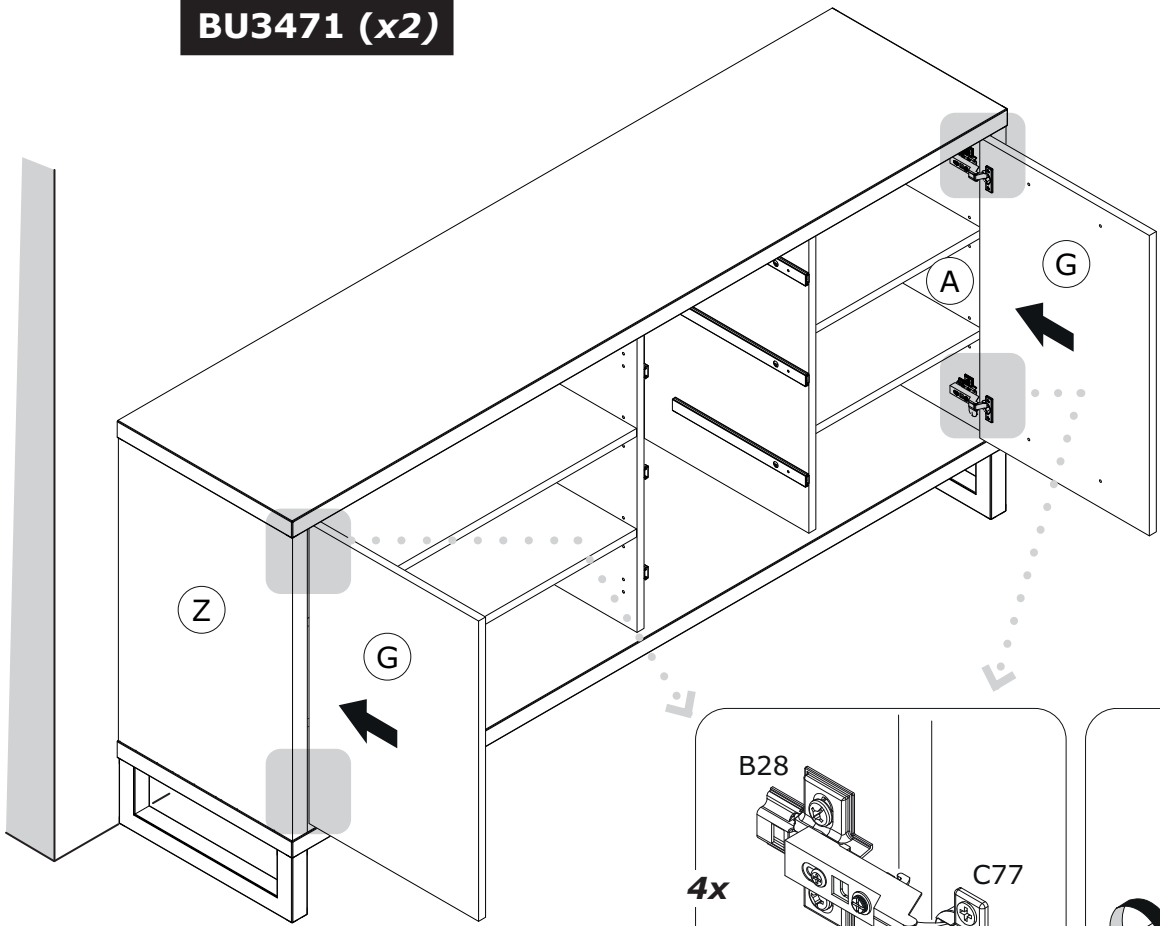
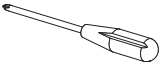
BU3471 (x2)



22



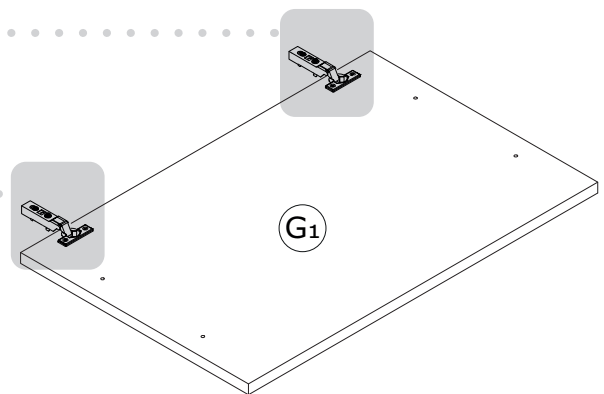
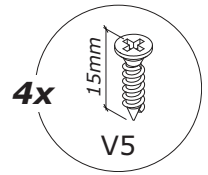
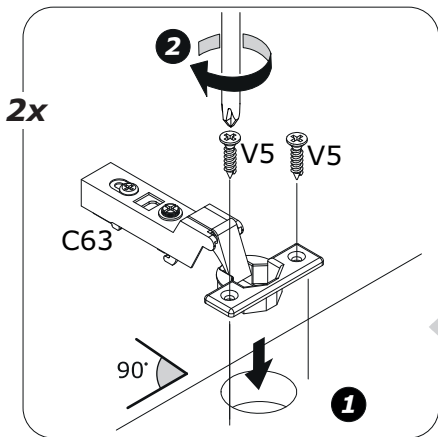
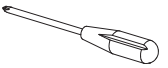
BU3471 (x2)



23

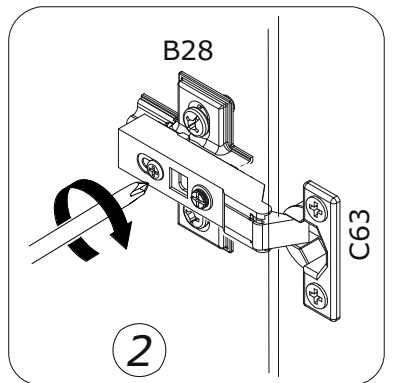
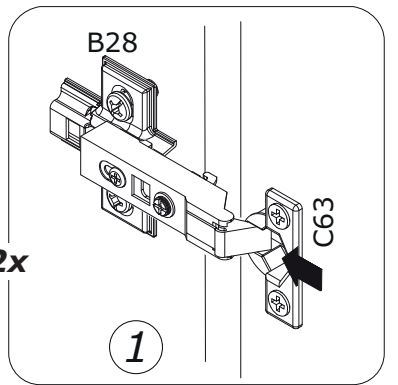
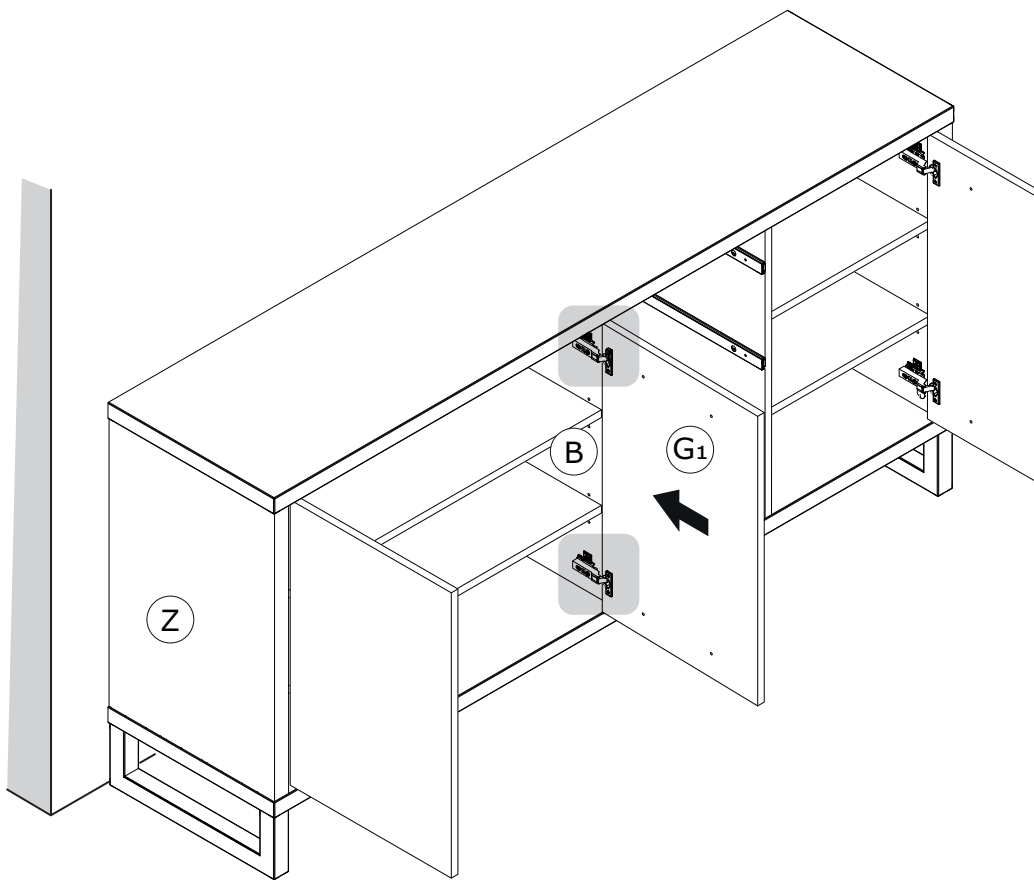
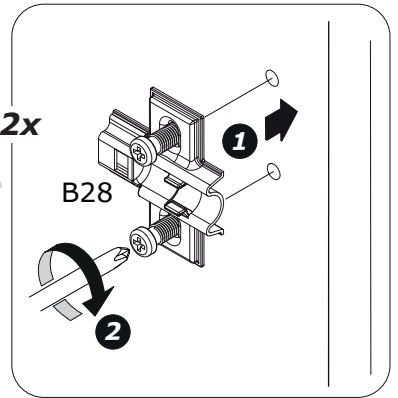
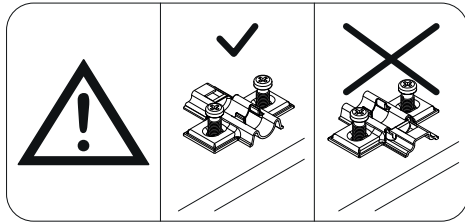
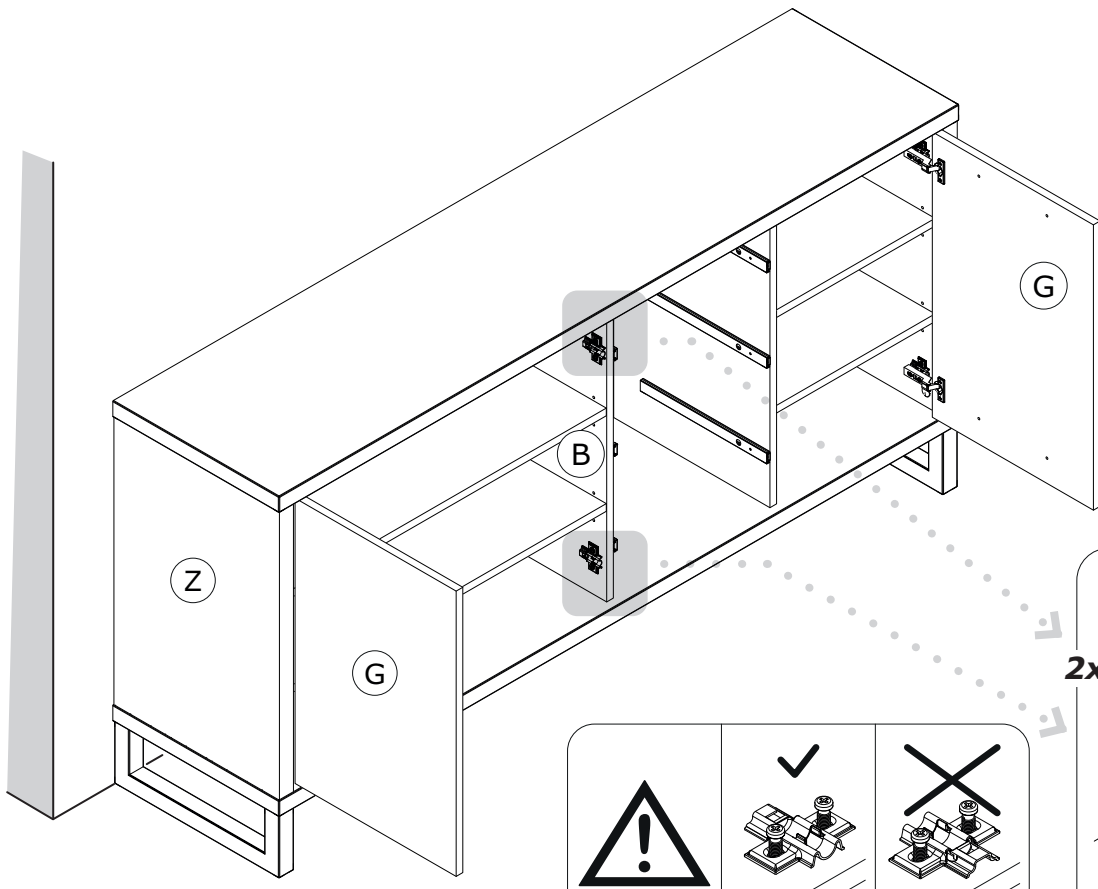
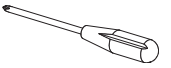


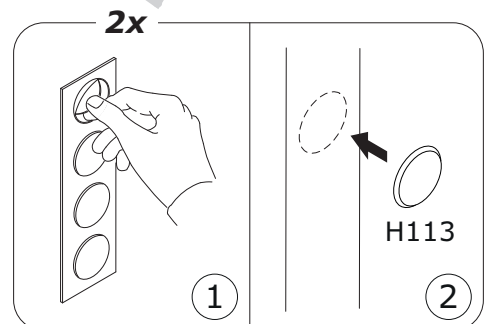
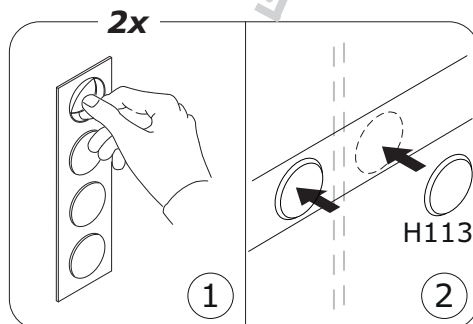
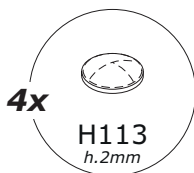
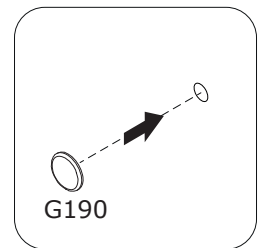
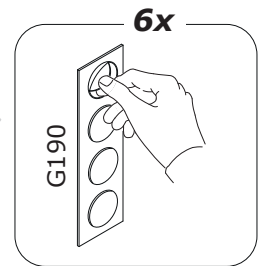
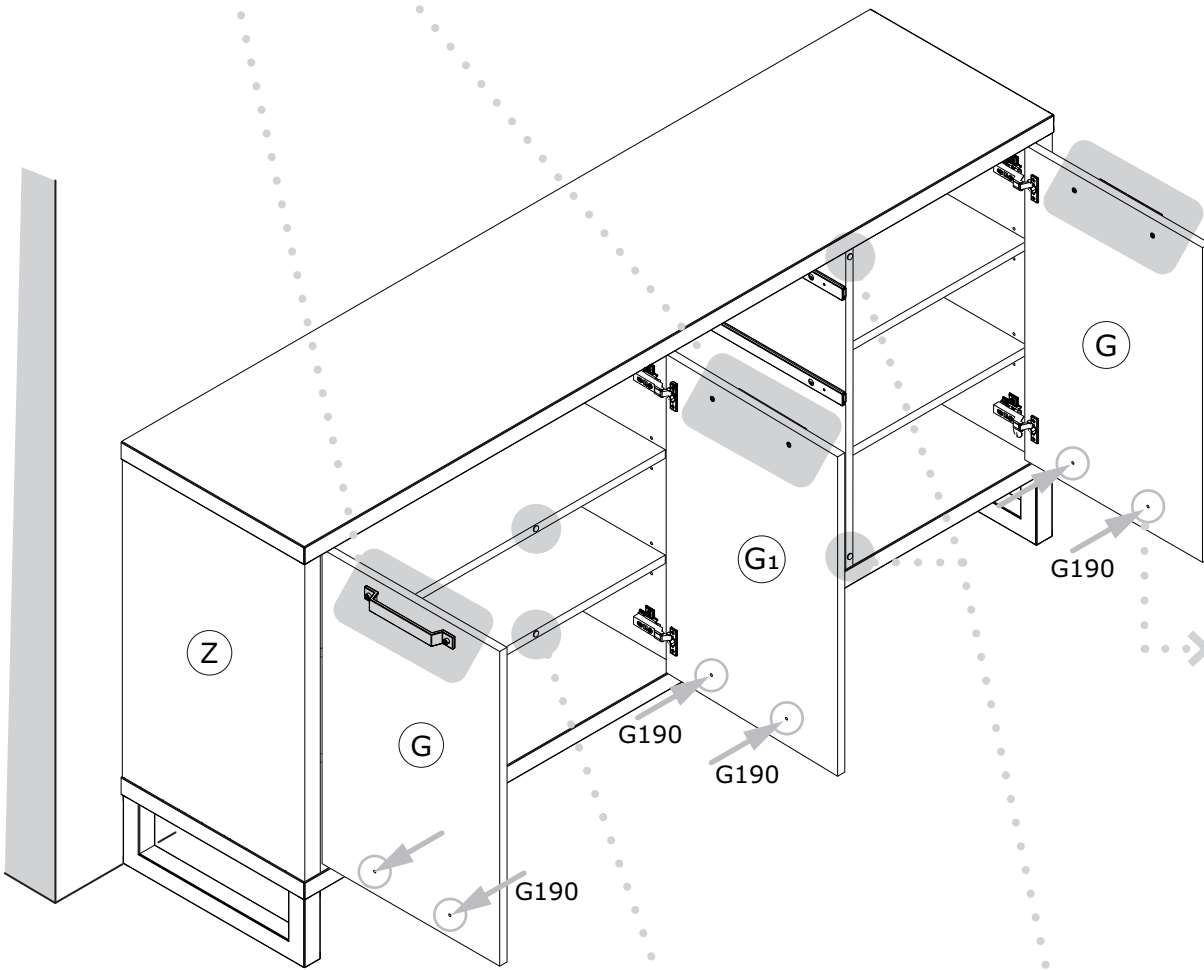
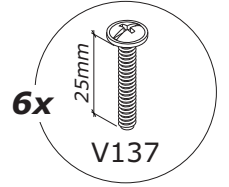
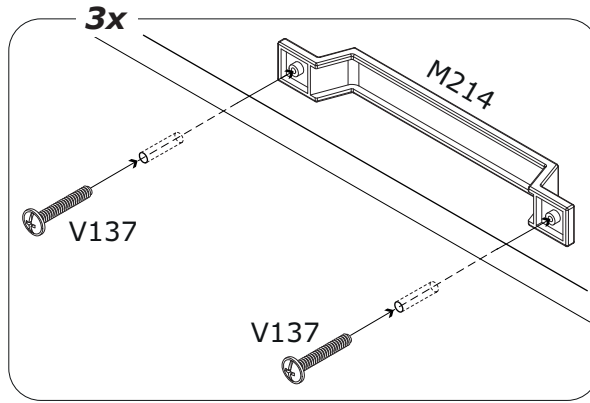
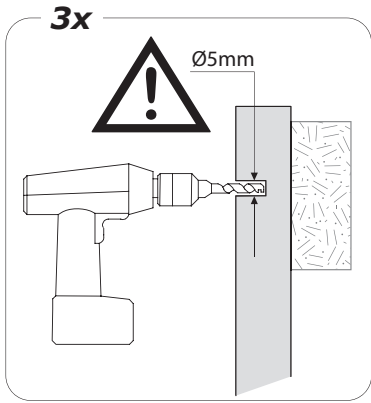
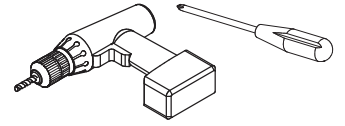
BU2166



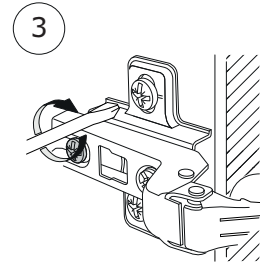
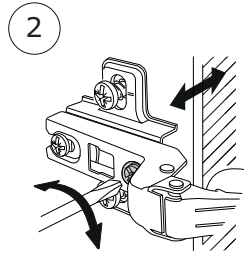
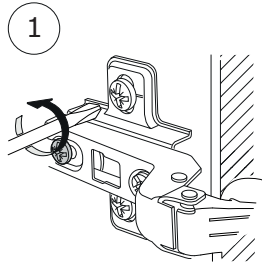
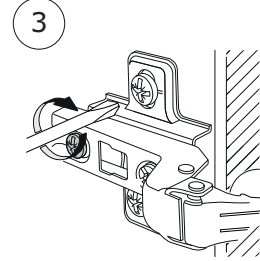
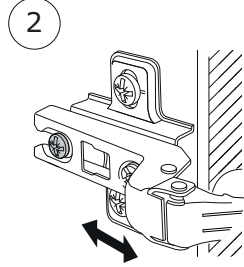
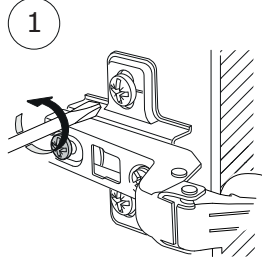
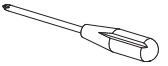
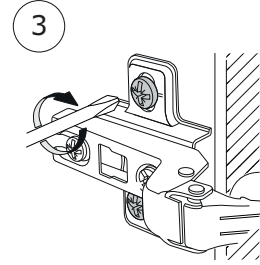
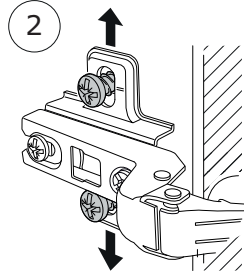
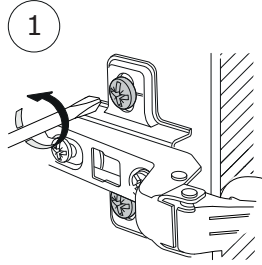
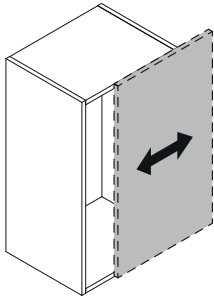
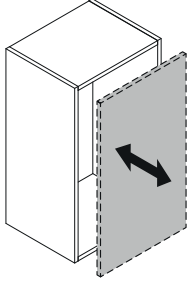
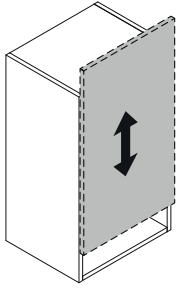


BU2166





26



26

