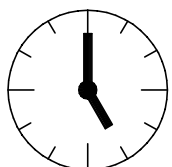
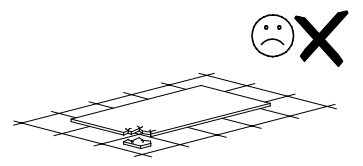
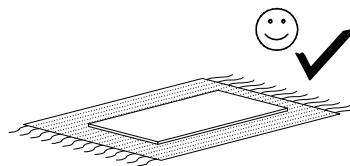
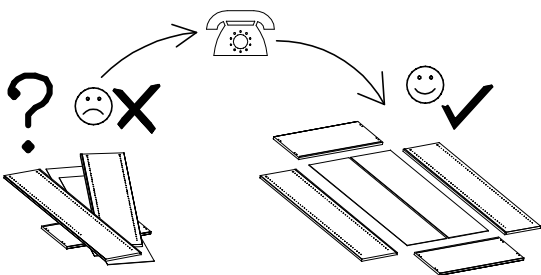
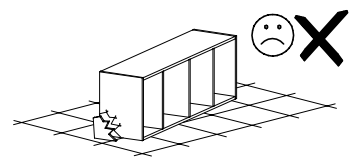
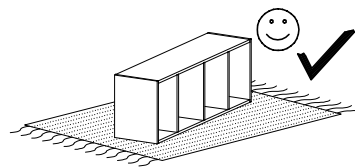
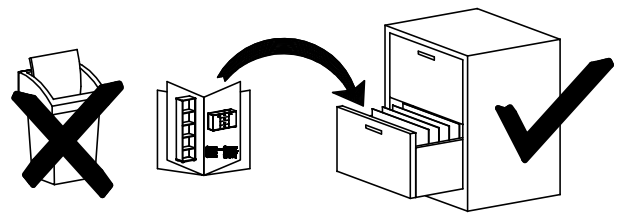
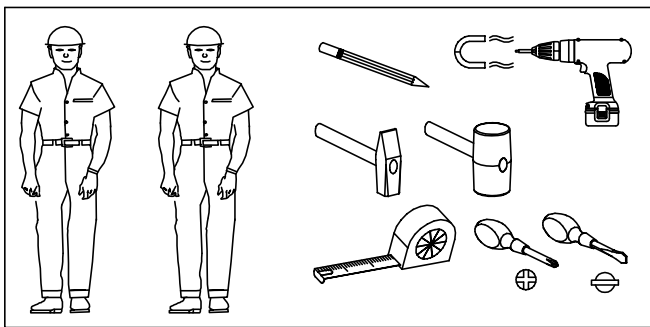
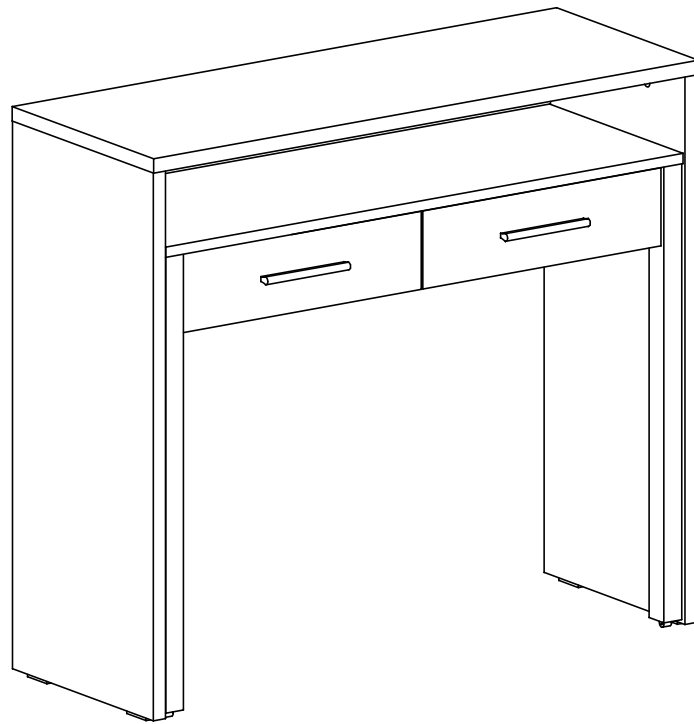
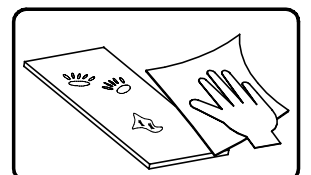
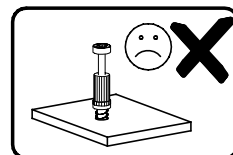
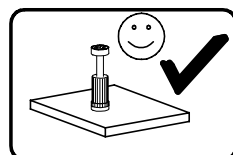
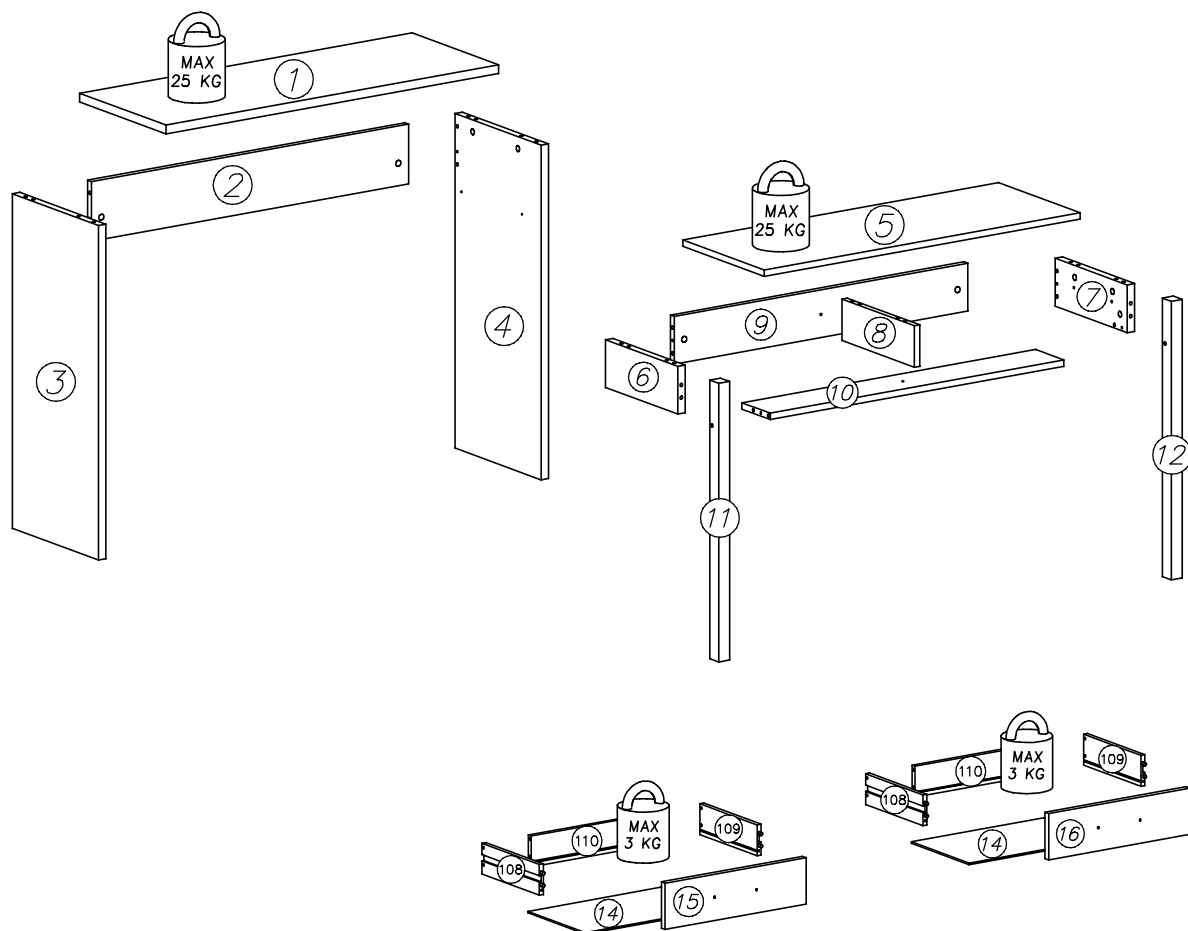
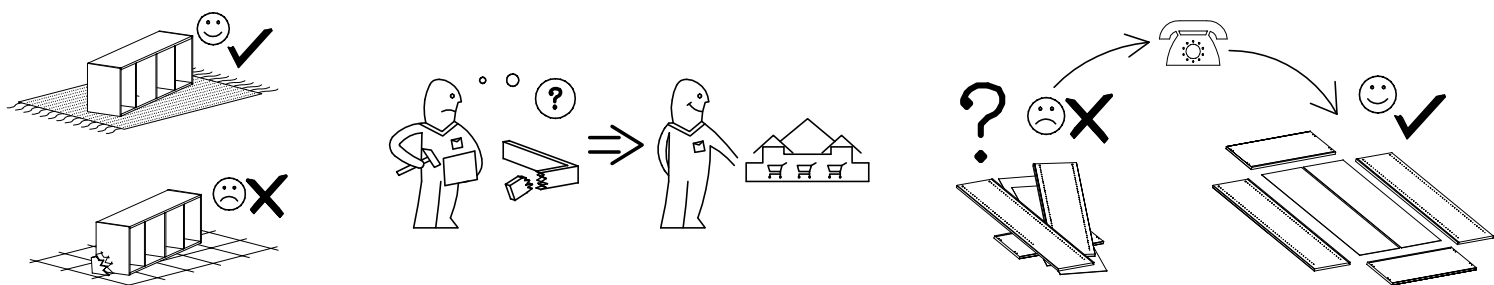


# ESCRITORIO II



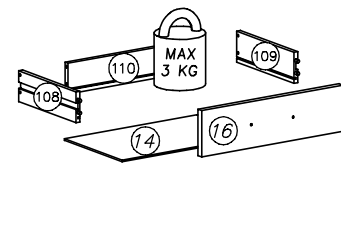
2,5h





nr	L[mm]	B[mm]	T[mm]	Menge
1	986	366	22	1
2	940	150	16	1
3	841	364	22	1
4	841	364	22	1
5	936	345	16	1
6	305	120	22	1
7	305	120	22	1
8	307	104	16	1

nr	L[mm]	B[mm]	T[mm]	Menge
9	870	120	16	1
10	870	120	16	1
11	700	38	32	1
12	700	38	32	1
14	404	251	3	2
15	431	120	16	1
16	431	120	16	1
108	250	80	12	2
109	250	80	12	2
110	394	80	12	2

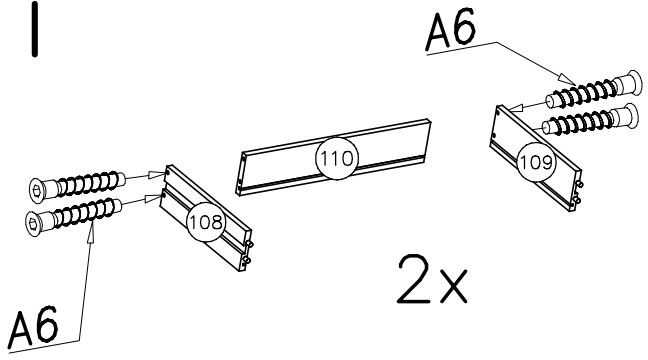


A6		ø7x40	x...(8)
G14		3,5x45	x...(2)
I9		ø12	x...(2)
G46		6x8	x...(8)
H21		300mm	x...(1)
I7		ø18	x...(4)
P3		250mm	x...(4)
K5		x...(18)	
B1		ø8x35	x...(22)
K1		ø15x12	x...(8)
K2		ø15x16	x...(10)
W1		GLUE LEM. LEPILOLA, LIM	x...(1)
P32			x...(2)

G34		3,5x16	x...(8)
G8		4x30	x...(4)
E1		128mm	x...(2)
A5		ø7x60	x...(2)
N1		M4x9	x...(4)
W2			x...(1)
W4			x...(4)
H2		250mm	x...(4)
K5		x...(18)	
B1		ø8x35	x...(22)
K1		ø15x12	x...(8)
K2		ø15x16	x...(10)
W1		GLUE LEM. LEPILOLA, LIM	x...(1)
P32			x...(2)

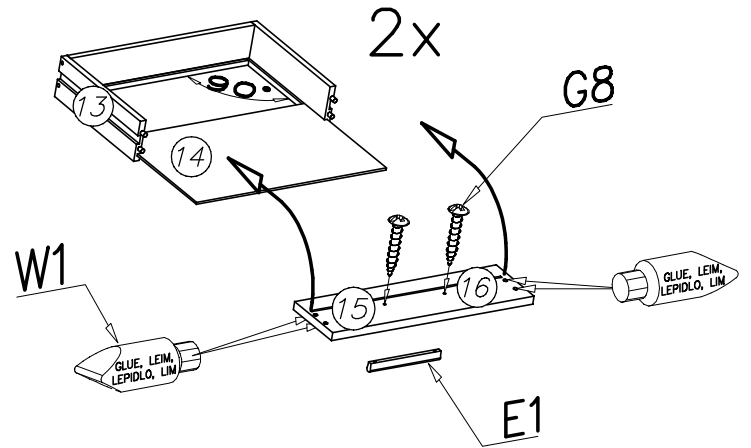
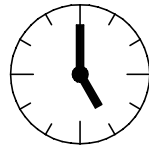


## I

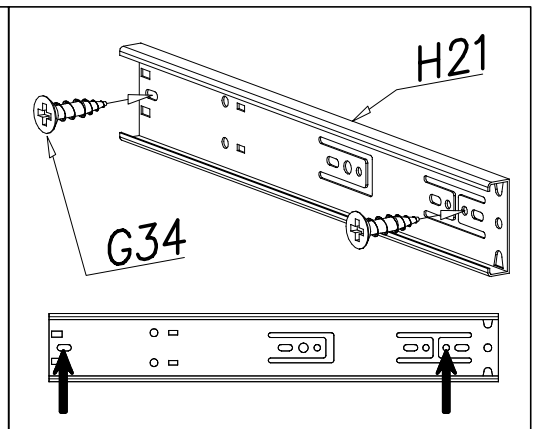
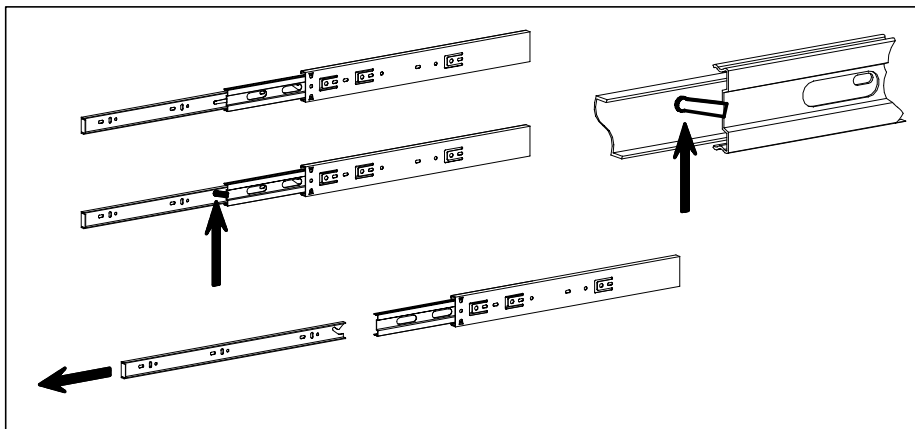
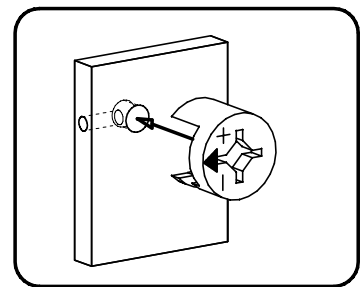
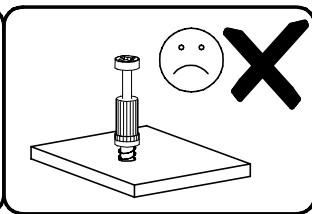
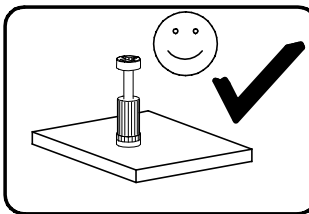
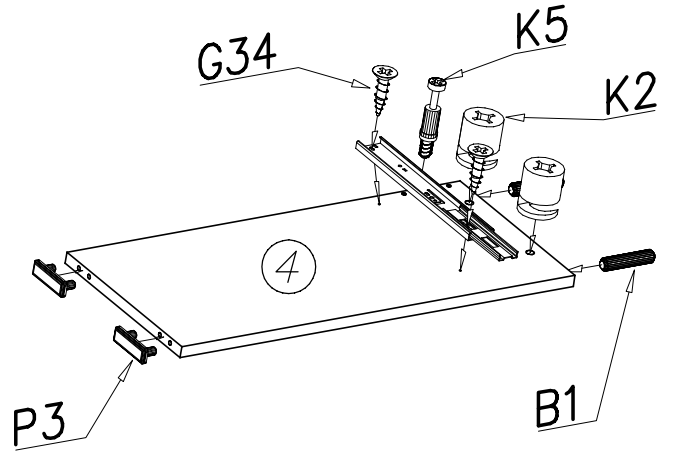
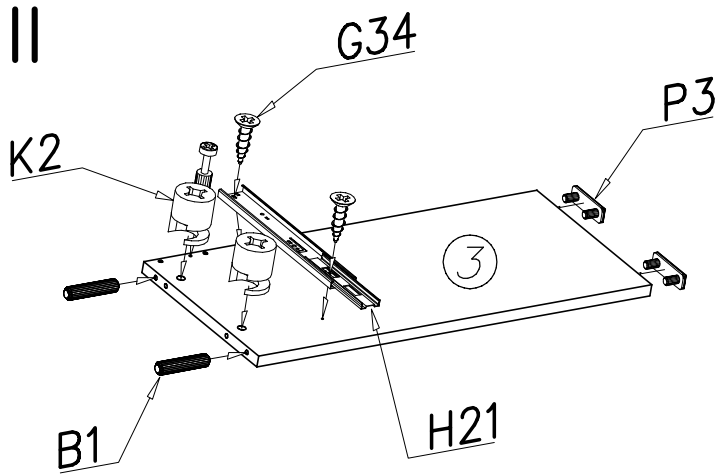


2x

0,5h

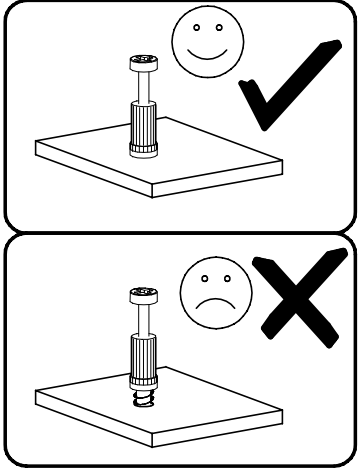
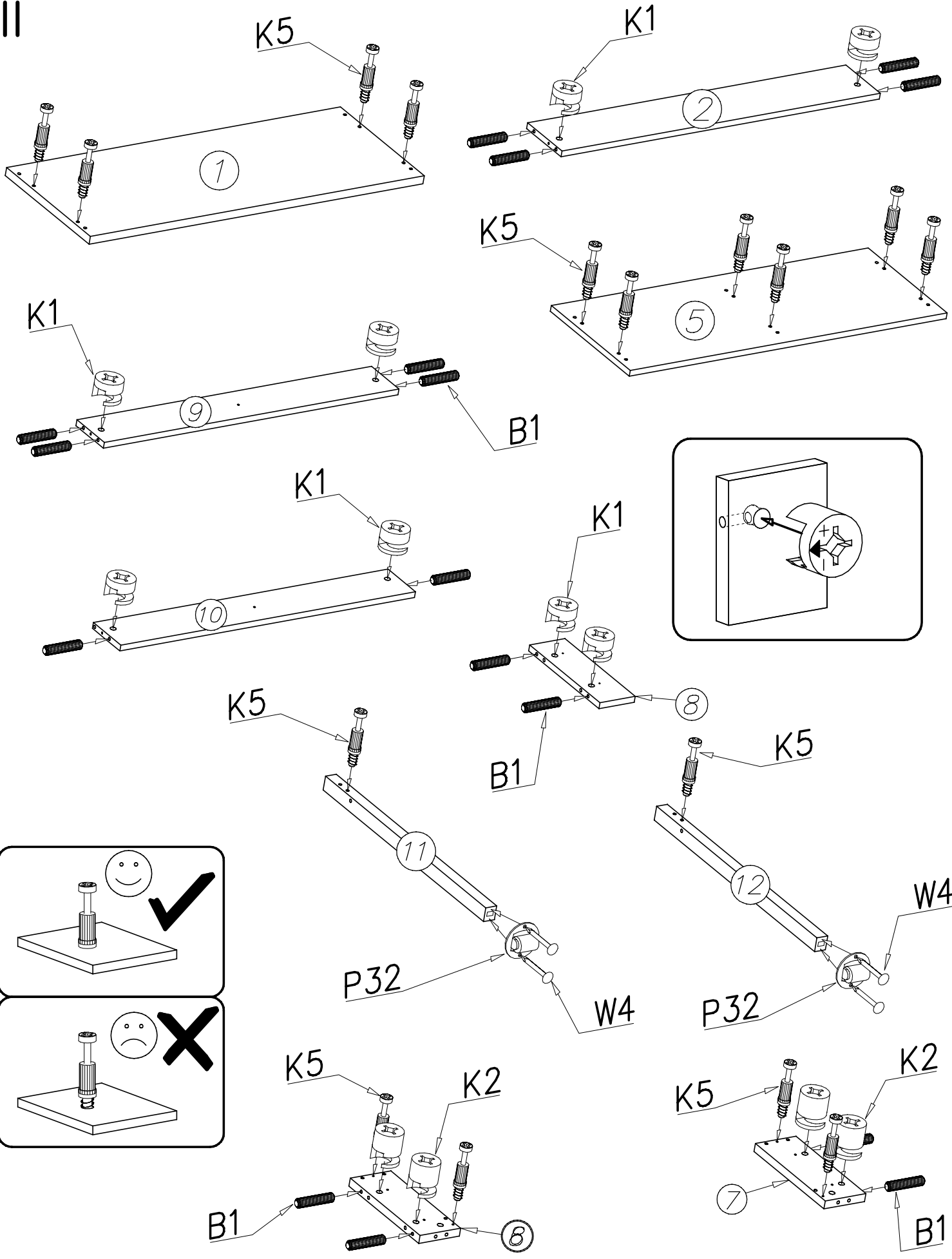


## II



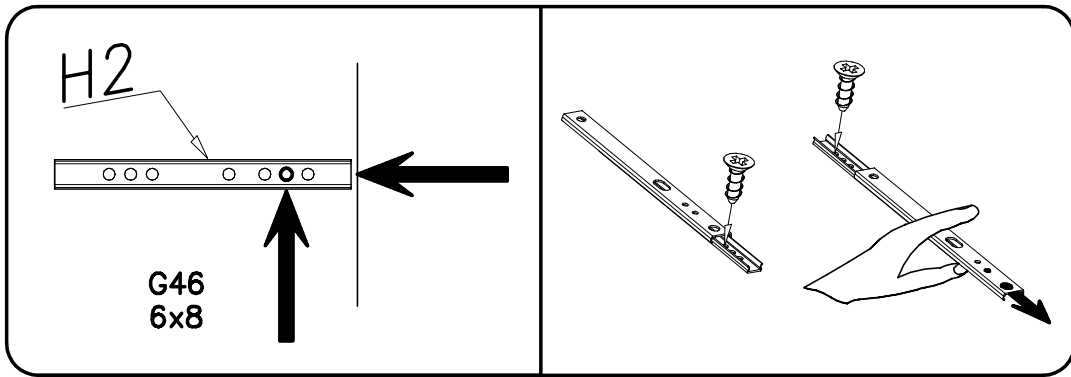
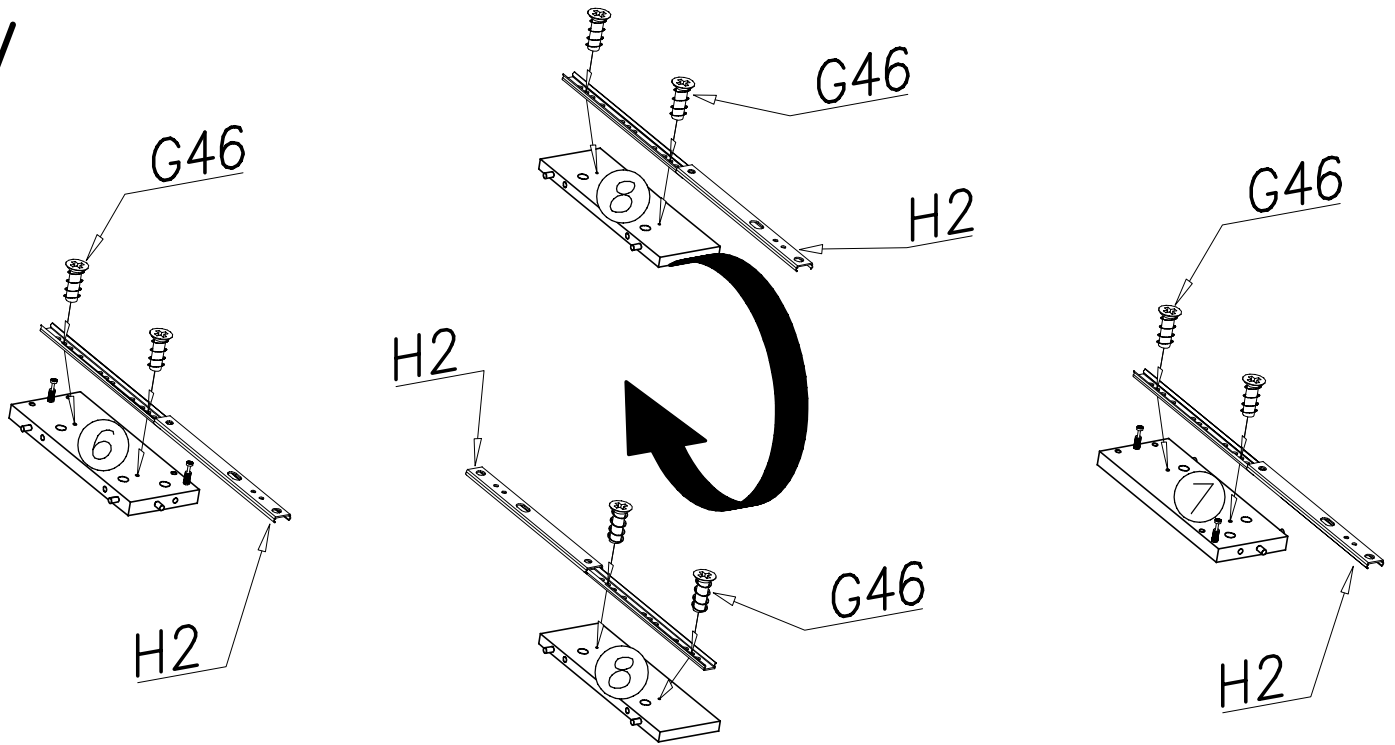


## III

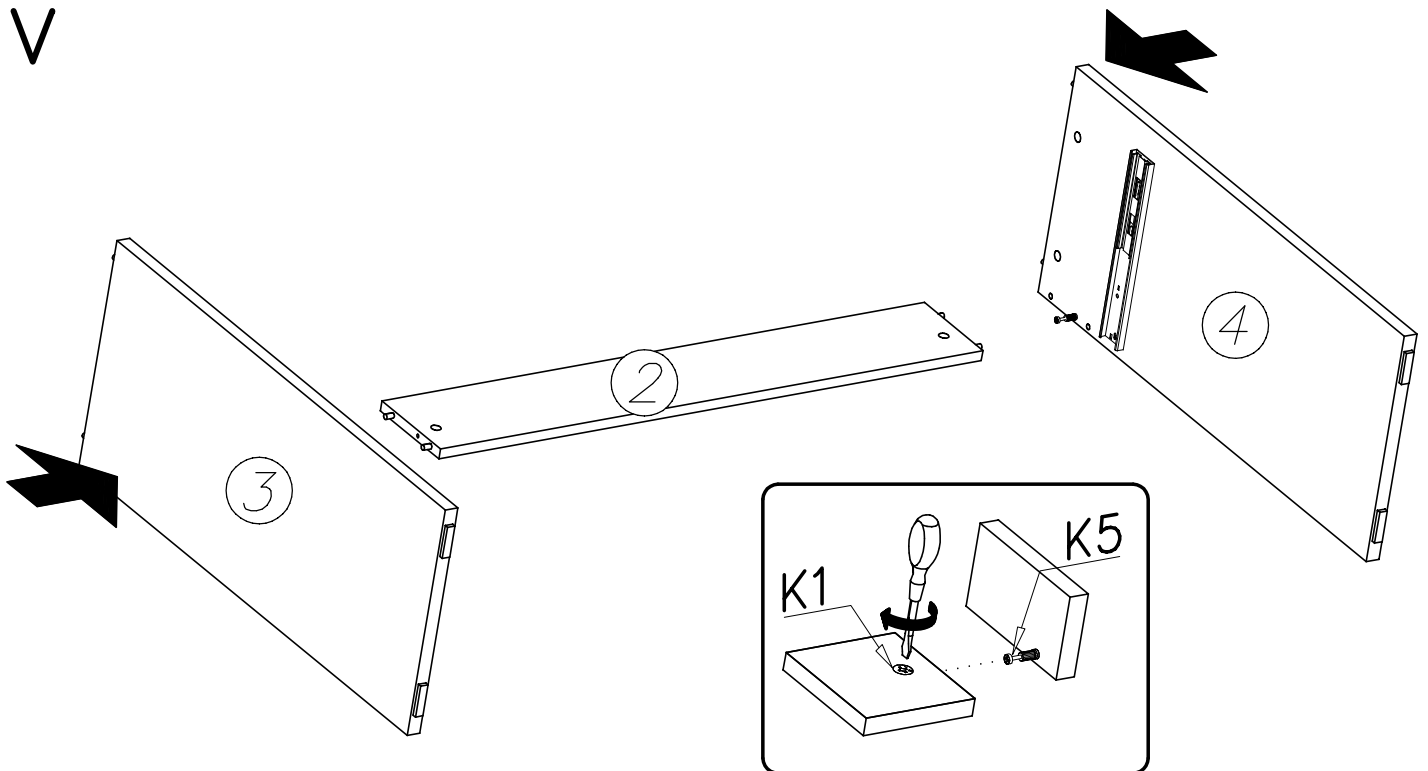




IV

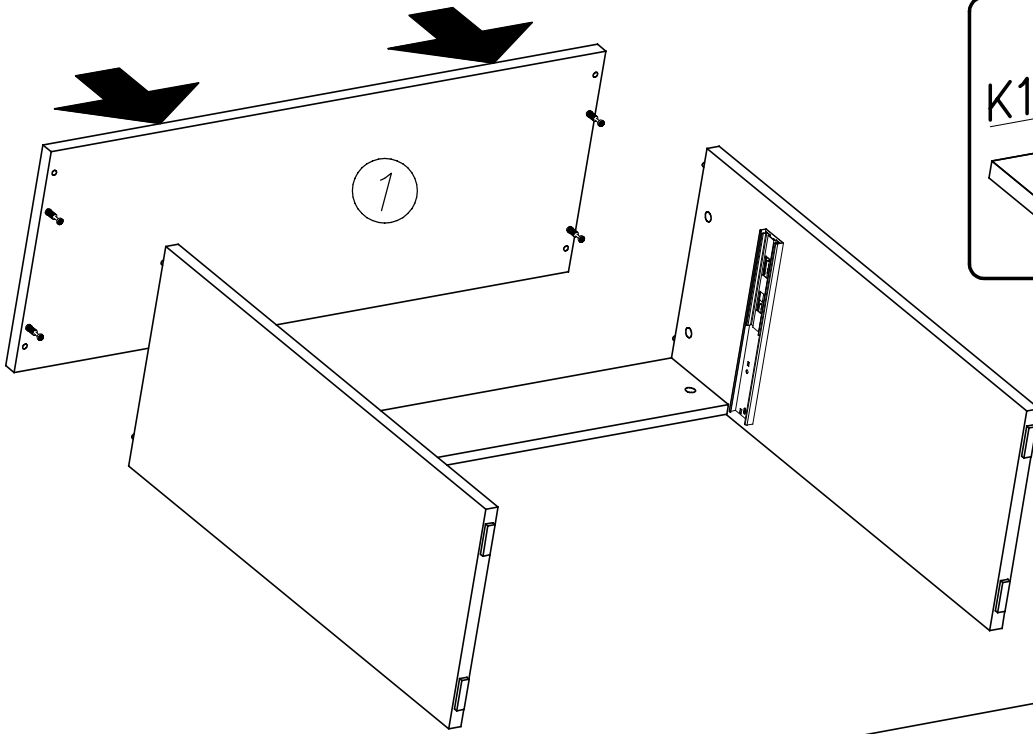


V

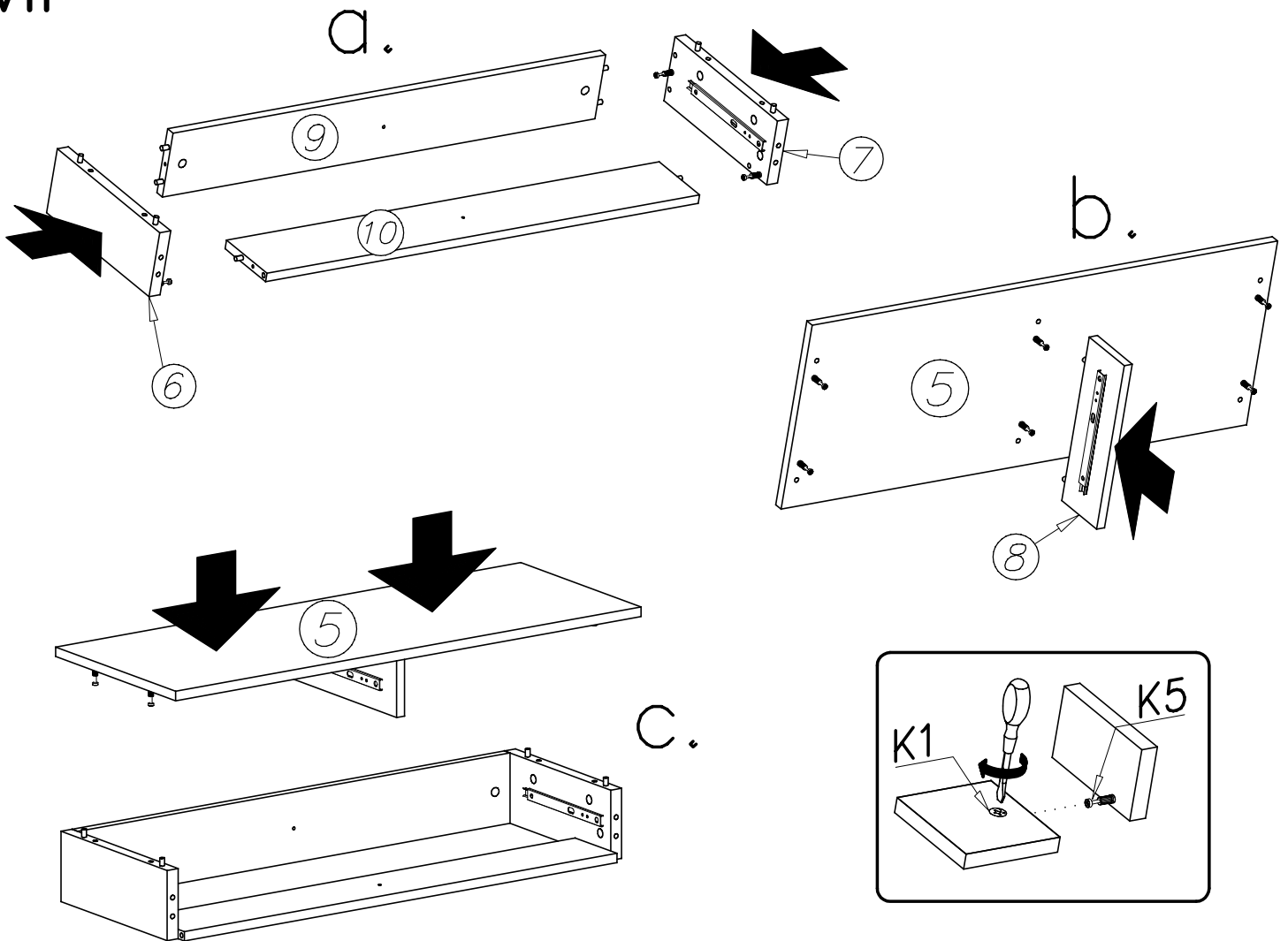




## VI

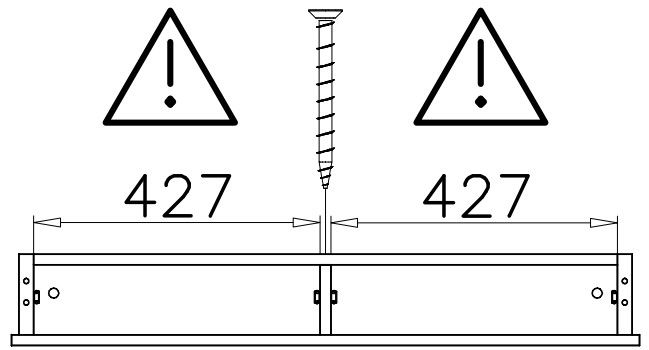
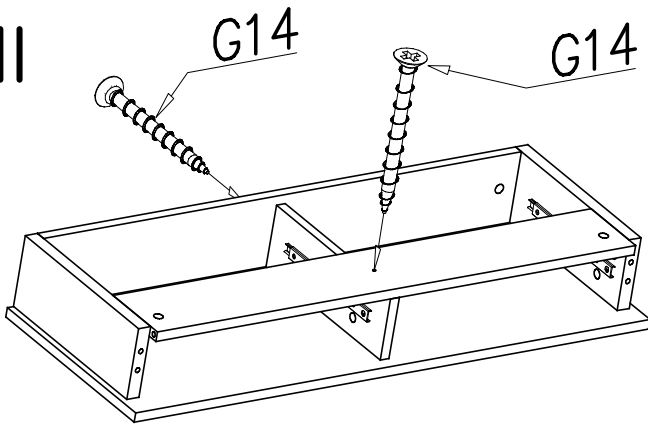


## VII

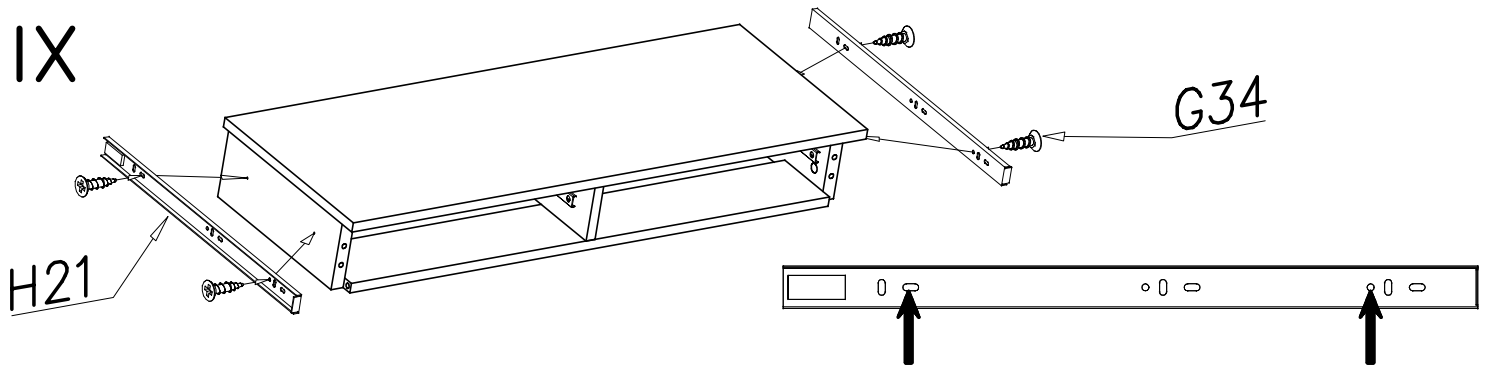




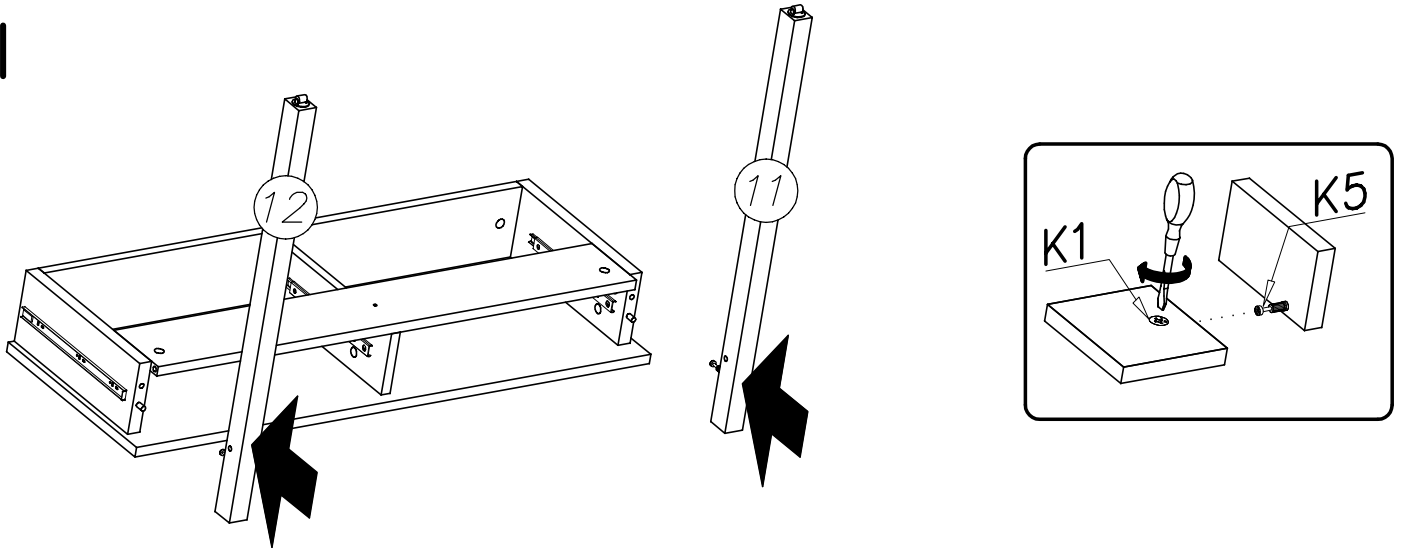
## VIII



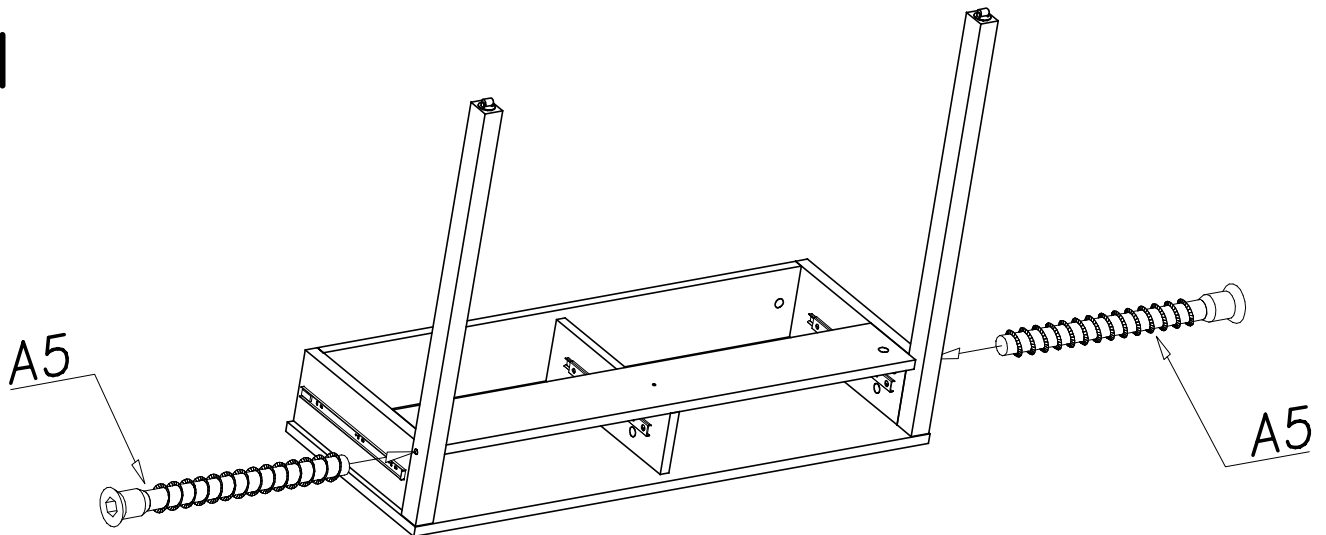
## IX



## XI



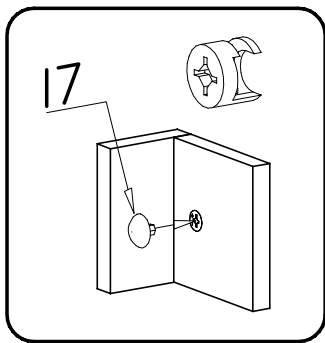
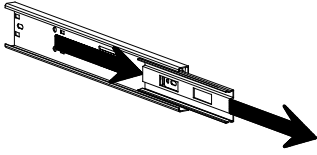
## XII



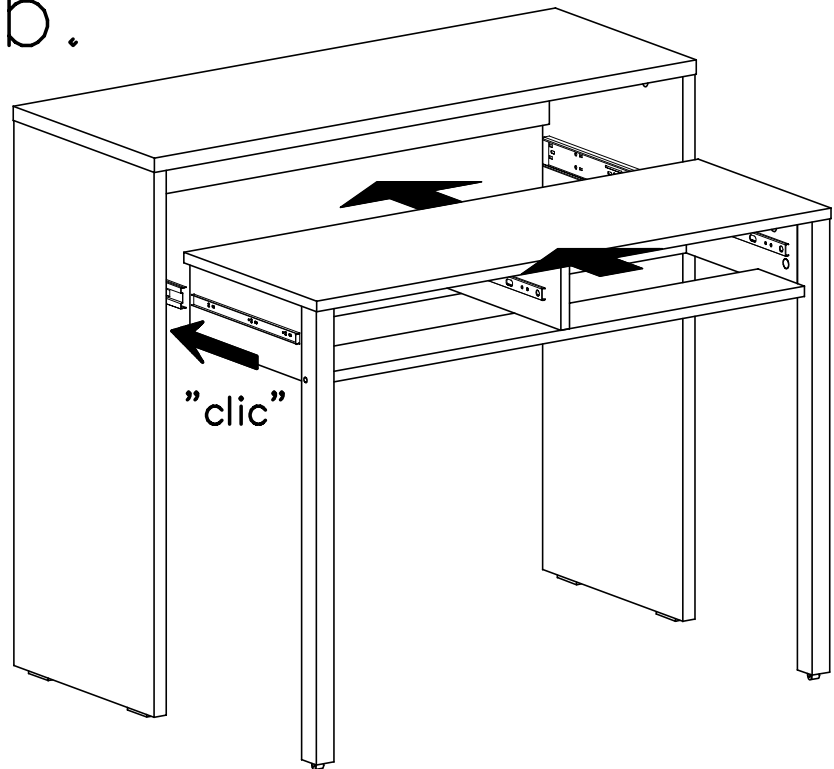


XIII

a.



b.



XIV

