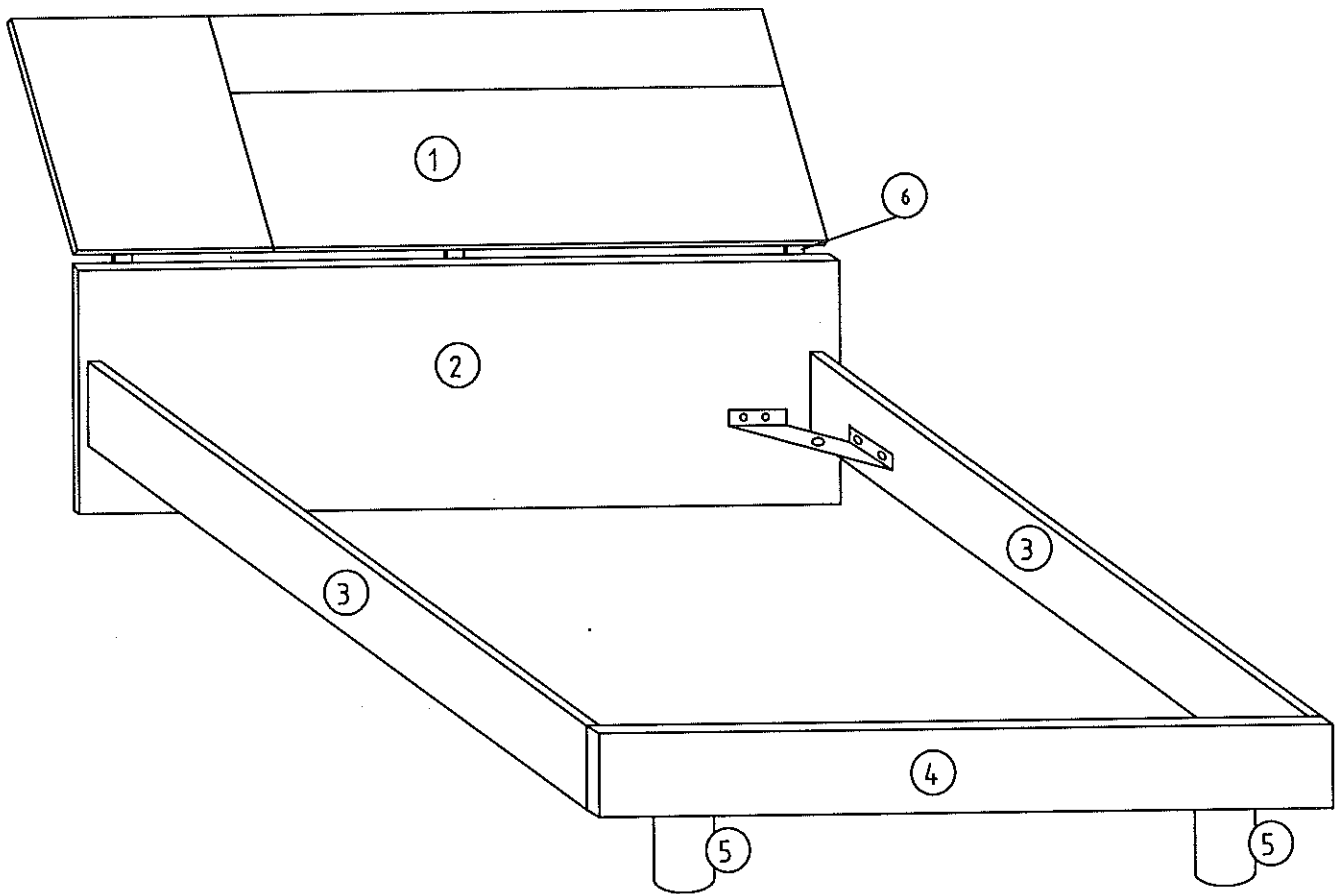


SUCCESSIONE DI MONTAGGIO  
 SEQUENCE DE MONTAGE  
 SEQUENCE OF ASSEMBLAGE

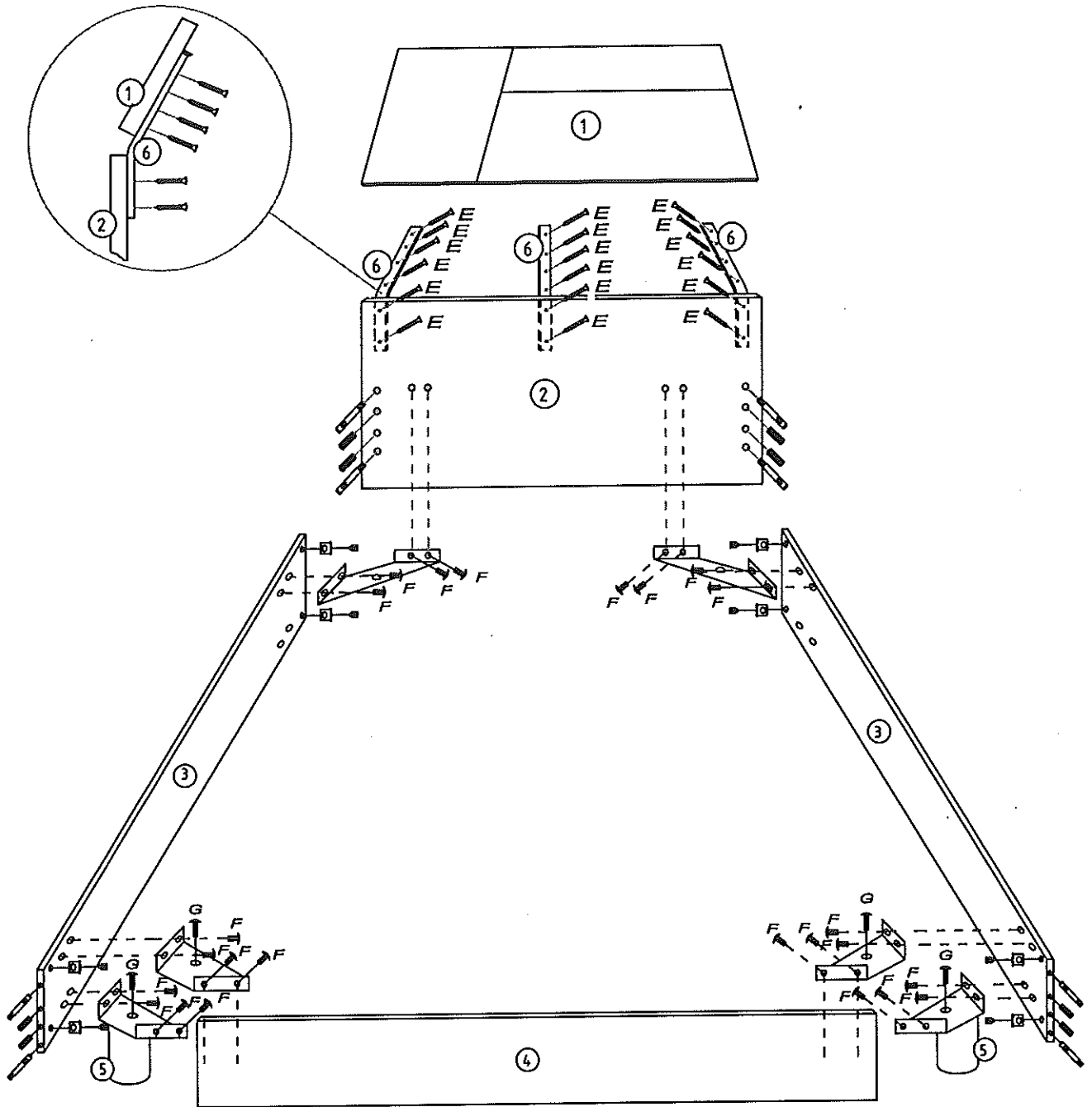


- |   |   |  |   |
|---|---|--|---|
| <p>① Testiera letto<br/>Tet du lit<br/>Bed head</p> | <p>② Sottotestiera<br/>Sous tete de lit<br/>Bed head below</p>          | <p>③ Fascioni letto<br/>Longerons du lit<br/>Bed sides</p> | <p>④ Pediera letto<br/>Pied du lit<br/>Bed food</p> |
| <p>⑤ Gambe<br/>Pied lit<br/>Leg</p>                 | <p>⑥ Supporto metallico<br/>Support metallique<br/>Support in metal</p> | <p>⑦ Staffe reggirete<br/>Support de lit<br/>Bed bars</p>  |   |



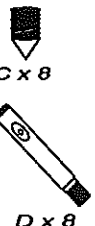
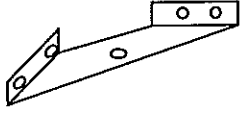



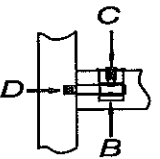
MOD. ISOLE

LETTO CAPRI RING

NOTICE DE MONTAGE  
ASSEMBLING INSTRUCTIONS  
MANTAGEANLEITUNG  
ISTRUZIONI DI MONTAGGIO



Quincallerie Beschlage Hardware

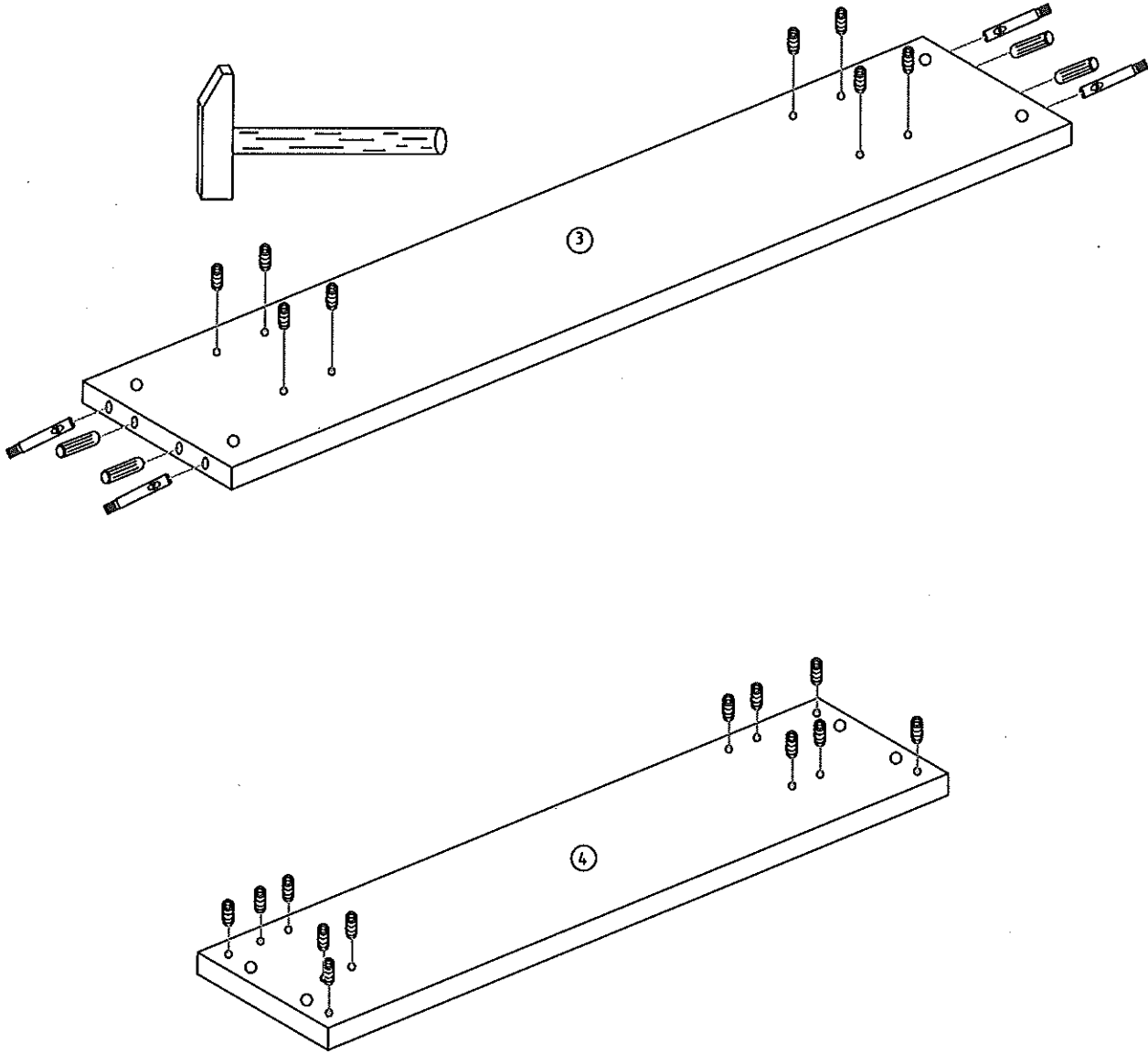
 A x 8	 B x 8	 C x 8	 Staffe x 6	 E x 18 Vite tps 3,5x25	 F x 24 Vite tbi 6MAx10	 G x 2 Vite tbi 8MAx20	
--	--	--	---	--	---	---	---

MOD. ISOLE

LETTO CAPRI RING

NOTICE DE MONTAGE  
ASSEMBLING INSTRUCTIONS  
MANTAGEANLEITUNG  
ISTRUZIONI DI MONTAGGIO

Pag. 3

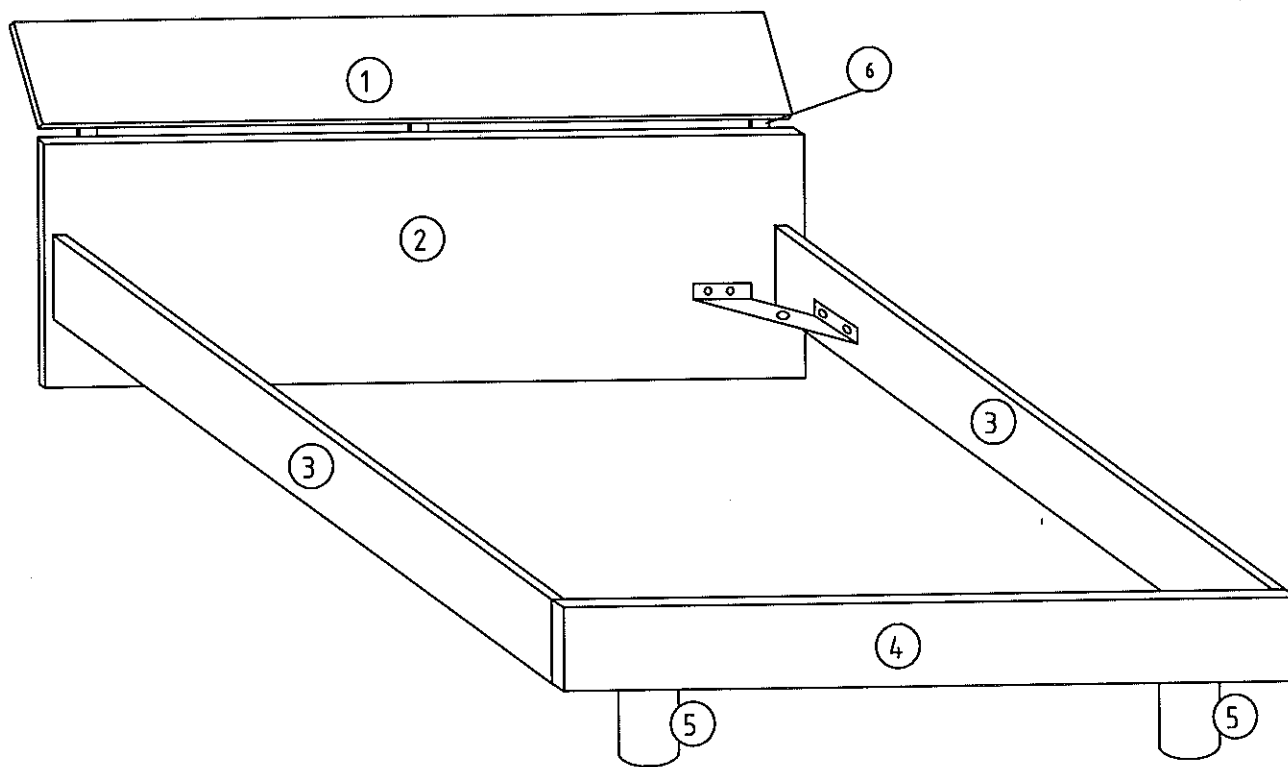
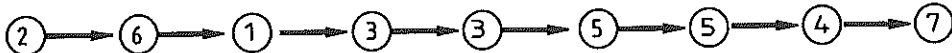


Quincaillerie Beschlage Hardware



H x 28

SUCCESSIONE DI MONTAGGIO  
 SEQUENCE DE MONTAGE  
 SEQUENCE OF ASSEMBLAGE



1 Testiera letto  
 Tet du lit  
 Bed head

2 Sottotestiera  
 Sous tete de lit  
 Bed head below

3 Fascioni letto  
 Longeron du lit  
 Bed sides

4 Pediera letto  
 Pied du lit  
 Bed food

5 Gambe  
 Pied lit  
 Leg

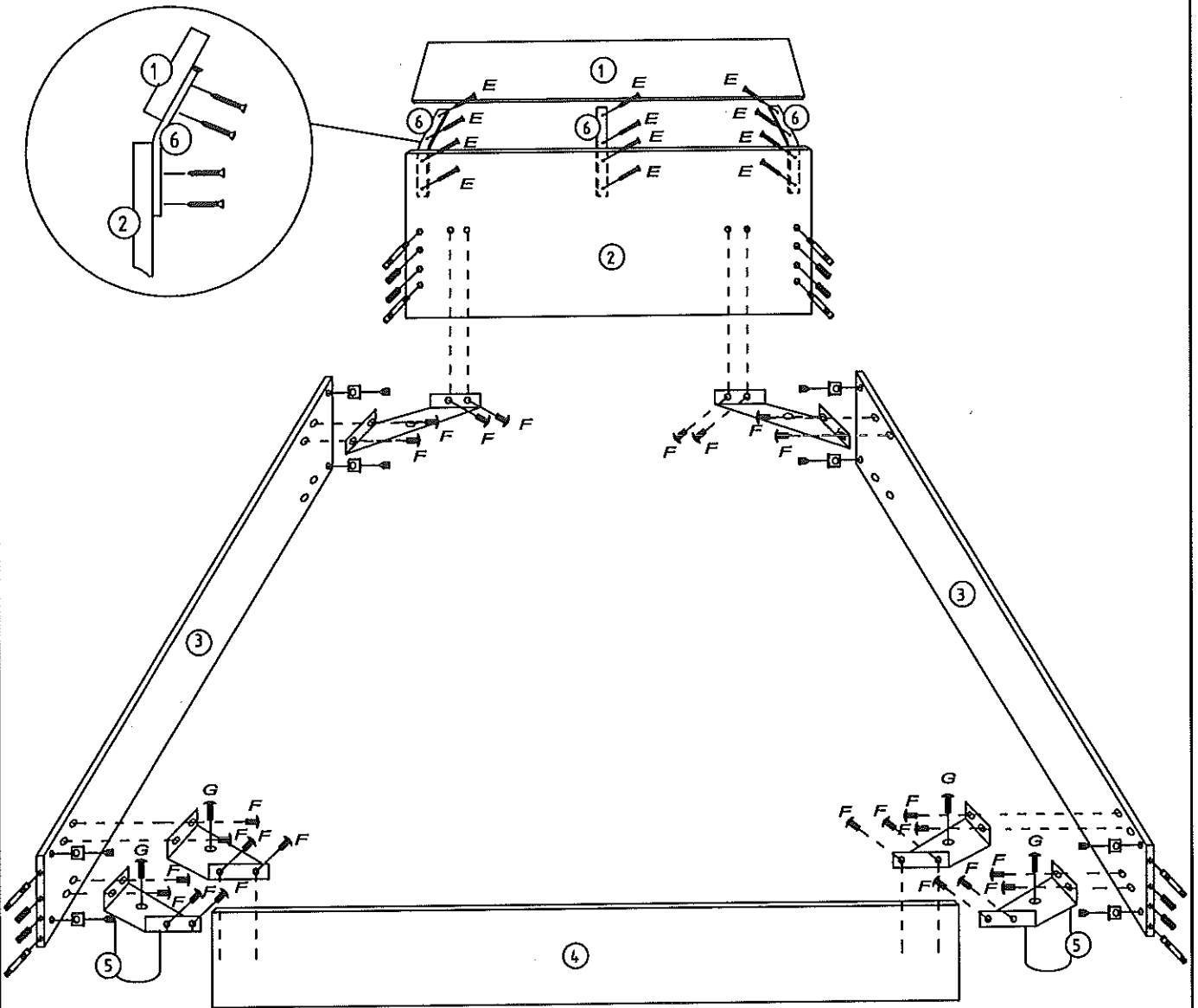
6 Supporto metallico  
 Support metallique  
 Support in metal

7 Staffe reggirete  
 Support de lit  
 Bed bars

MOD. EASY

LETTO EASY RING

NOTICE DE MONTAGE  
ASSEMBLING INSTRUCTIONS  
MANTAGEANLEITUNG  
ISTRUZIONI DI MONTAGGIO



Quincaillerie Beschlage Hardware

 A x 8	 B x 8	 C x 8	 Staffe x 6	 E x 12 Vite tps 3,5x25	 F x 24 Vite tbi 6MAx10	 G x 2 Vite tbi 8MAx20	 D x 8
-----------	-----------	-----------	----------------	-------------------------------	-------------------------------	------------------------------	-----------