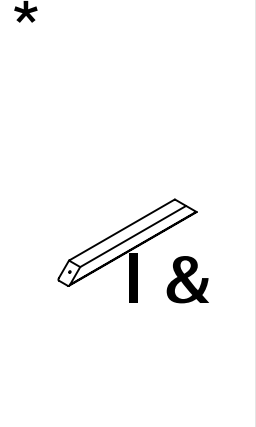
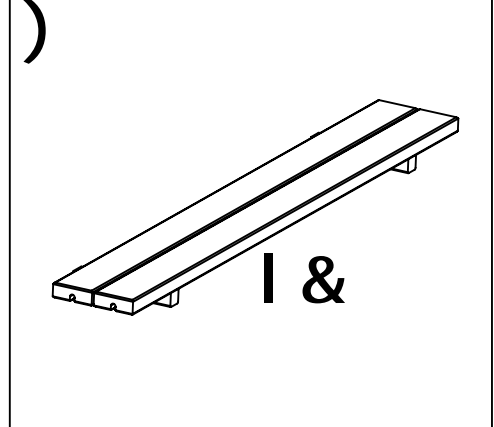
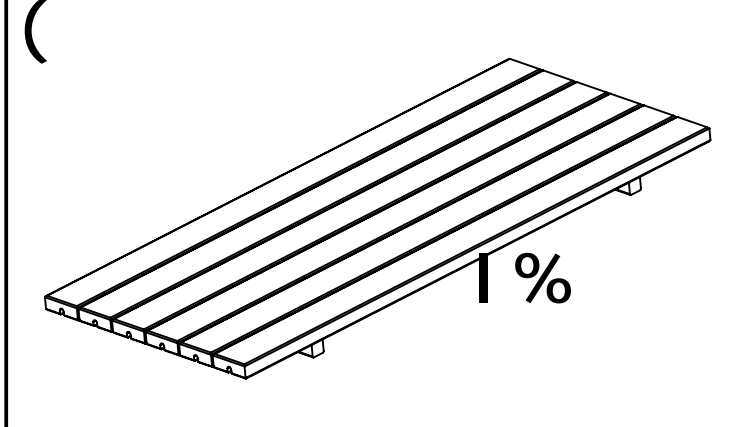
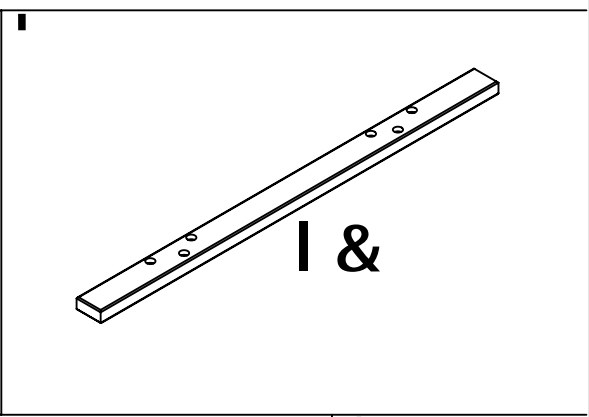
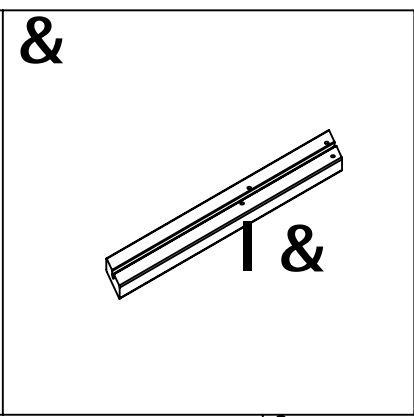
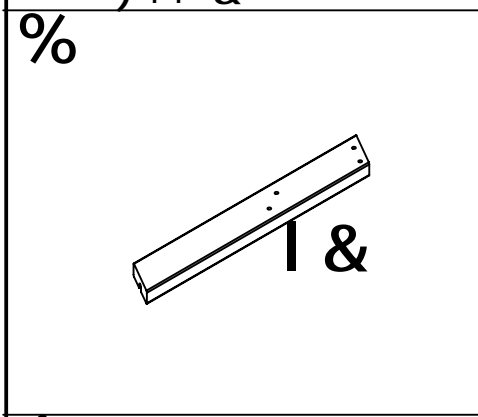
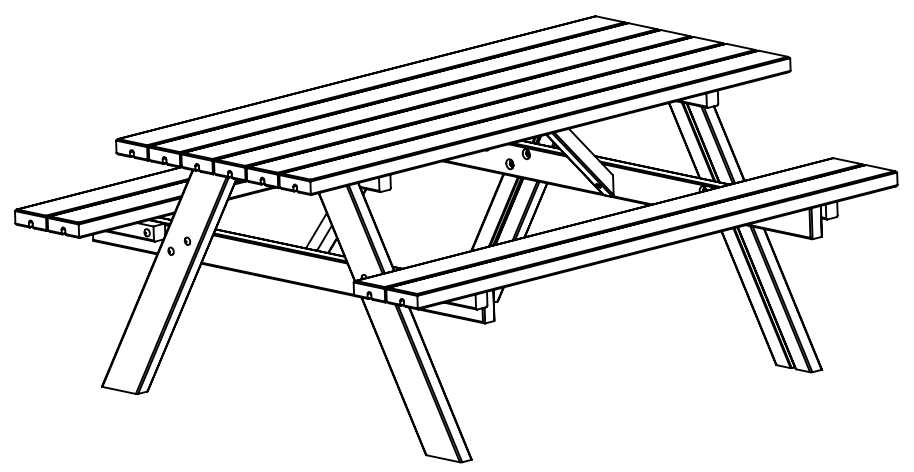
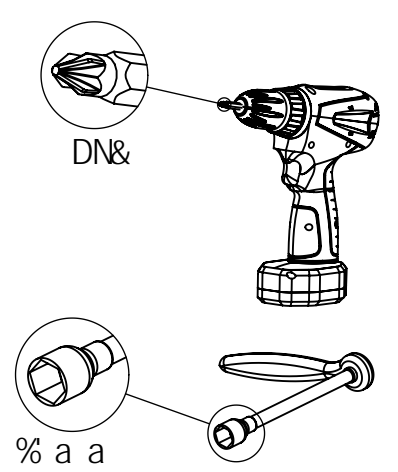


# &)' \$\$\$%

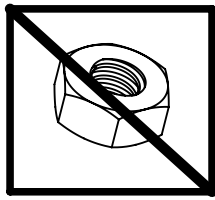
- &)' +, '
- &)' &\$\$
- &)' %)
- &)' \$&%
- &)' ) \* &
- &)' ) \* (
- &)' + ' (
- &)' % \*
- ) + \* &%
- ) + \* ' +
- ) ++ - &



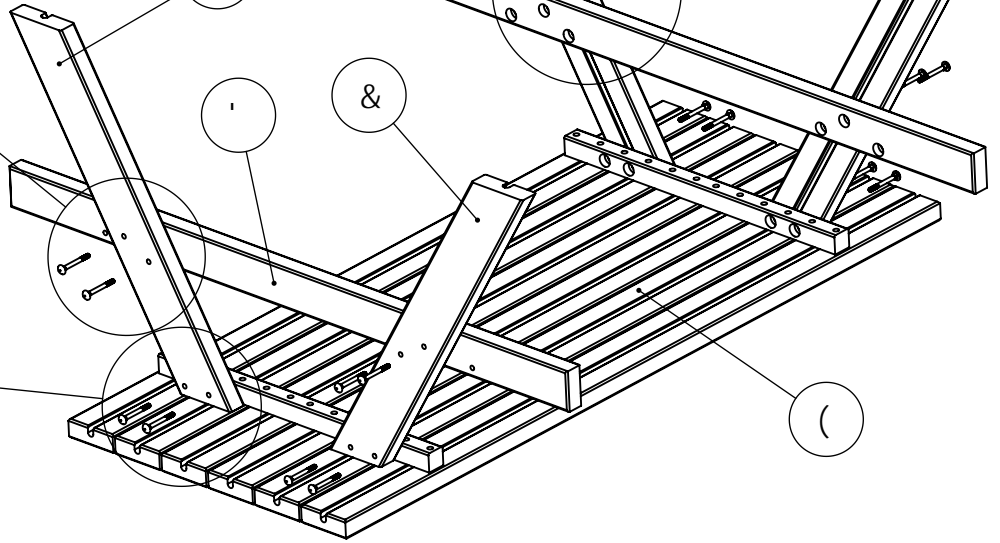
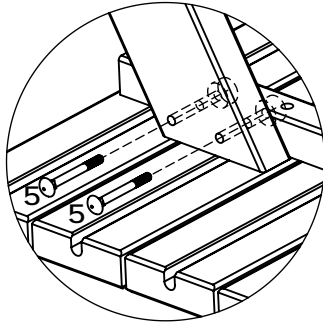
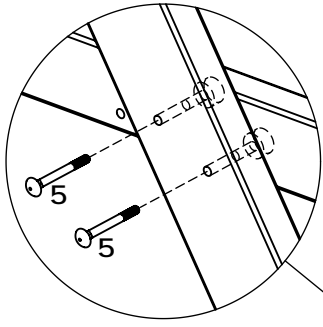
5		A, I, \$	I & \$
6		A,	I & \$
7		A,	I %*
8		A, ~cW_	I (
9		)I) \$	I (



%

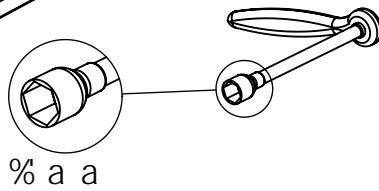
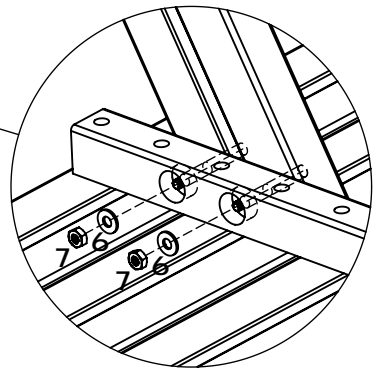
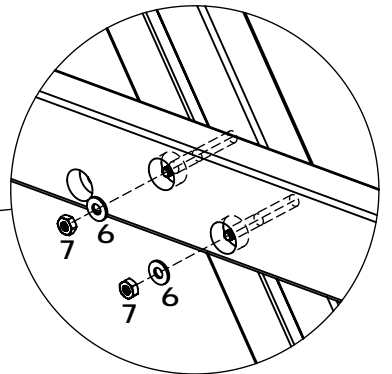
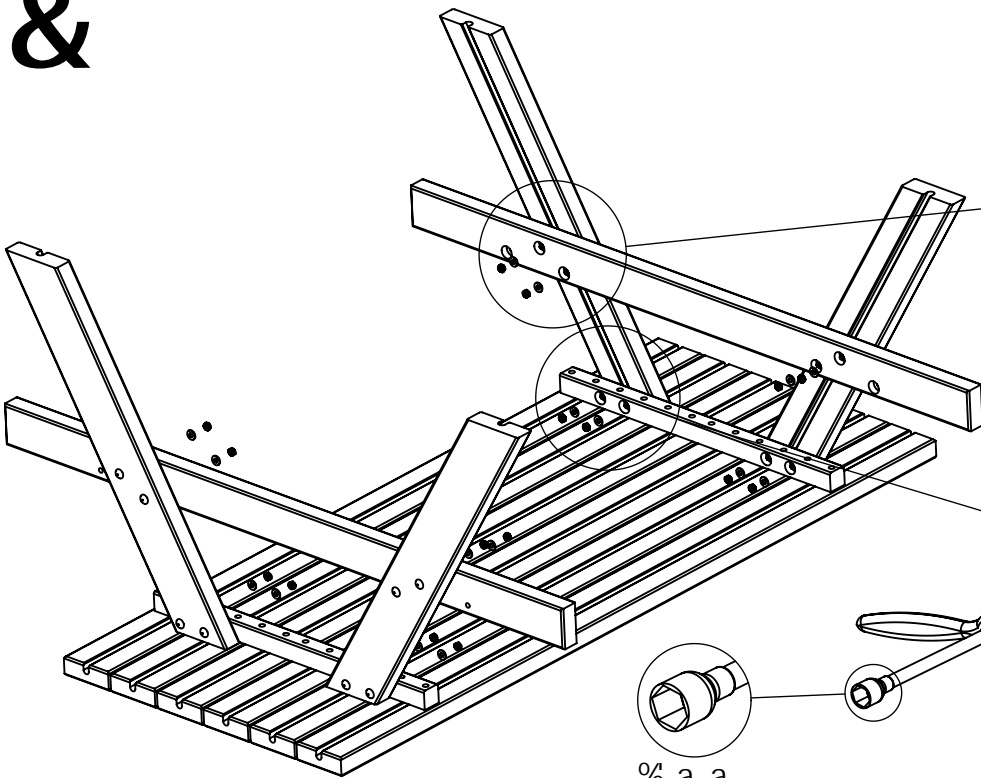


& # +

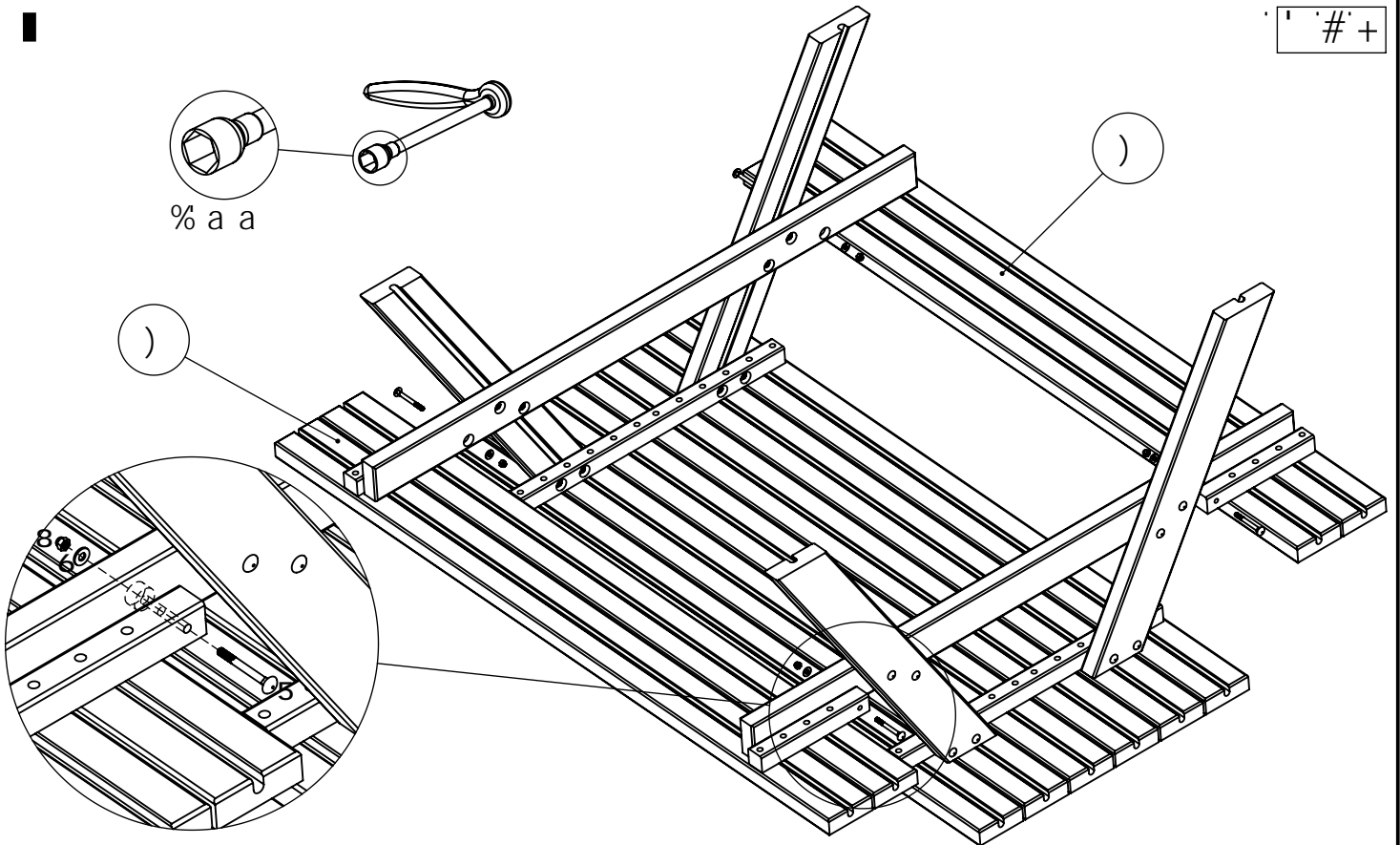


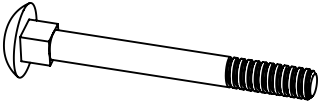


5		A, I, \$	1 %*
---	--	----------	------

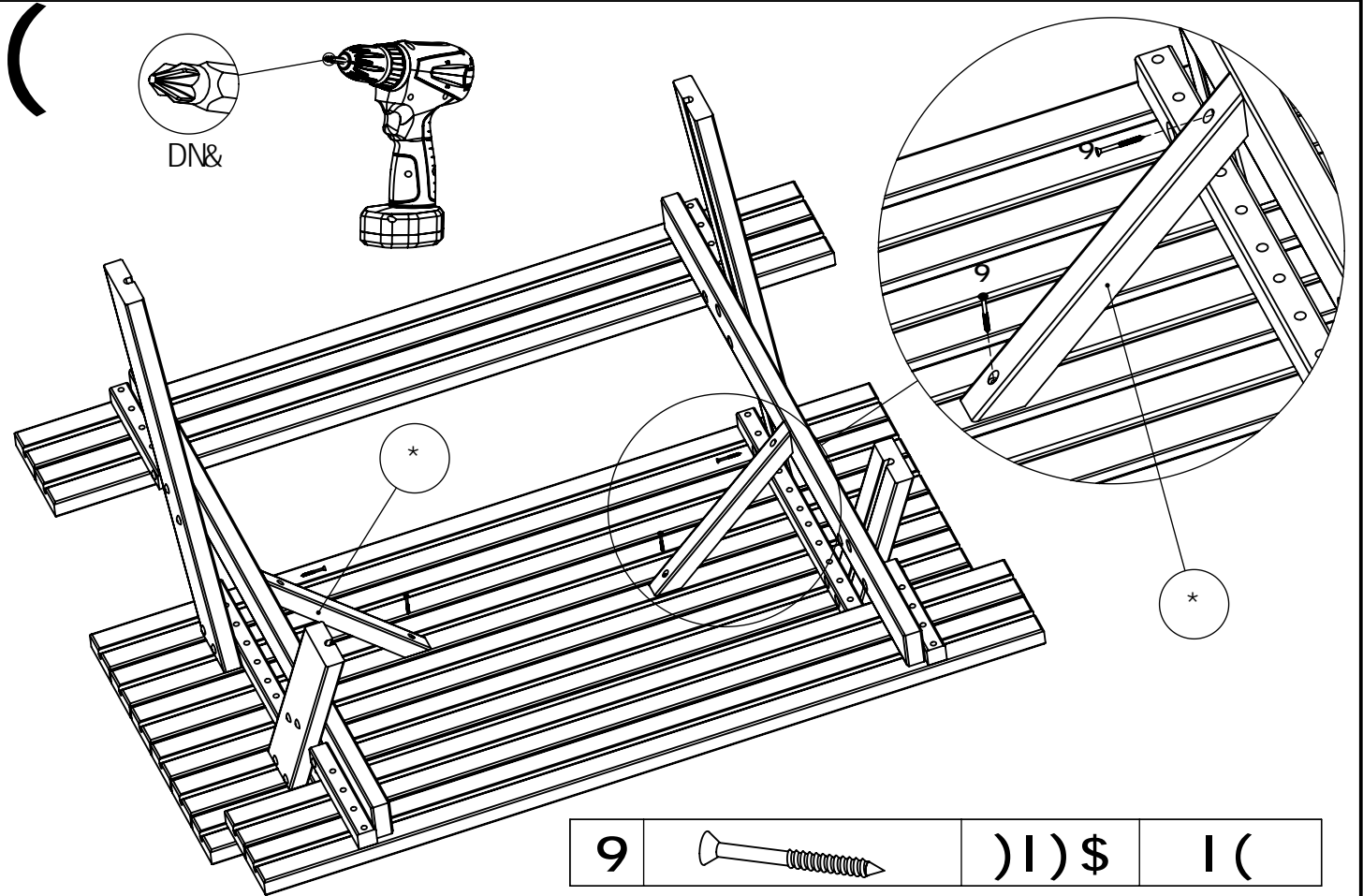
&

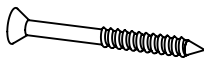


6		A,	1 %*
7		A,	1 %*



5		A, I, \$	1 (
6		A,	1 (
8		A, ~cW	1 (



9		) I) \$	1 (
---	--	---------	-----

U -My U u # @ A  
o 7  
f  
h  
)  
u  
)  
u  
o  
#  
u  
#  
f  
f  
#  
f  
u  
-My  
7  
@  
u  
)  
f  
uk- u- f \ \) # \ Vu @ @ 8 " & # @ Ohk \ ) y # u  
#  
@ # # # ) # ) #  
o  
hk \ u @ j y u V - o  
@ h - o  
@  
u  
h  
v  
@  
=  
@

V  
u  
@  
@  
M  
@  
@  
@  
M  
u  
u  
o  
M  
f  
o  
U  
U  
k  
f  
V  
#  
f  
o  
o  
k  
o  
o

@  
u  
#  
u  
" \  
\  
u  
o u k  
u V ) U h ) # M "  
U  
@  
u  
u  
f  
k  
u  
f  
f  
7  
k  
y  
k  
f  
o  
h  
U  
V  
#  
h  
k  
f  
o  
o

f  
V  
#  
V  
@  
O  
o  
V  
h  
" O O O O  
h  
\ @ uk @ / # \ Vu - V u y V hk \ ) y @ @ # @  
O  
@ ))  
h  
hk \ u @ j y u V - o  
h  
@  
O  
)  
V  
u  
#  
V  
o  
O  
o  
o  
o  
o  
o  
o

o' 0' #  
o' 0' o' #  
O' =  
# )  
h  
t  
o  
o  
v  
o  
o  
U  
O  
@ o' O  
O  
y  
#  
O  
O  
7  
O  
#  
k  
" O  
k  
o  
@  
)

0' 0' #  
" 0' 0' #  
t o' #  
O' #  
# )  
h  
# )  
# )  
# 7  
u  
o  
O  
U  
O  
O  
8  
O  
h  
)-  
t ) o' M h t  
")  
= -My "U"u" # @ k " Q  
o' =  
v ) - = y t h  
" o' h o' h  
8 ) U  
t ) U o' o' " U U  
h u t " o' y " O  
M t 8 t " O  
- " o

h o' h o' M  
8 o' h o' -  
" t h t t  
8 t h 8  
h = U  
= O @ 7 =  
h t h U o  
k o' h u o  
) o' @ h " o' o'  
j 8 y -My t  
- @ @ = t  
" 7 o' 7 )  
@ o = t  
t )  
" = V ) - Q - o' = \ O - ) ' o' - @ " @ - @ h k \ ) y M i - V u = / Q i  
U # # = @  
h t M )) # )) #  
8 h -o ) M t  
h t U h h -o = o  
\ @ M h - o  
t @ h  
" = t  
- h h O h M 7 -  
y h " h t h u @ 7 -  
" U h t u  
k o' = h h o' 7 u  
t t u v 7 u  
h = 7 - O M ) =  
o t = h h t t  
t o' h o' 7 h t  
o = @ 7 h  
" h t t t K O ) =  
t t t h K )  
h o' U t h K )  
" h t K O ) = t t  
8 t t K O ) = h t

= = @ h )  
\ h o' t 7 o'  
7  
" h o' o' 7  
\ U " O o' 7 7  
" ) " o' o' 7 7 u 7  
= - o' ) 8 k h @ O  
U h k " ) o'  
= -  
- ) h U 7 )  
o' U t ) o' K  
" t  
O ) = =  
t U t  
) o' \ o'  
t h t h ) h  
7 o'  
o' o' U h 8 \ = 7  
o' o' @ h 8 = o'  
k = 7 = u h o' 7  
K 7 = 8 o' 8 7  
O o' 8 7  
" =  
= V - k = U  
- - t O u k = h  
o' o' u o' h  
= h u o' o' h y h  
t o' o' t 7 O  
k \ = = 7 \ =  
\ o' = o' 7 \ =  
o' o' h u M @  
\ = =  
@  
M



# #  
))  
h -o  
h u -o  
@ K K K  
U K  
t  
M  
t  
r  
V u  
K  
K  
K K  
@ @  
K K  
K K  
K K  
U K K  
@  
@ U  
t t  
h U h  
y y  
K K  
O h  
h h  
K M K

y  
t K  
M  
M  
h  
M u u  
M  
M @  
O  
k  
O  
t  
o  
K u  
o  
o M  
-  
t k  
o  
r o r  
o  
u  
)  
)  
V  
U  
@  
"  
O  
@  
@  
M  
K  
h  
K  
@  
y  
)  
K  
8  
8  
K