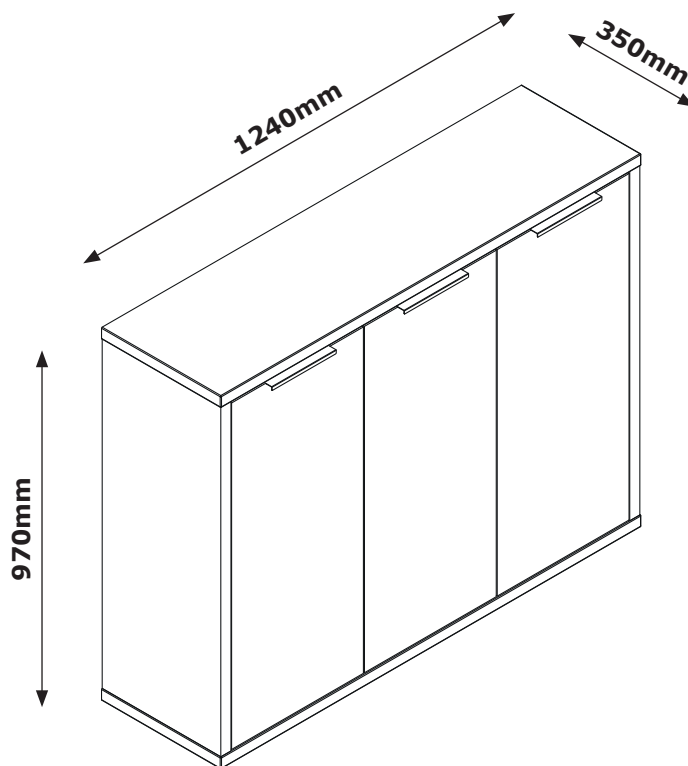
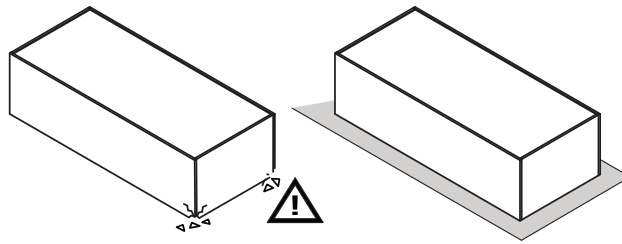
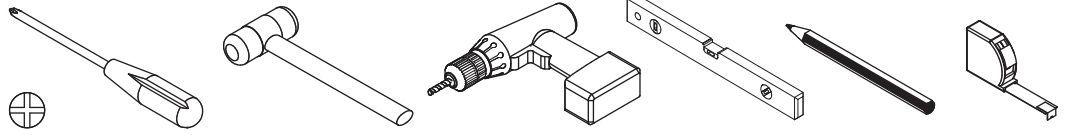
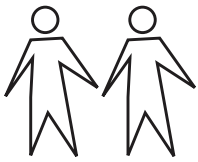


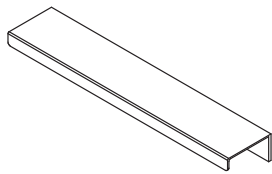
# BS7581K76604



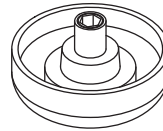
QF5939-1



**BU5152**

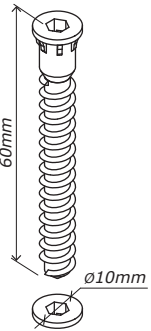


**M147**  
x3

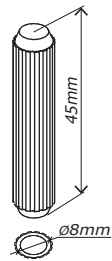


**P37**  
x4

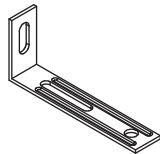
**BU4823**



**V57**  
x6



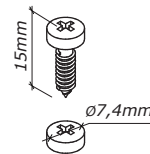
**H325**  
x12



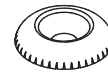
**H185**  
x2



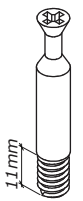
**H129**  
x4



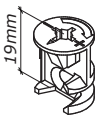
**V81**  
x4



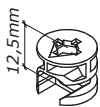
**H289**  
x3



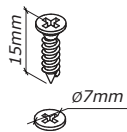
**T28**  
x6



**T97**  
x4



**T7**  
x2



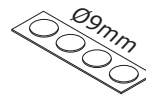
**V5**  
x25



**H54**  
x6



**R40**  
x32



**G187**  
x6

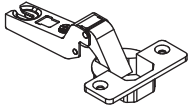


**H113**  
x6

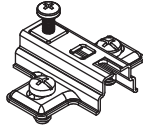


**H2**  
x16

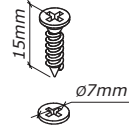
**BU3649**



**C55**  
x4

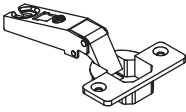


**B27**  
x4

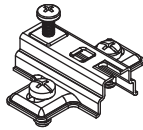


**V5**  
x8

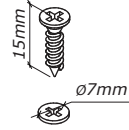
**BU4951**



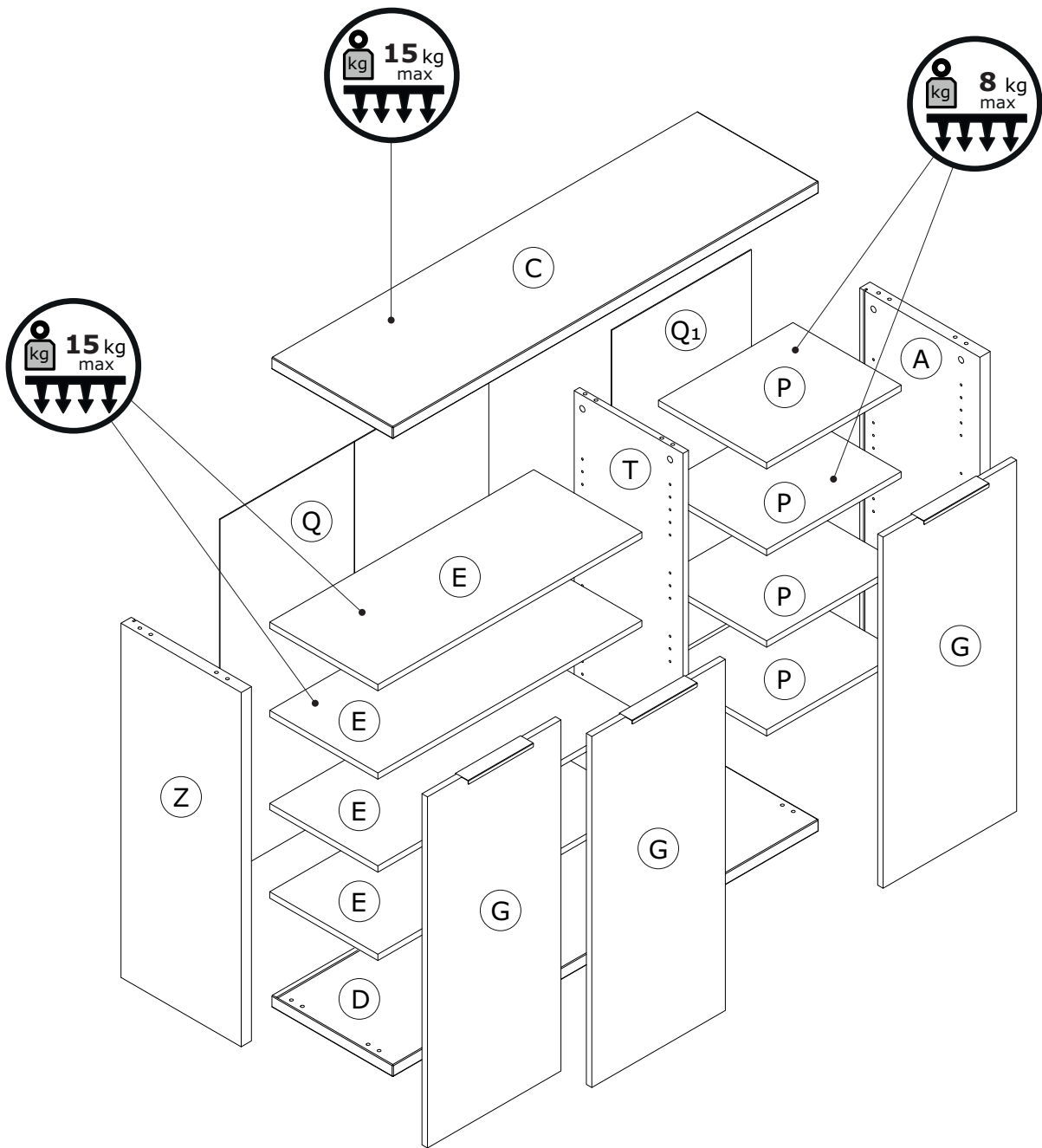
**C66**  
x2

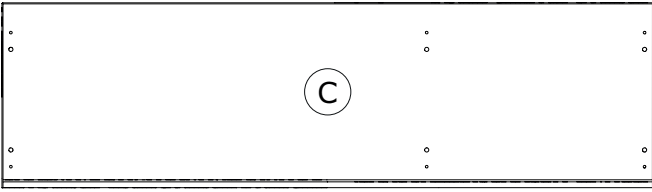


**B27**  
x2

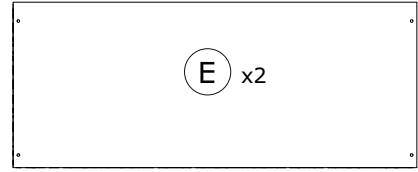


**V5**  
x4

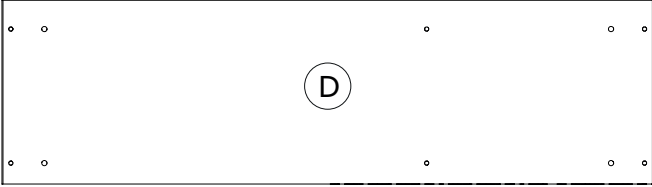




**CA3951**  
1244x353x30mm

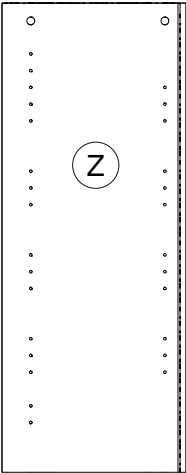


**PI7558**  
771x316x16mm

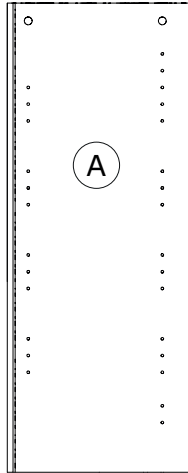


**BA2421**  
1244x353x30mm

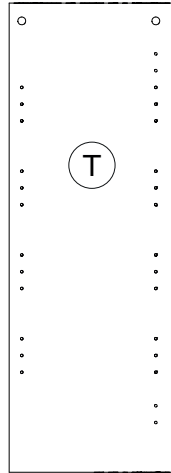
**BOX 1/3**



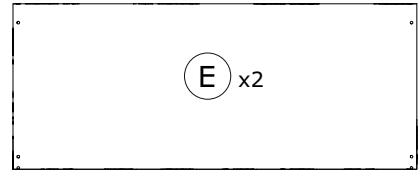
**FI9434**  
896x351x30mm



**FI9435**  
896x351x30mm

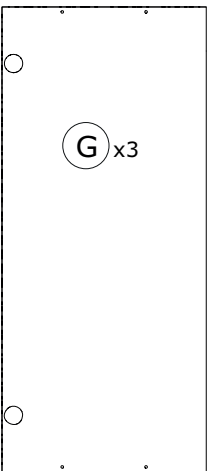


**TR2500**  
896x318x16mm

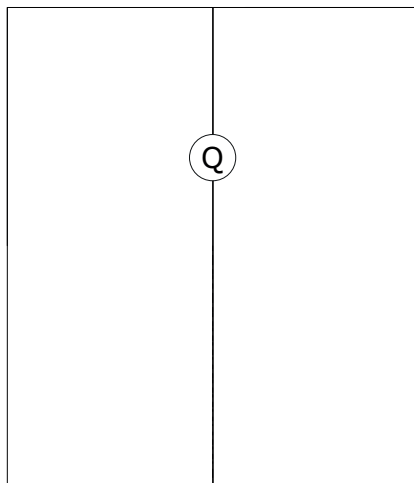


**PI7558**  
771x316x16mm

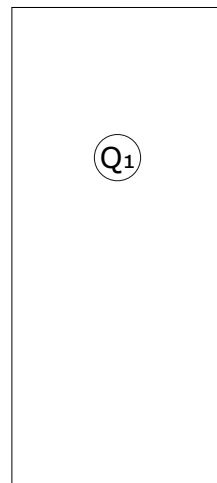
**BOX 2/3**



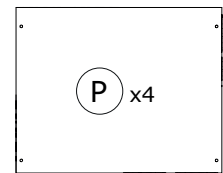
**AN3199**  
888x390x16mm



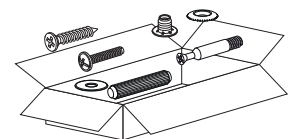
**SH3783**  
910x785x2mm



**SH3782**  
910x408x2mm



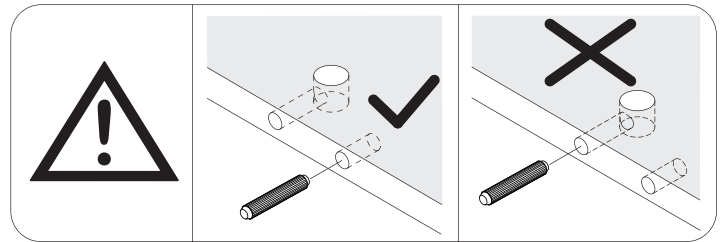
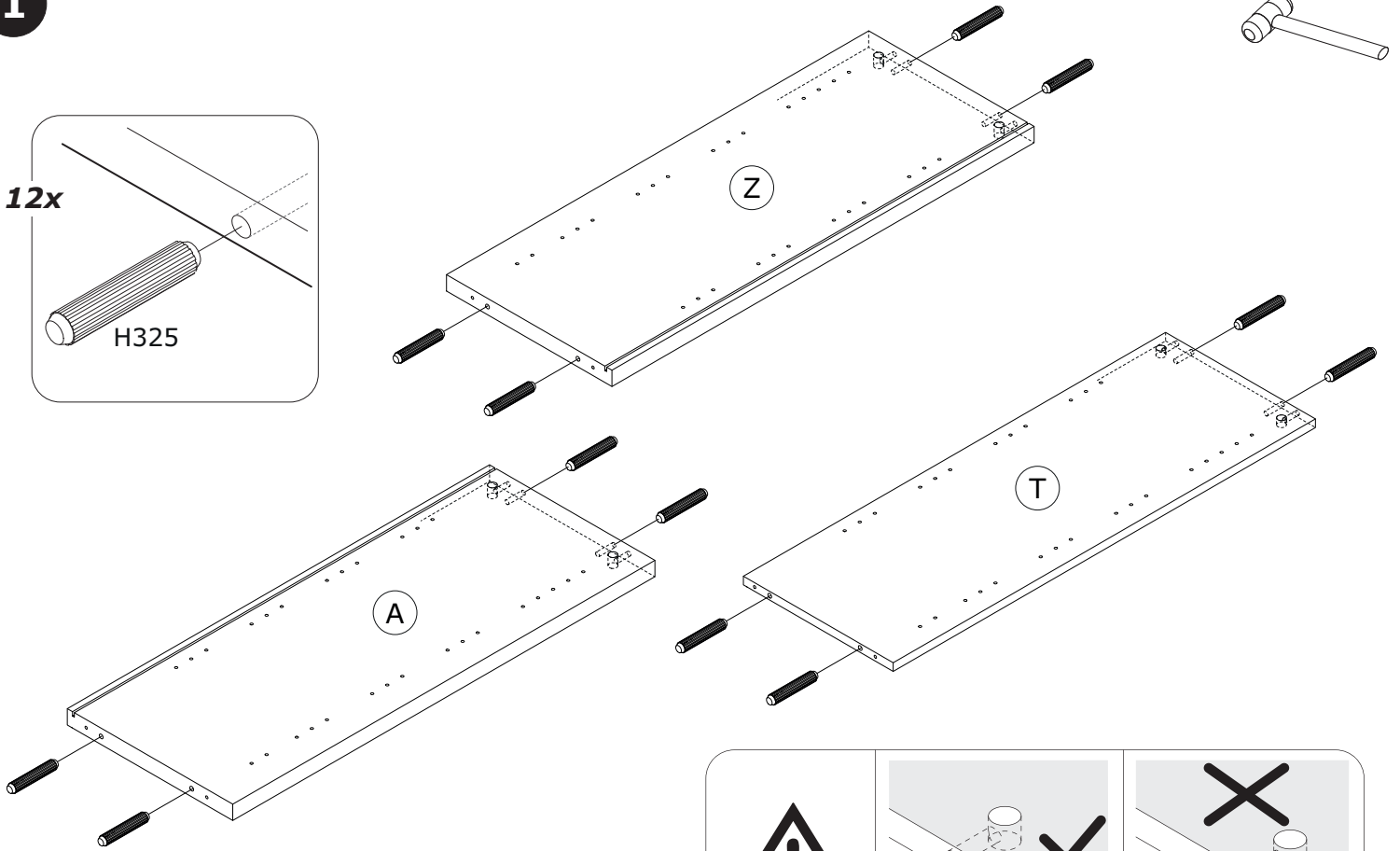
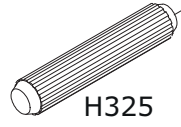
**PI7559**  
393x316x16mm



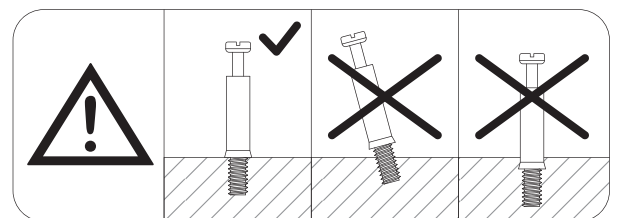
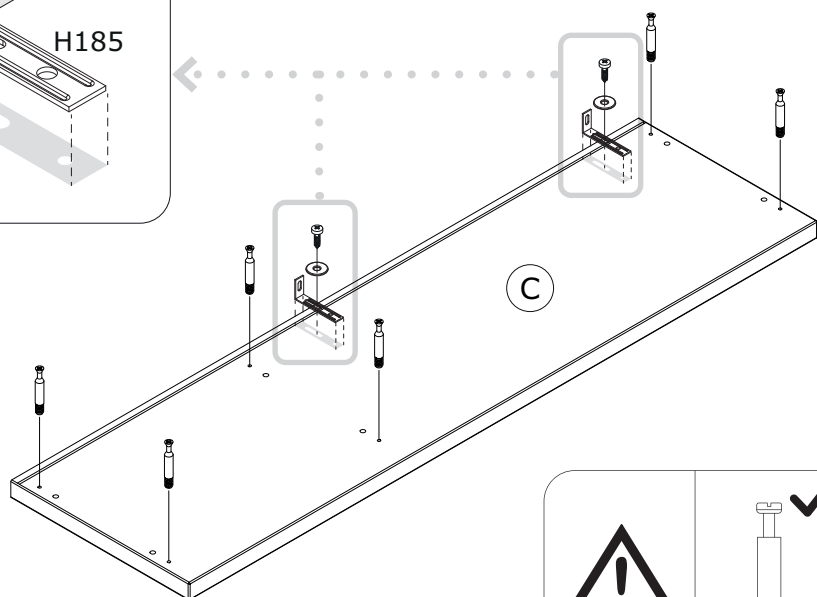
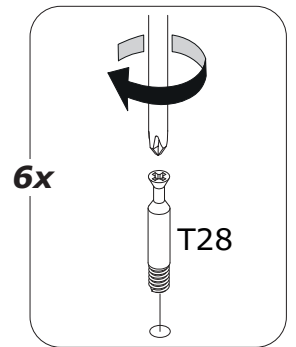
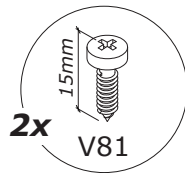
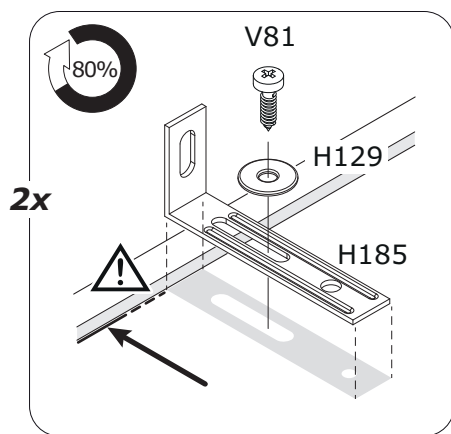
**BOX 3/3**

1

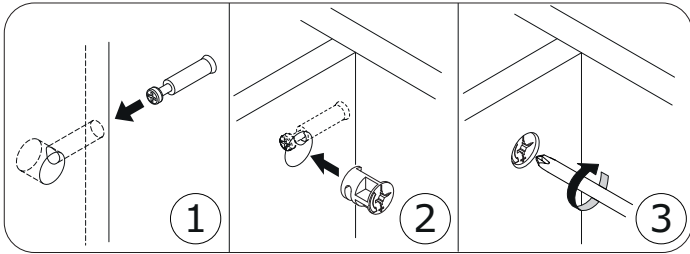
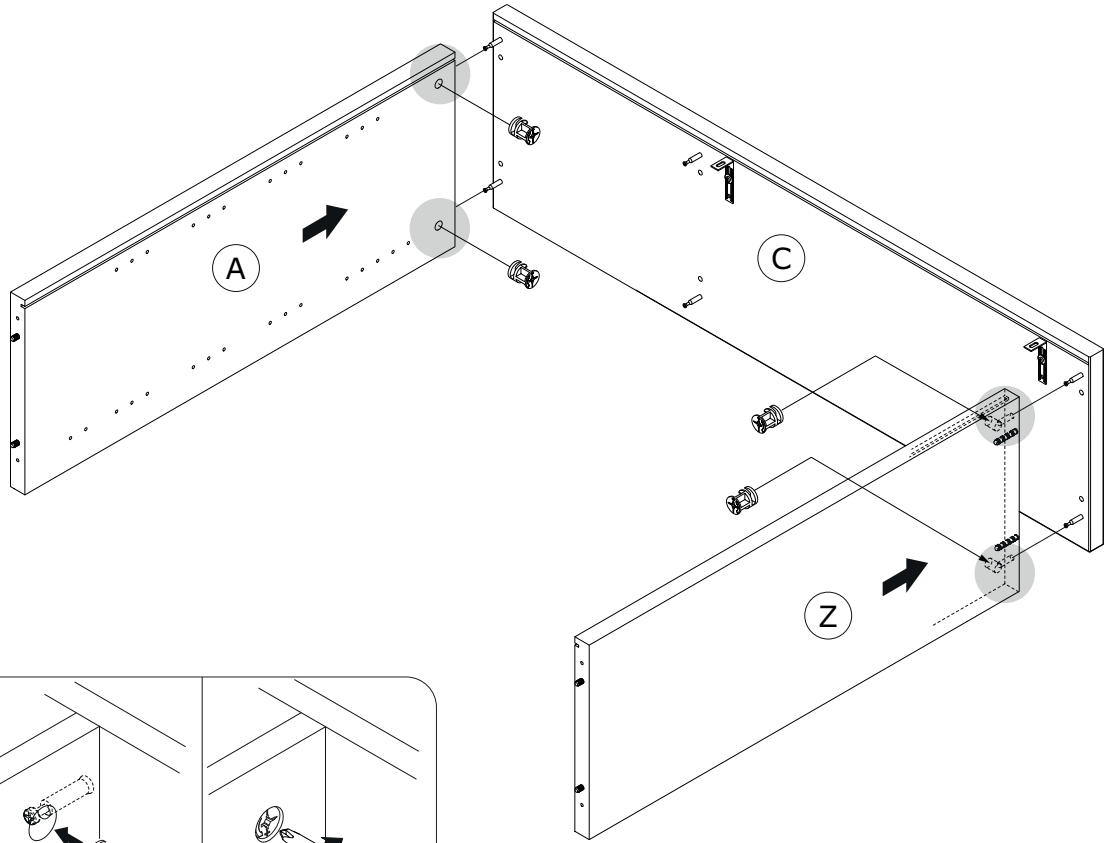
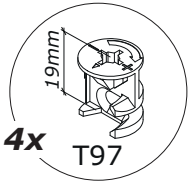
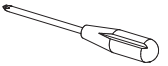
12x



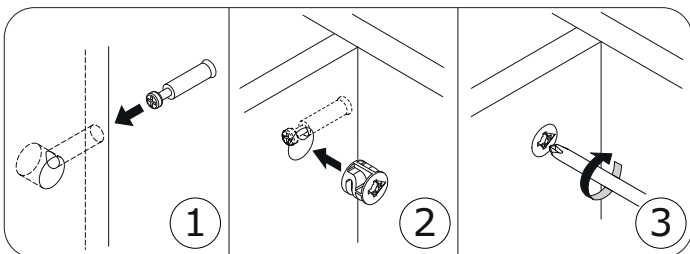
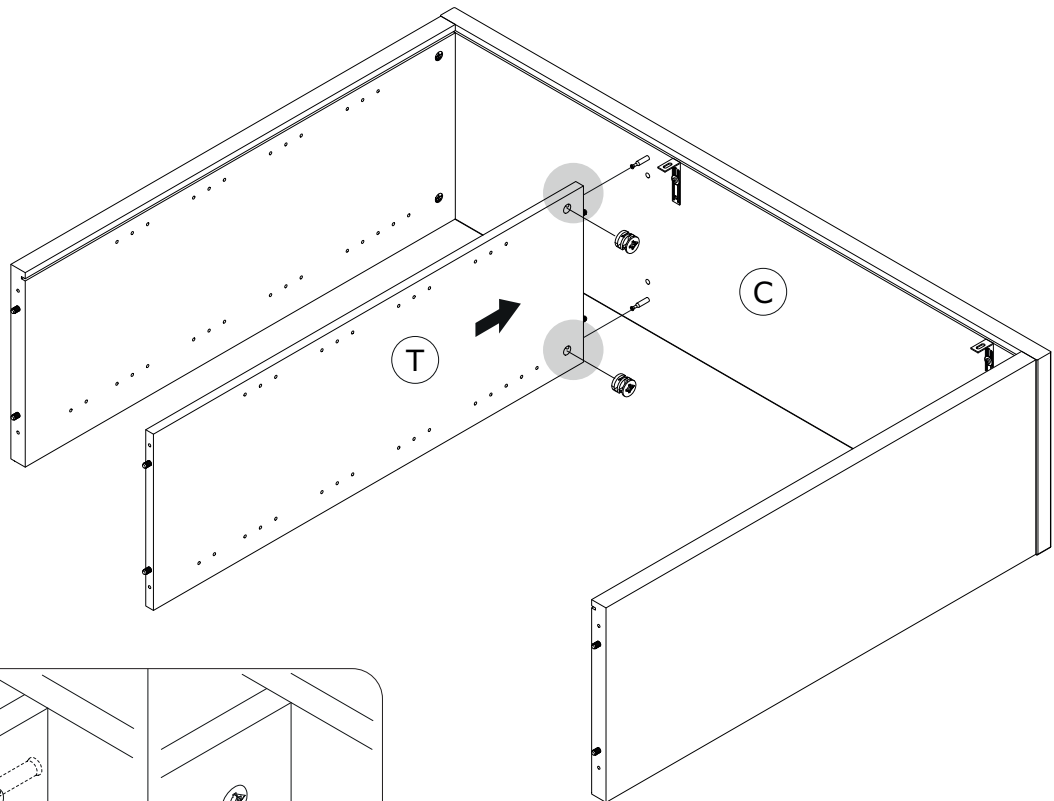
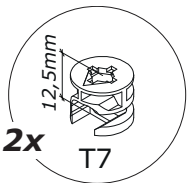
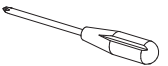
2



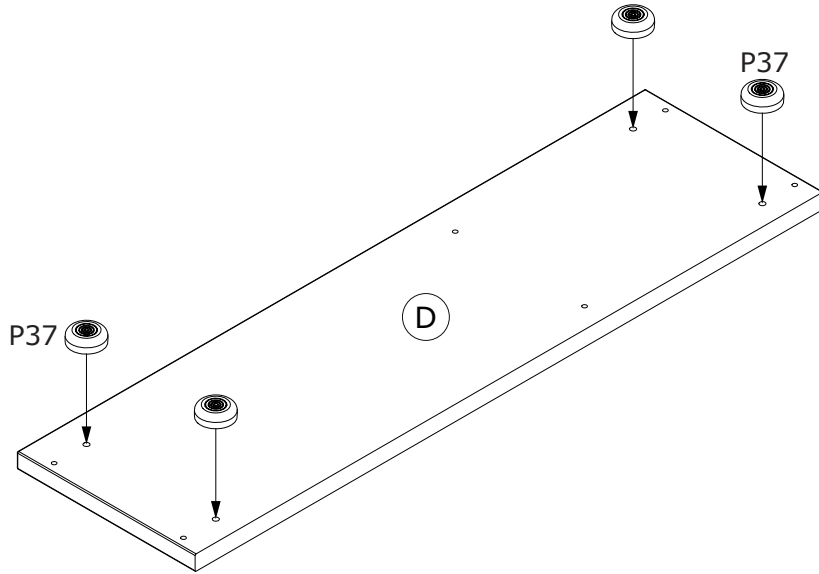
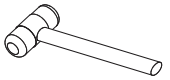
3



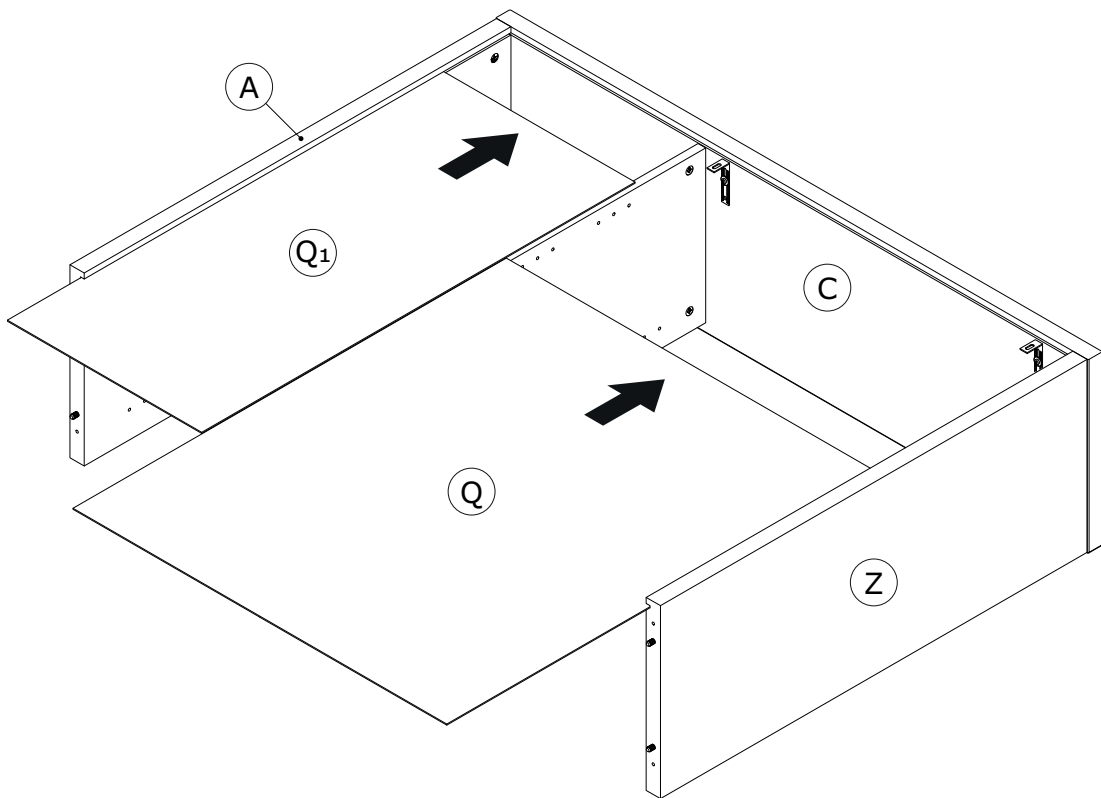
4



5

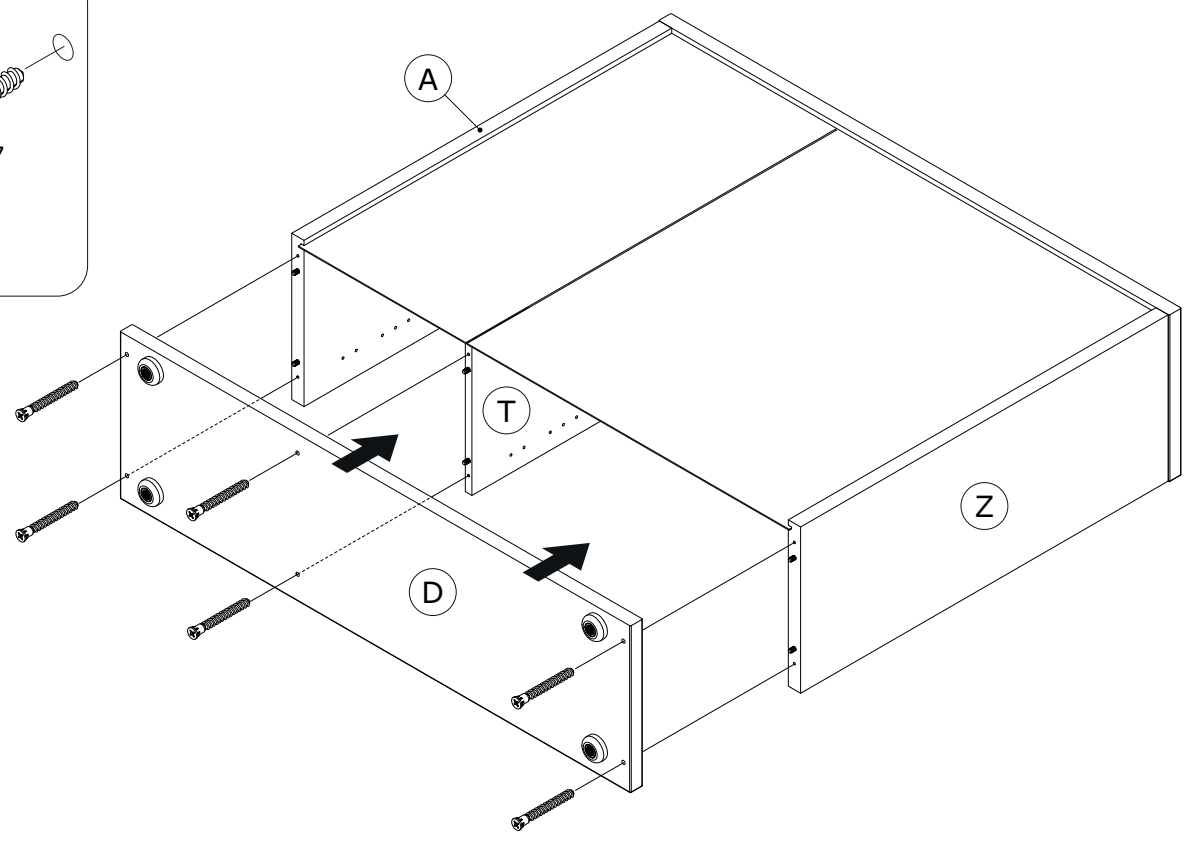
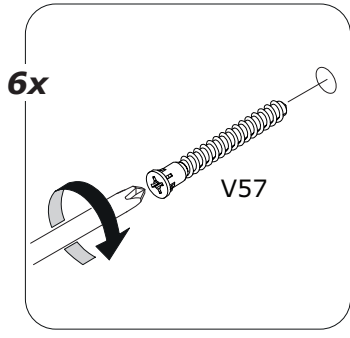
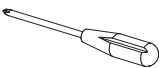


6

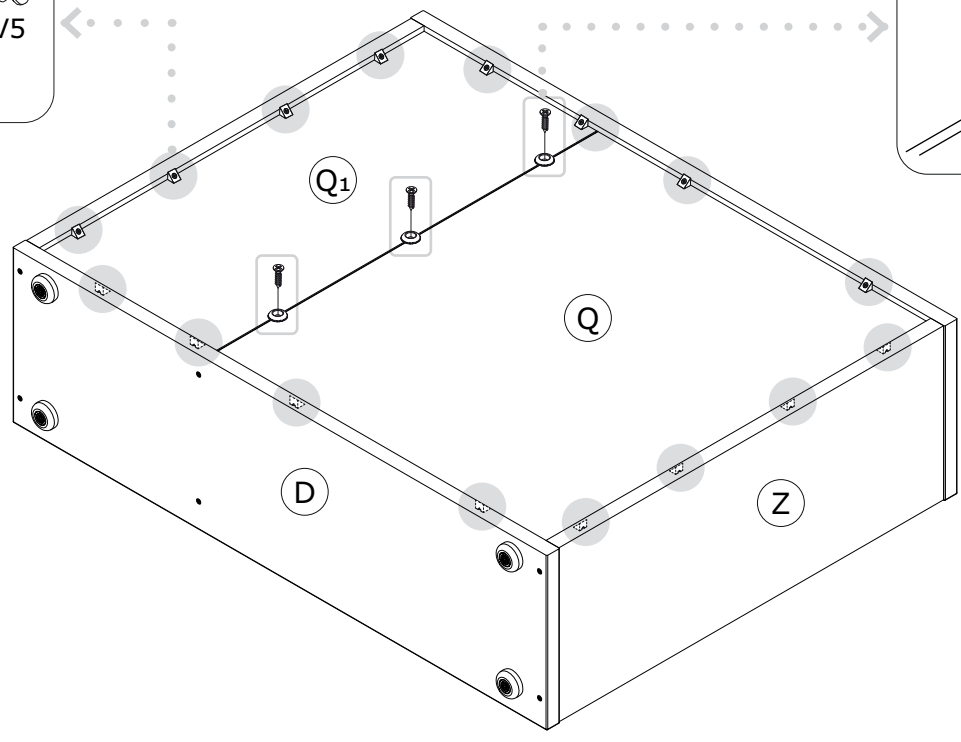
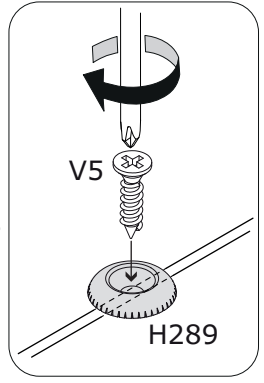
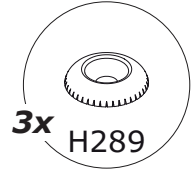
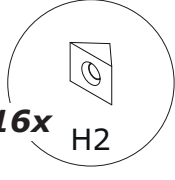
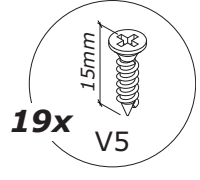
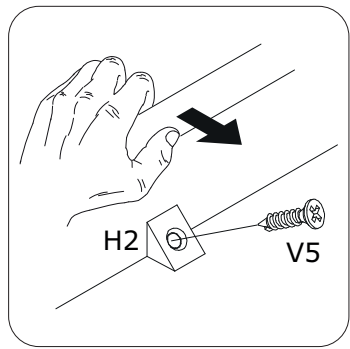
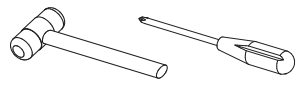




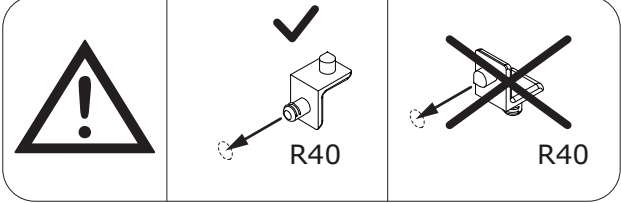
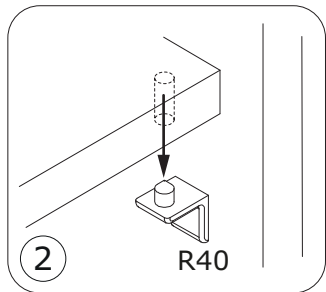
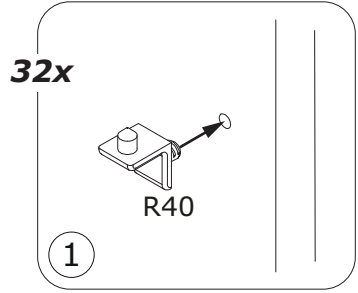
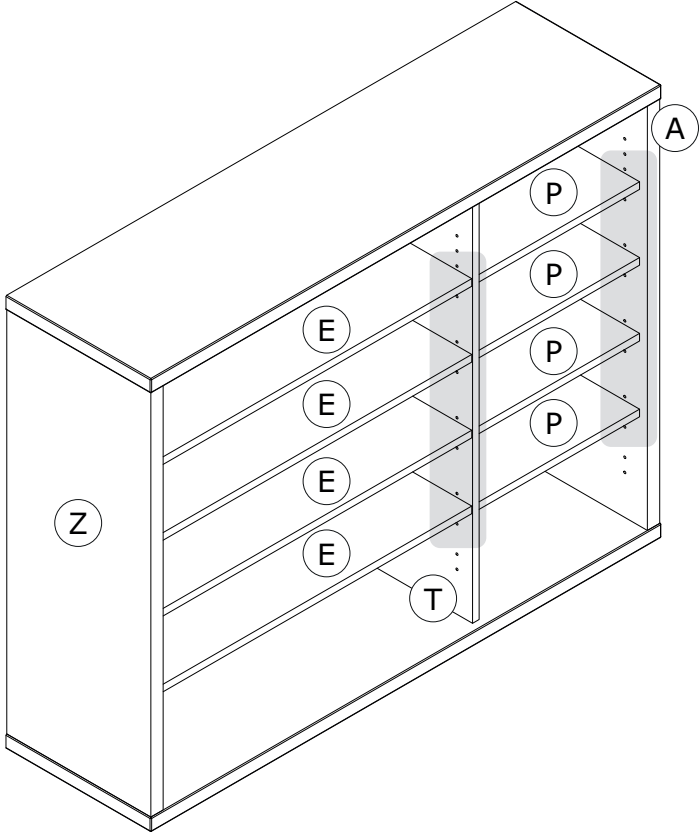
7



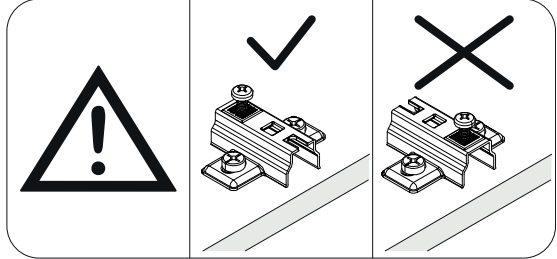
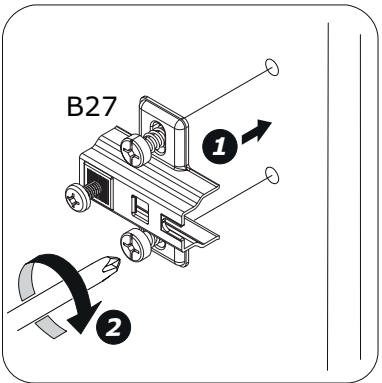
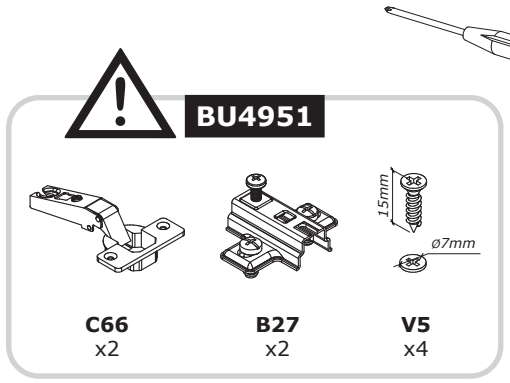
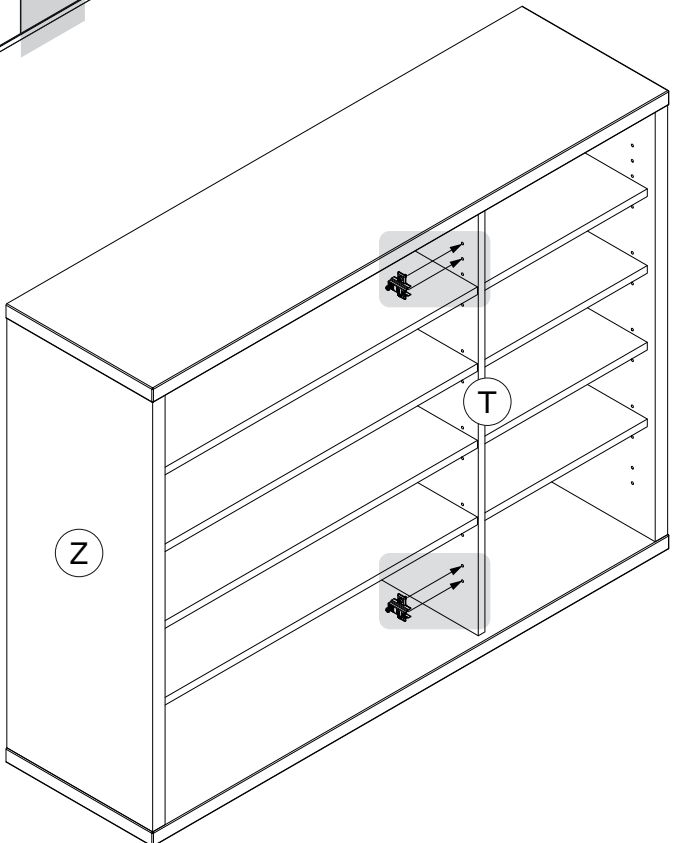
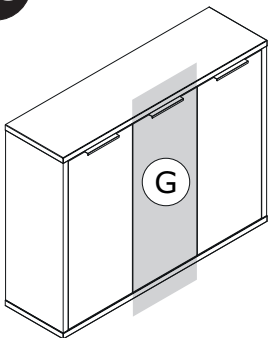
8



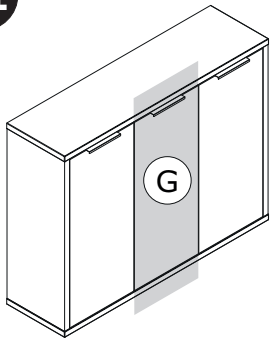
9



10



11

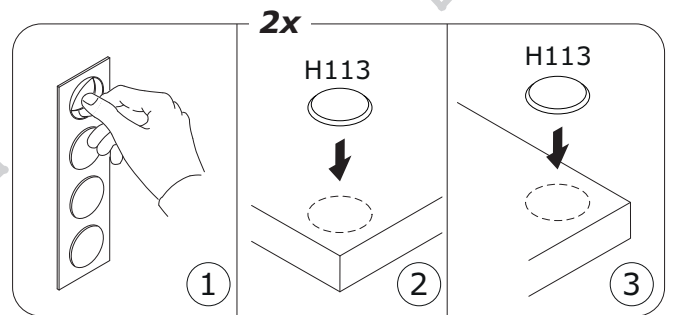
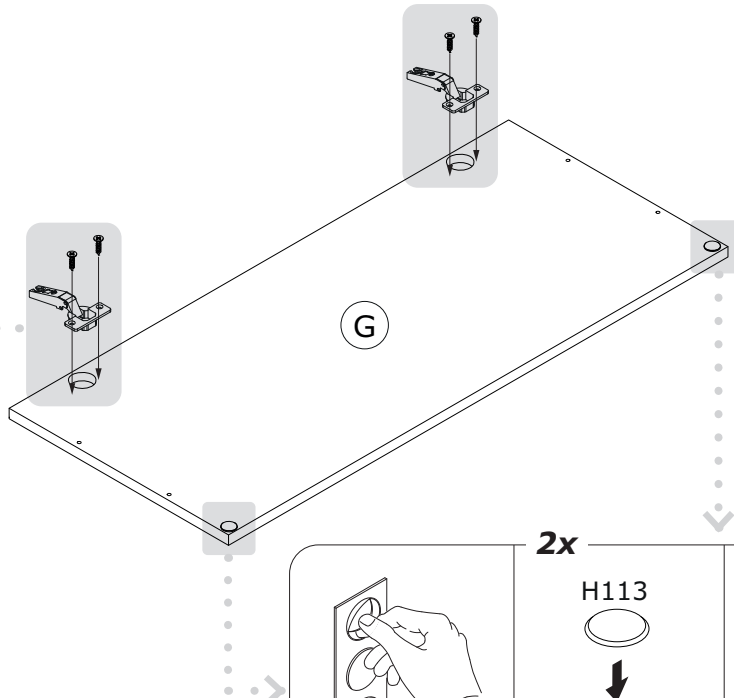
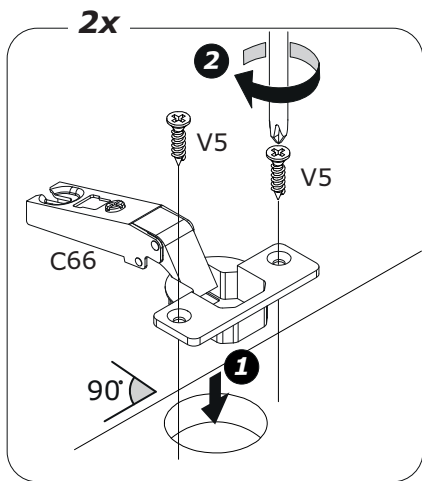
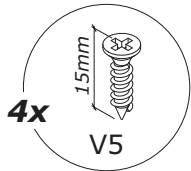


**BU4951**

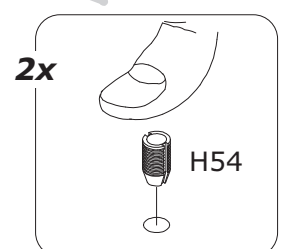
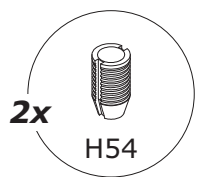
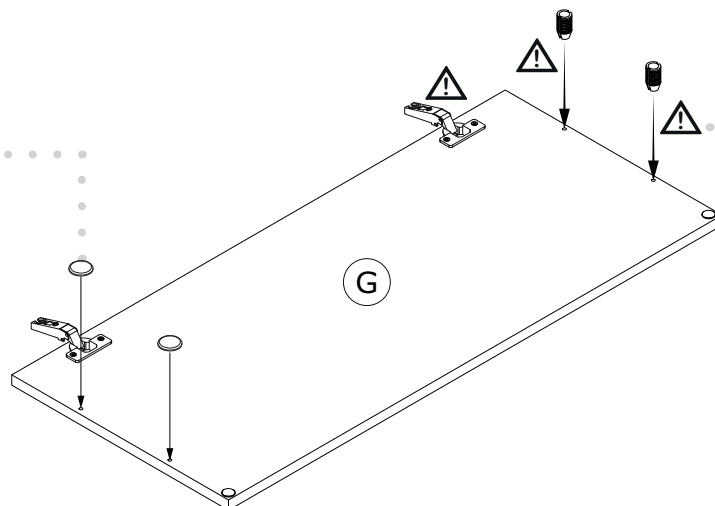
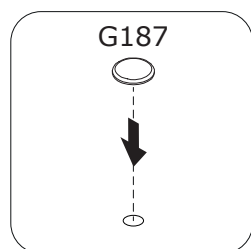
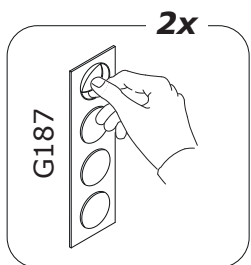
**C66**  
x2

**B27**  
x2

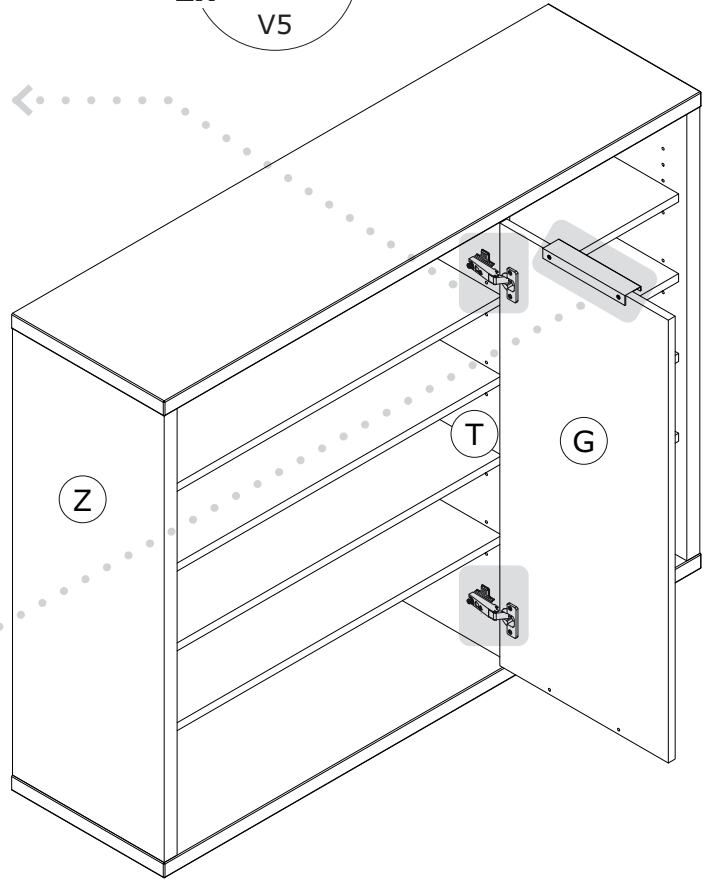
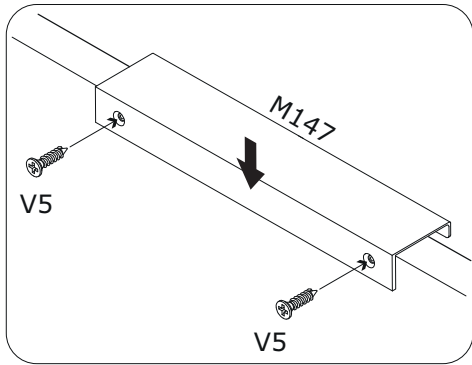
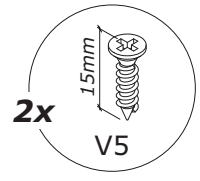
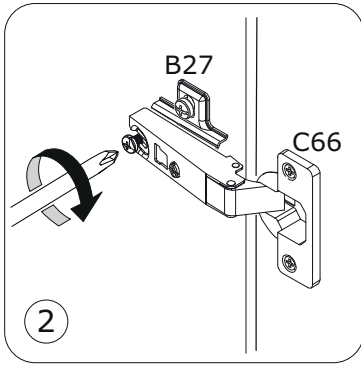
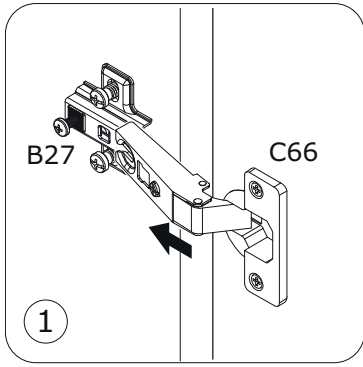
**V5**  
x4



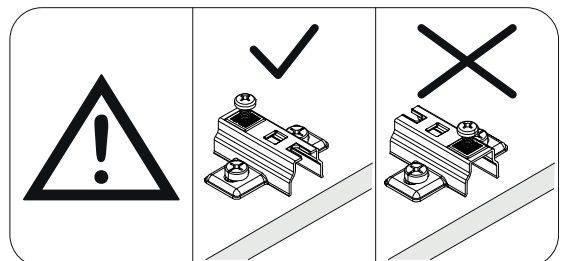
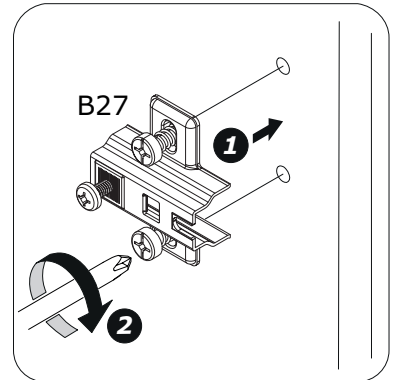
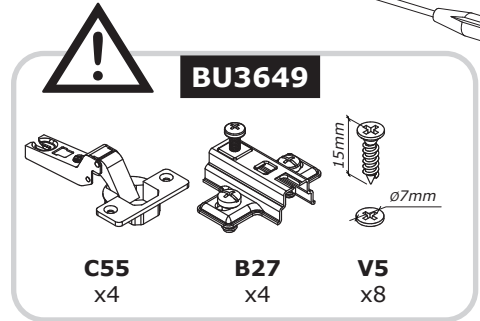
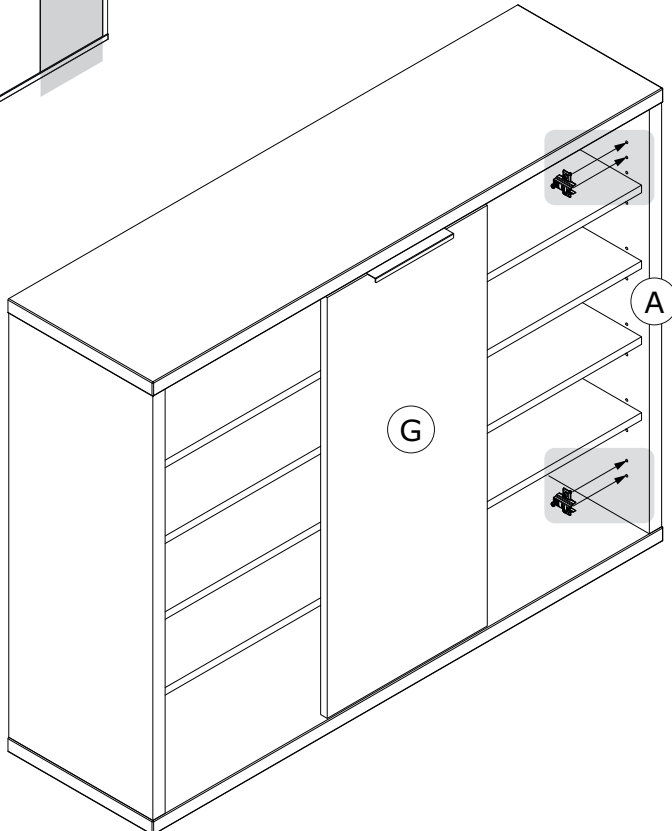
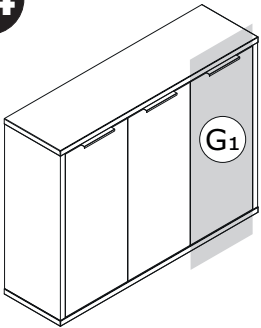
12



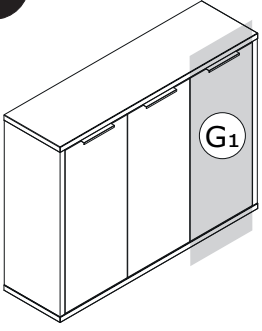
13



14



15



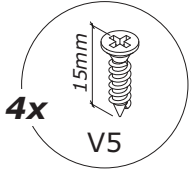
**BU3649**

**C55**  
x4

**B27**  
x4

**V5**  
x8

1.5mm  
Ø7mm



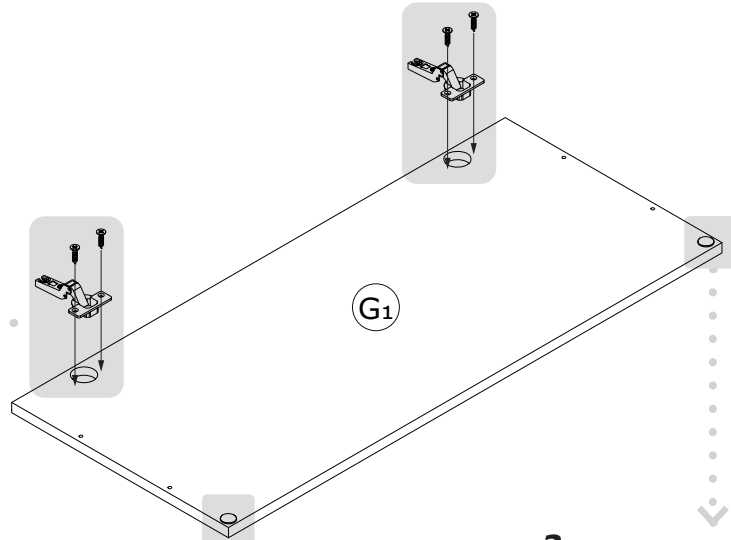
2x

90°

V5

V5

C55



2x

H13

H13

1

2

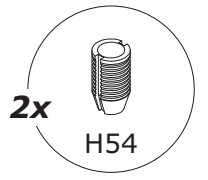
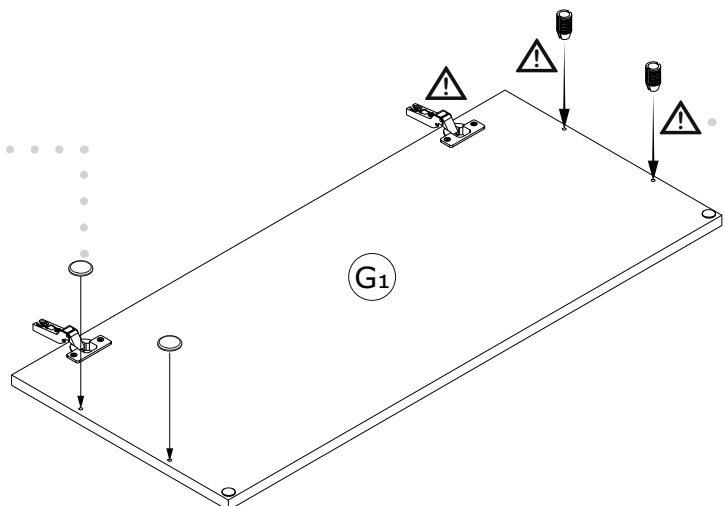
3

16

2x

G187

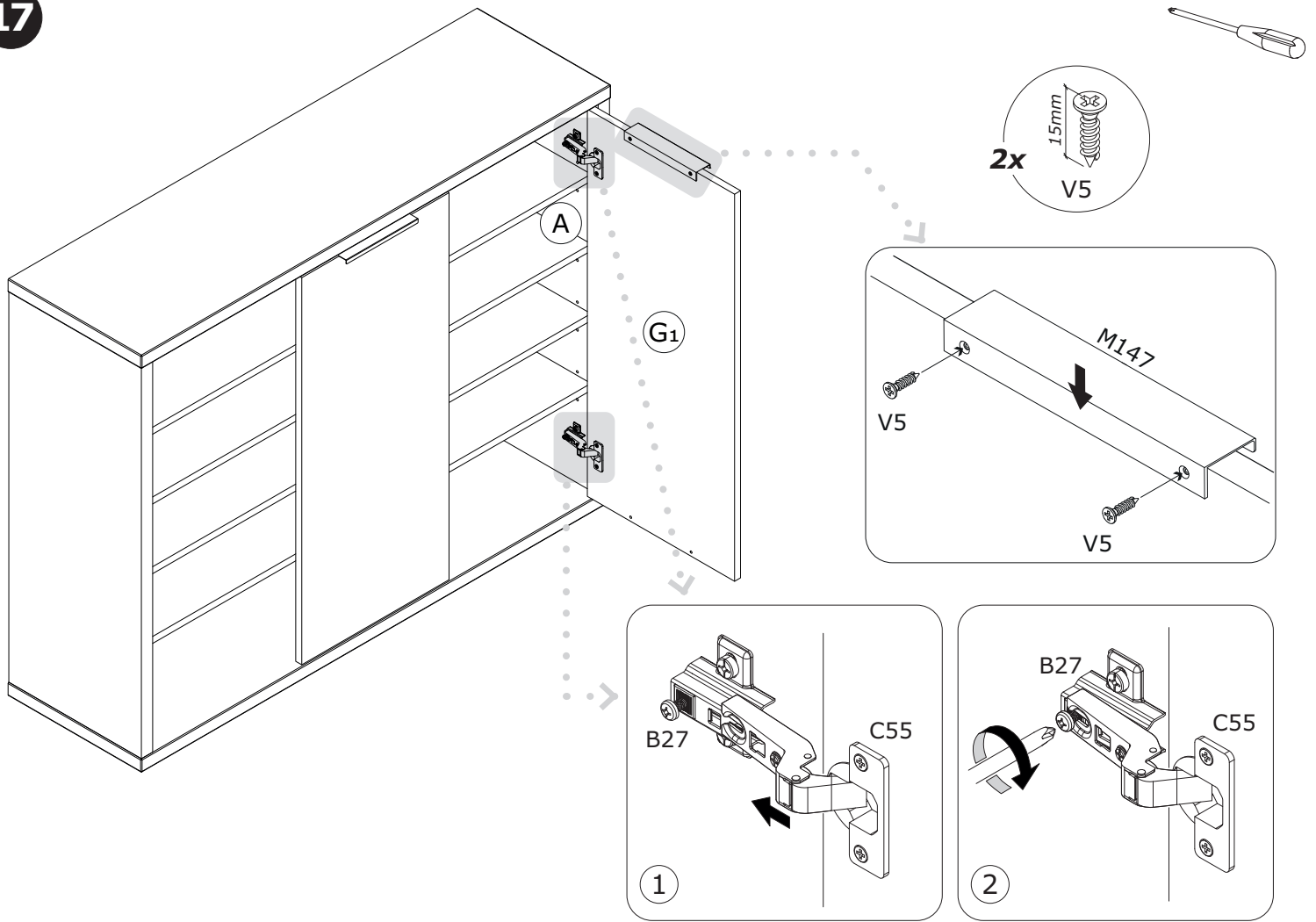
G187



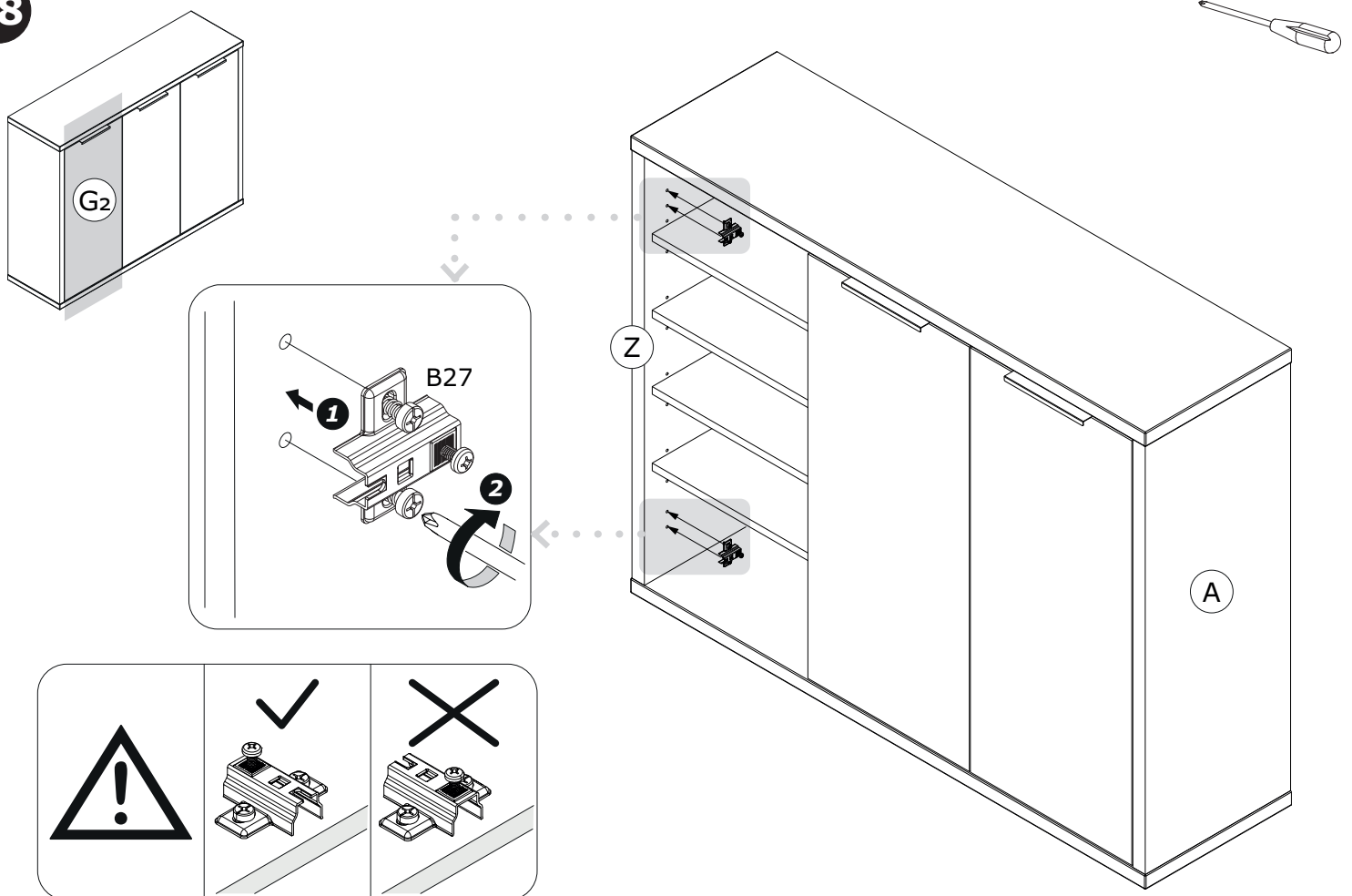
2x

H54

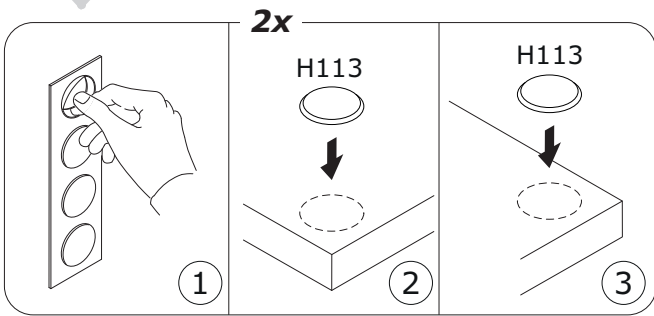
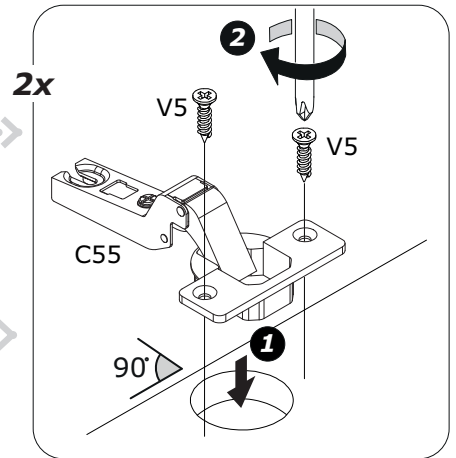
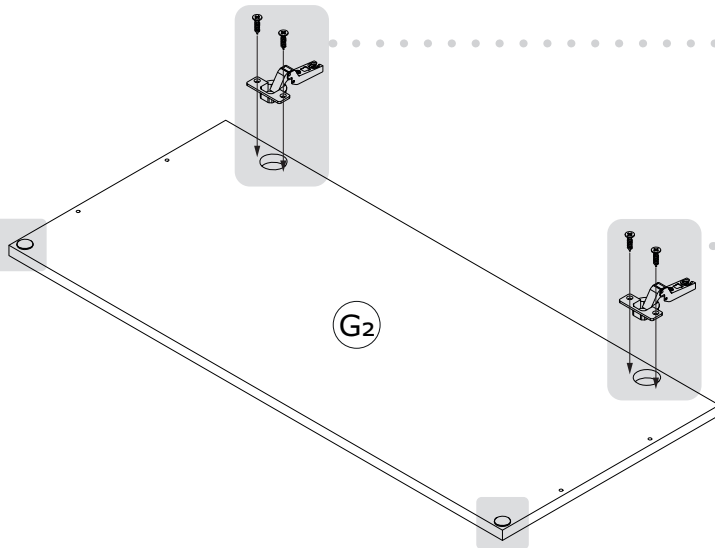
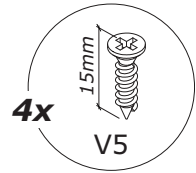
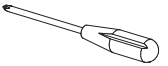
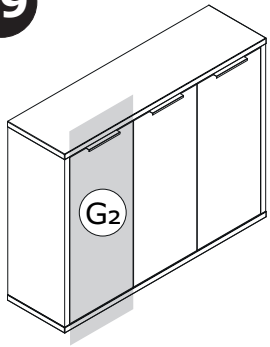
17



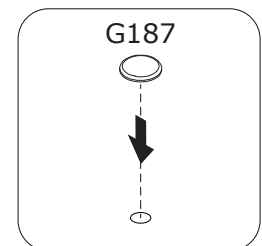
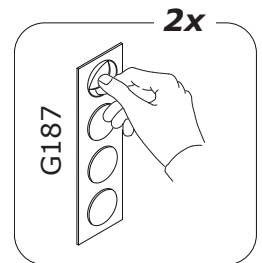
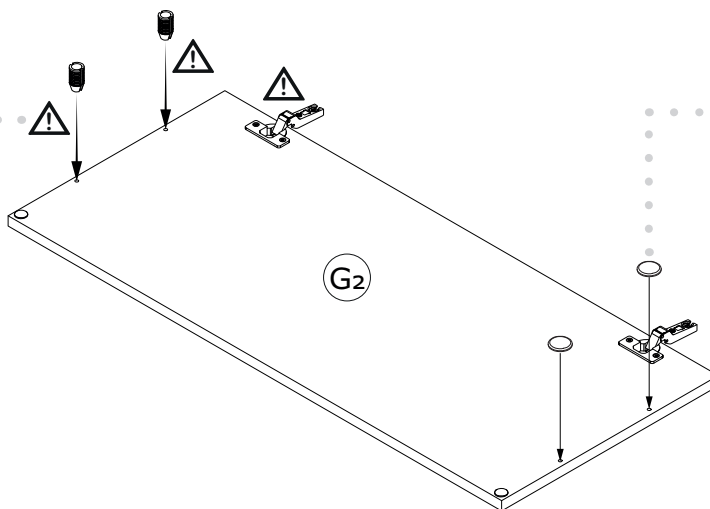
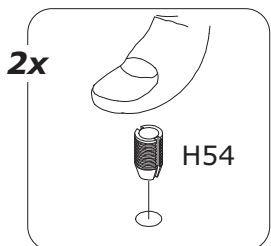
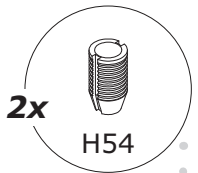
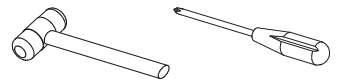
18



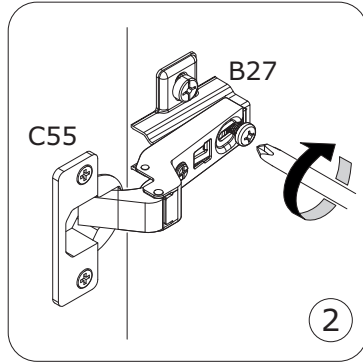
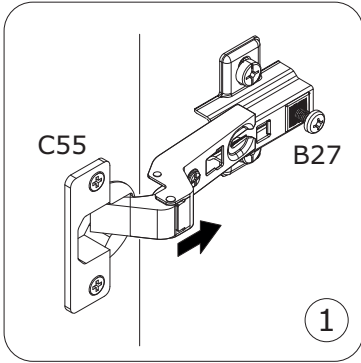
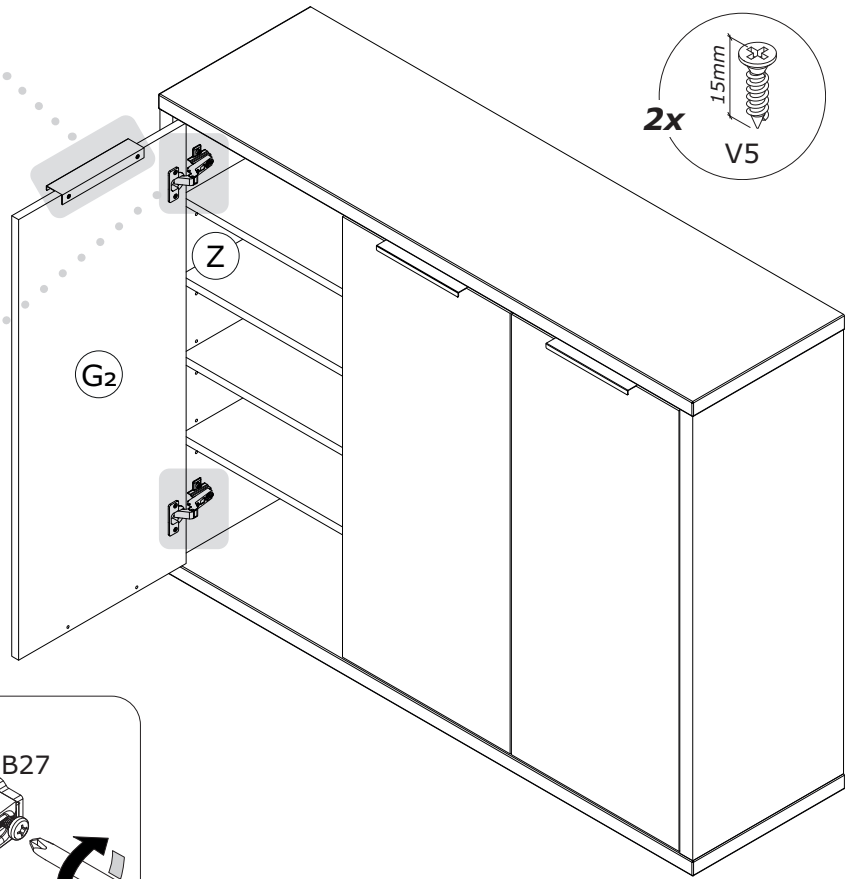
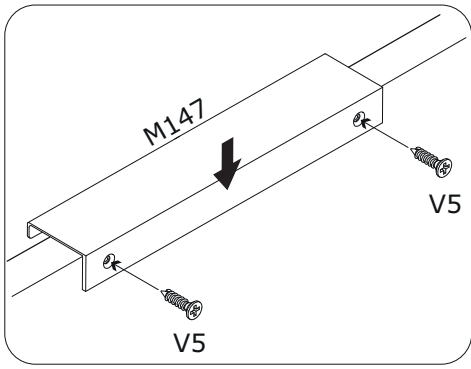
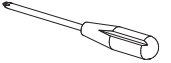
19



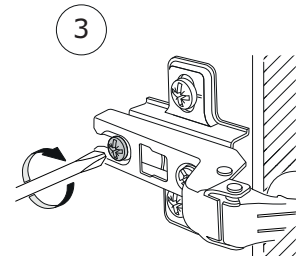
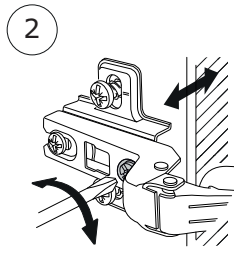
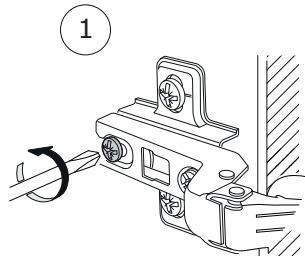
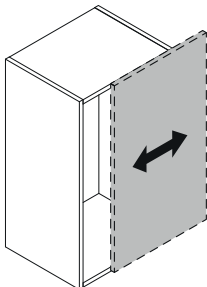
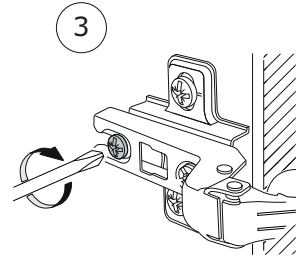
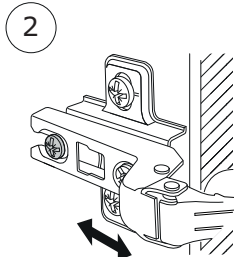
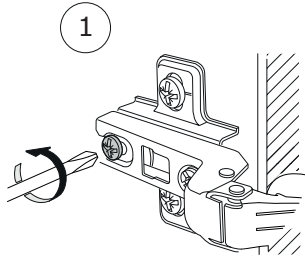
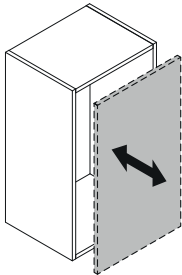
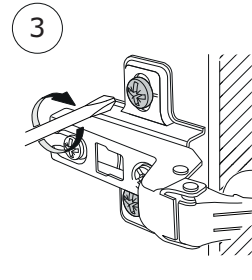
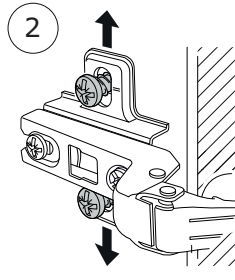
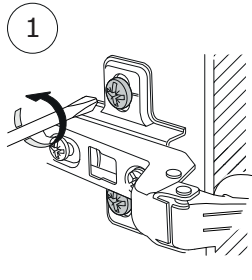
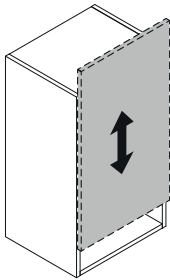
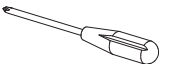
20



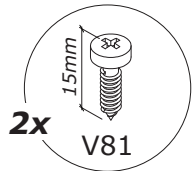
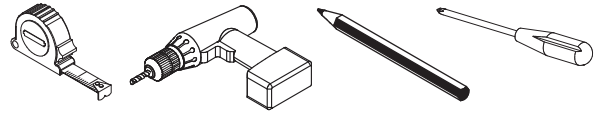
21



22







2x

V81

