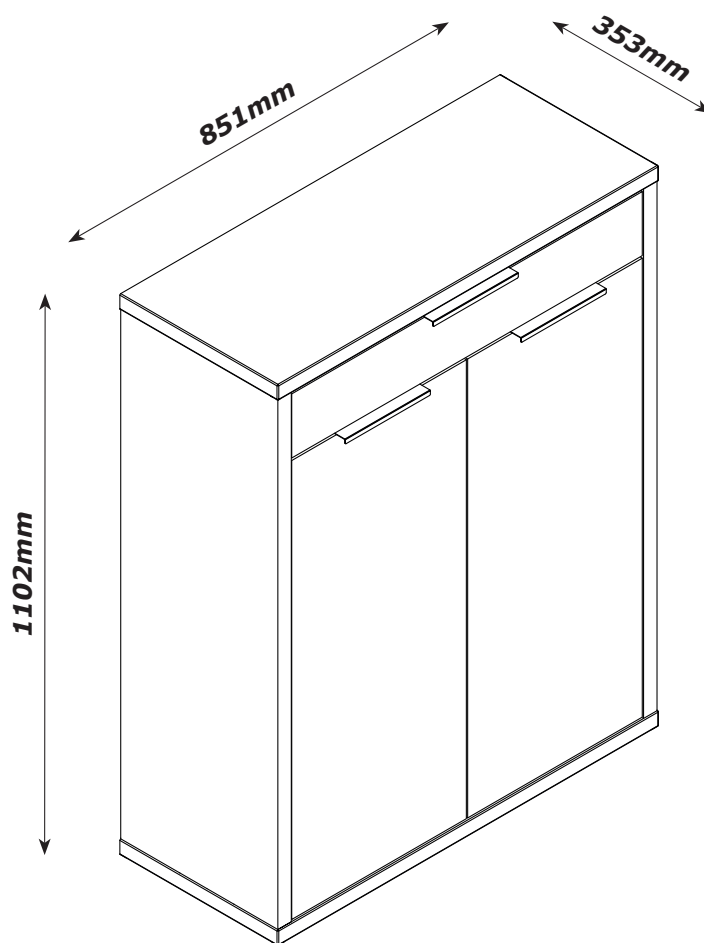
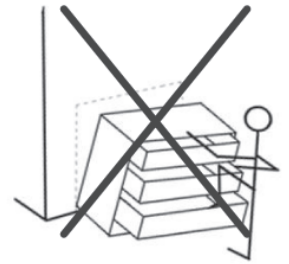
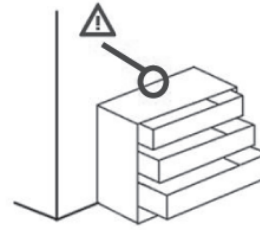
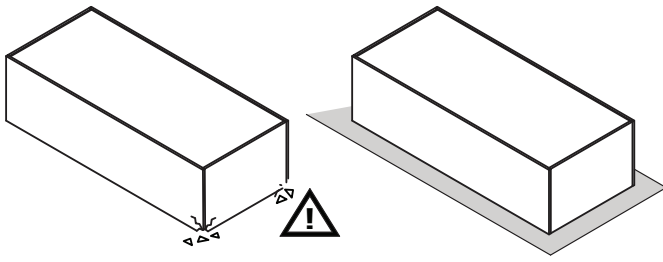
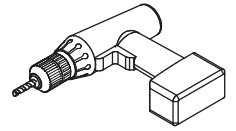
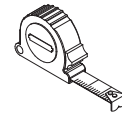
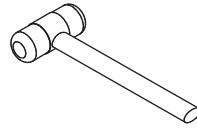
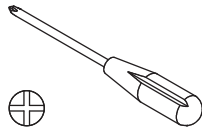
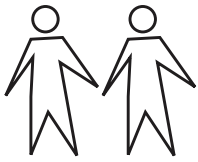


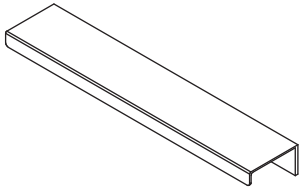
BS7583K76604



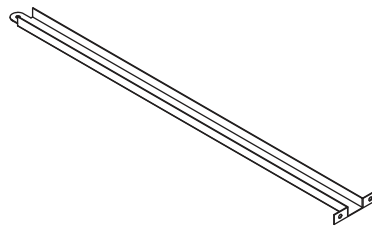
QF5938



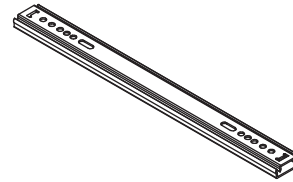
BU5076



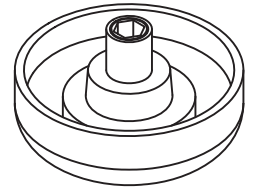
M147
x3



W404
x1



A47
x2



P37
x4

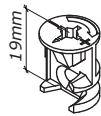
BU4824



H325
x8



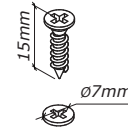
T28
x6



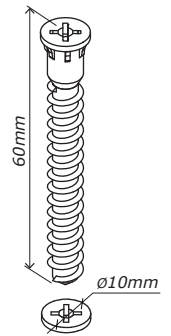
T97
x4



H54
x10



V5
x30



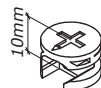
V57
x4



H2
x20



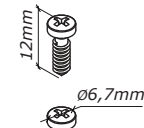
G187
x4



T78
x2



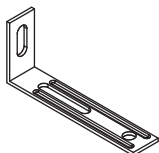
R40
x12



V98
x3



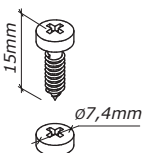
H113
x8



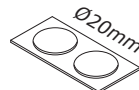
H185
x2



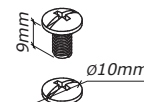
H129
x4



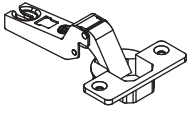
V81
x4



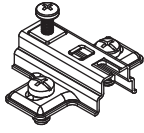
G161
x2



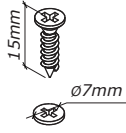
V38
x2



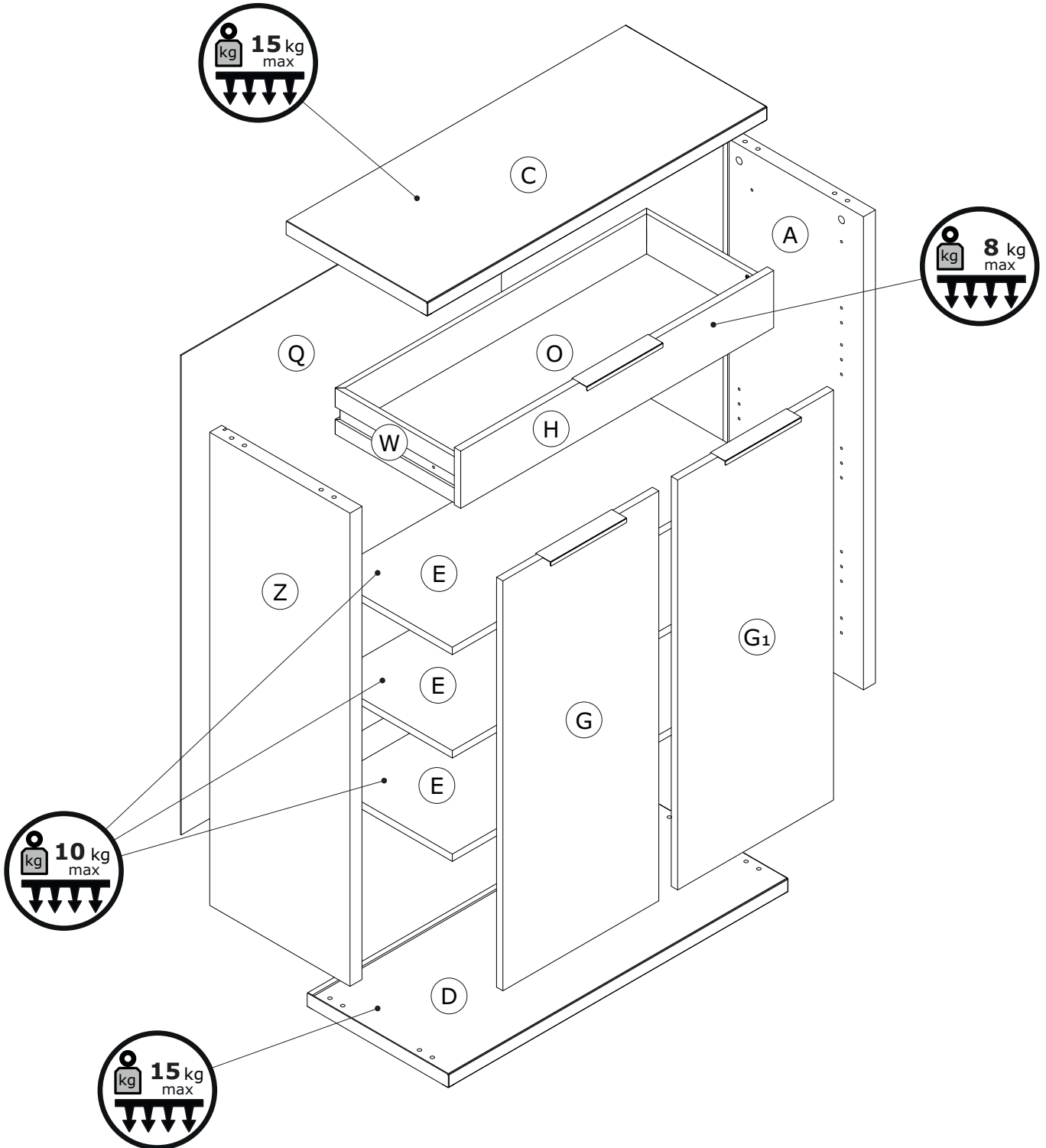
C55
x4

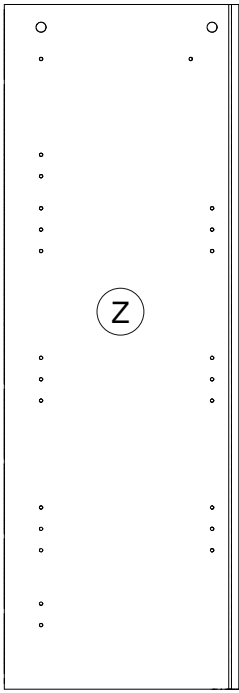


B27
x4

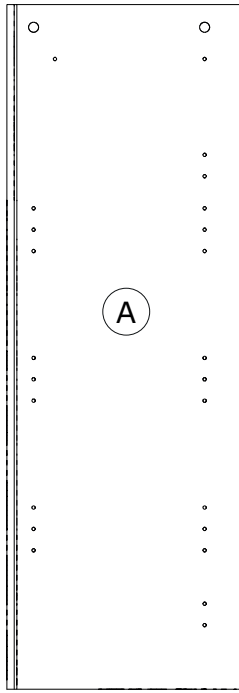


V5
x8

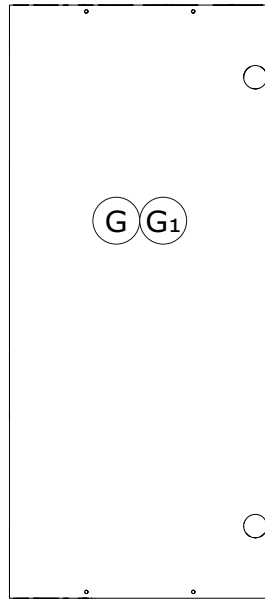




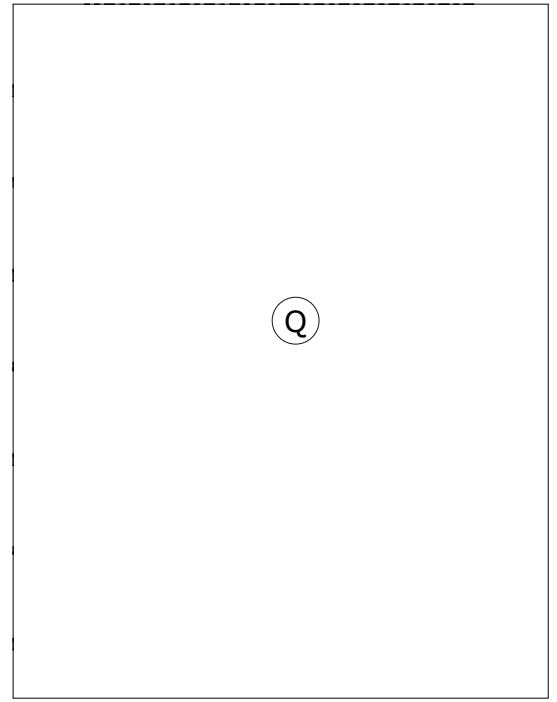
FI9432
1025x351x30mm



FI9433
1025x351x30mm



AN3199
888x390x16mm

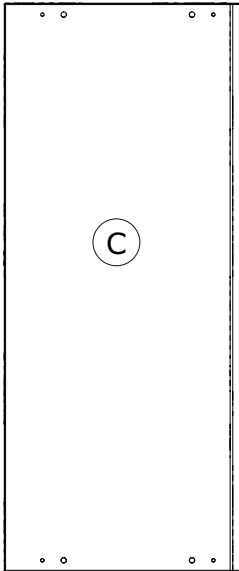


SH3780
1039x801x2mm

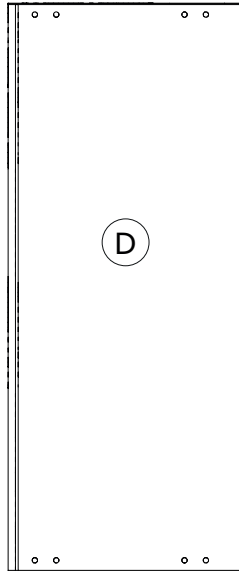


OF0770
300x779x300mm H.100mm

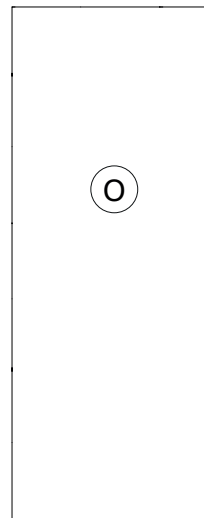
BOX 1/2



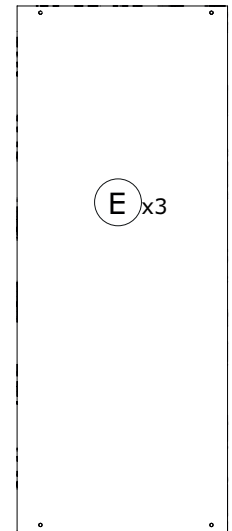
CA3950
851x353x30mm



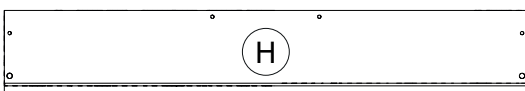
BA2420
851x353x30mm



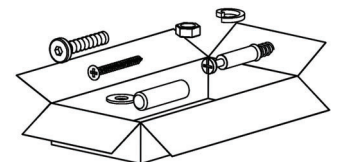
SH3502
766x301x2mm



PI7556
787x315x16mm

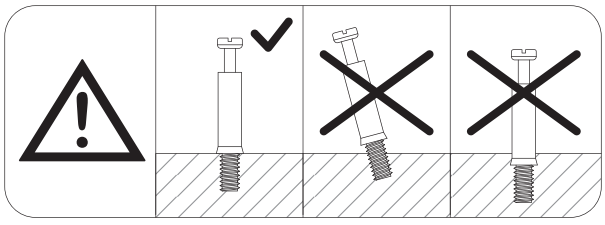
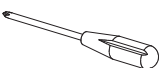
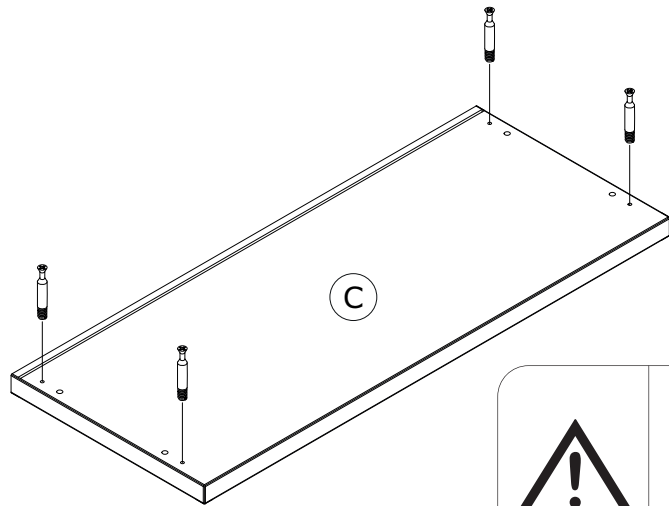
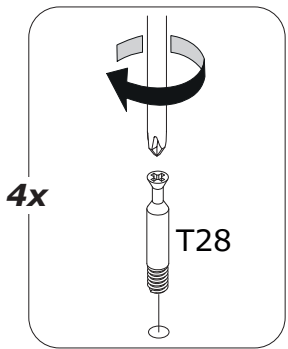


CS4047
783x124x16mm

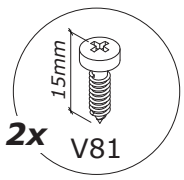
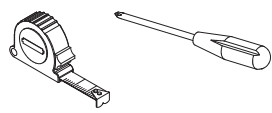
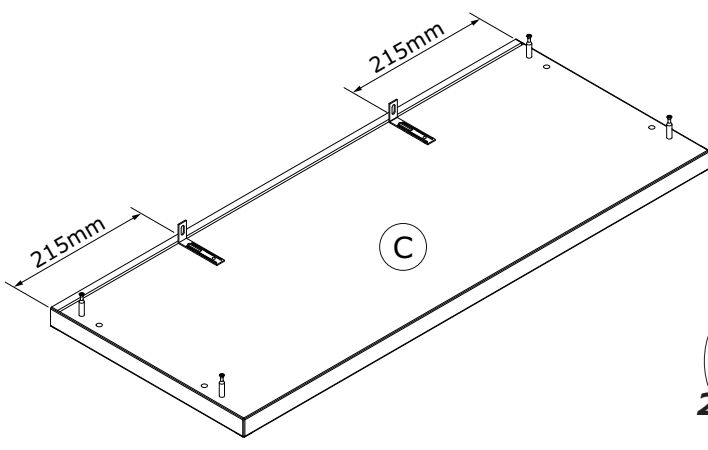
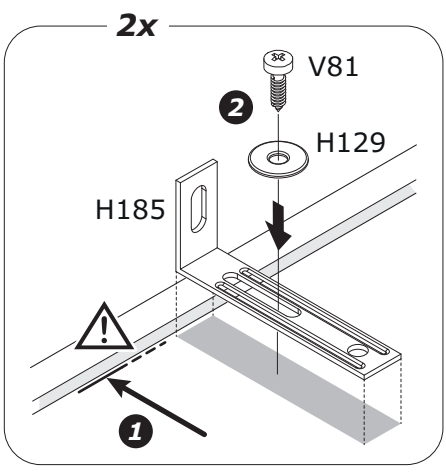


BOX 2/2

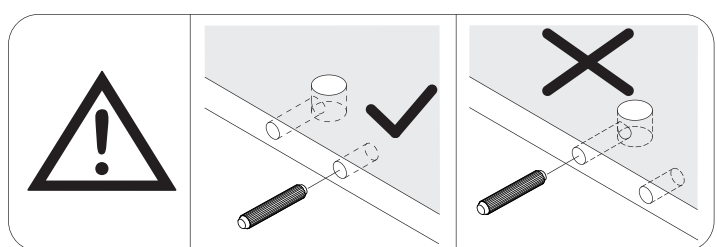
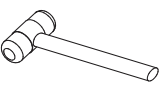
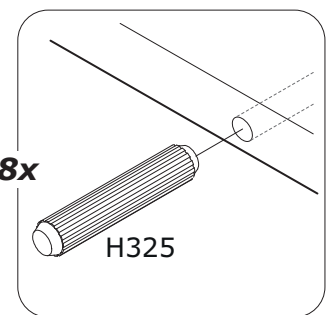
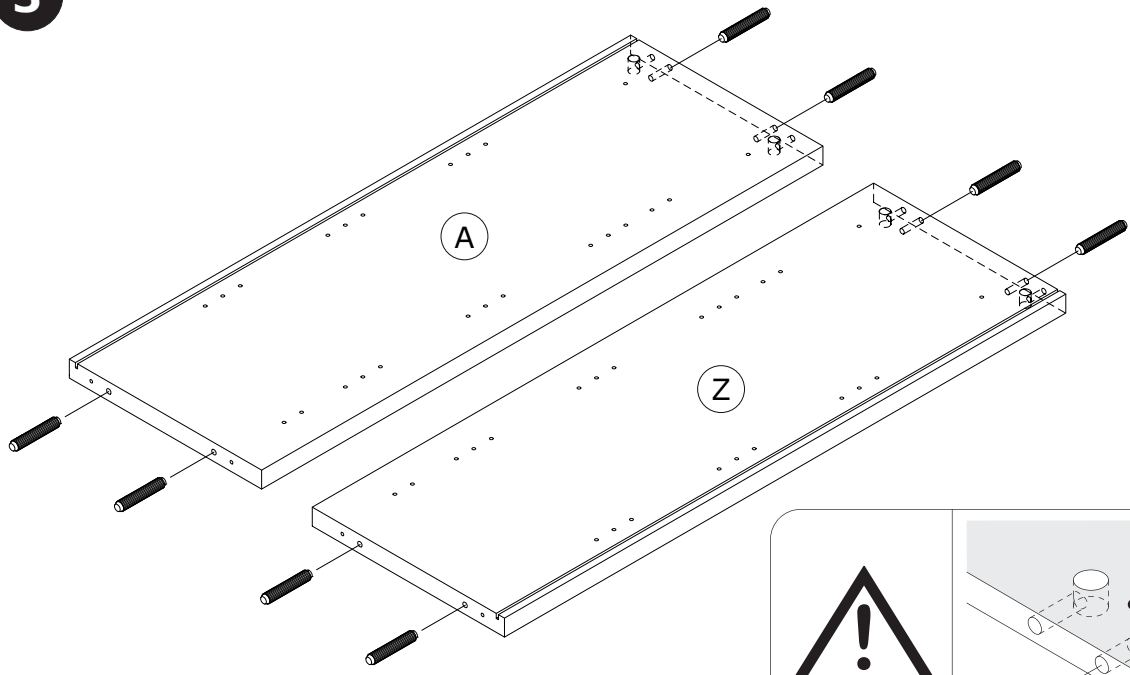
1



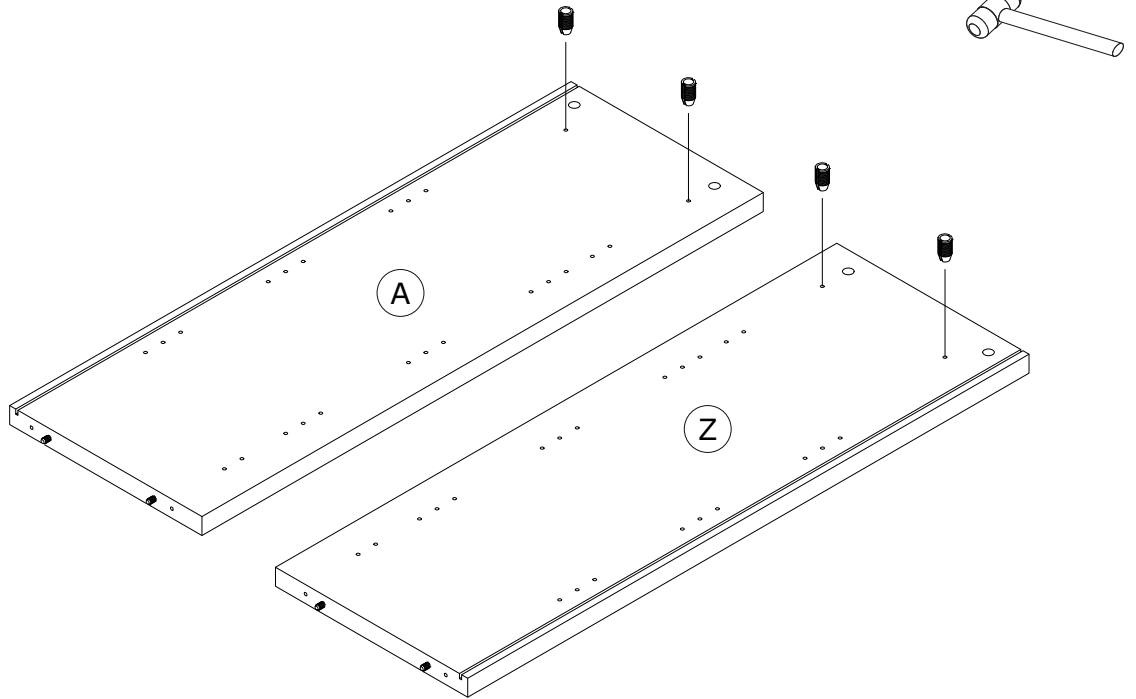
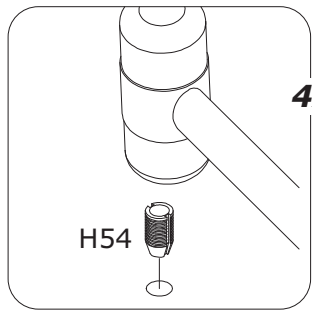
2



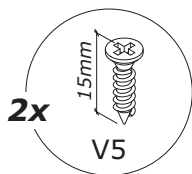
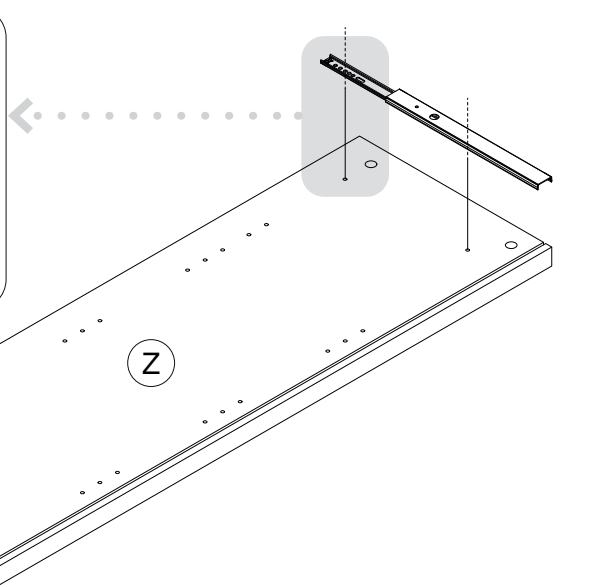
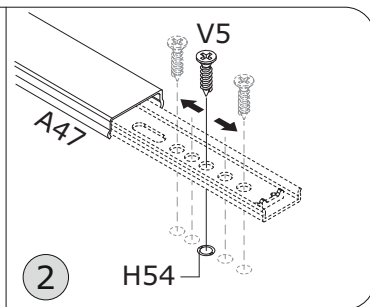
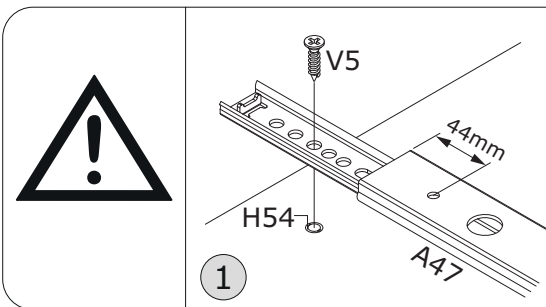
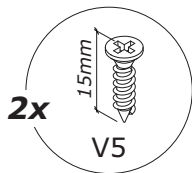
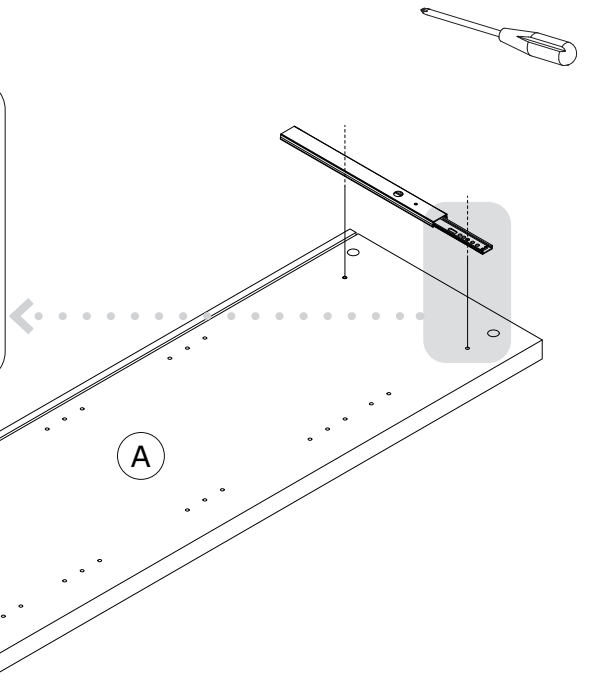
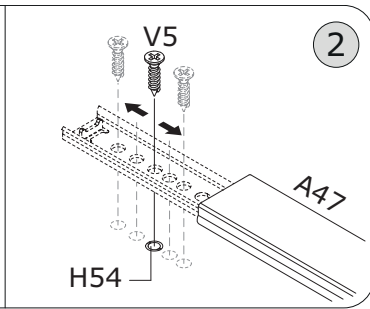
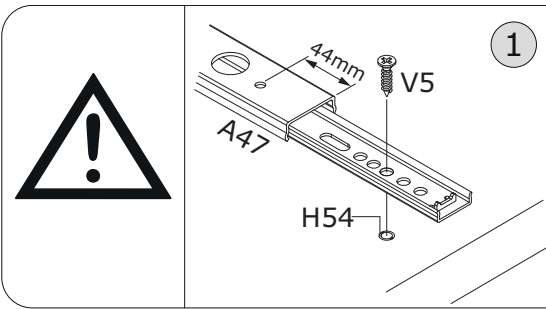
3



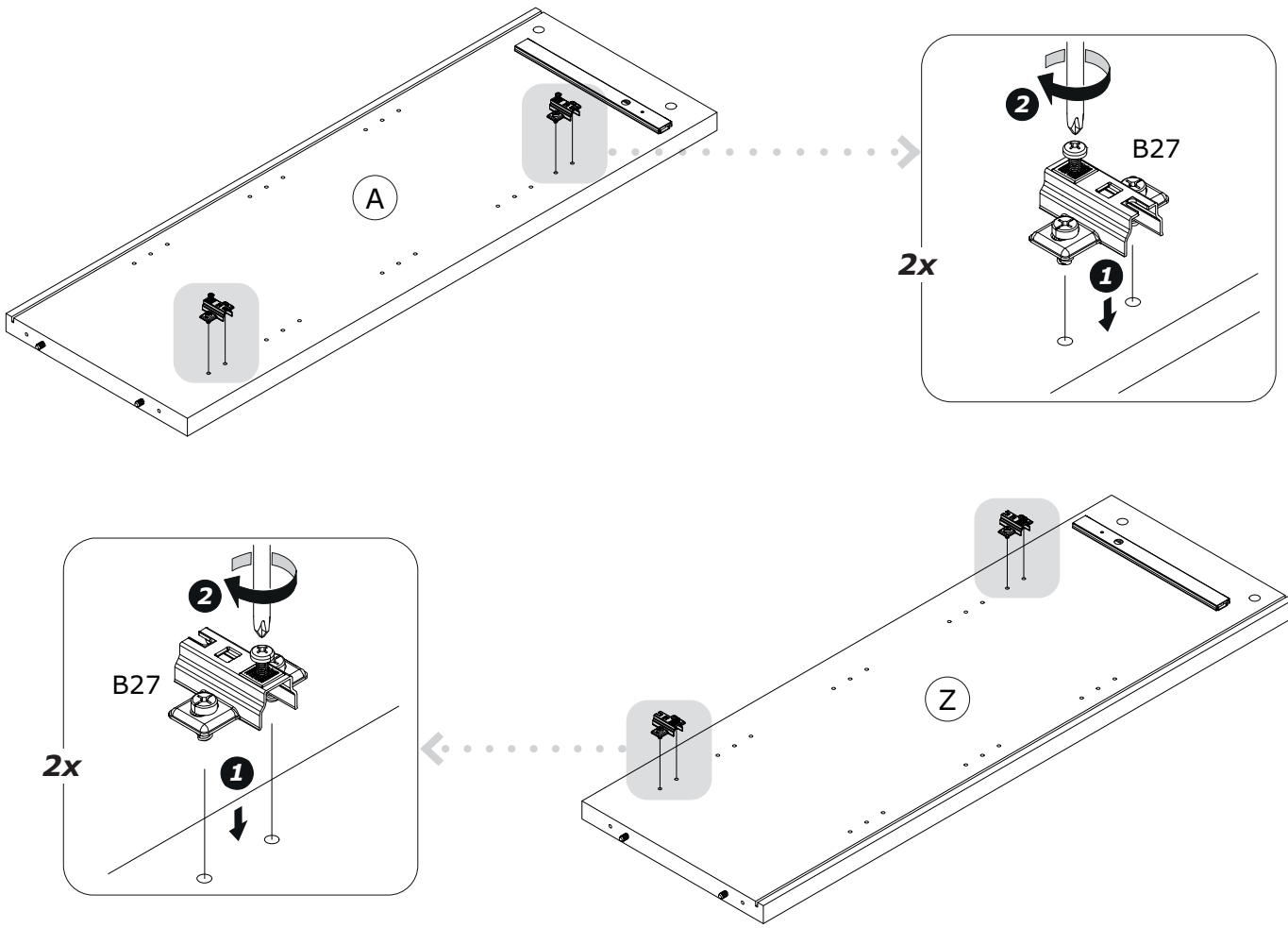
4



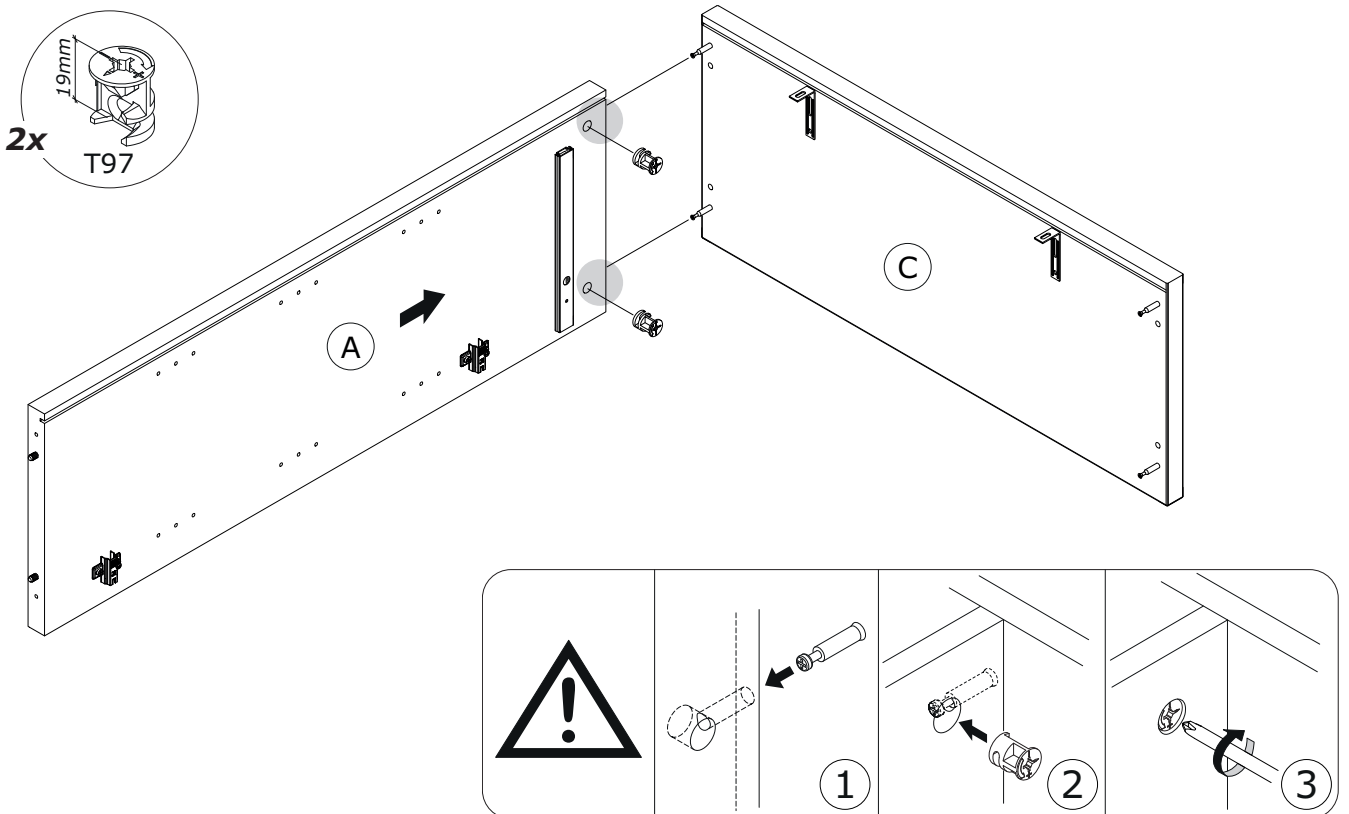
5



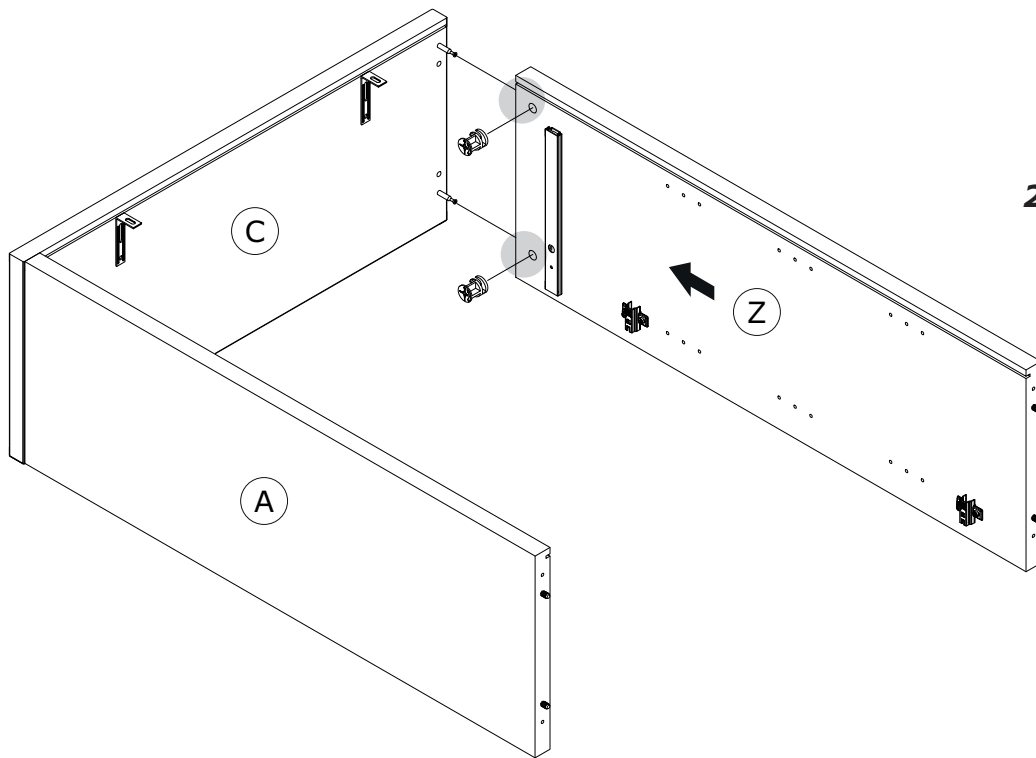
6



7

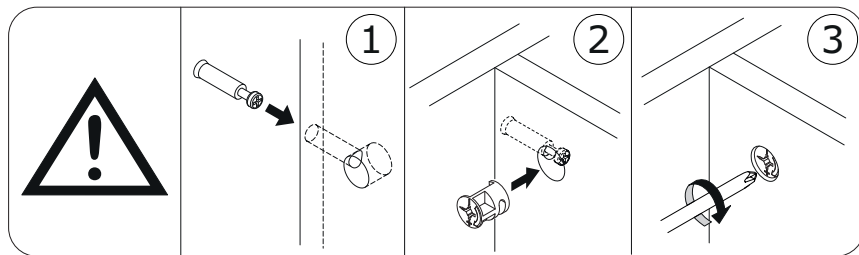


8

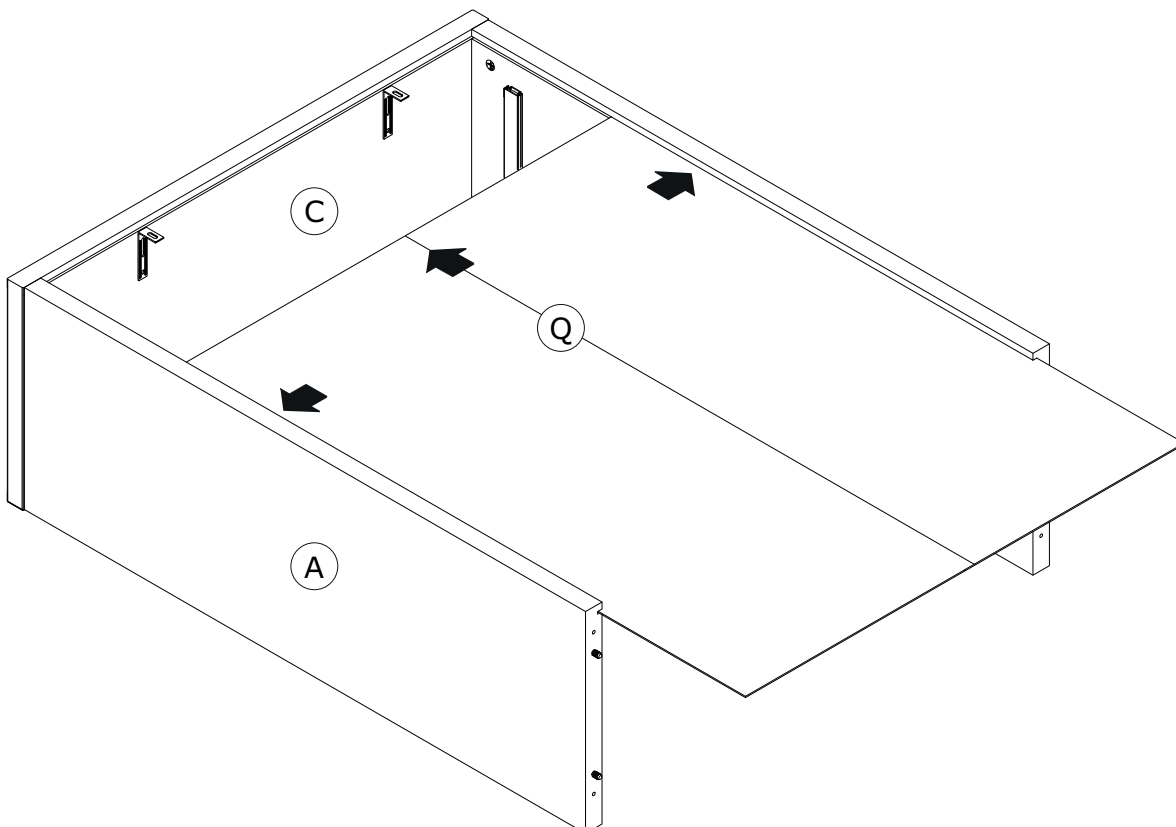


2x

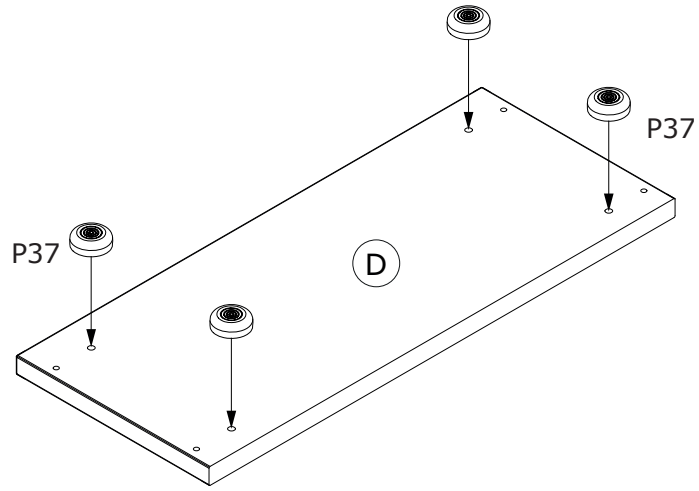
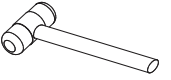
T97



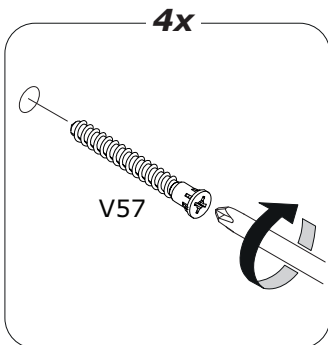
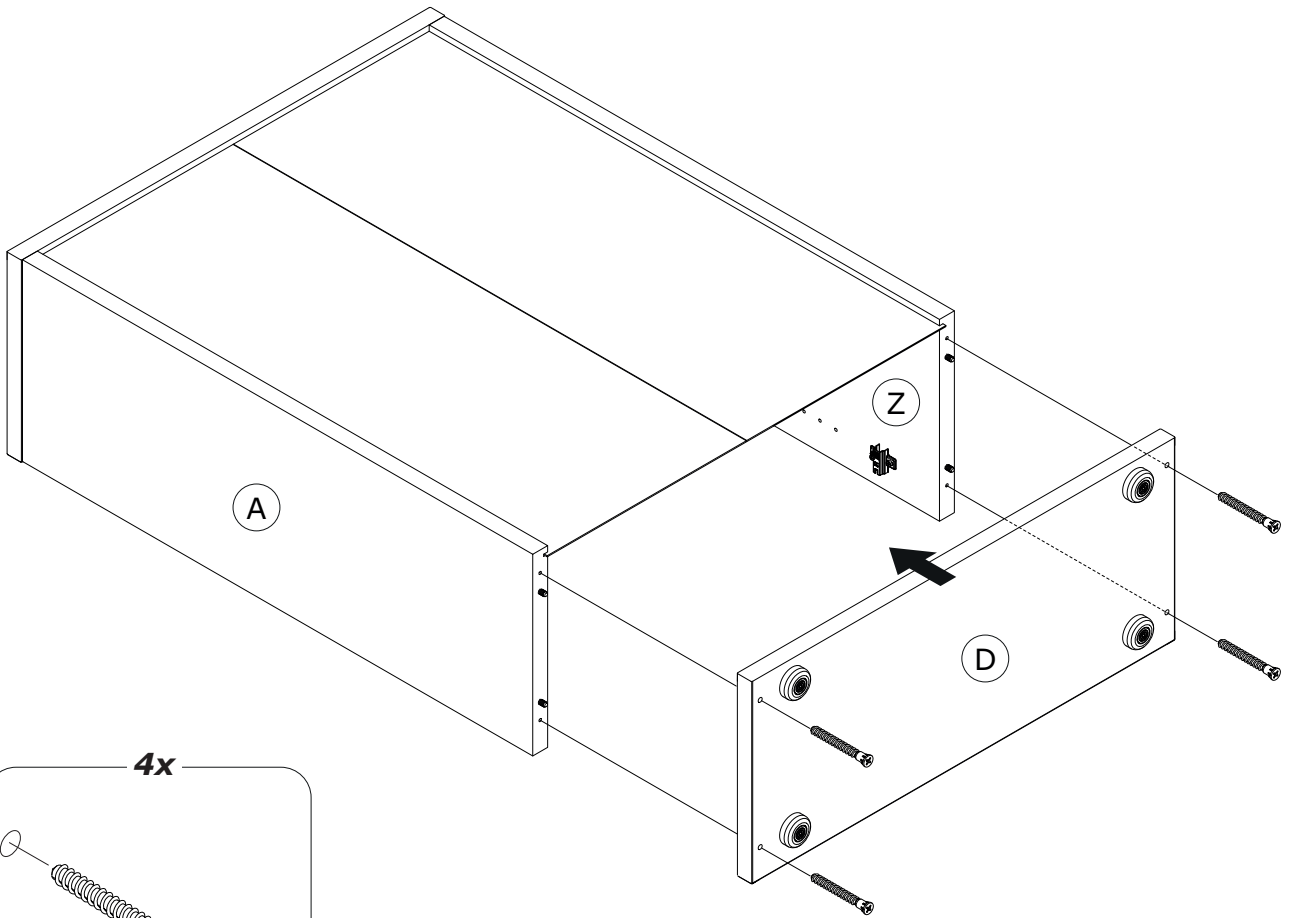
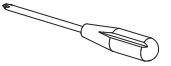
9



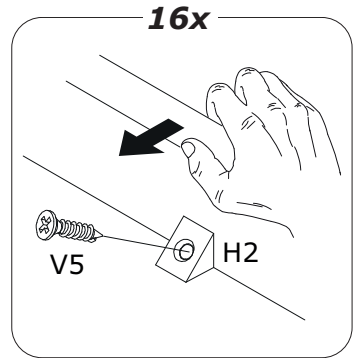
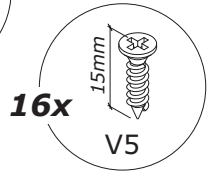
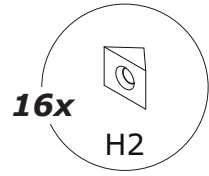
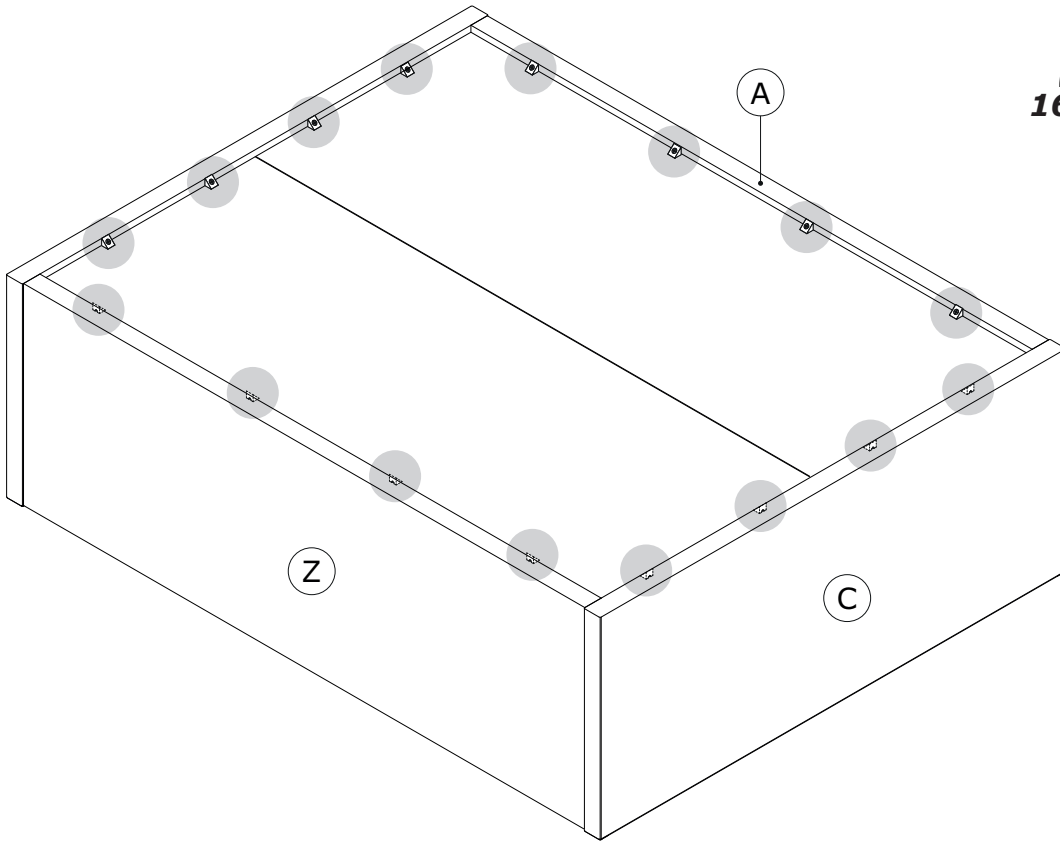
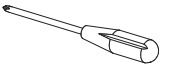
10



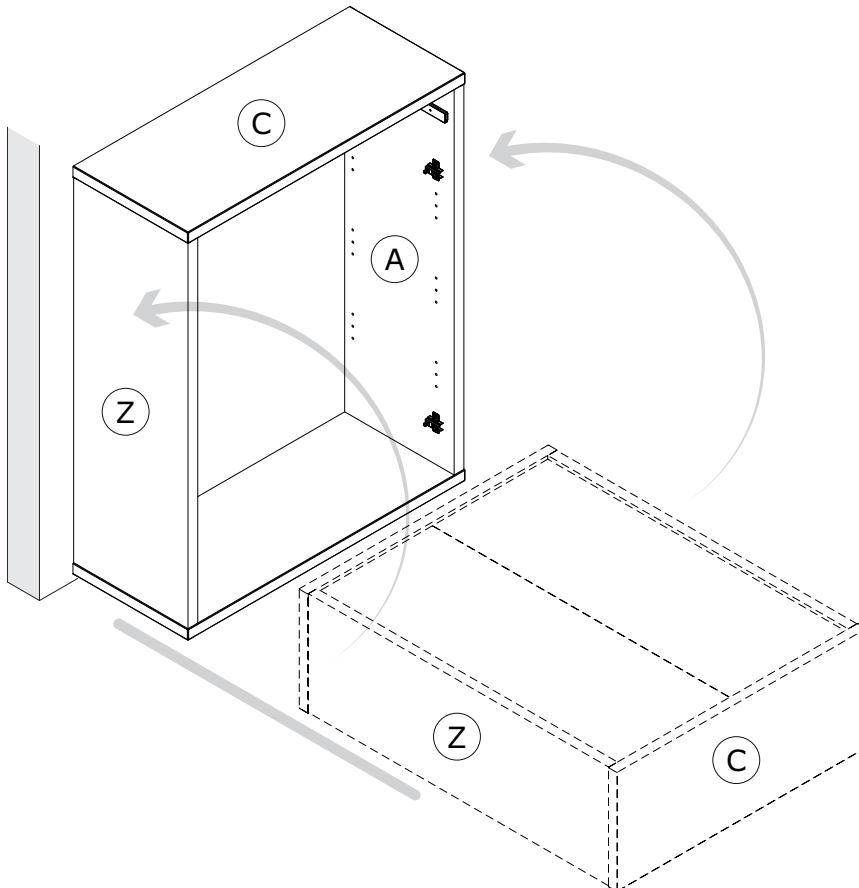
11

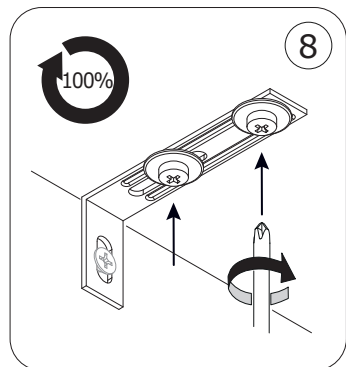
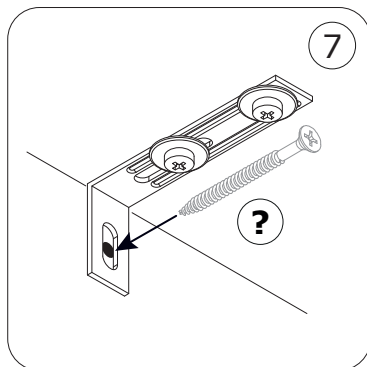
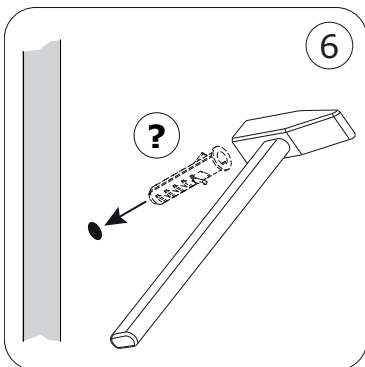
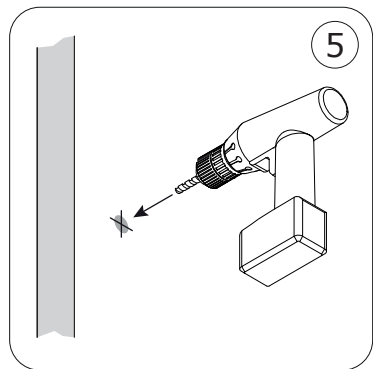
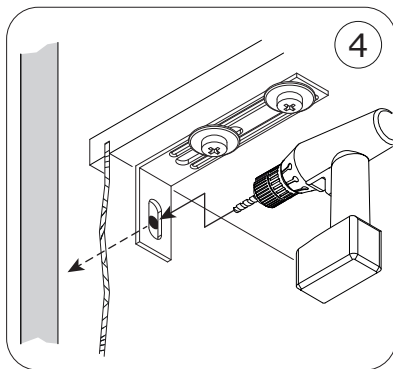
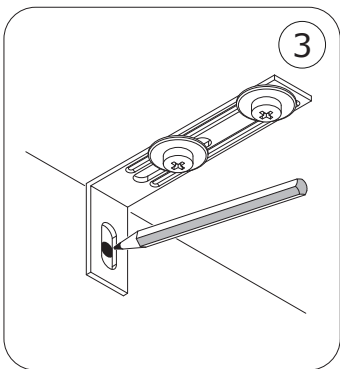
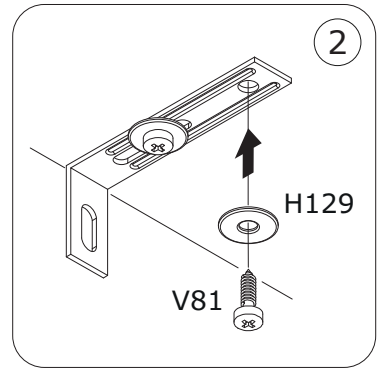
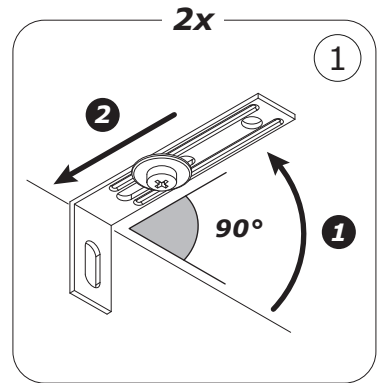
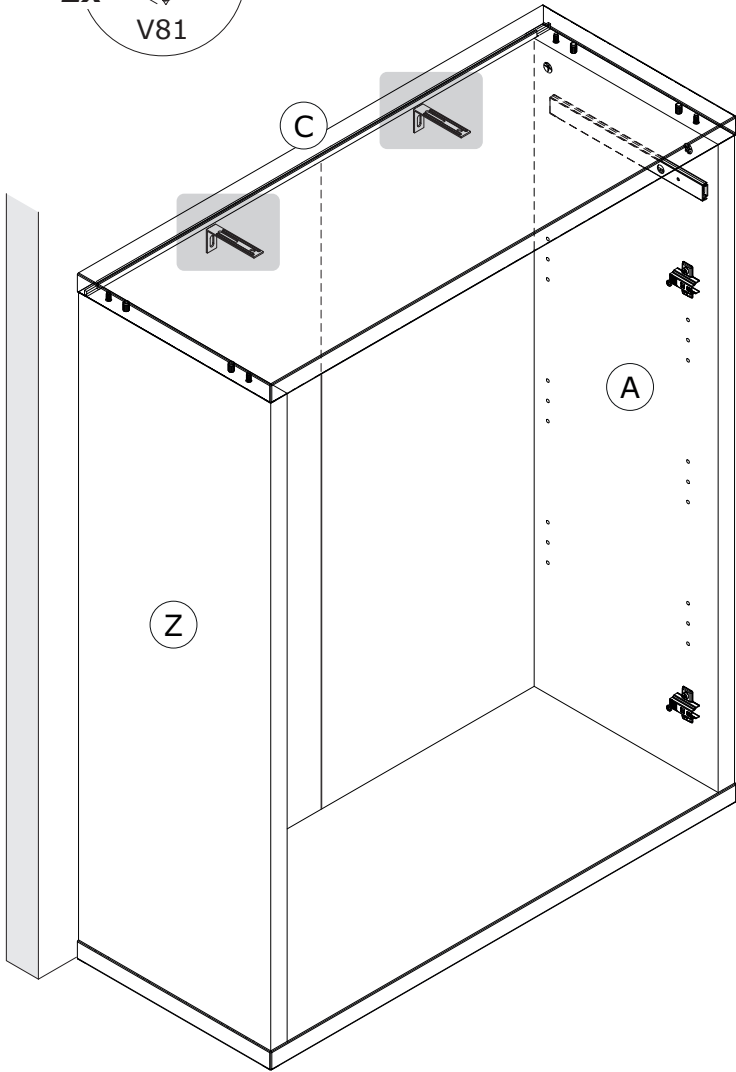
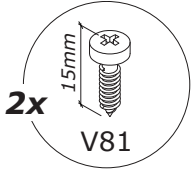
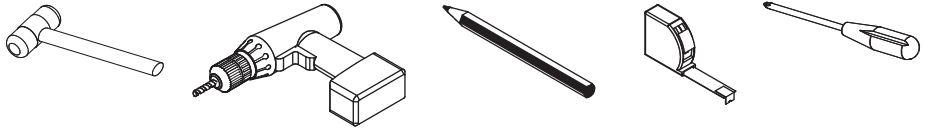


12

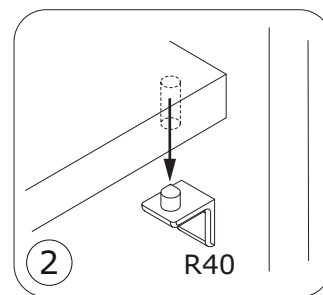
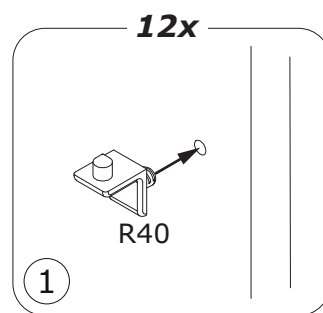
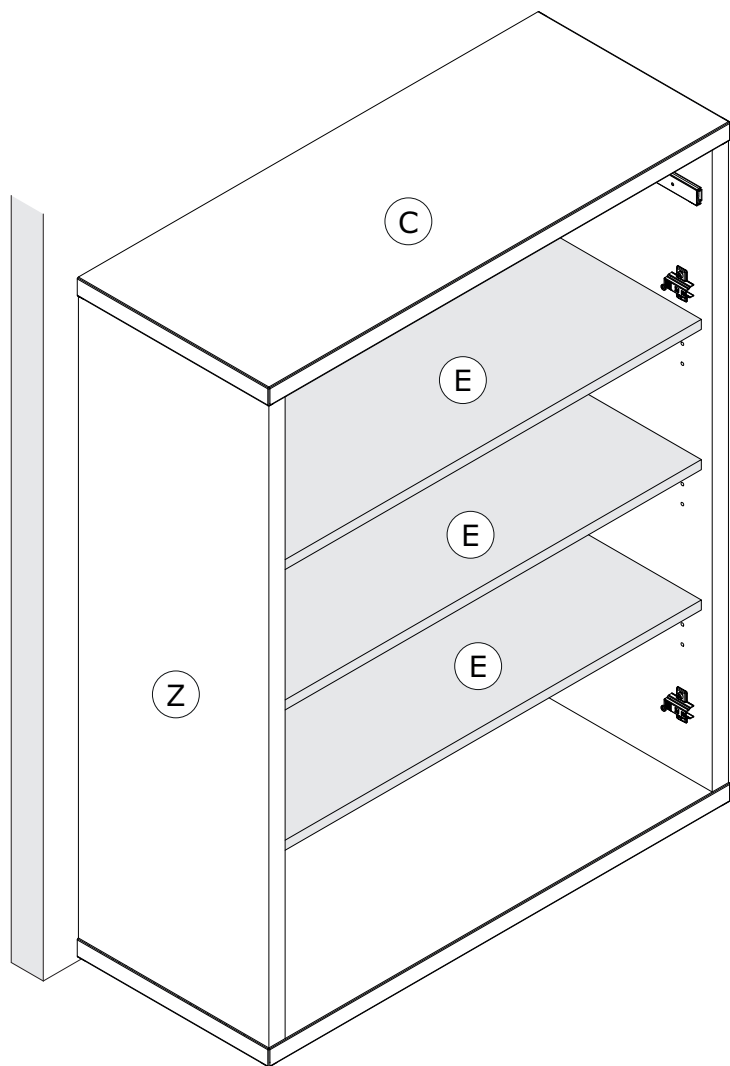


13

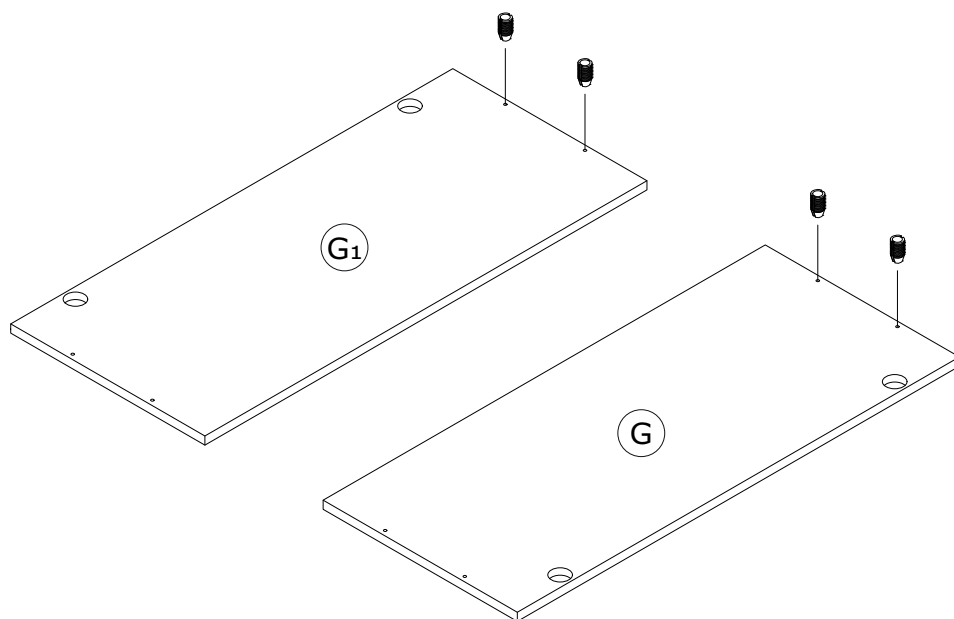
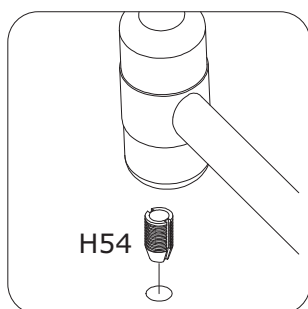
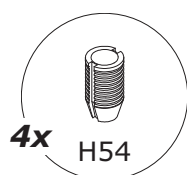
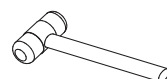




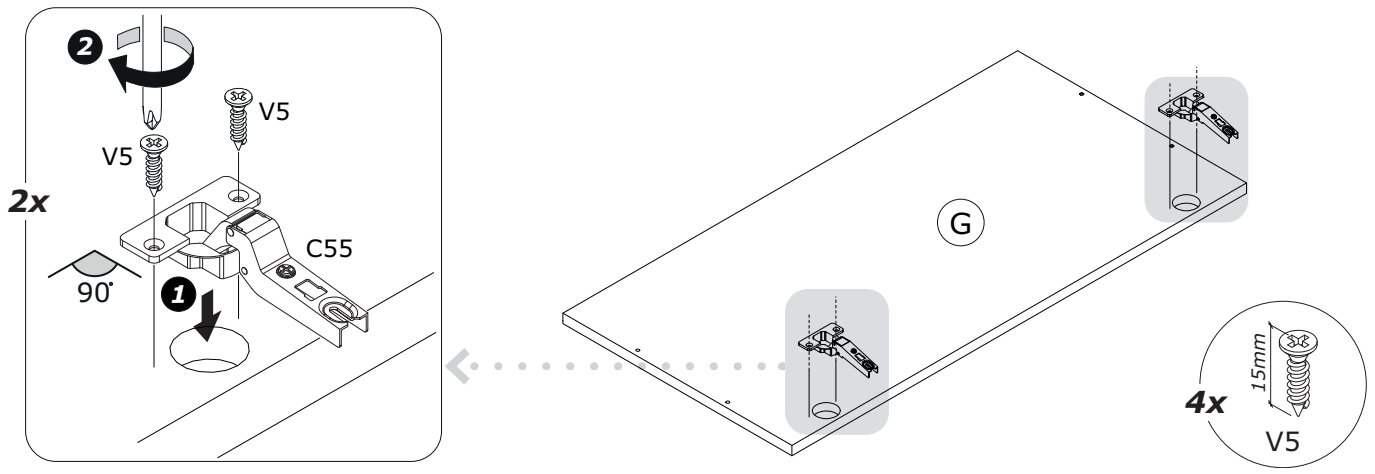
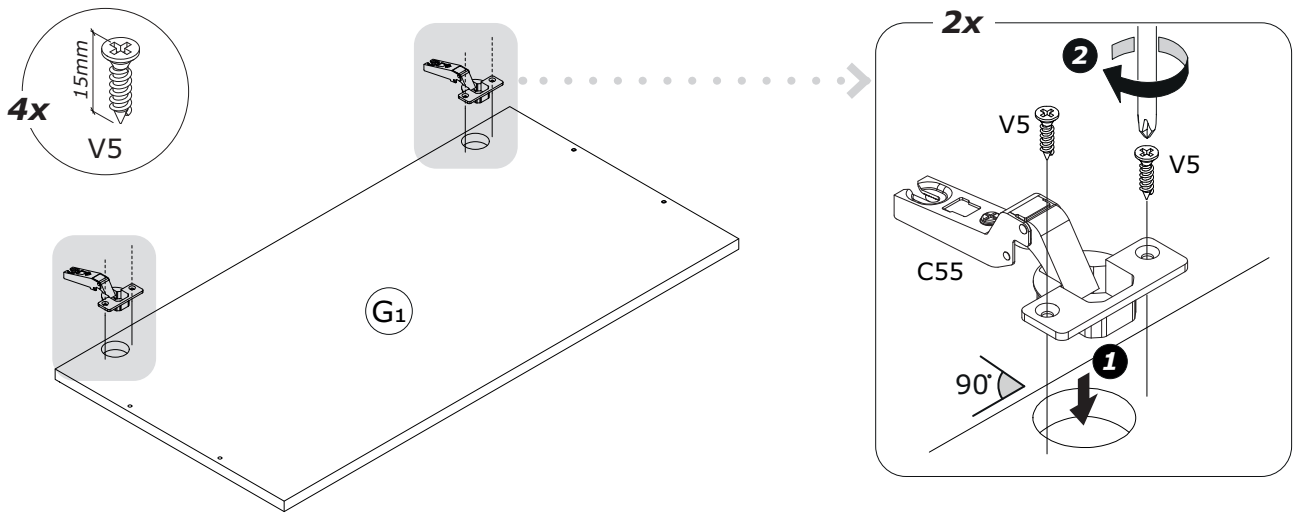
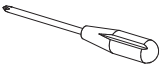
15



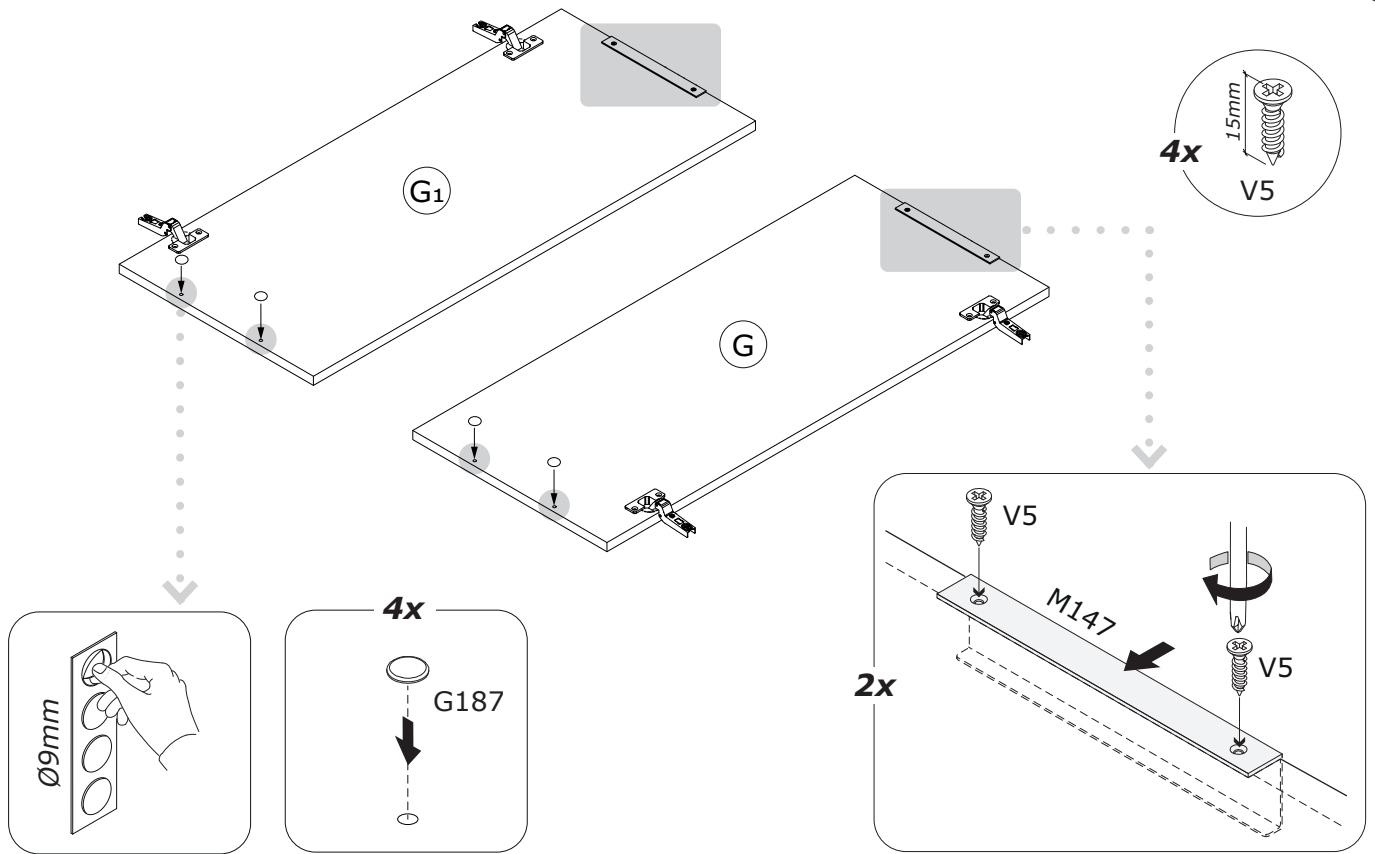
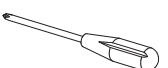
16

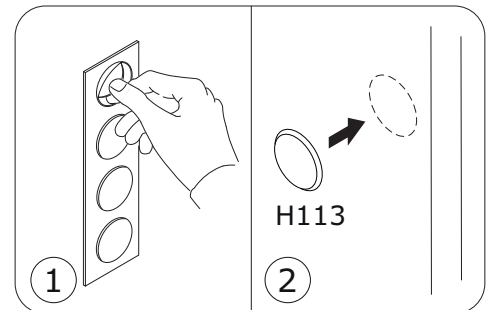
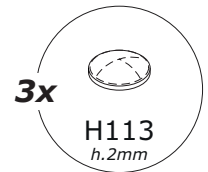
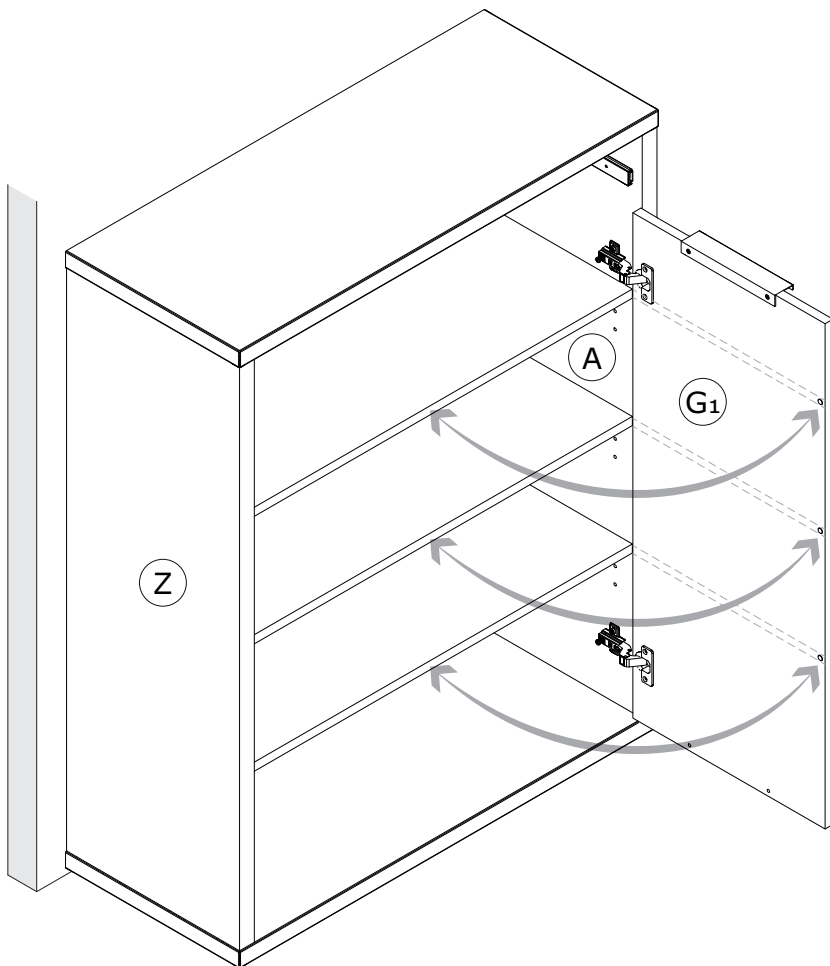
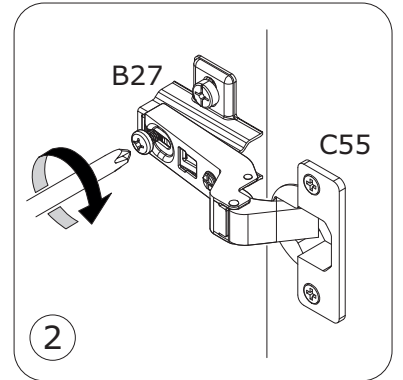
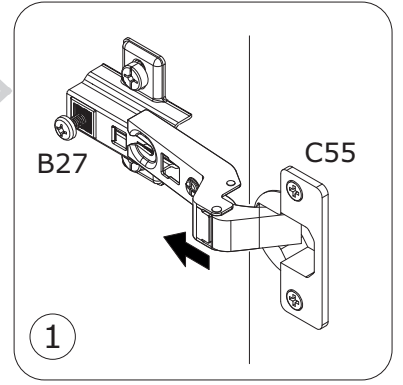
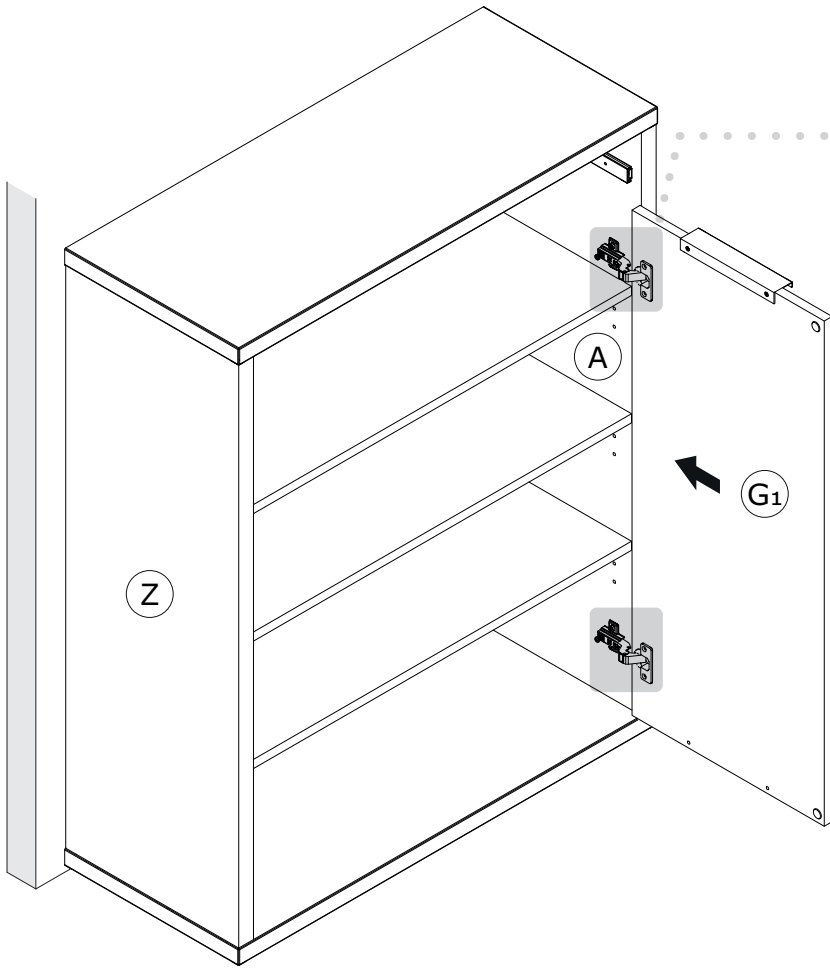
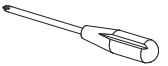


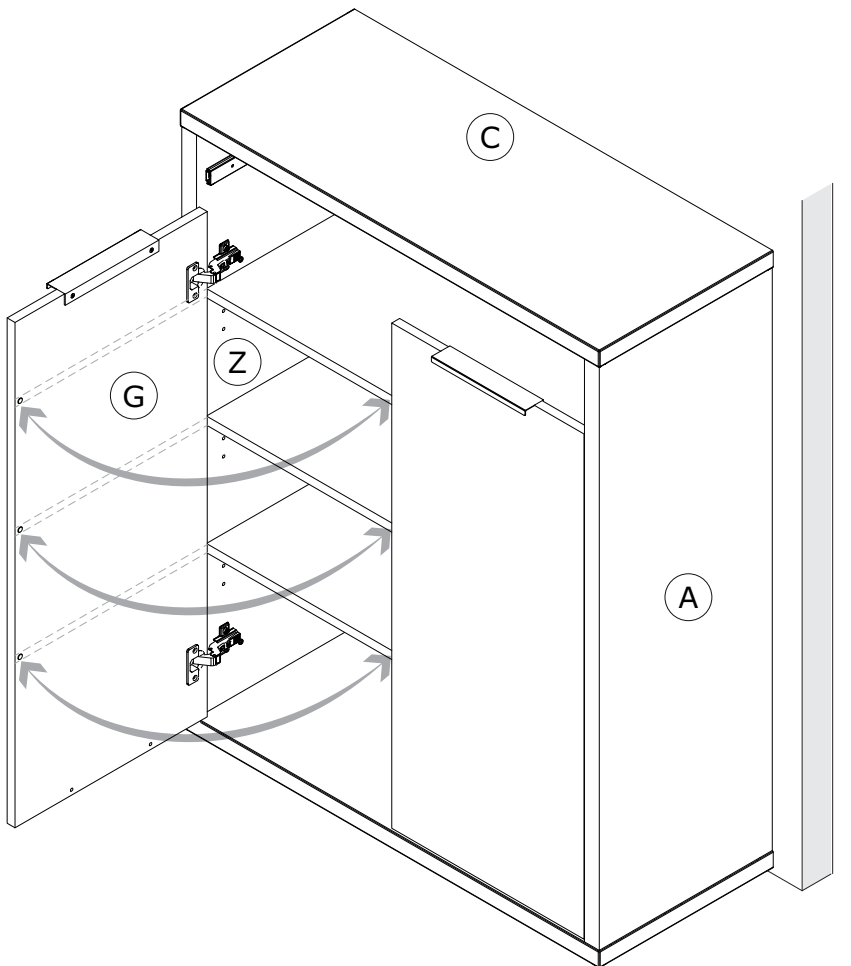
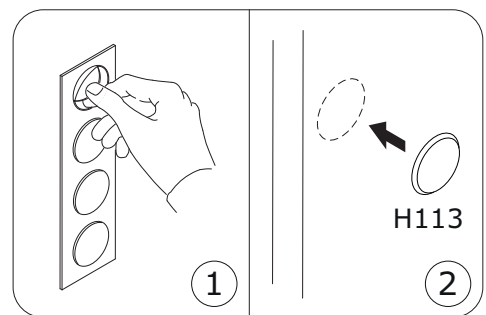
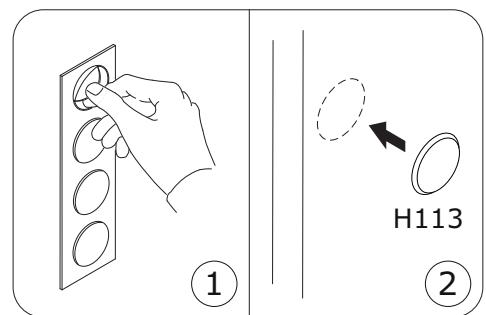
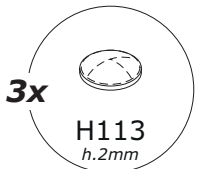
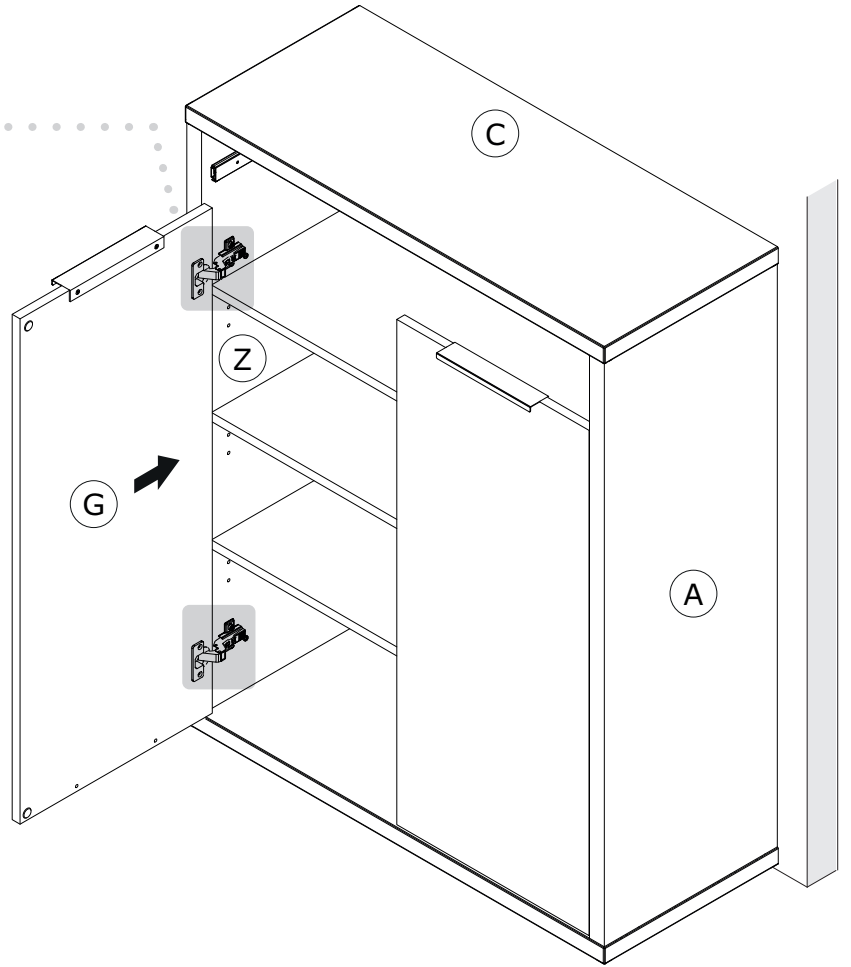
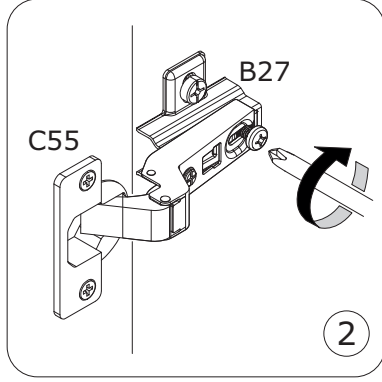
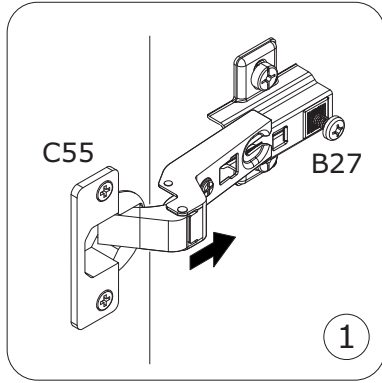
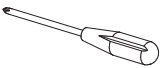
17



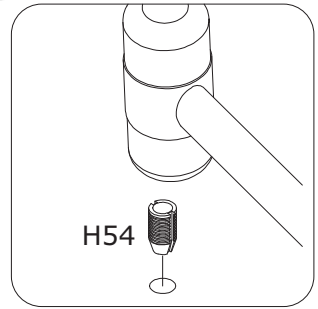
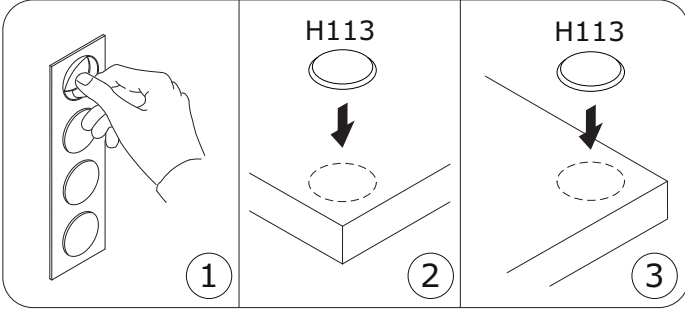
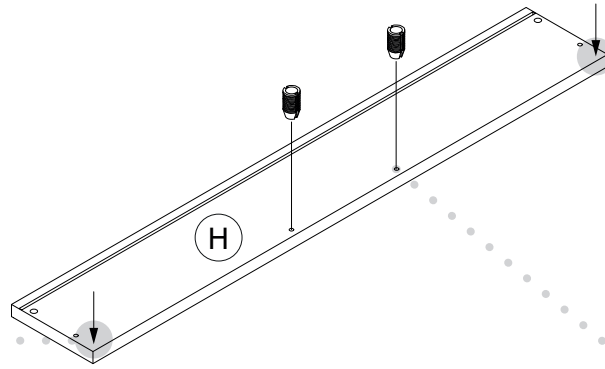
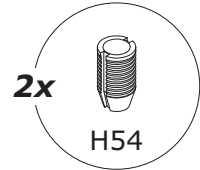
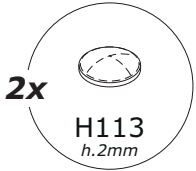
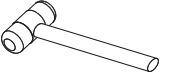
18



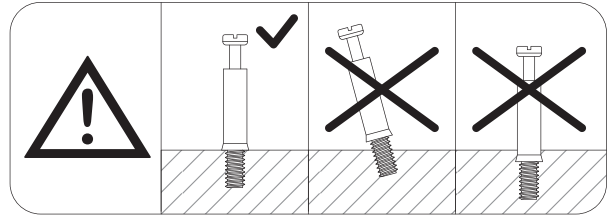
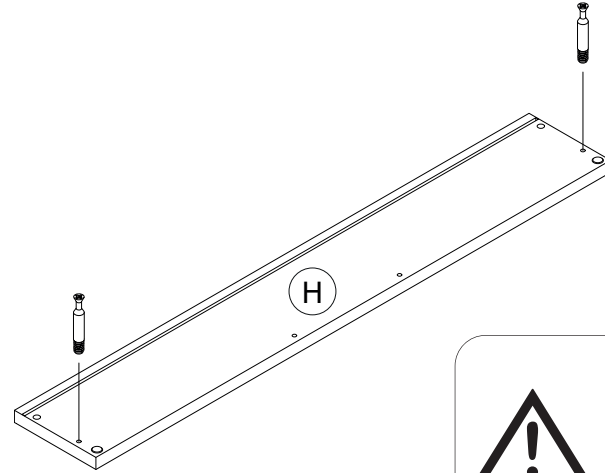
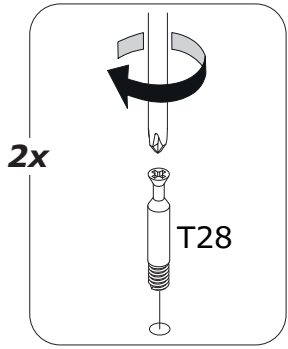
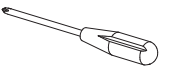




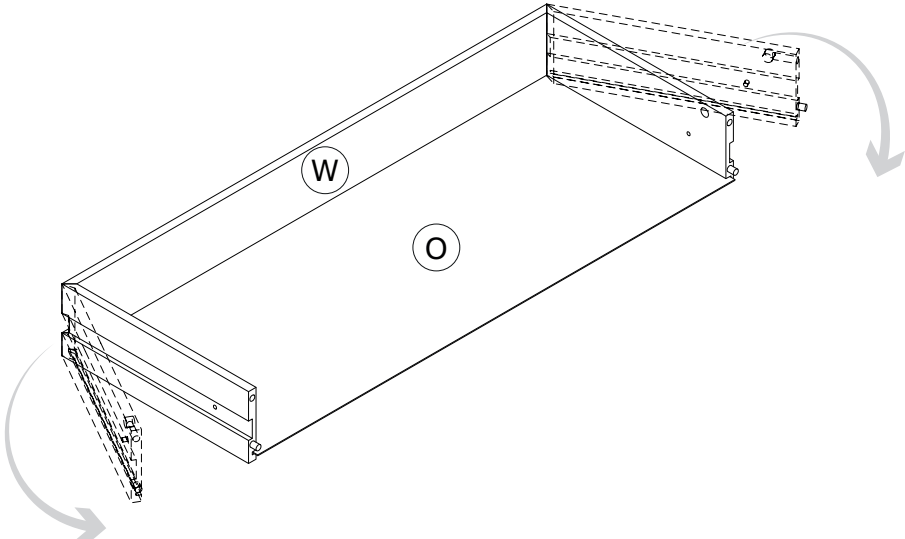
21



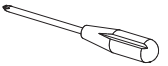
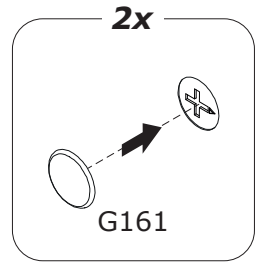
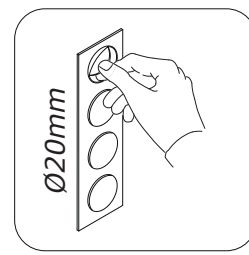
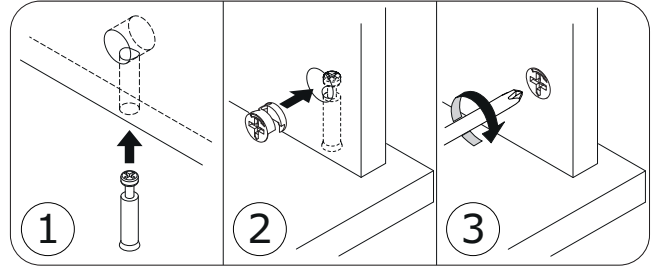
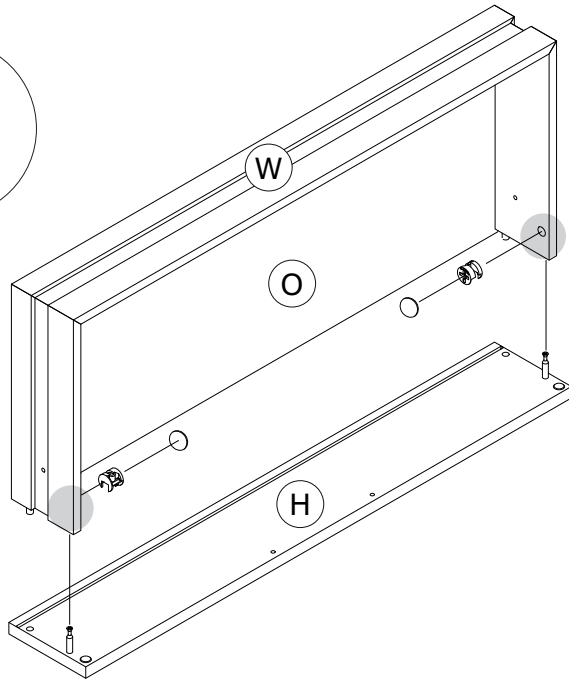
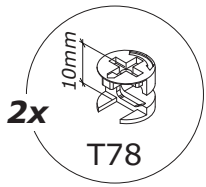
22



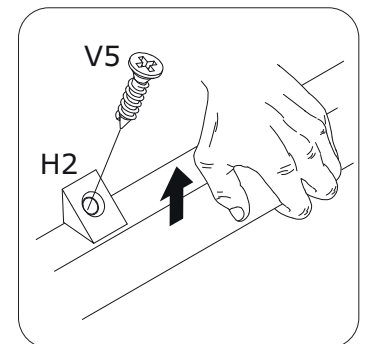
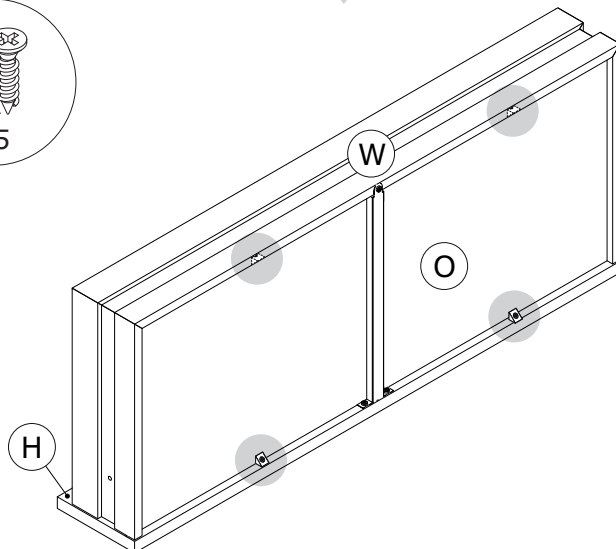
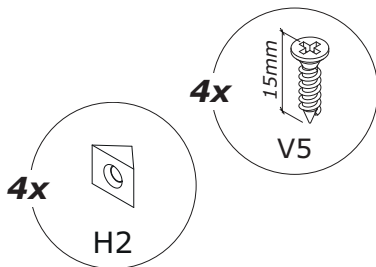
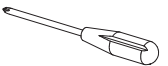
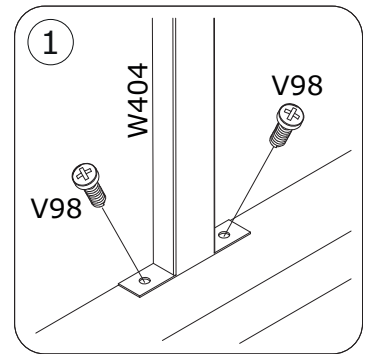
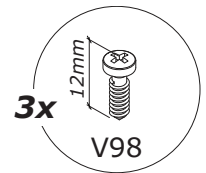
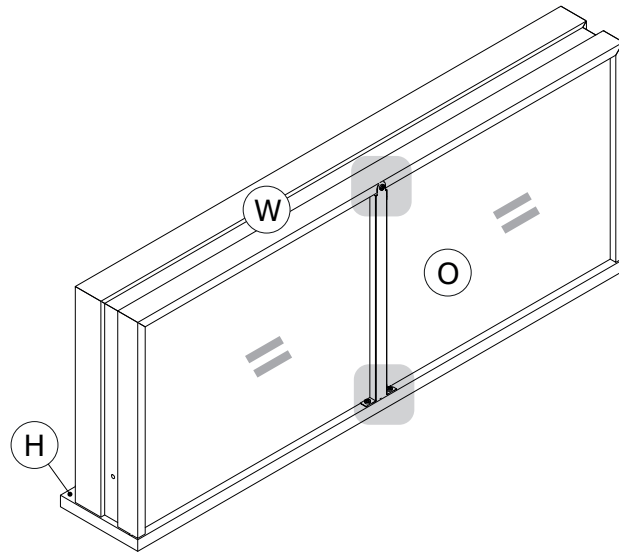
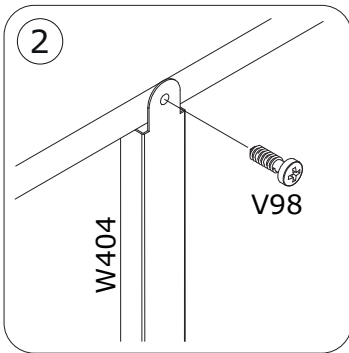
23



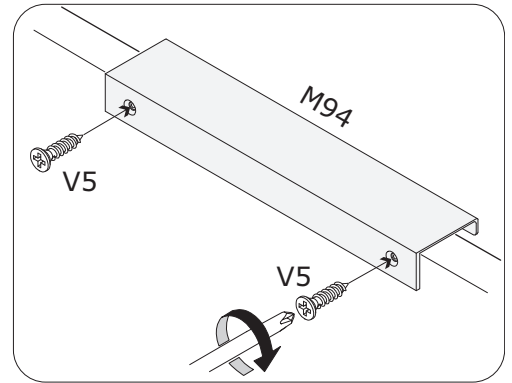
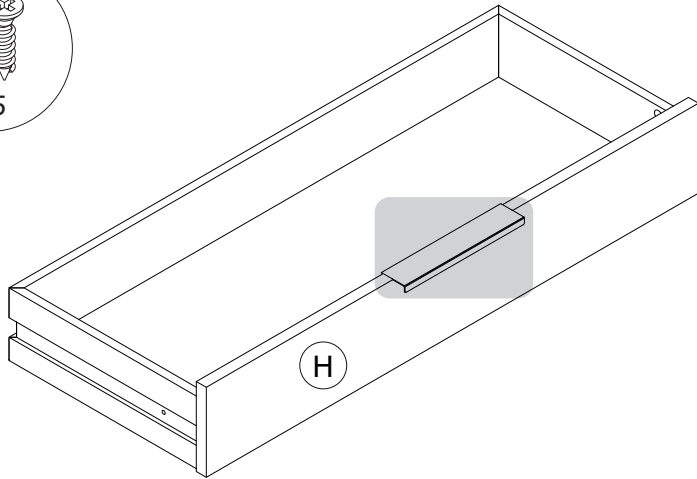
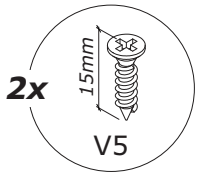
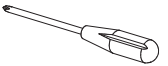
24



25



26



27

