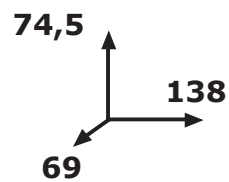
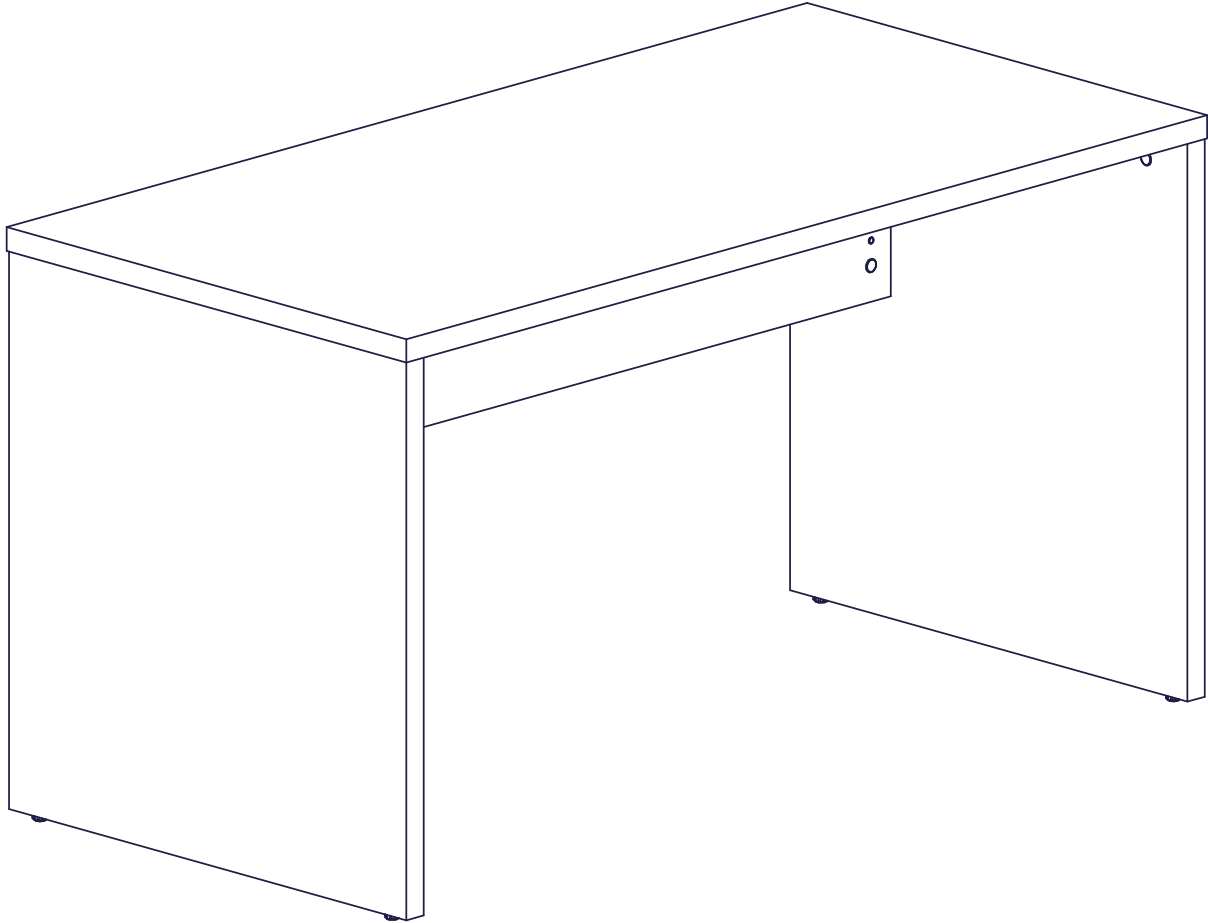
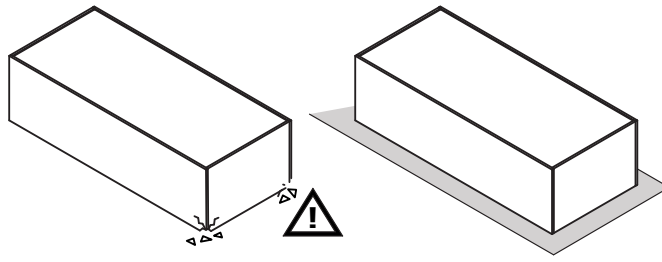
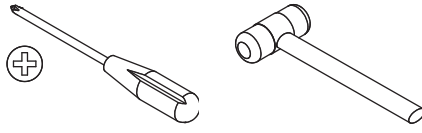
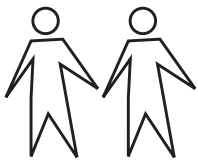


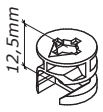
SR5141K51104



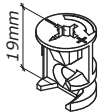
QF3633



BU2997



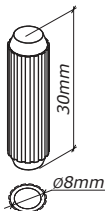
T7
x4



T97
x6



T28
x10



H1
x10



G144
x4



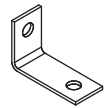
G145
x4



G142
x10



V10
x6



H141
x3



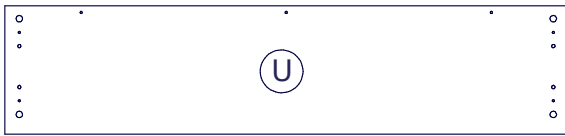
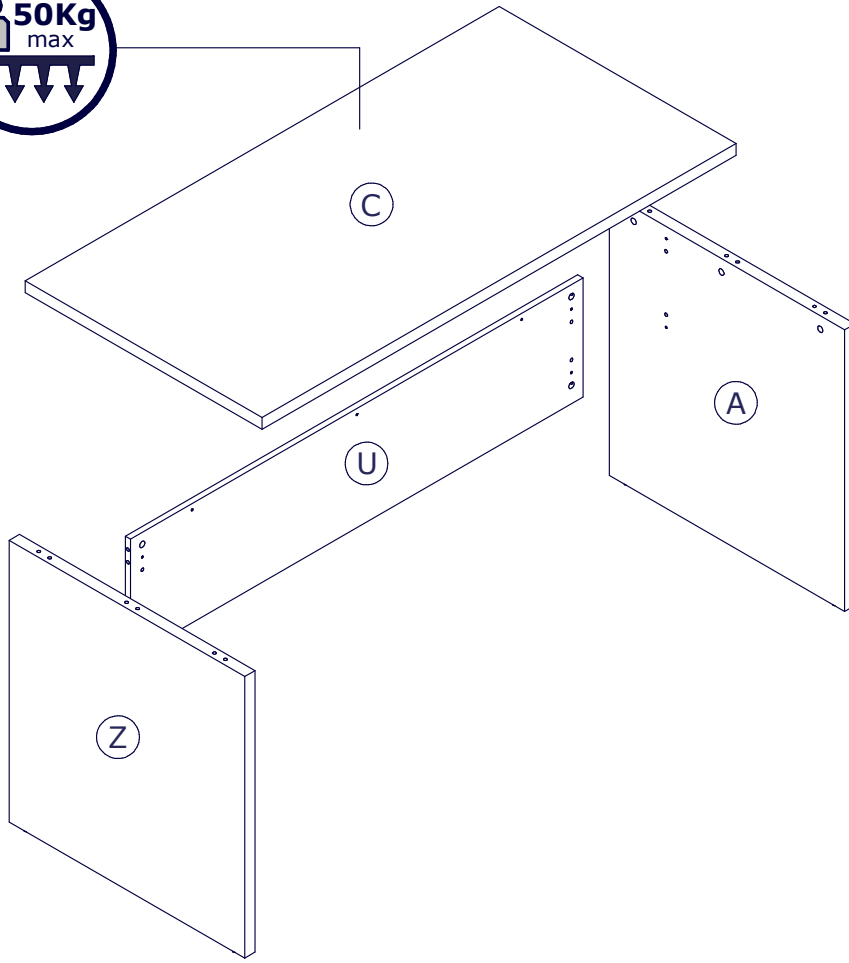
P39
x4



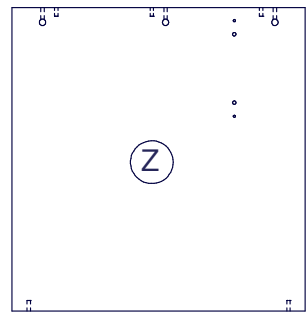
T102
x4



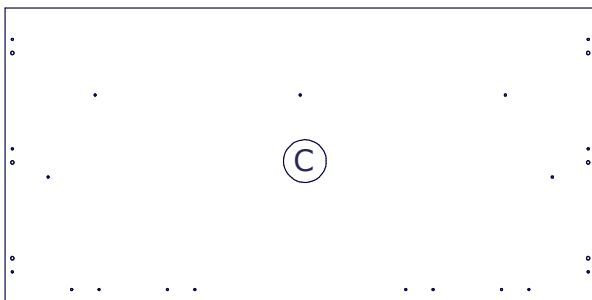
H218
x1



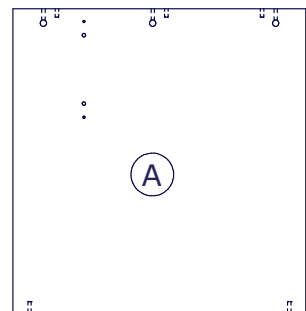
● **FS2329**
1318x300x16mm



● **FI6939**
710x686x30mm

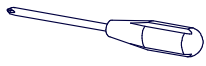


● **CA2827**
1382x690x30mm

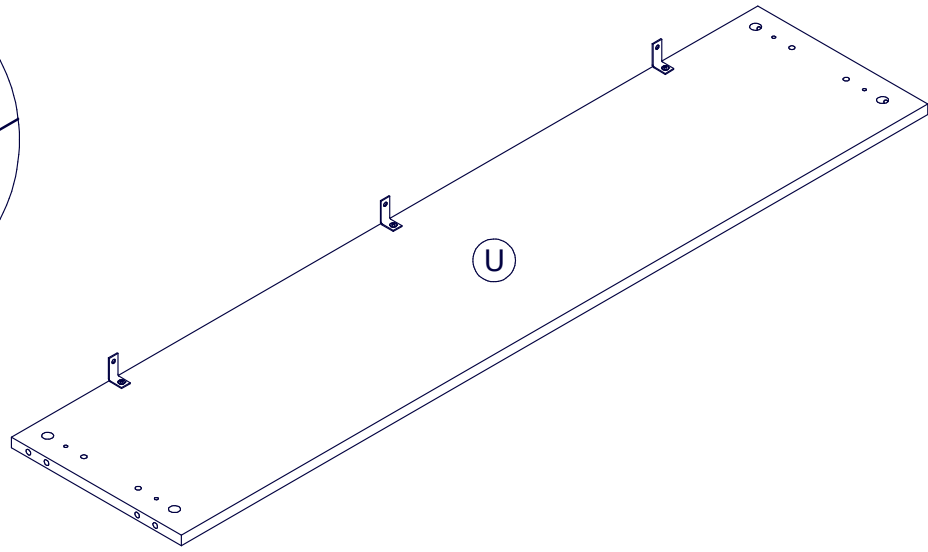
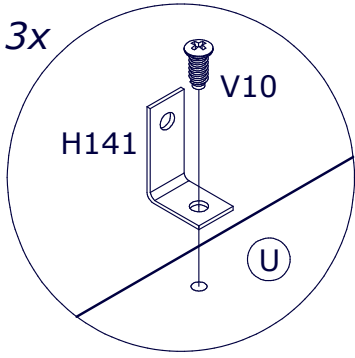


● **FI6938**
710x686x30mm

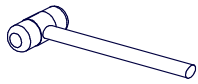
1



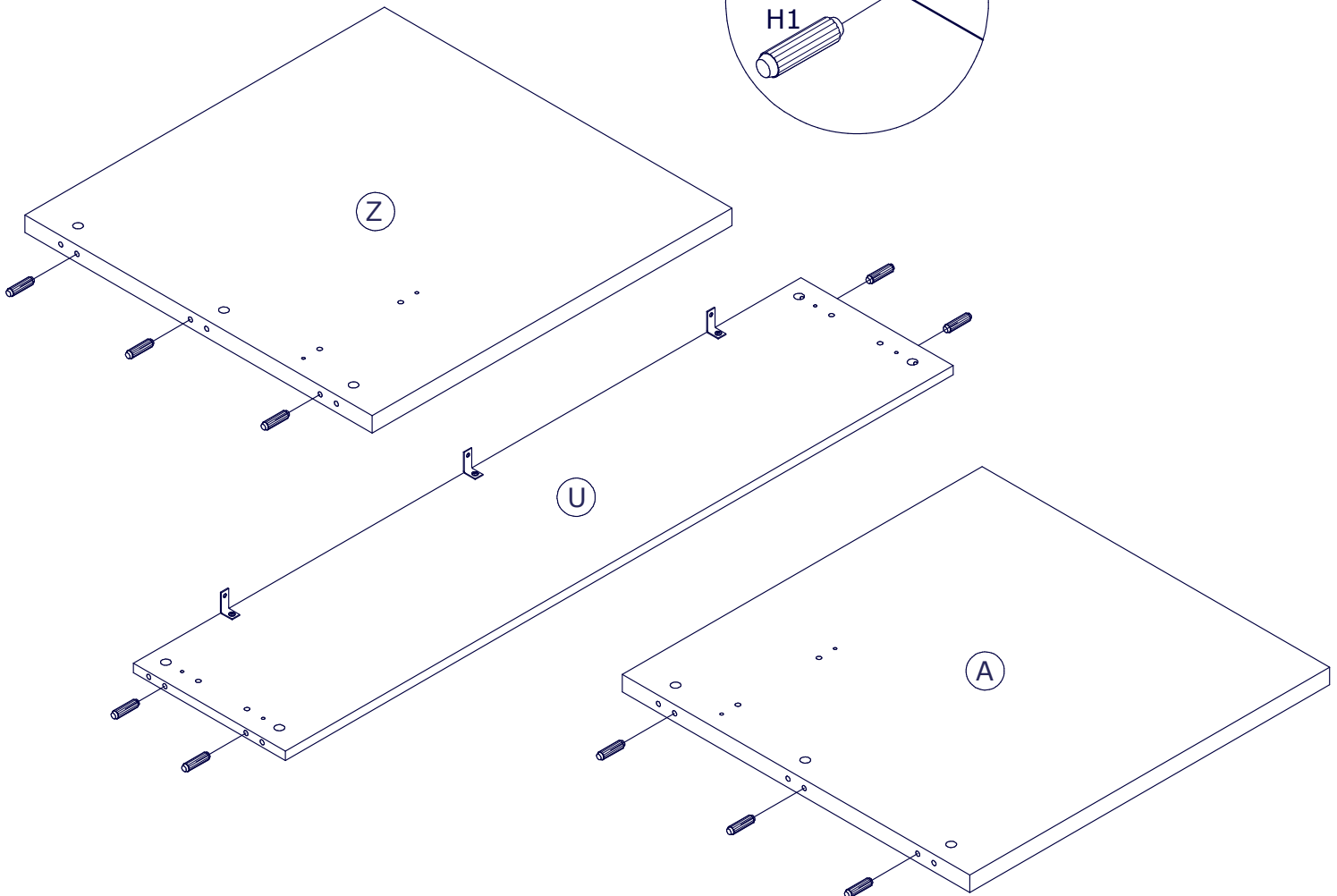
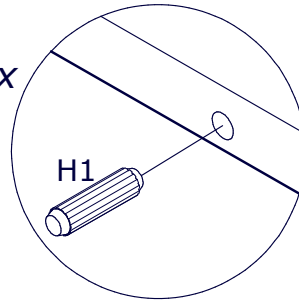
3x



2



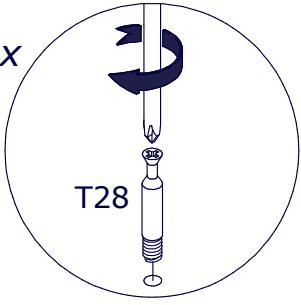
10x



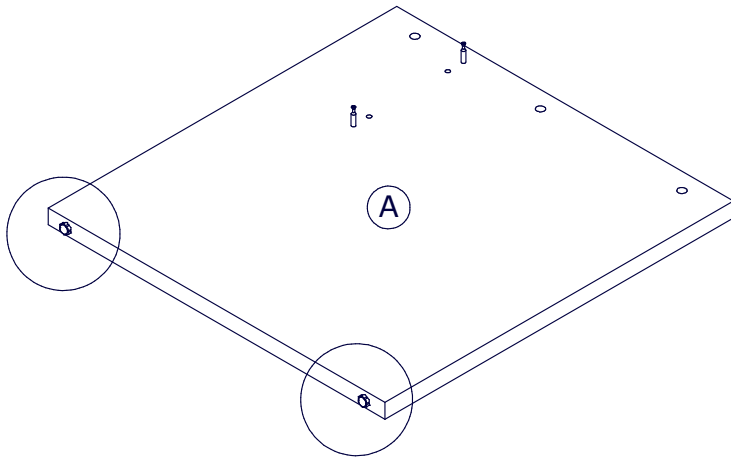
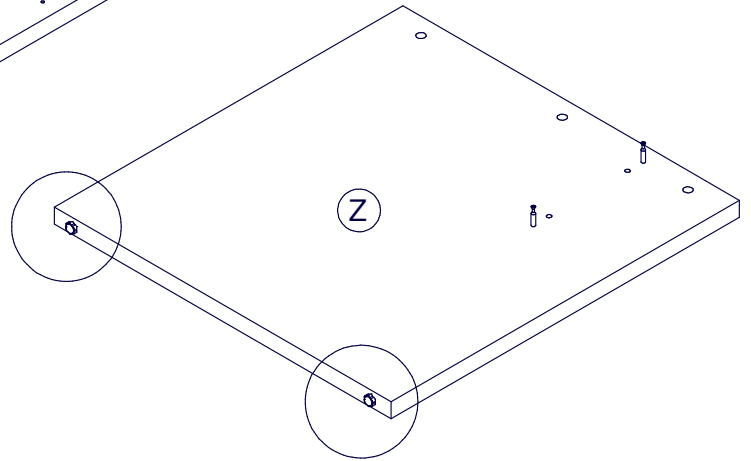
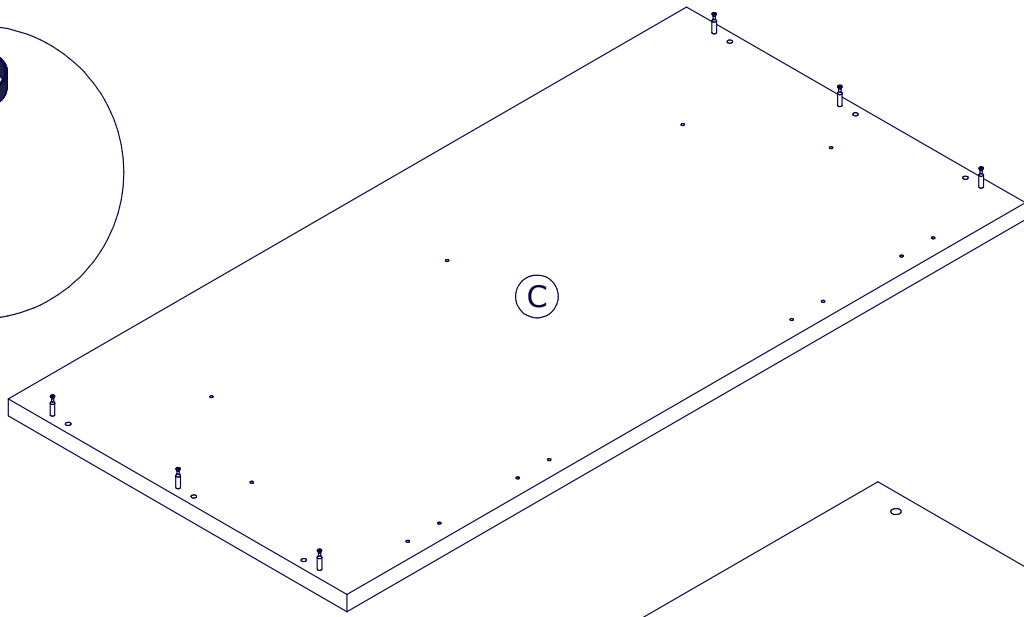
3



10x

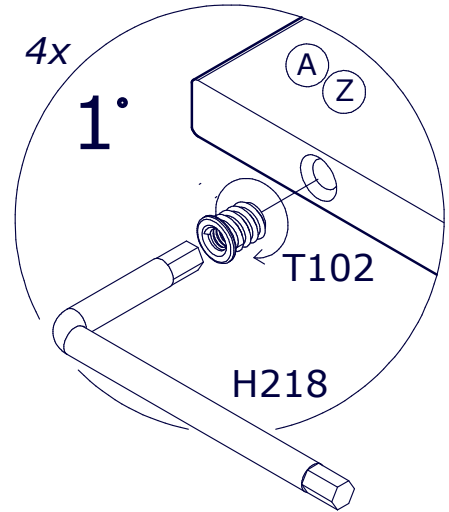


T28



4x

1°

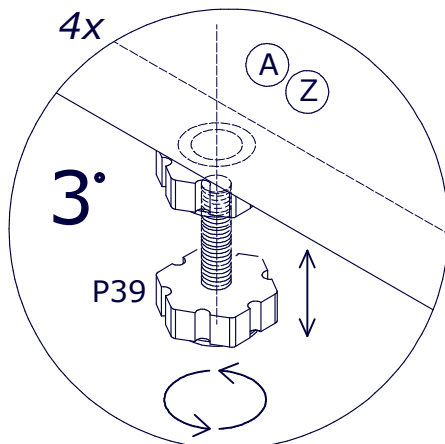


T102

H218

4x

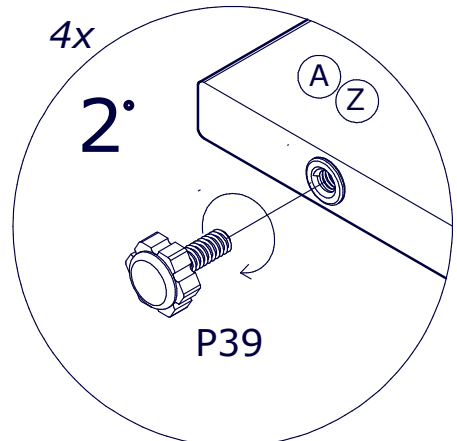
3°



P39

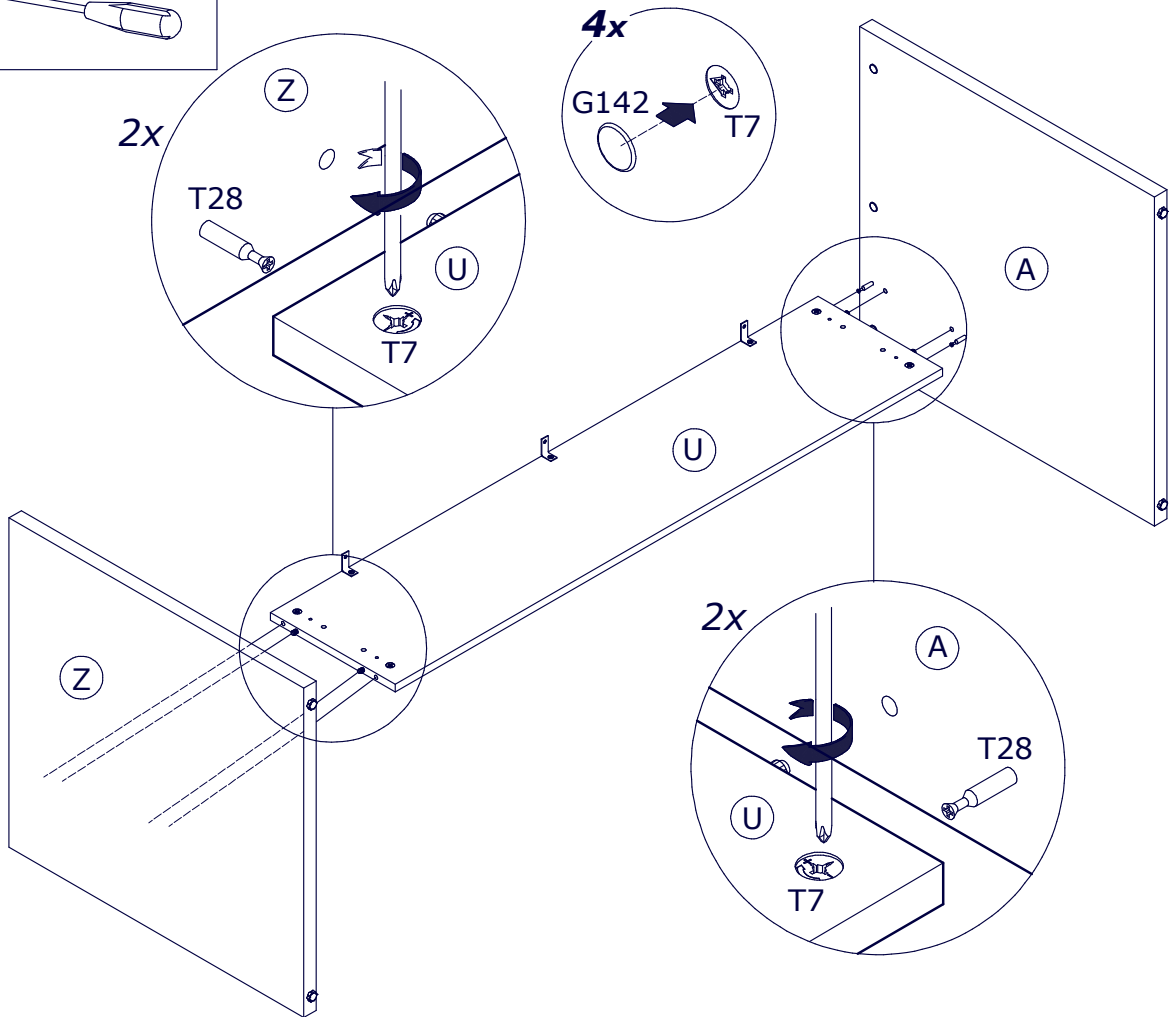
4x

2°

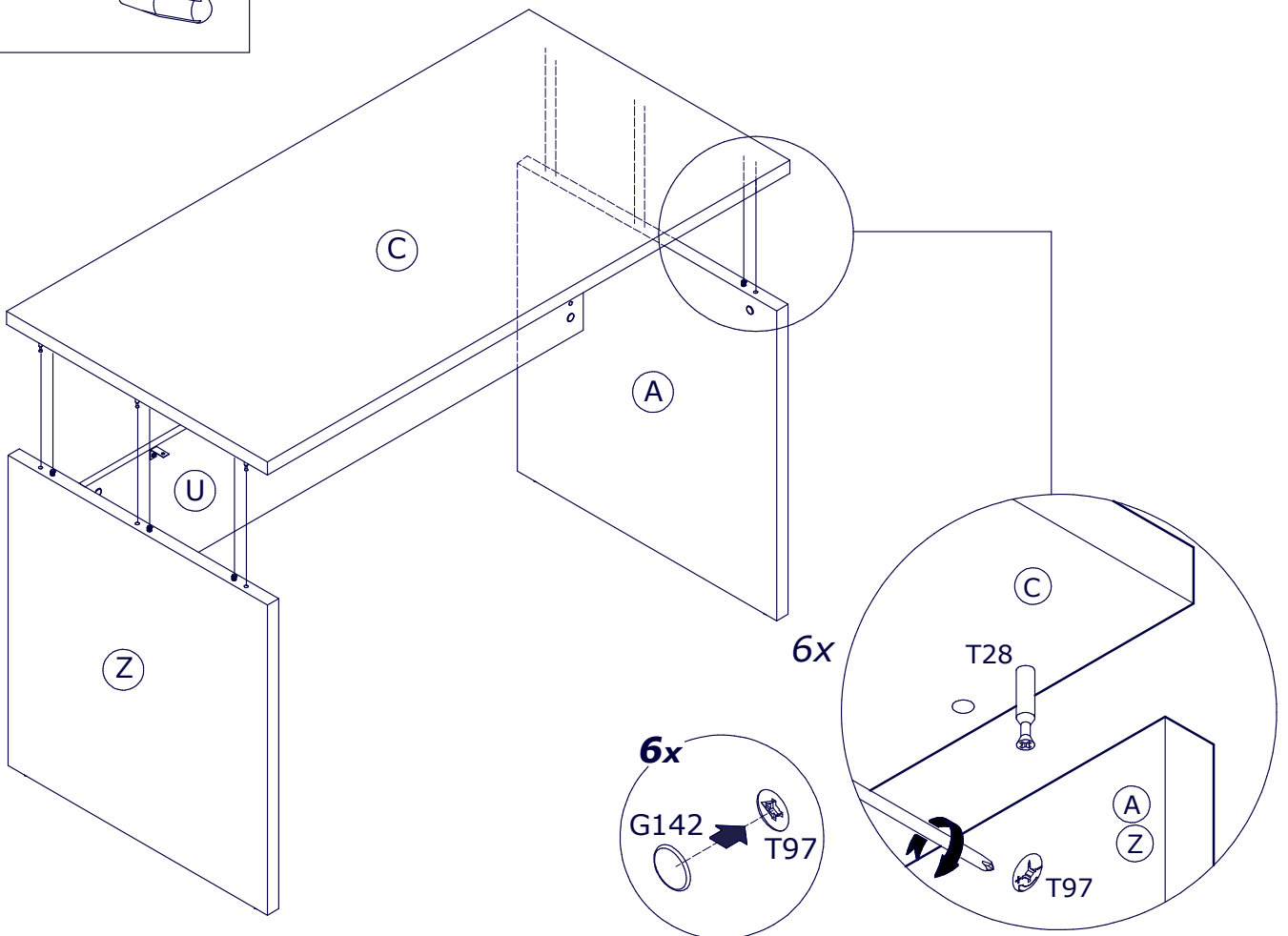
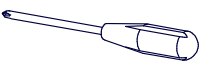


P39

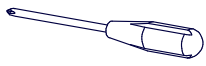
4



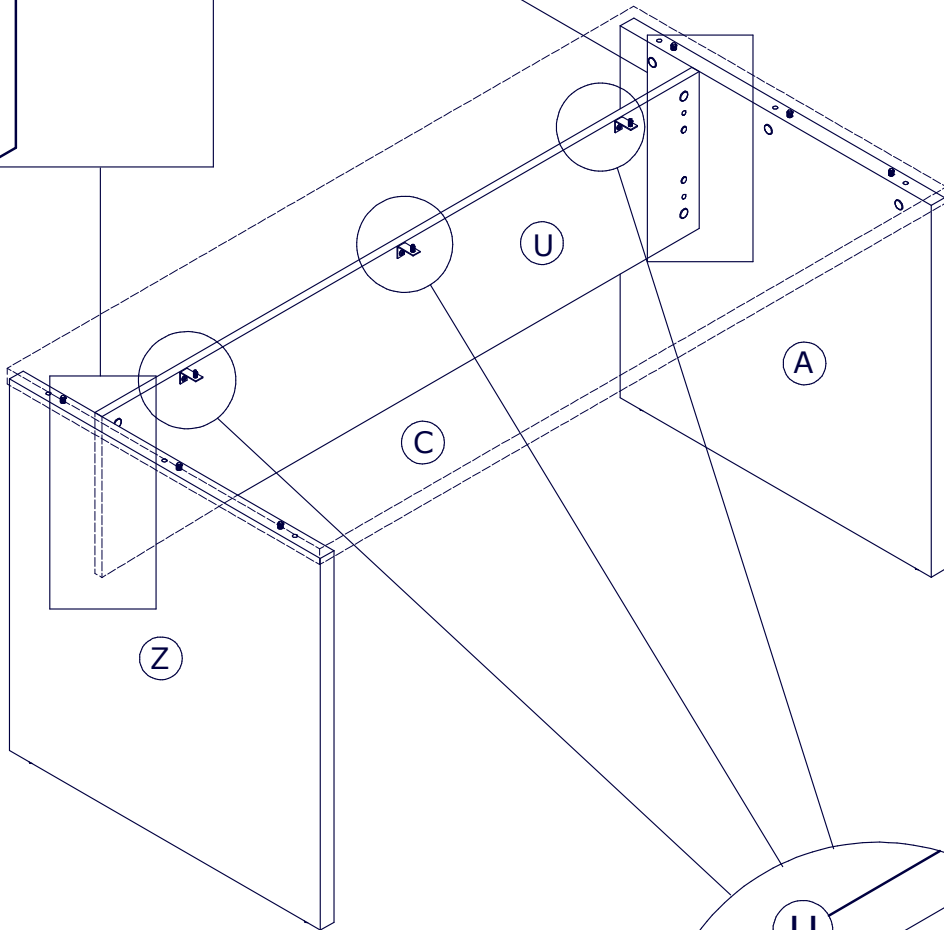
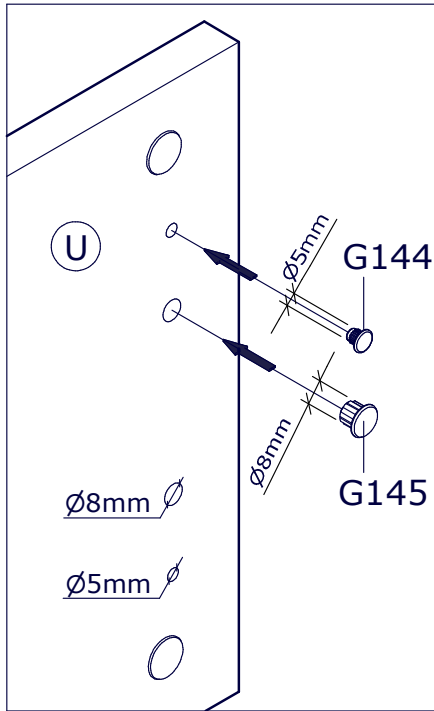
5



6



2x



3x

