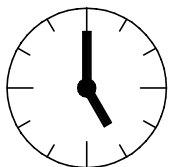
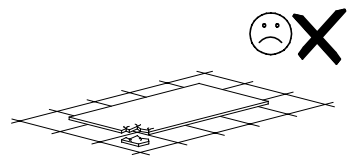
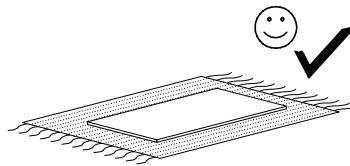
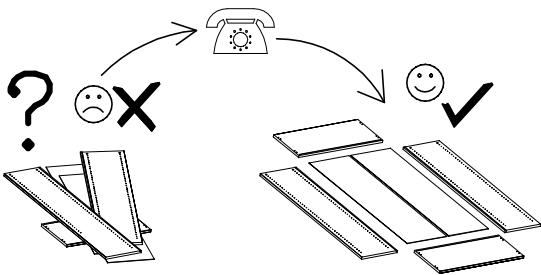
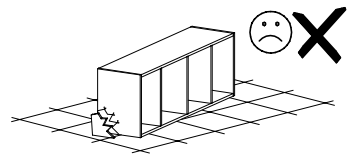
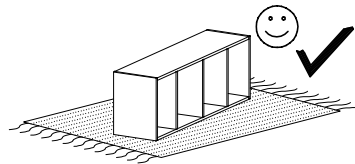
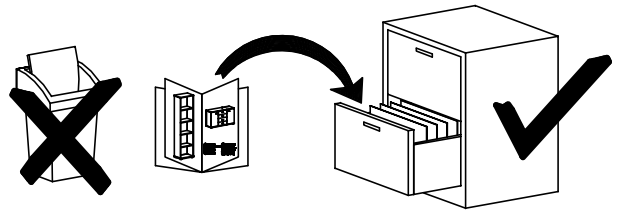
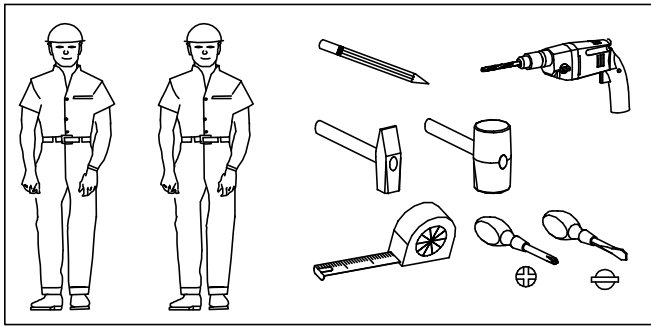
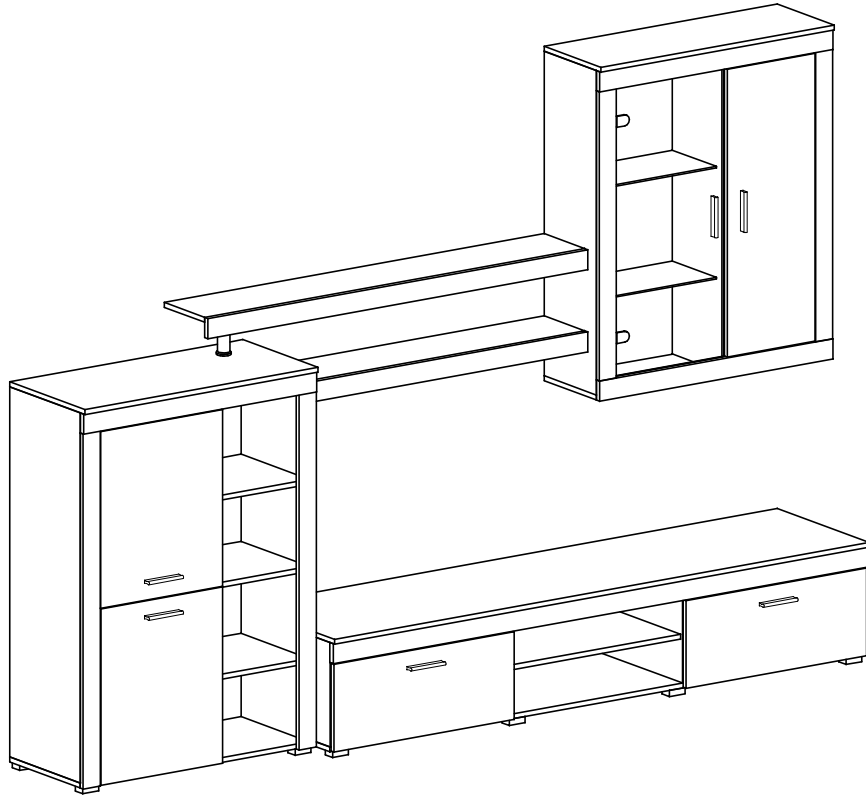
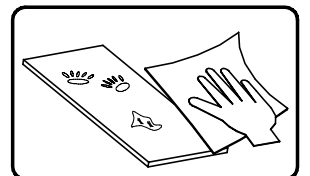
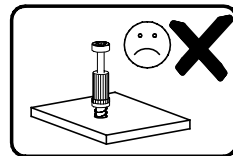
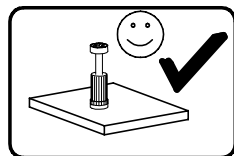


CANBERRA II



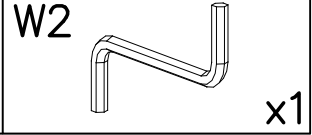
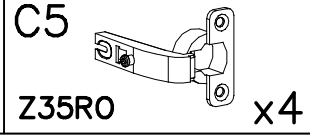
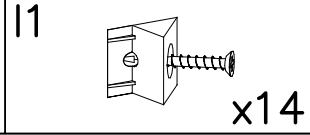
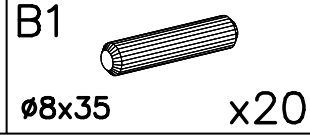
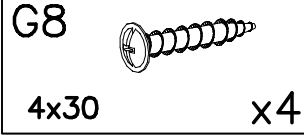
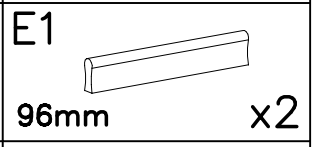
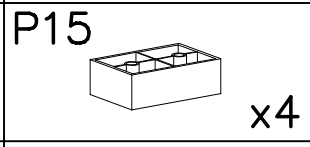
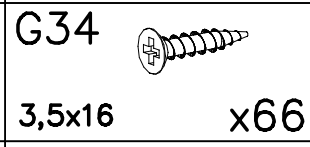
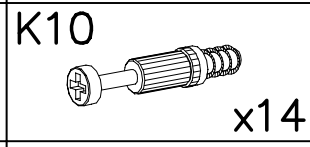
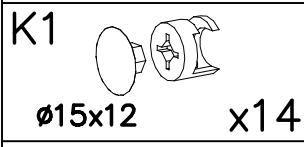
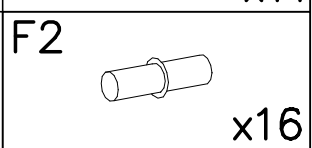
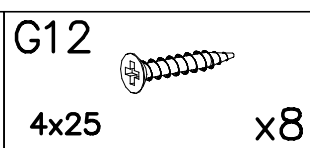
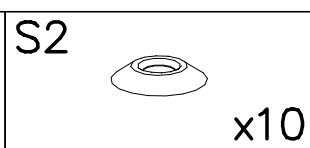
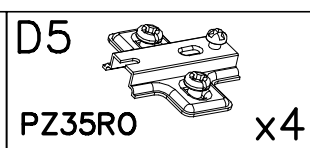
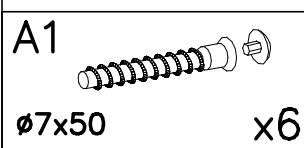
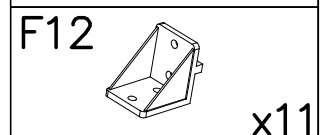
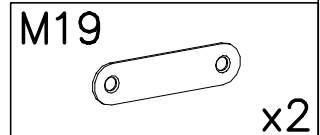
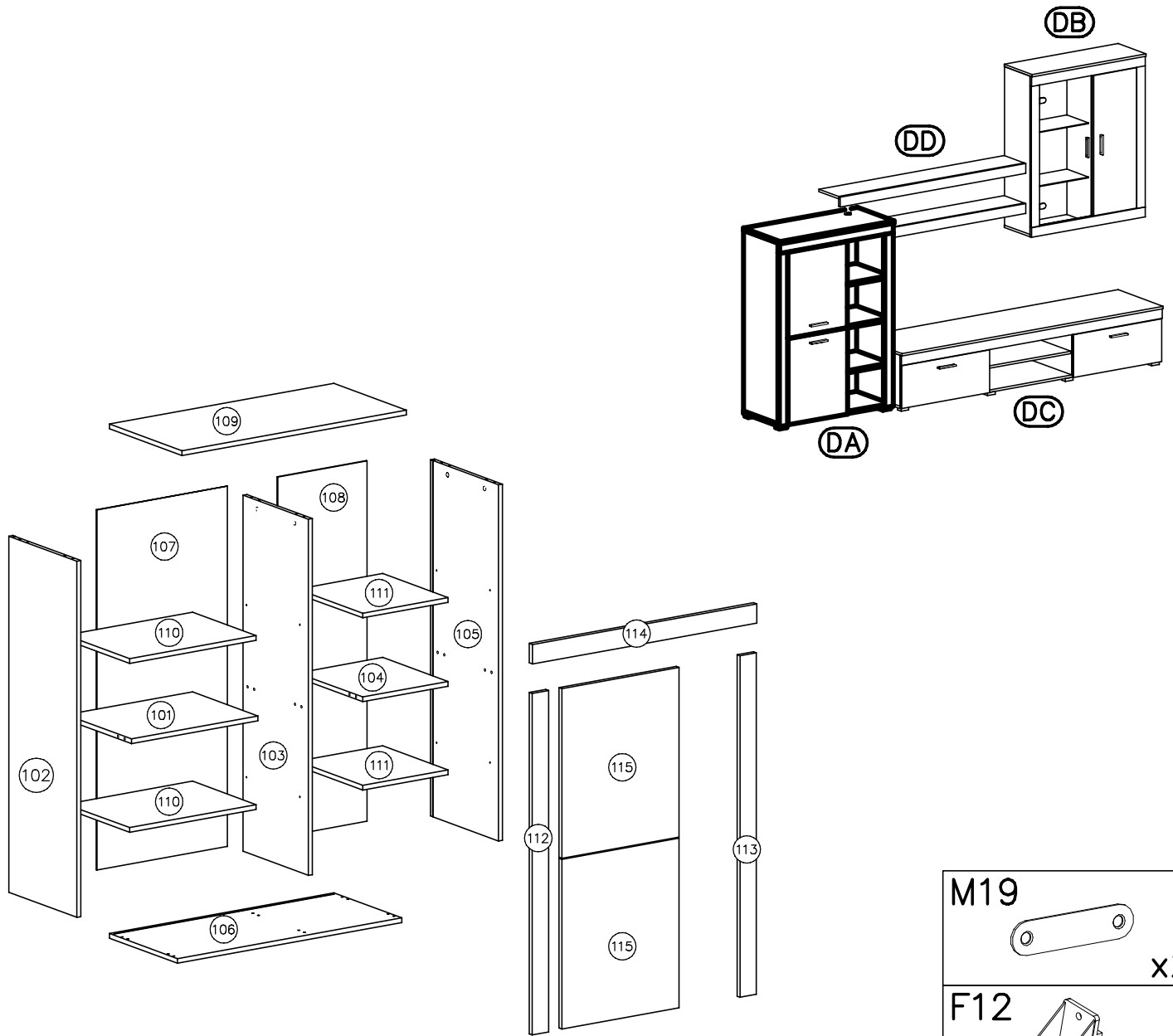
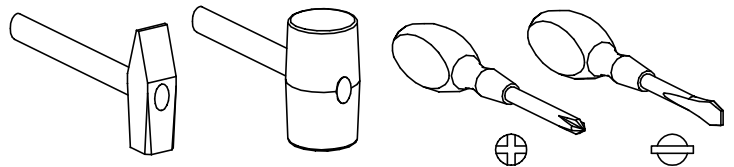
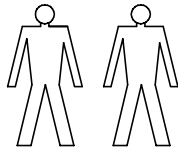
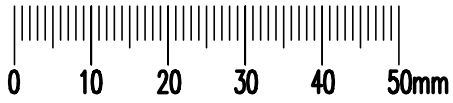
2,5h

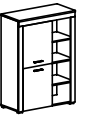


2/22

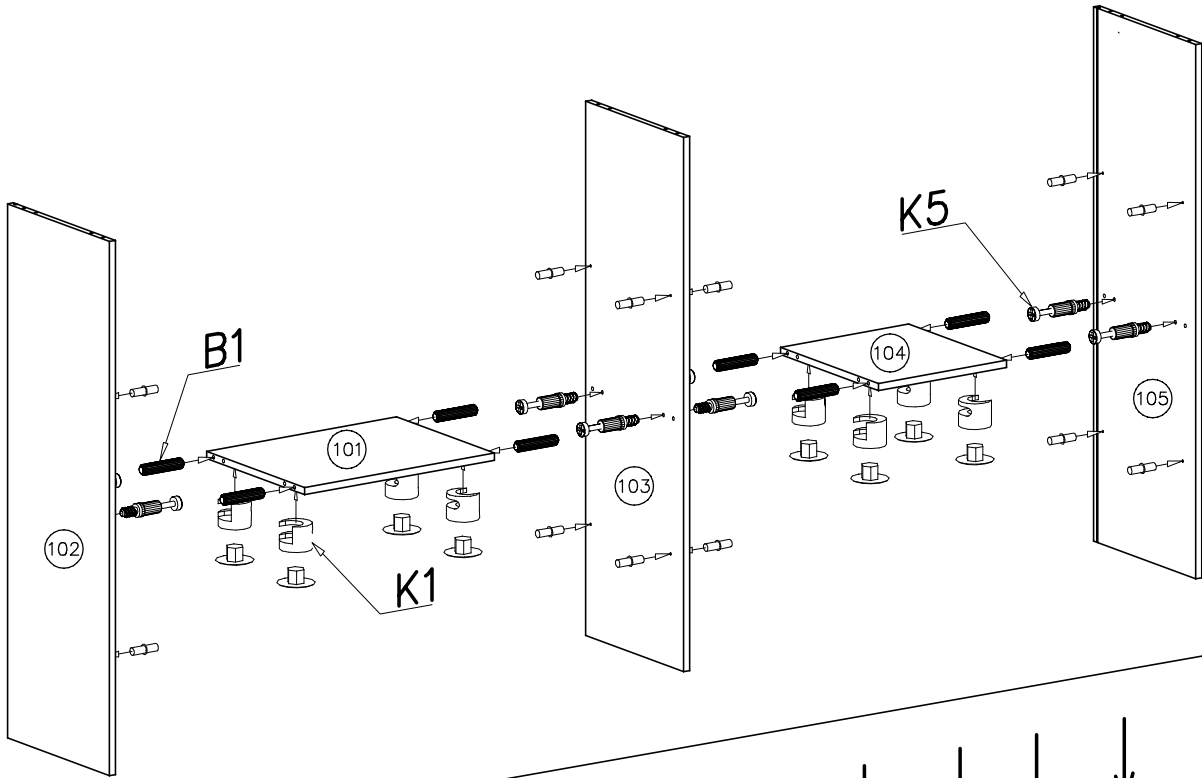
CANBERRA II

< DA >

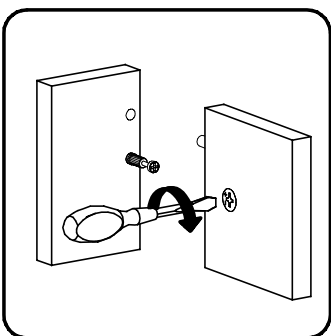
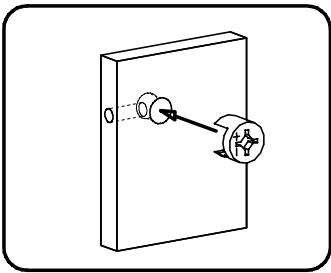
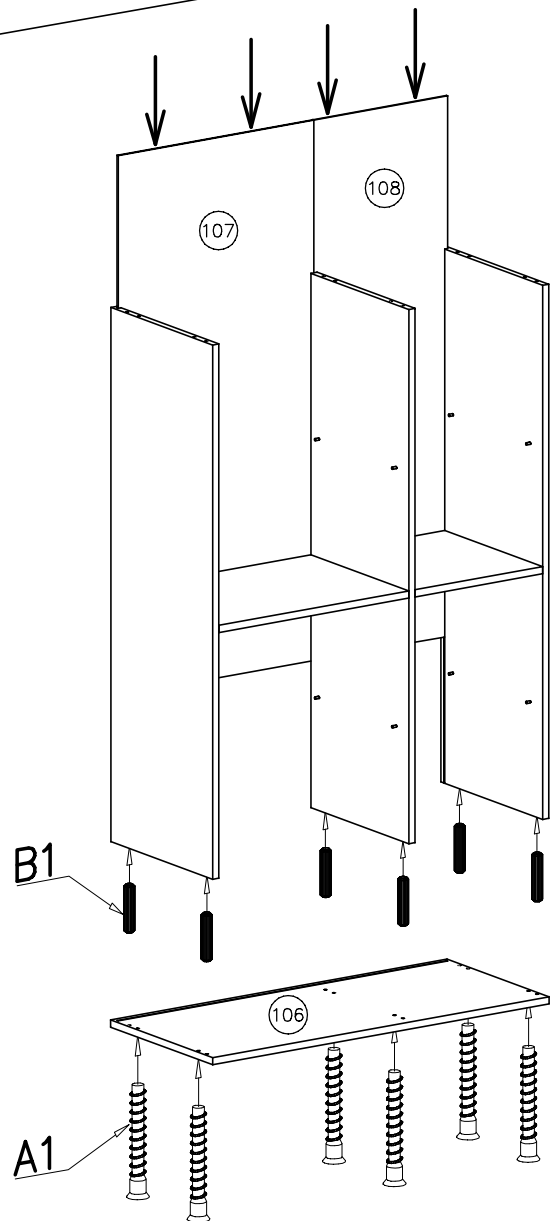
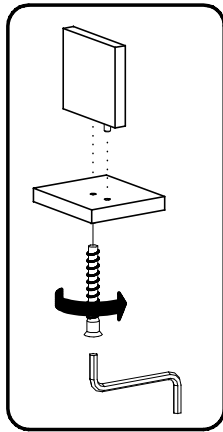


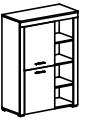


I

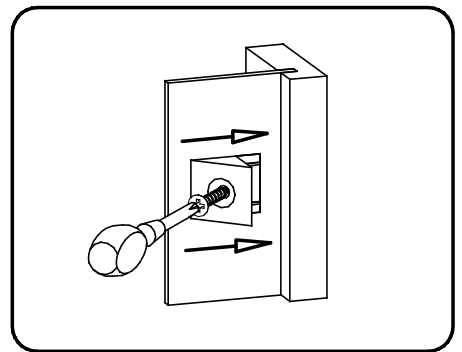
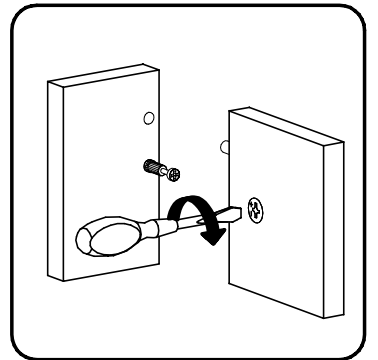
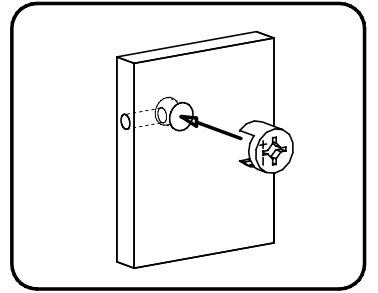
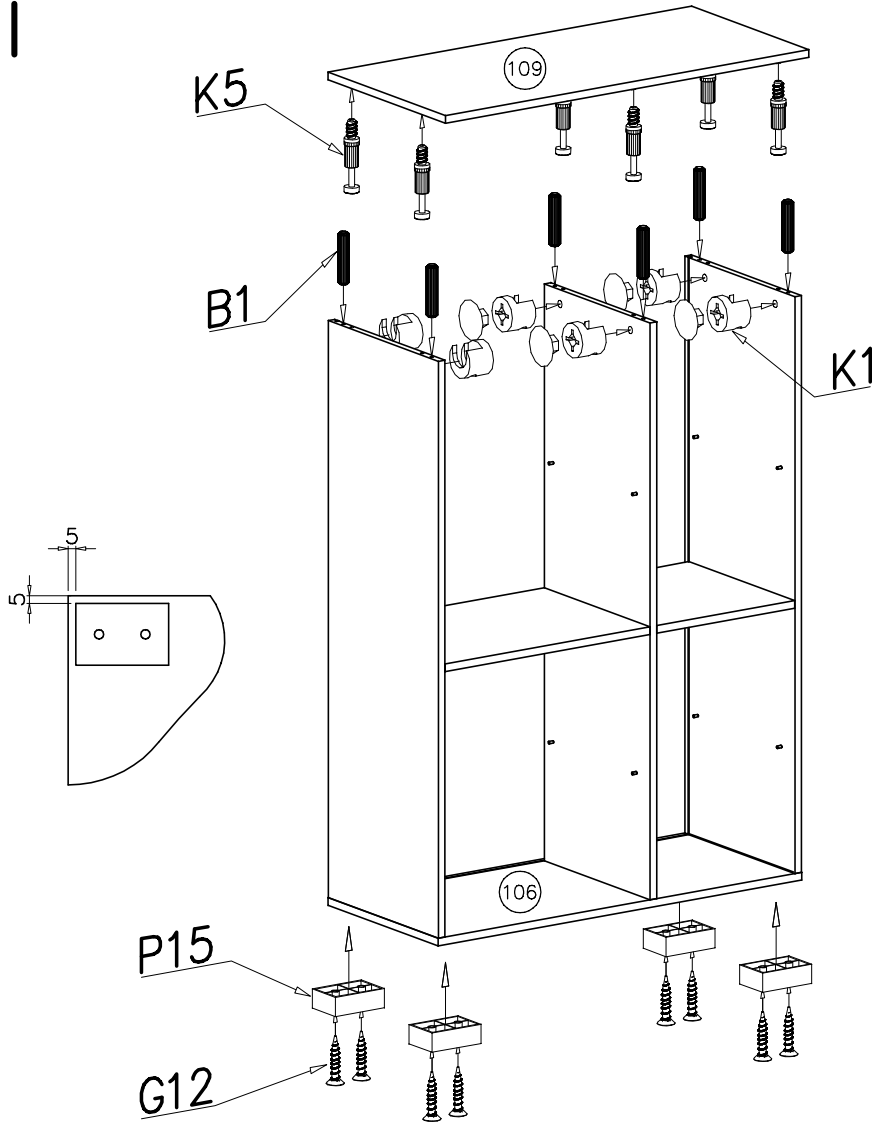


II

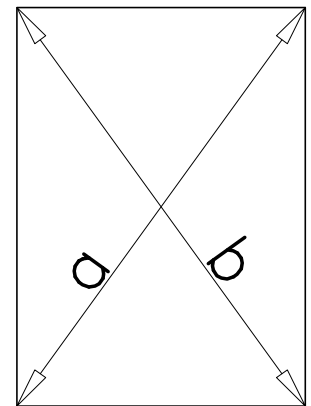
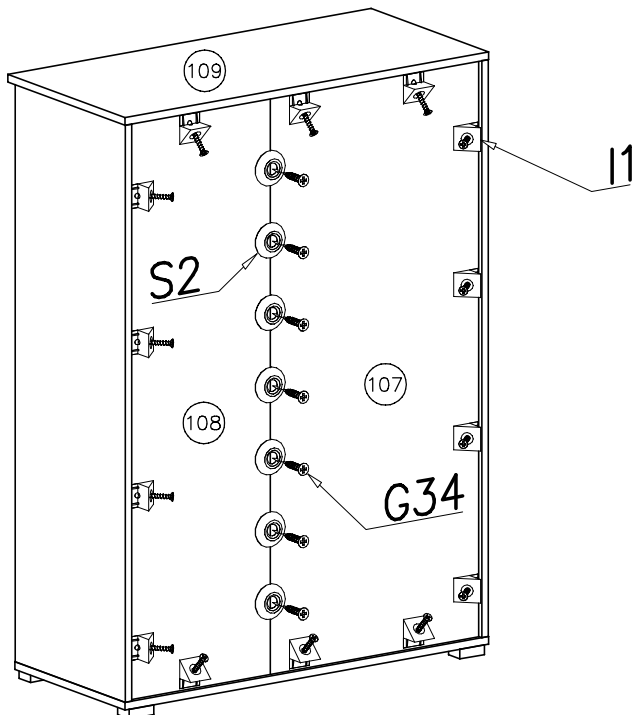




III



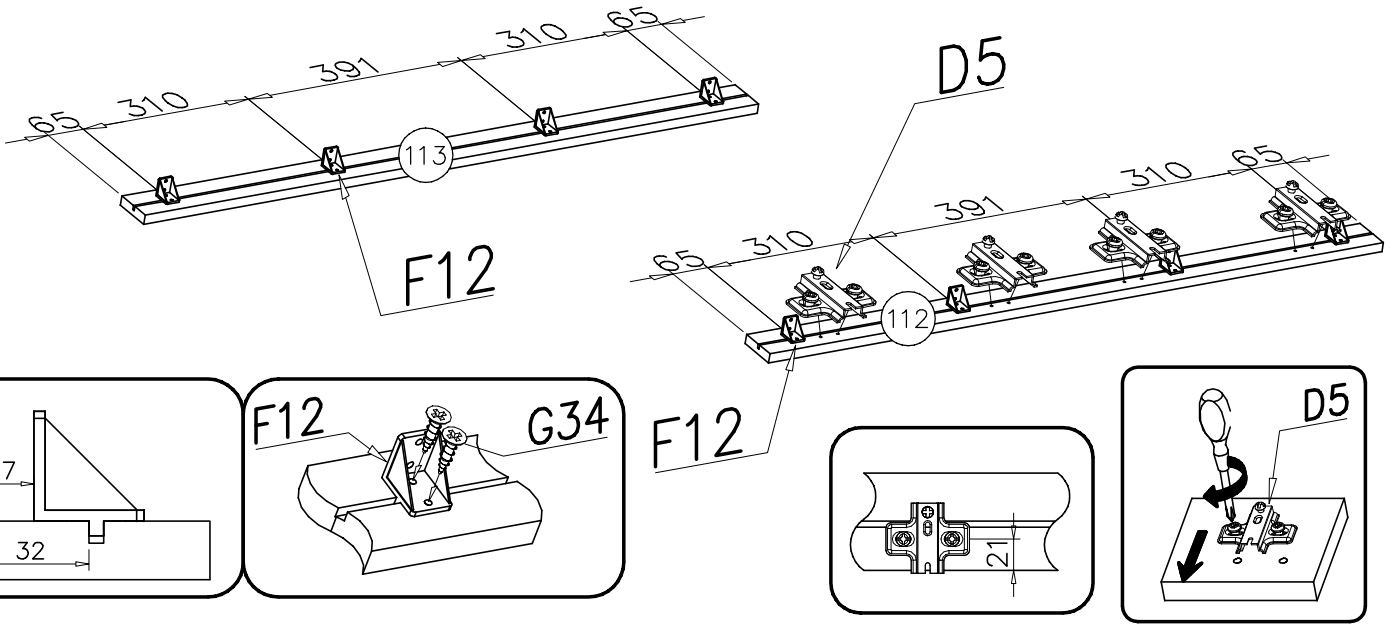
IV



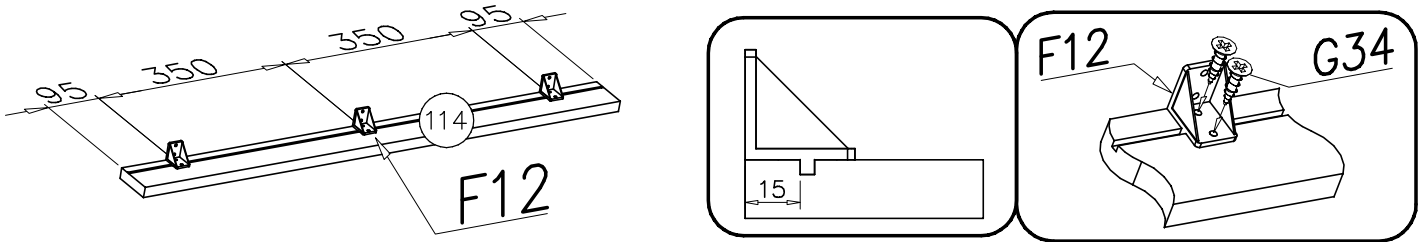
$$a = b$$



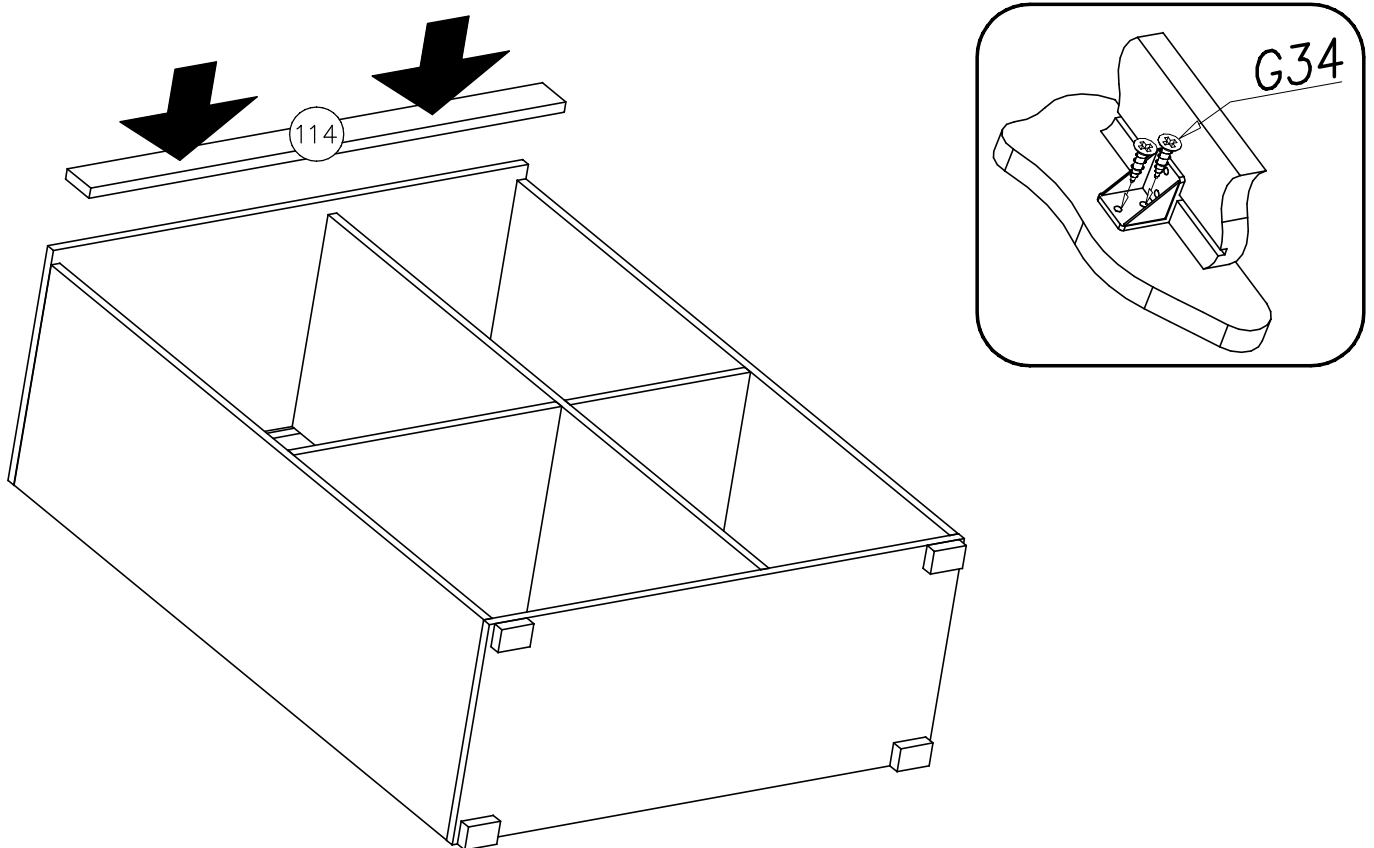
V

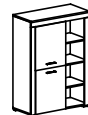


VI

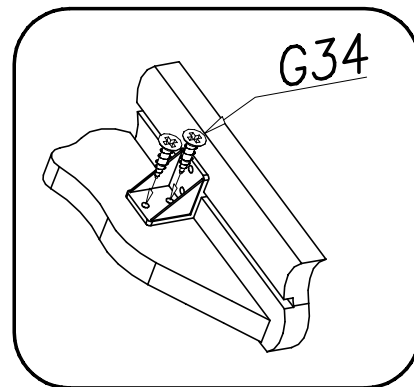
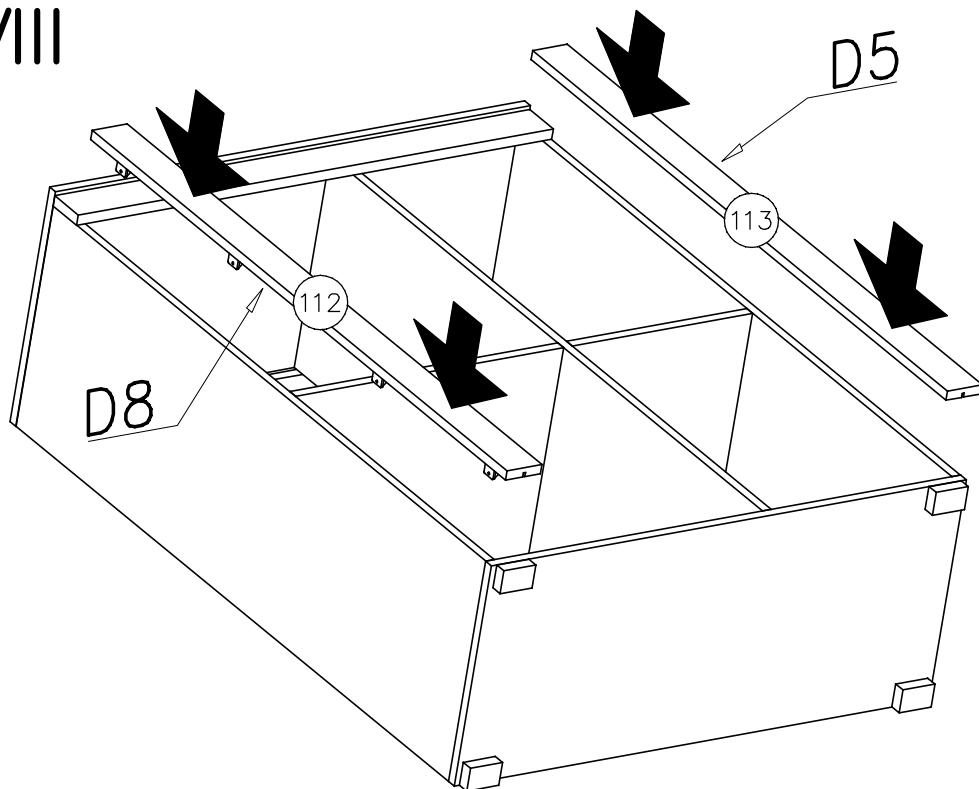


VII

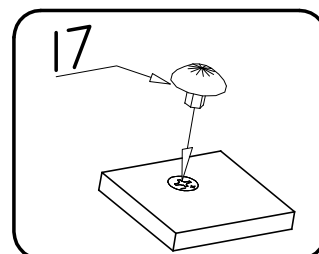
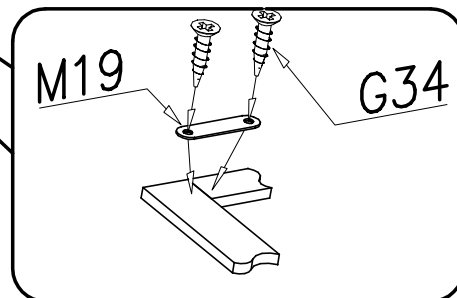
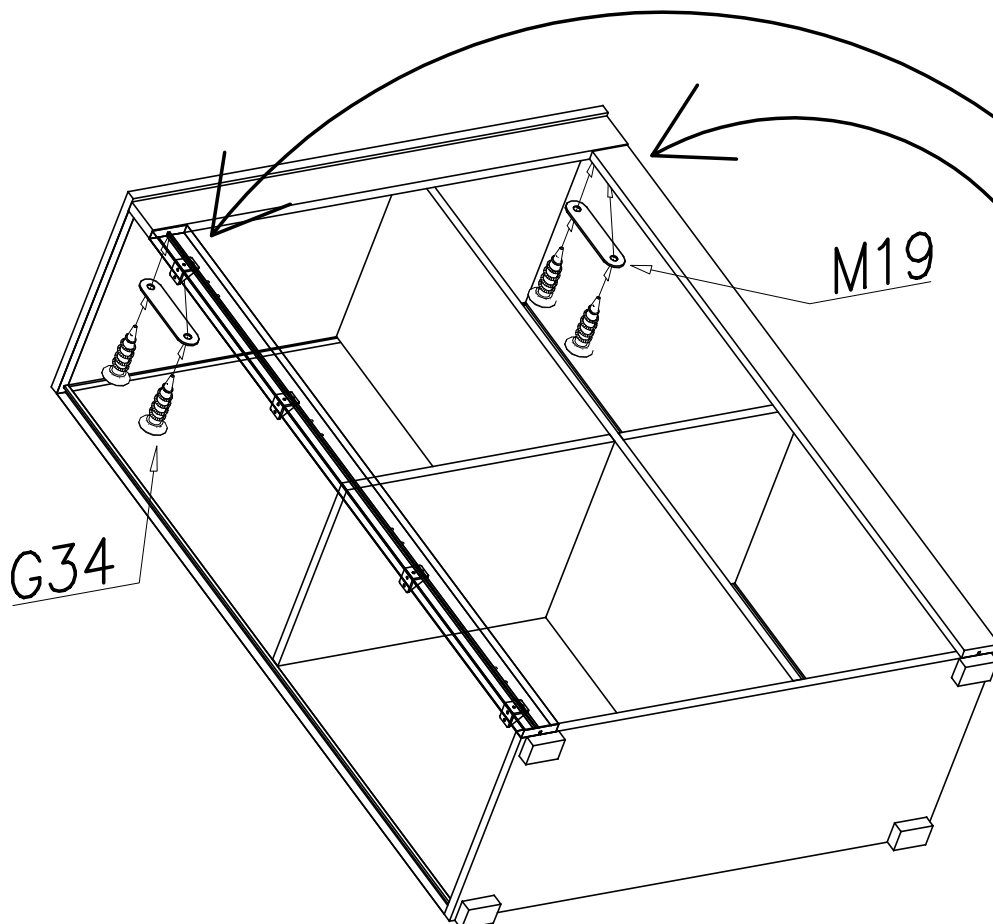




VIII

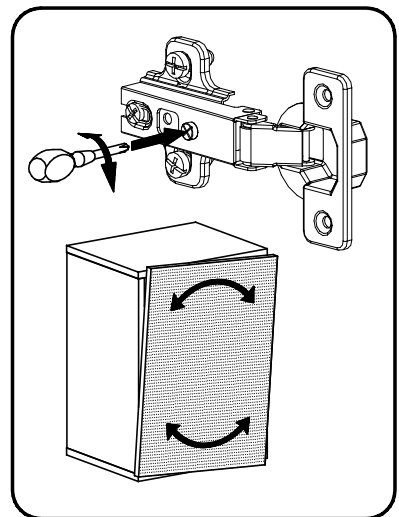
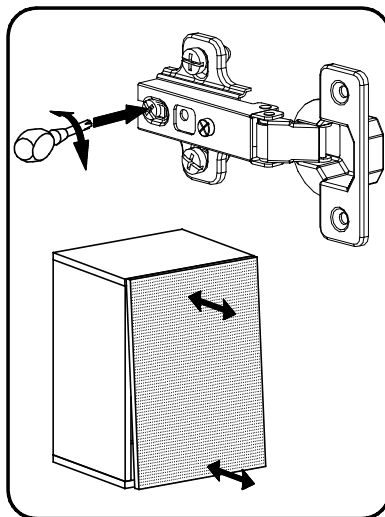
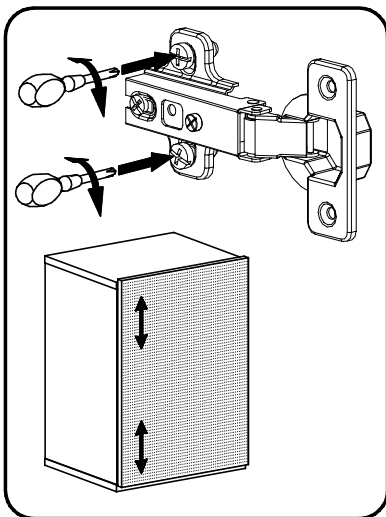
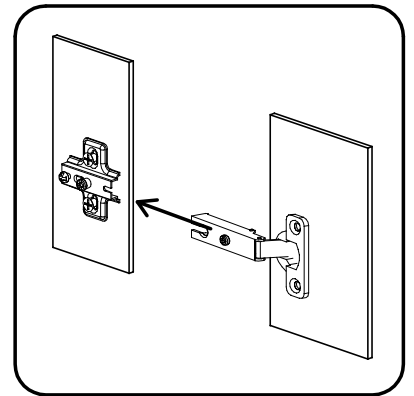
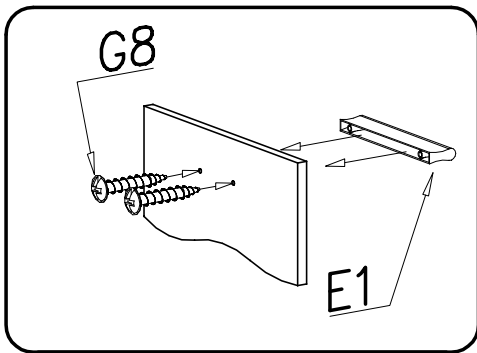
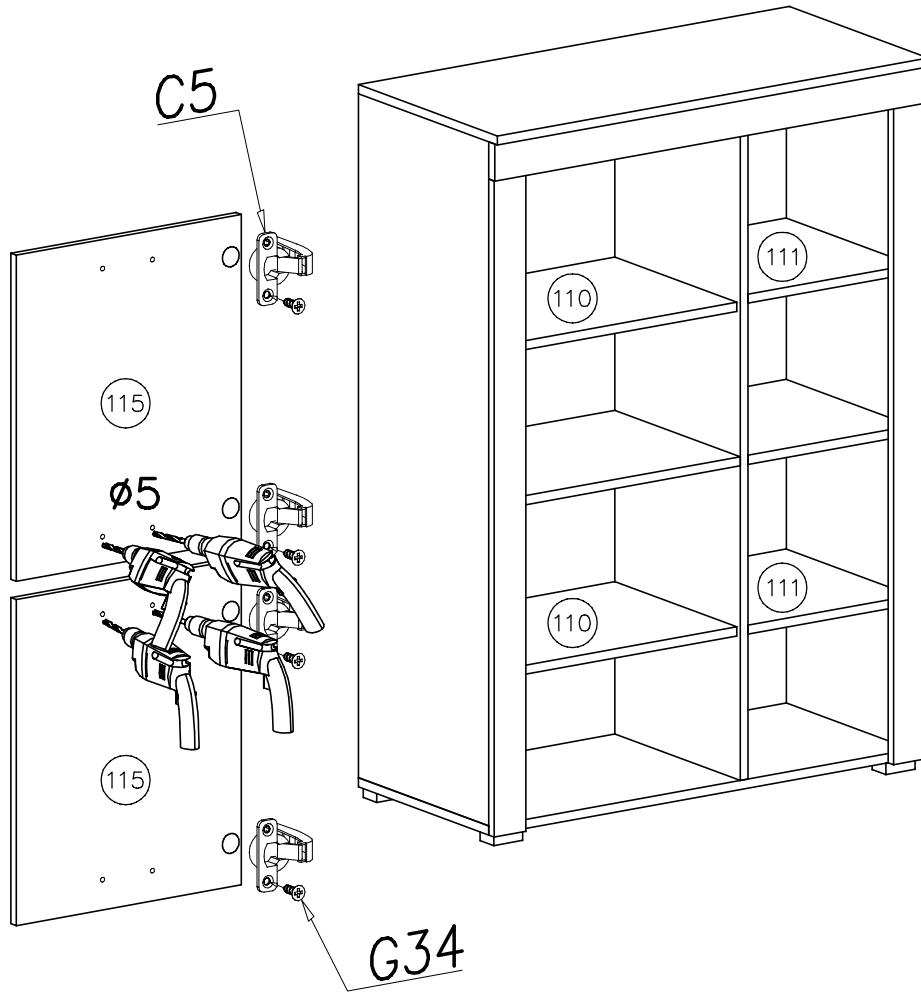


IX





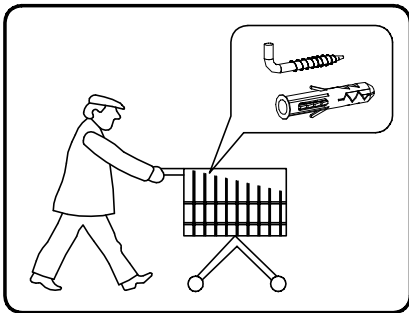
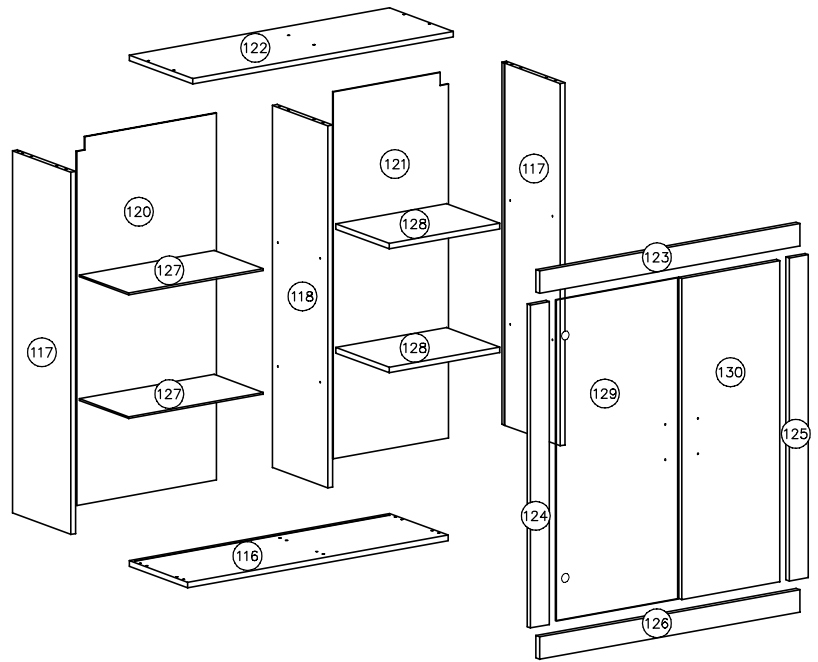
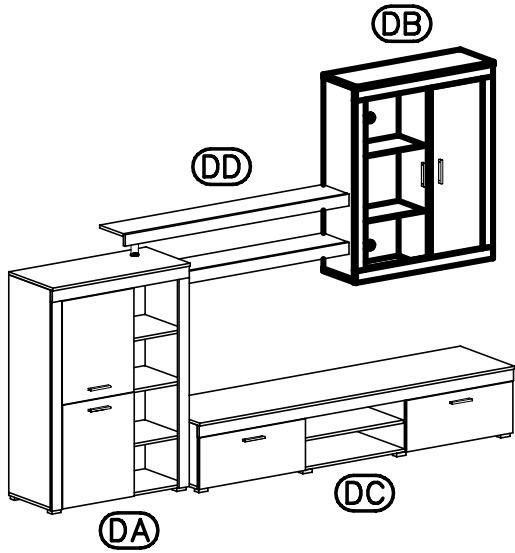
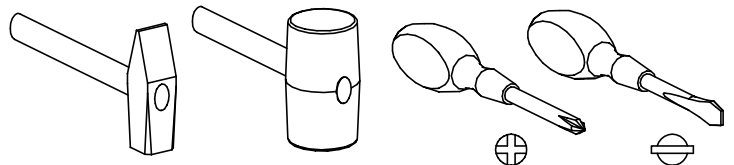
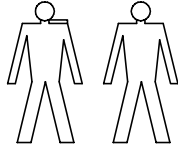
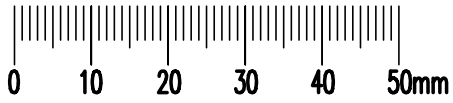
X

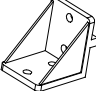
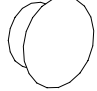
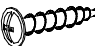

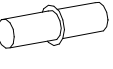
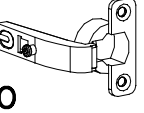

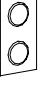

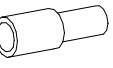
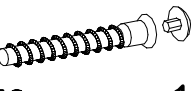
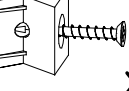

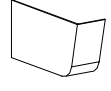


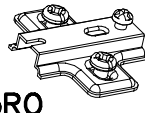
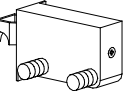
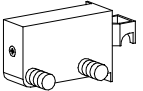



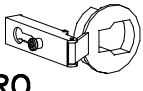

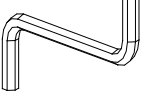


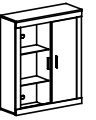
8/22

CANBERRA II

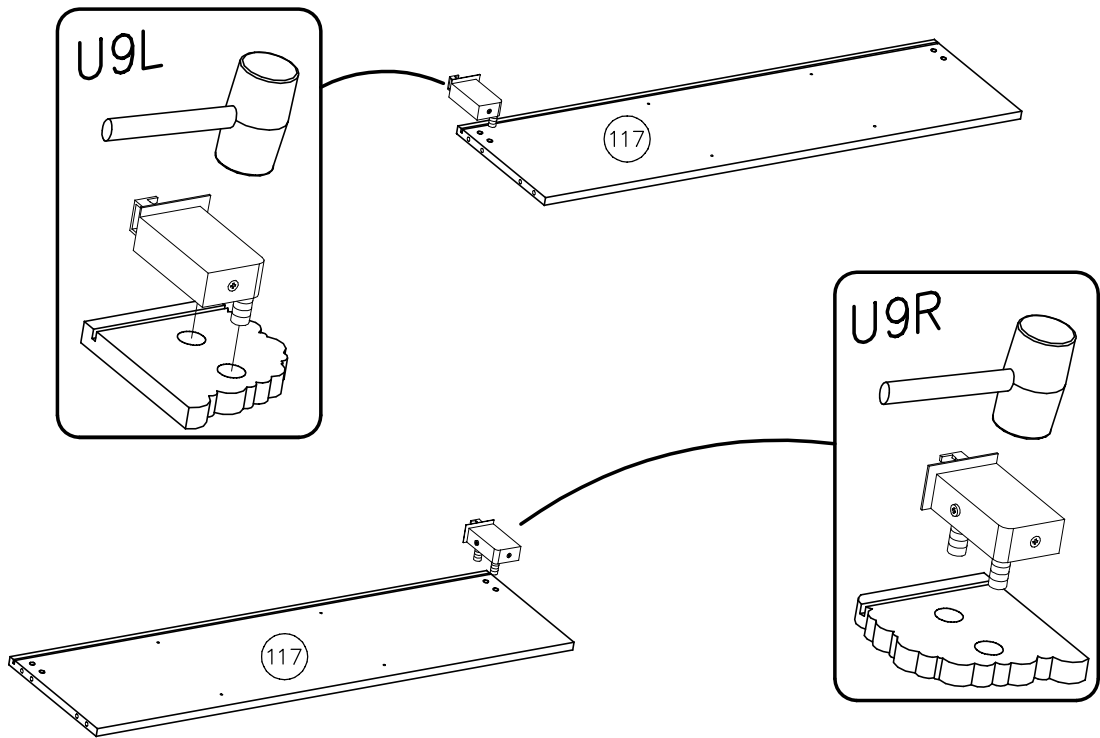
< DB >



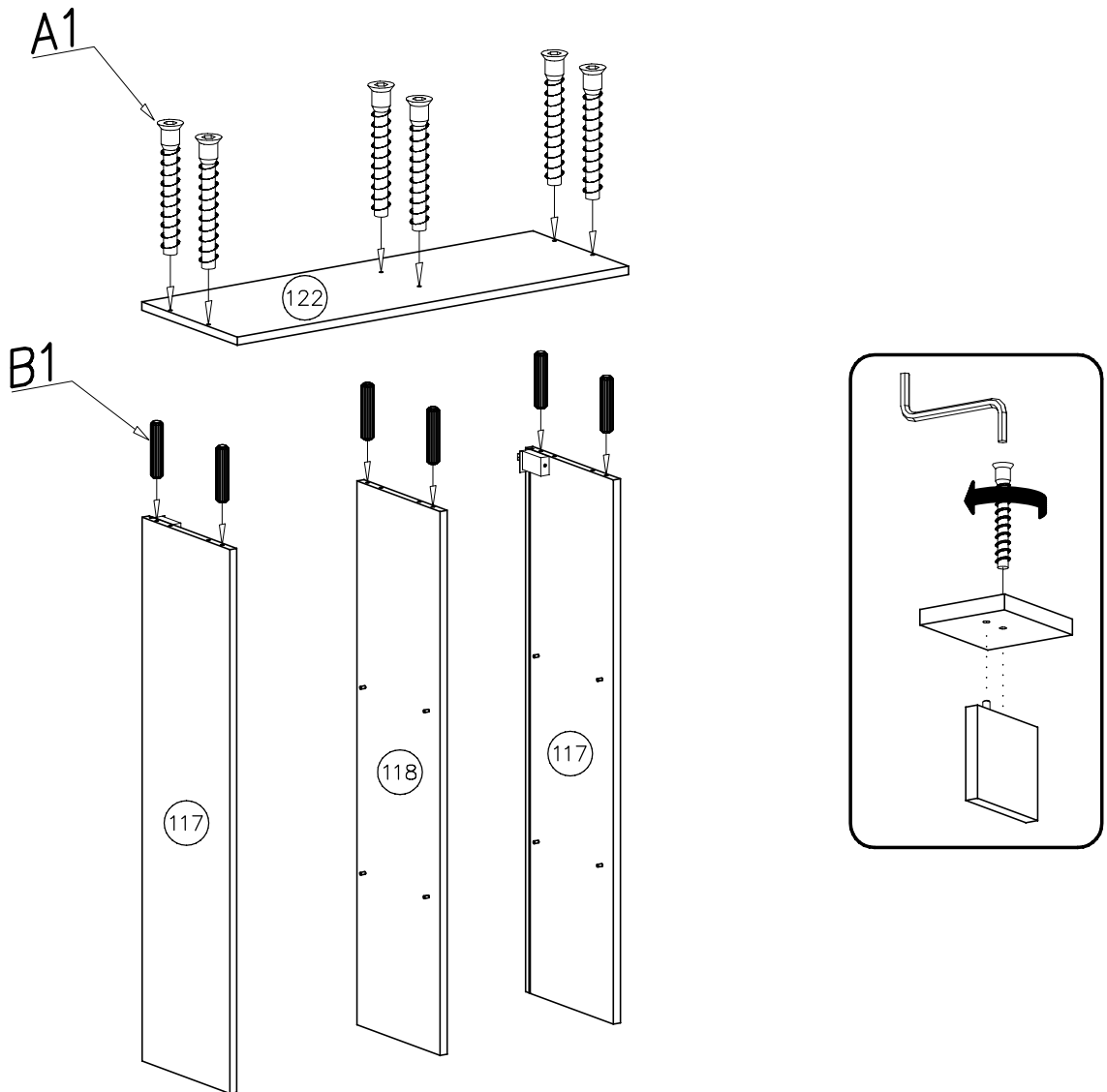
F12  x12	I10  ø10 x4	G13  4x20 x2	M19  x4	F2  x8
C5  Z35R0 x2	G34  3,5x16 x68	W3  x2	U10L  x1	F11  x8
A1  ø7x50 x12	I1  x10	S2  x8	U10R  x1	W1  GLUE, LEIM, LEPIDLO, LIM x4
S3  pcv x2	D5  PZ35R0 x2	U9L  x1	U9R  x1	E1  96mm x2
G8  4x30 x2	B1  ø8x35 x12	C8  ZS26R0 x2	D8  PZS26R0 x2	W2  x1

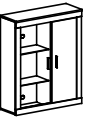


I

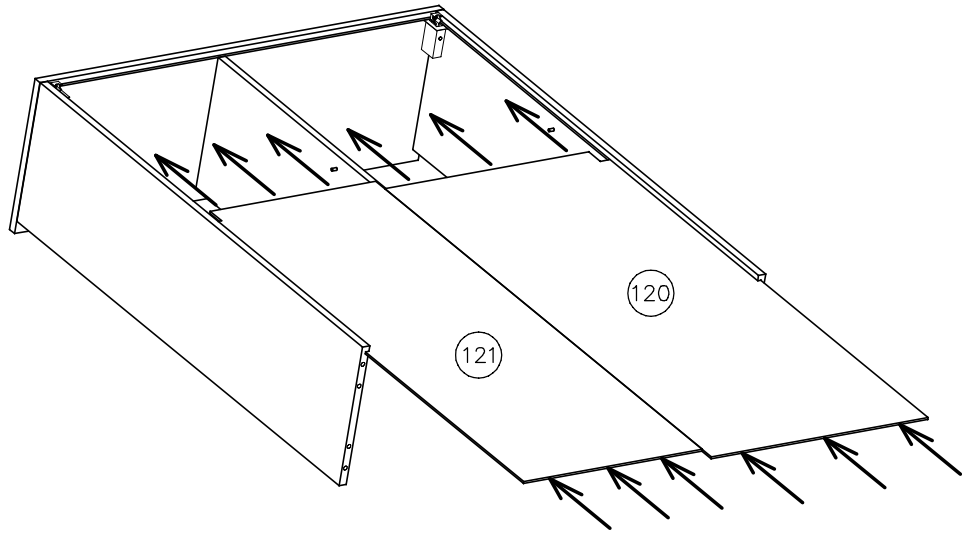


II

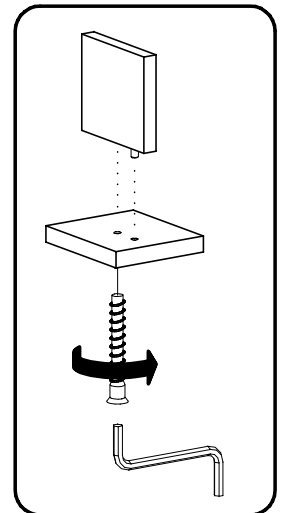
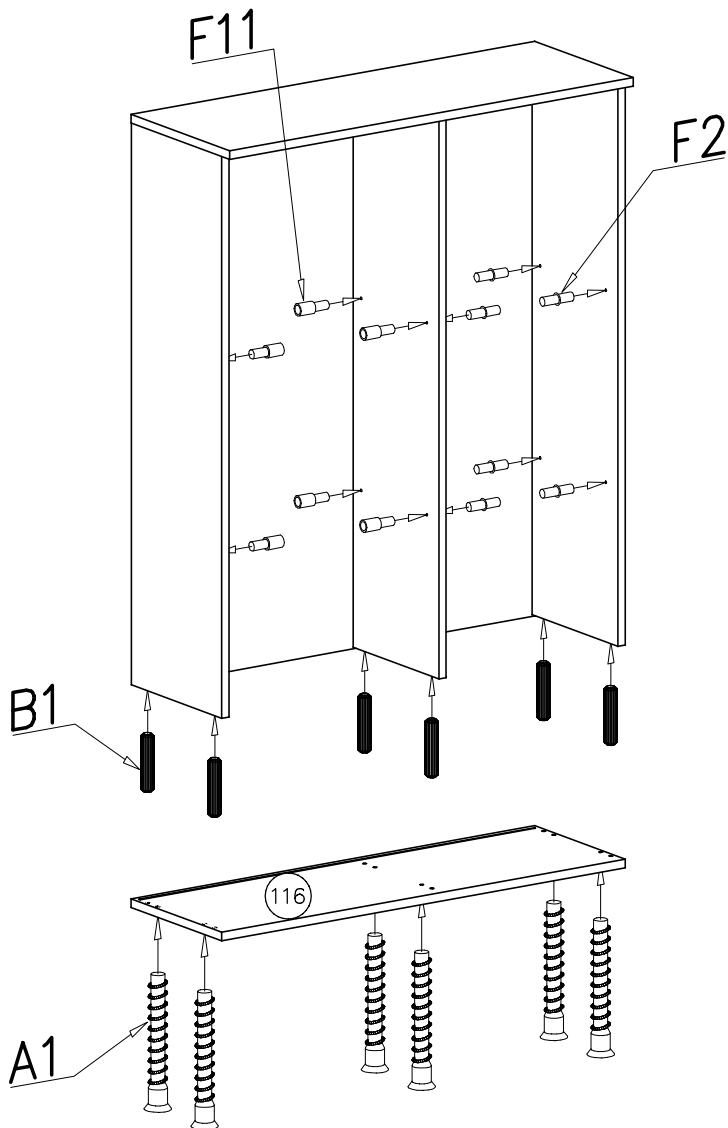


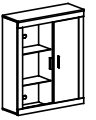


III

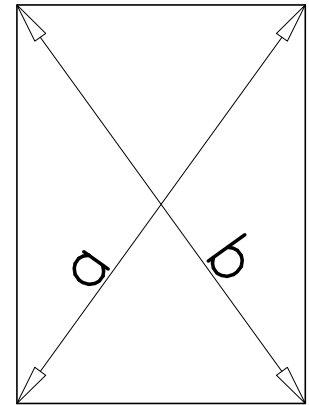
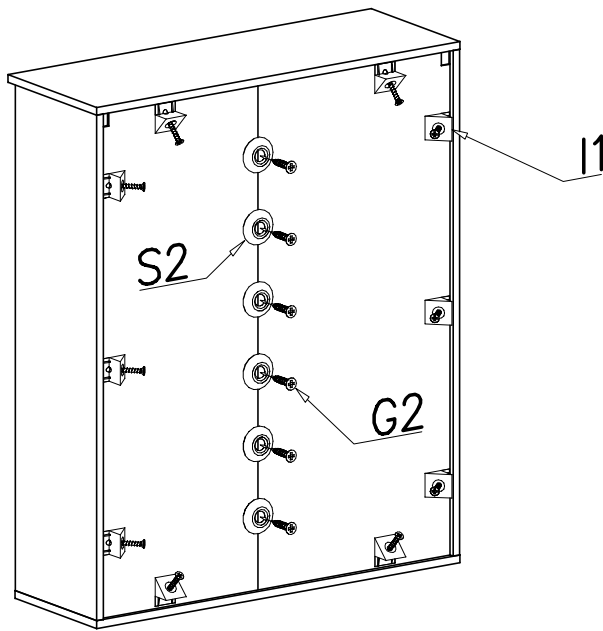


IV

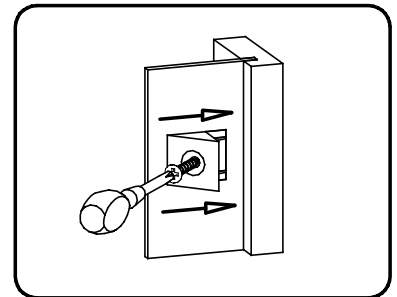




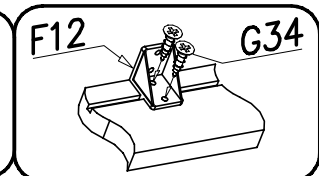
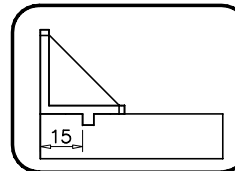
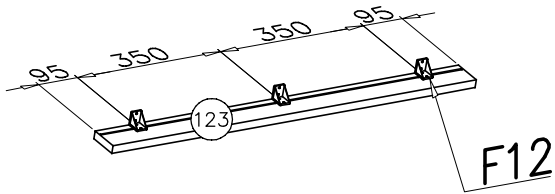
V



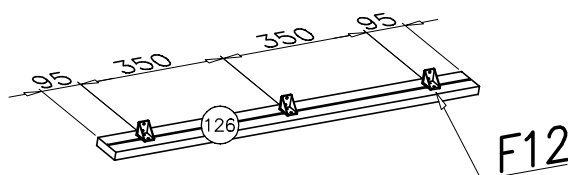
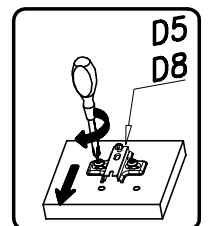
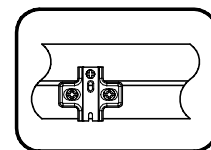
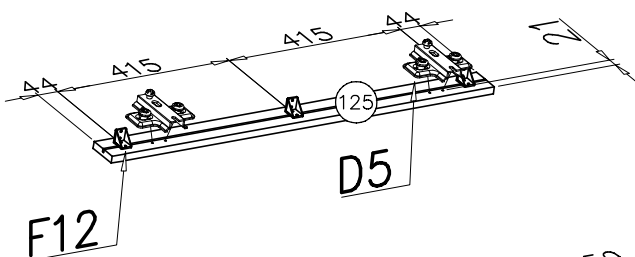
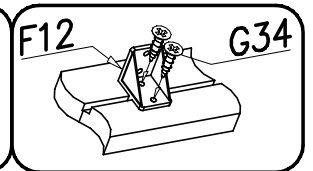
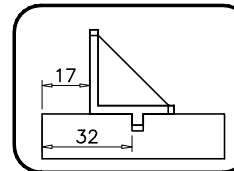
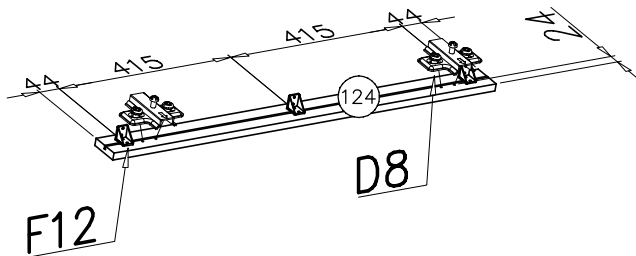
a = b

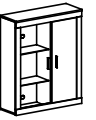


VI

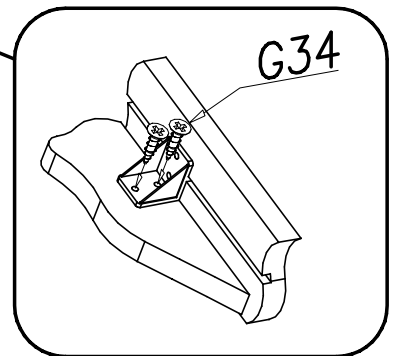
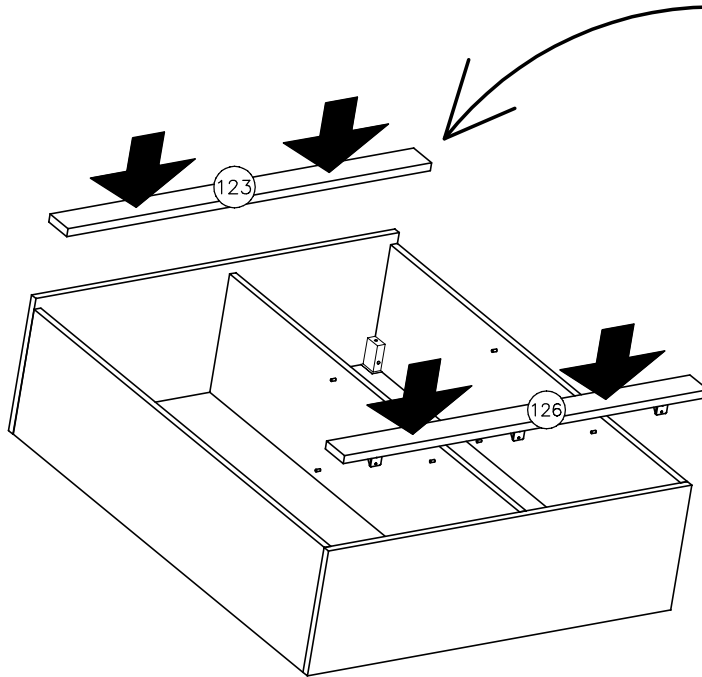
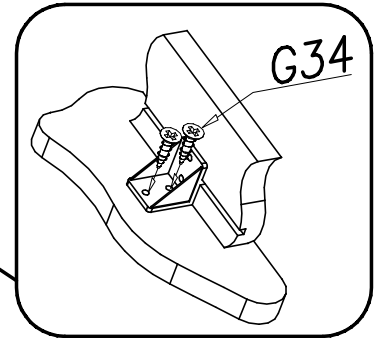
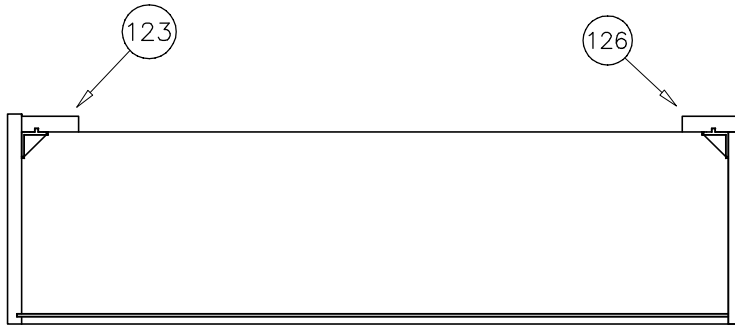


VII

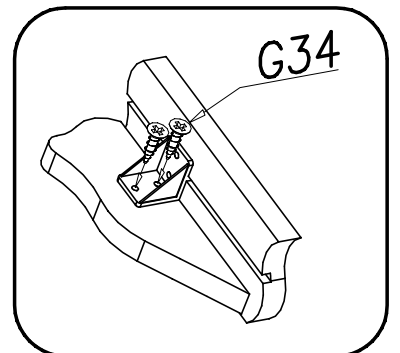
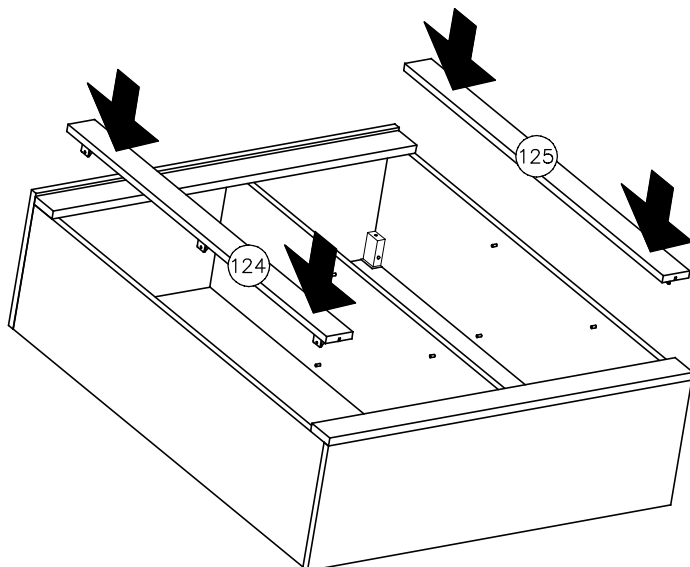


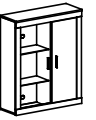


VIII

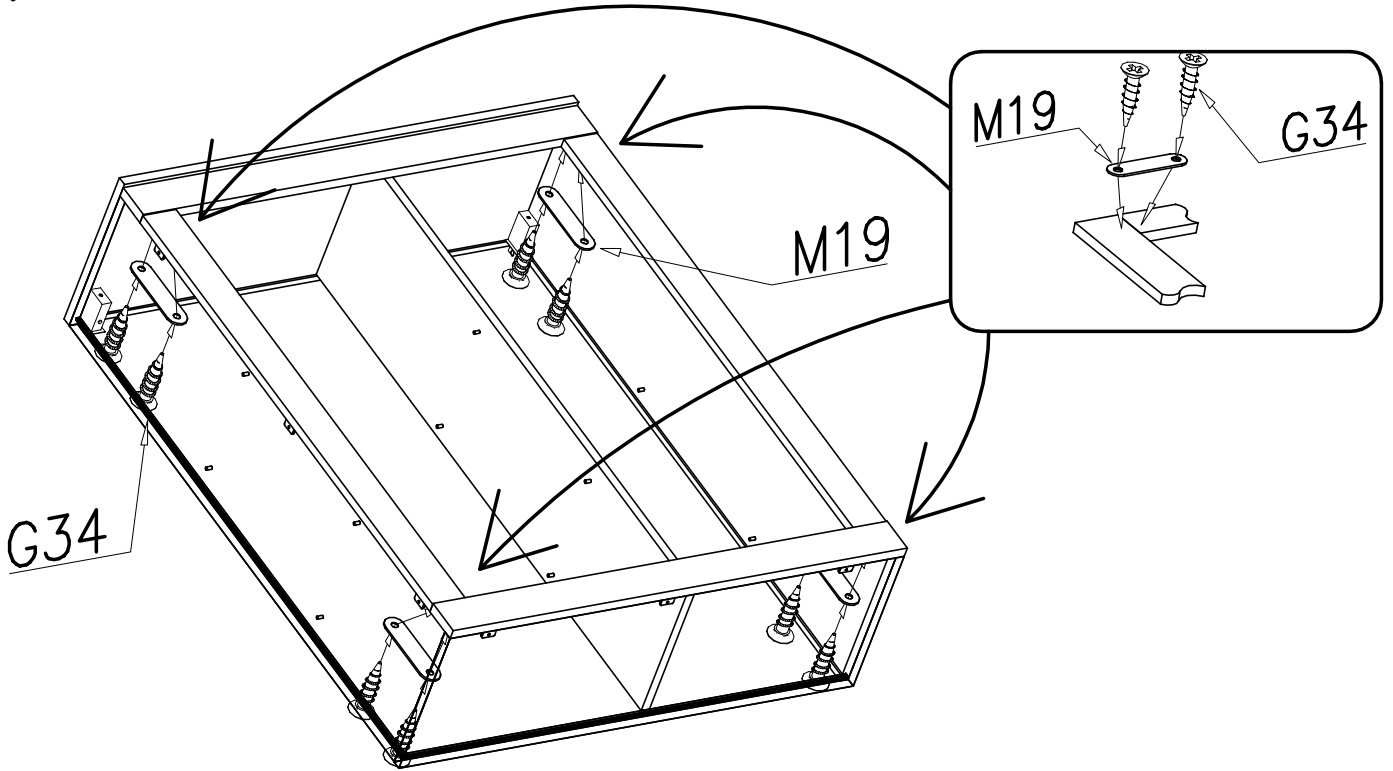


IX

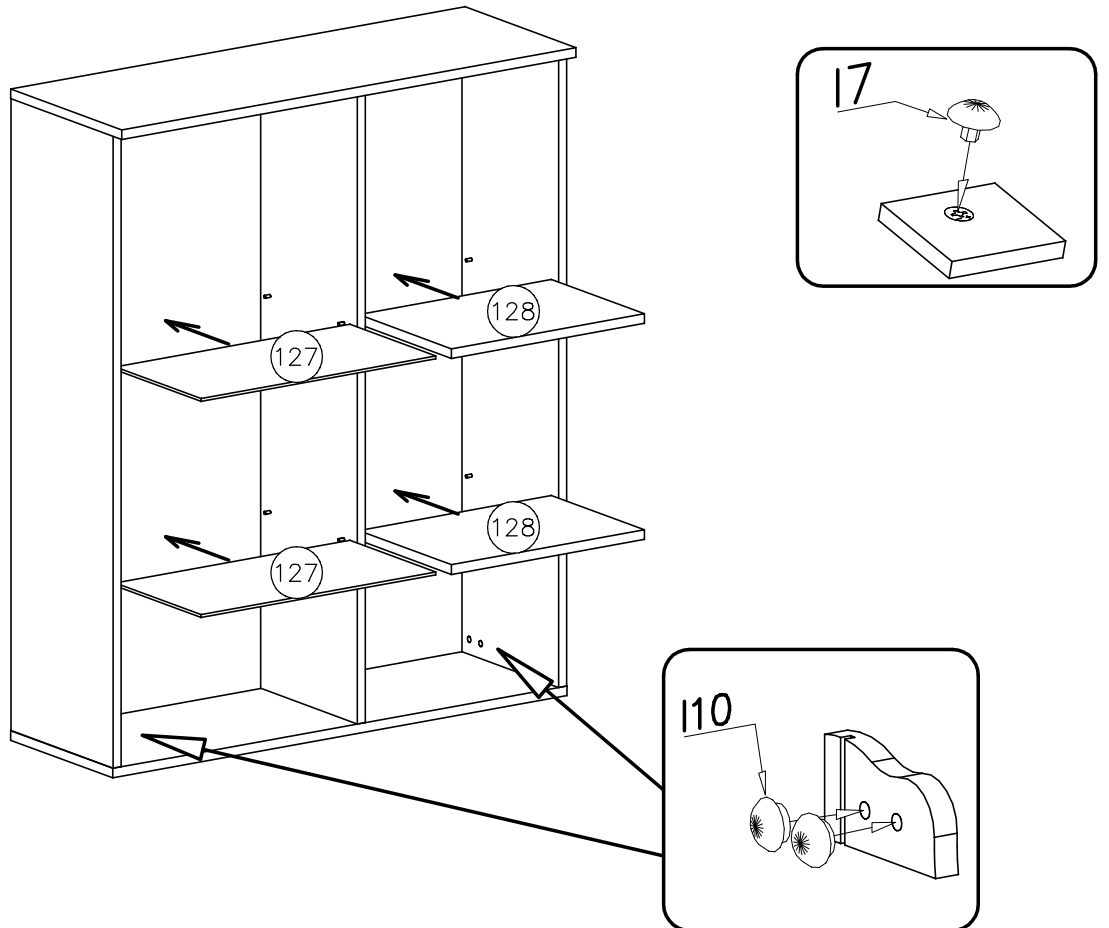


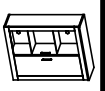


X

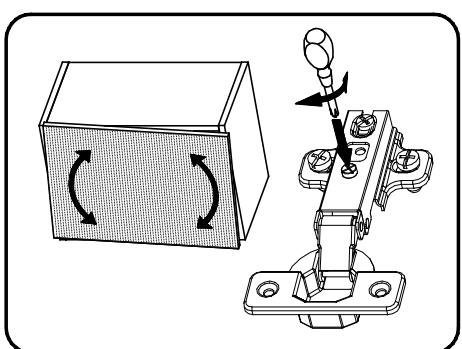
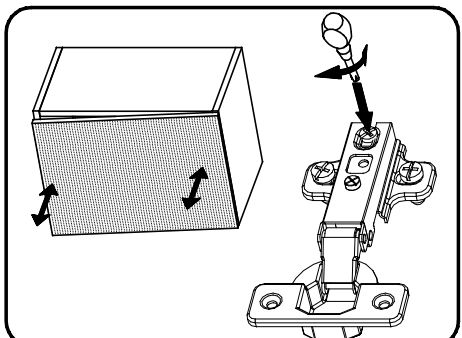
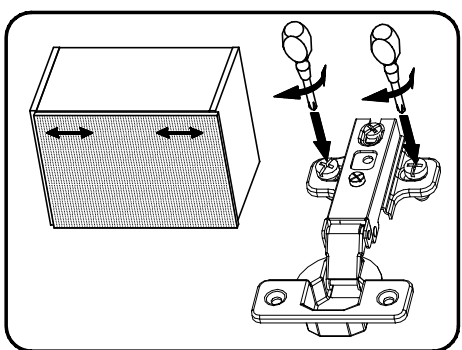
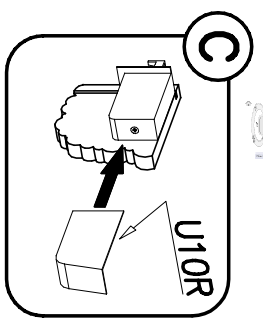
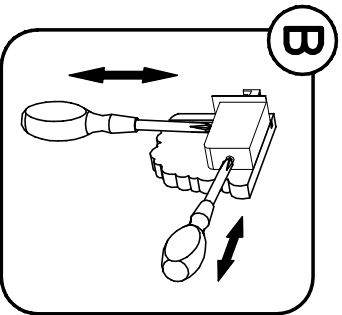
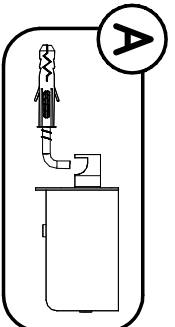
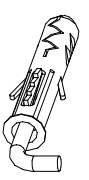
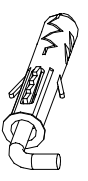
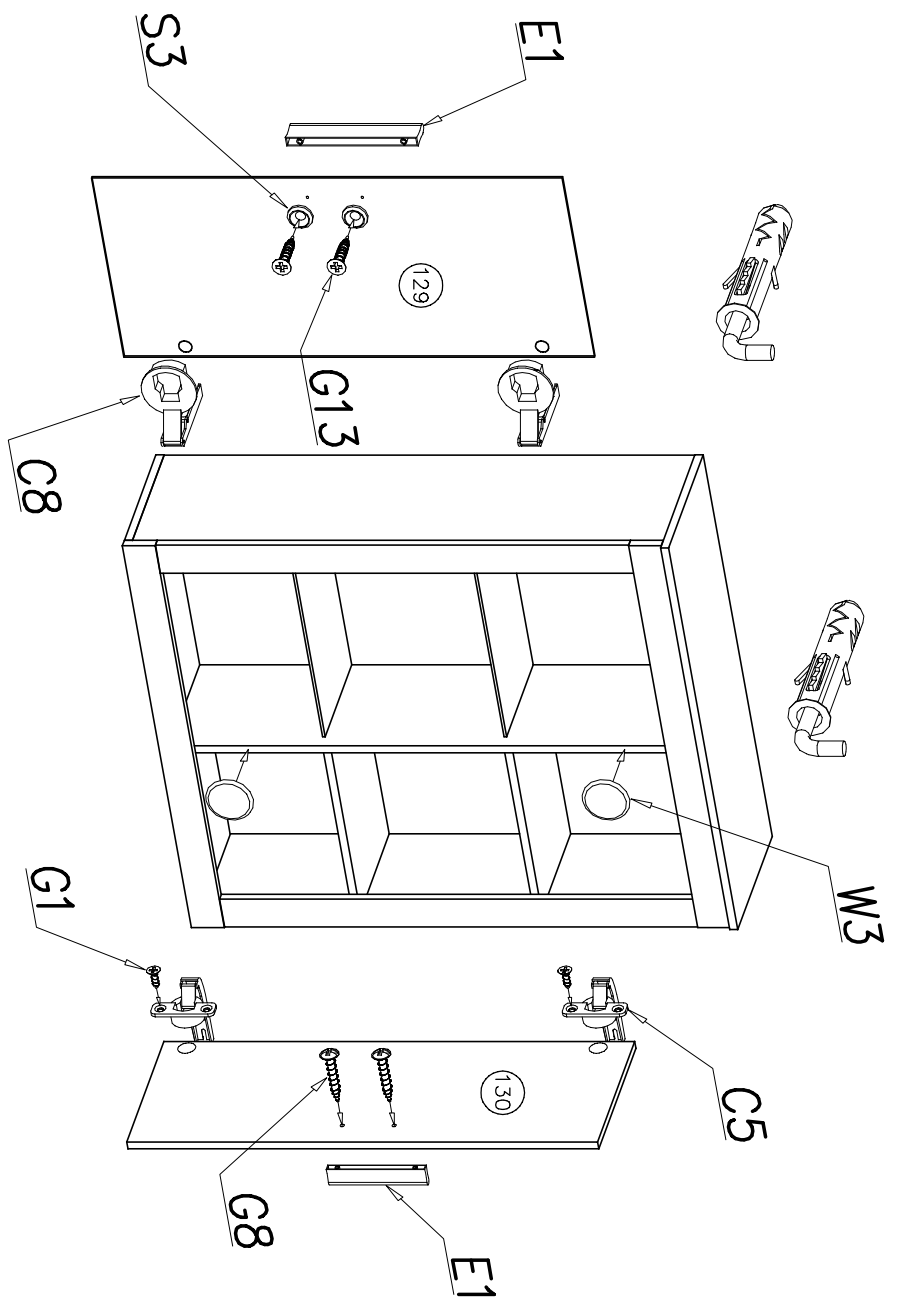
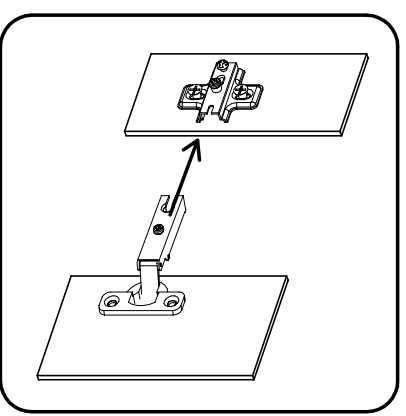
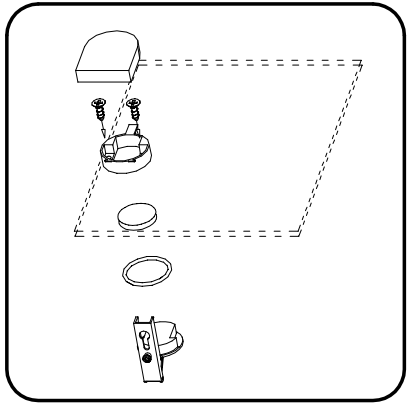


XI





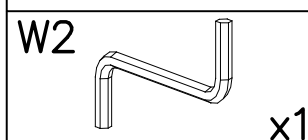
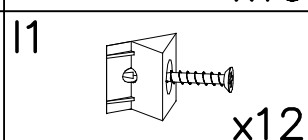
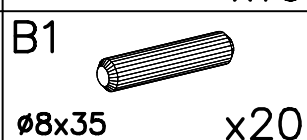
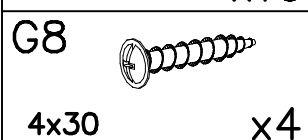
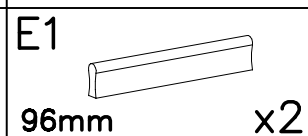
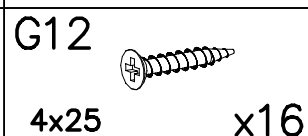
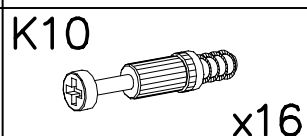
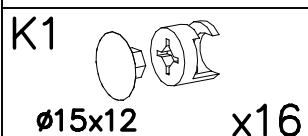
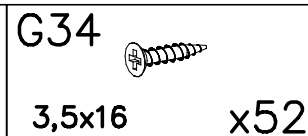
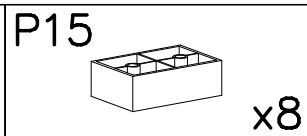
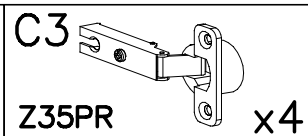
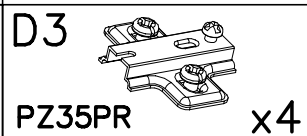
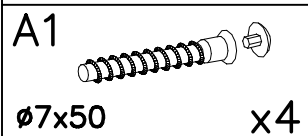
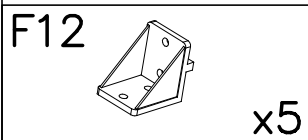
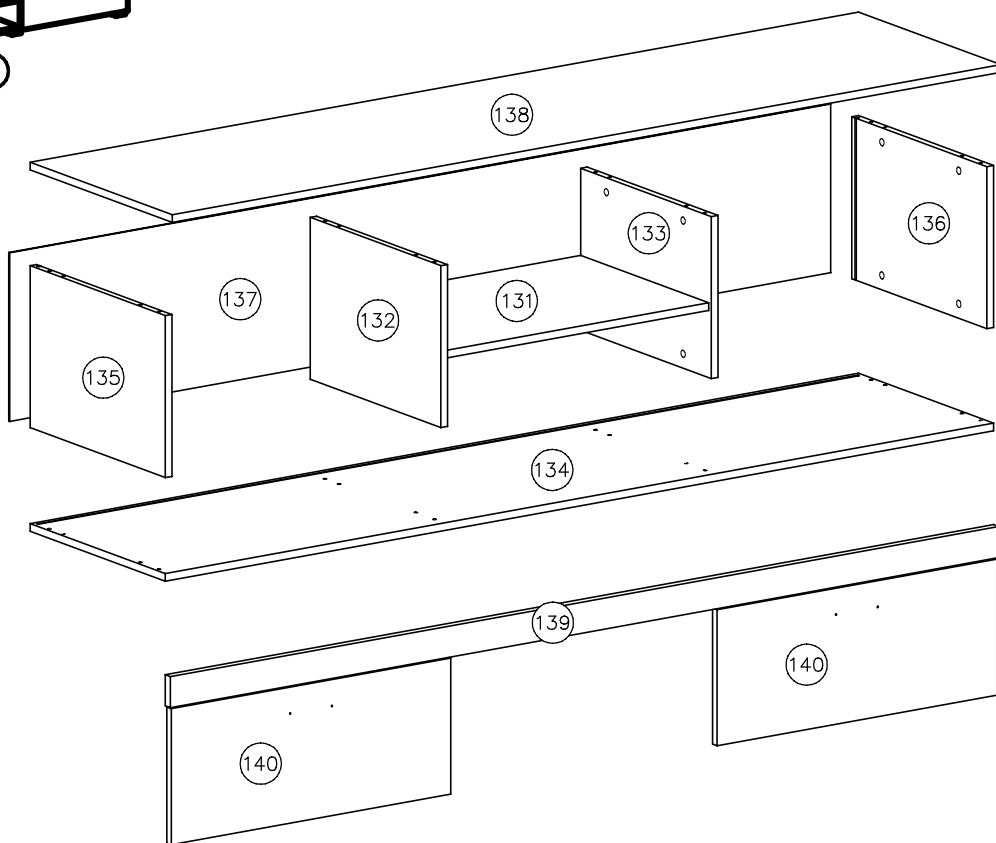
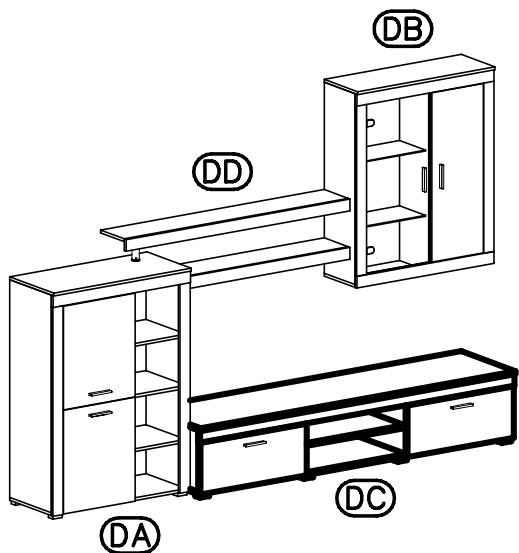
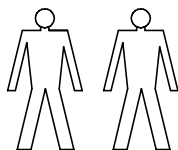
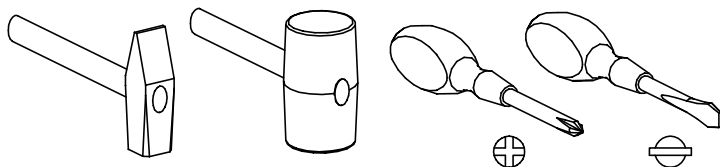
XII

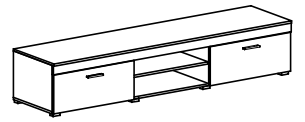


15/22

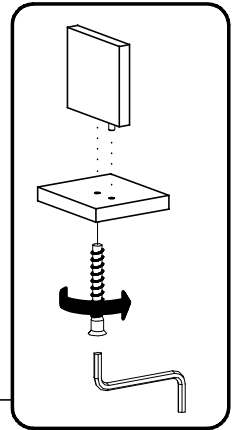
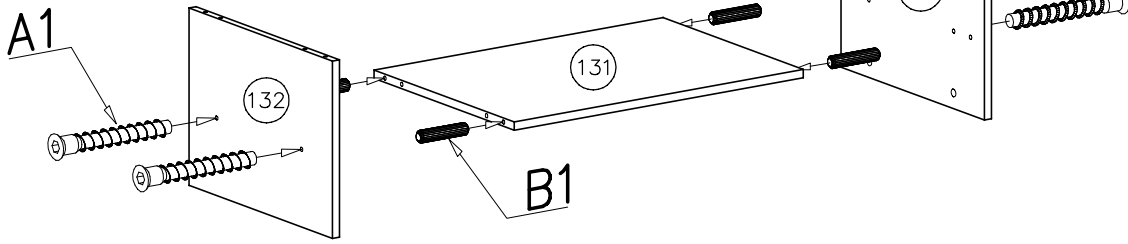
CANBERRA II

< DC >

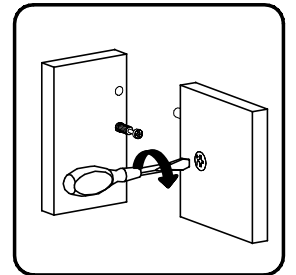
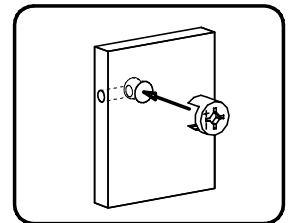
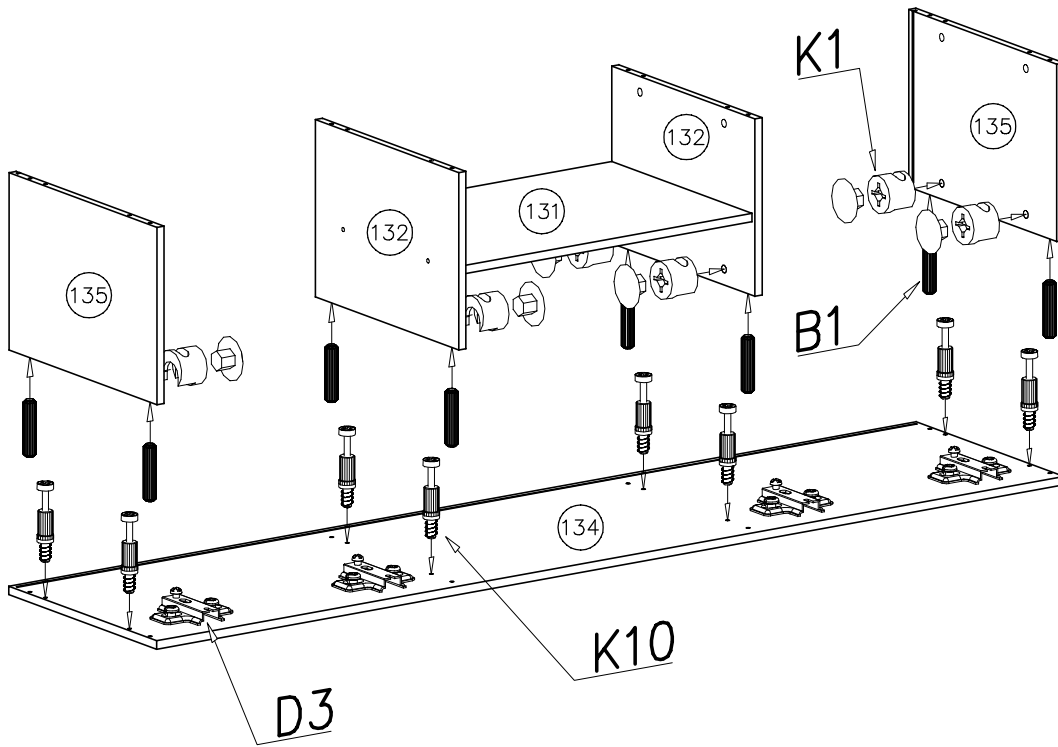




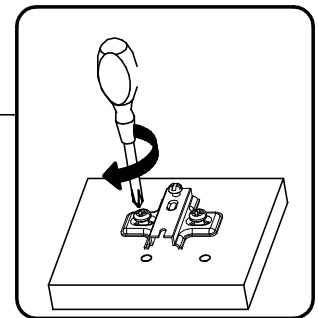
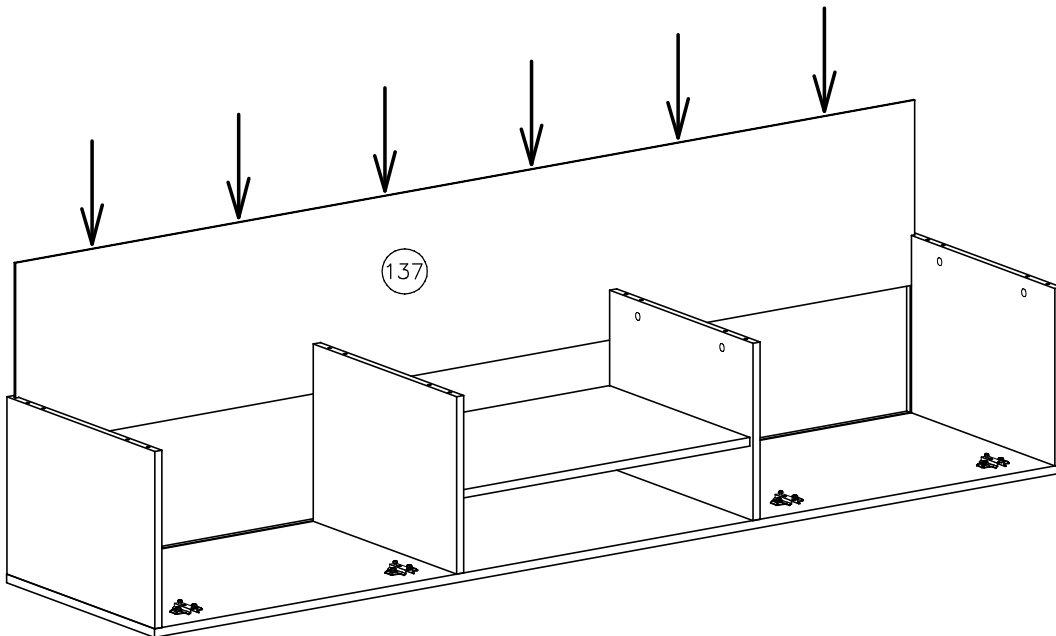
I

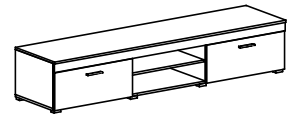


II

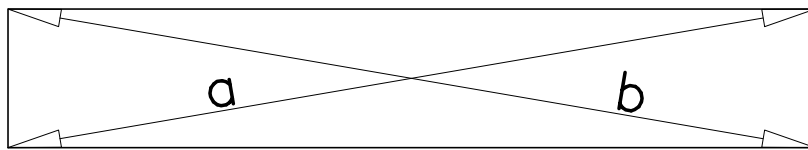
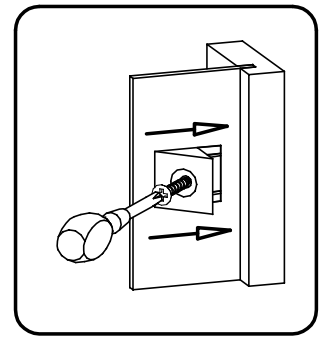
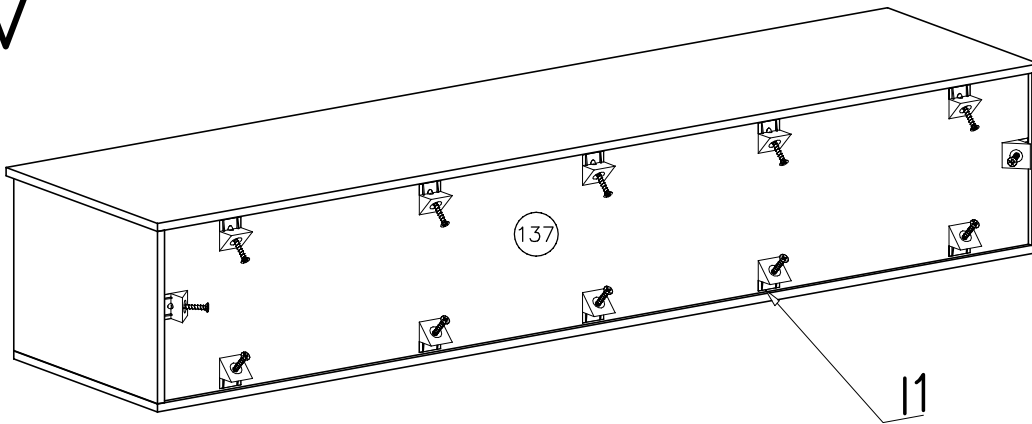


III



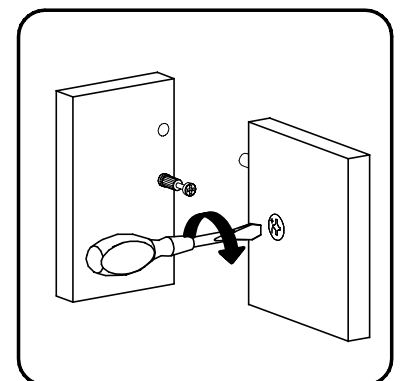
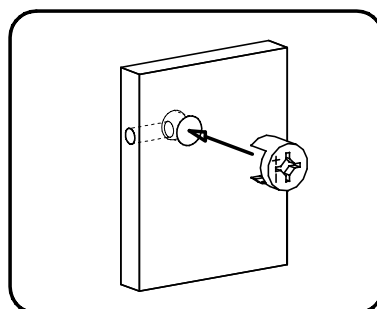
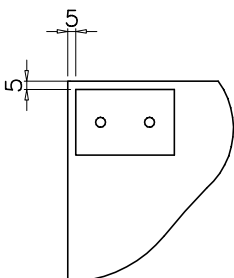
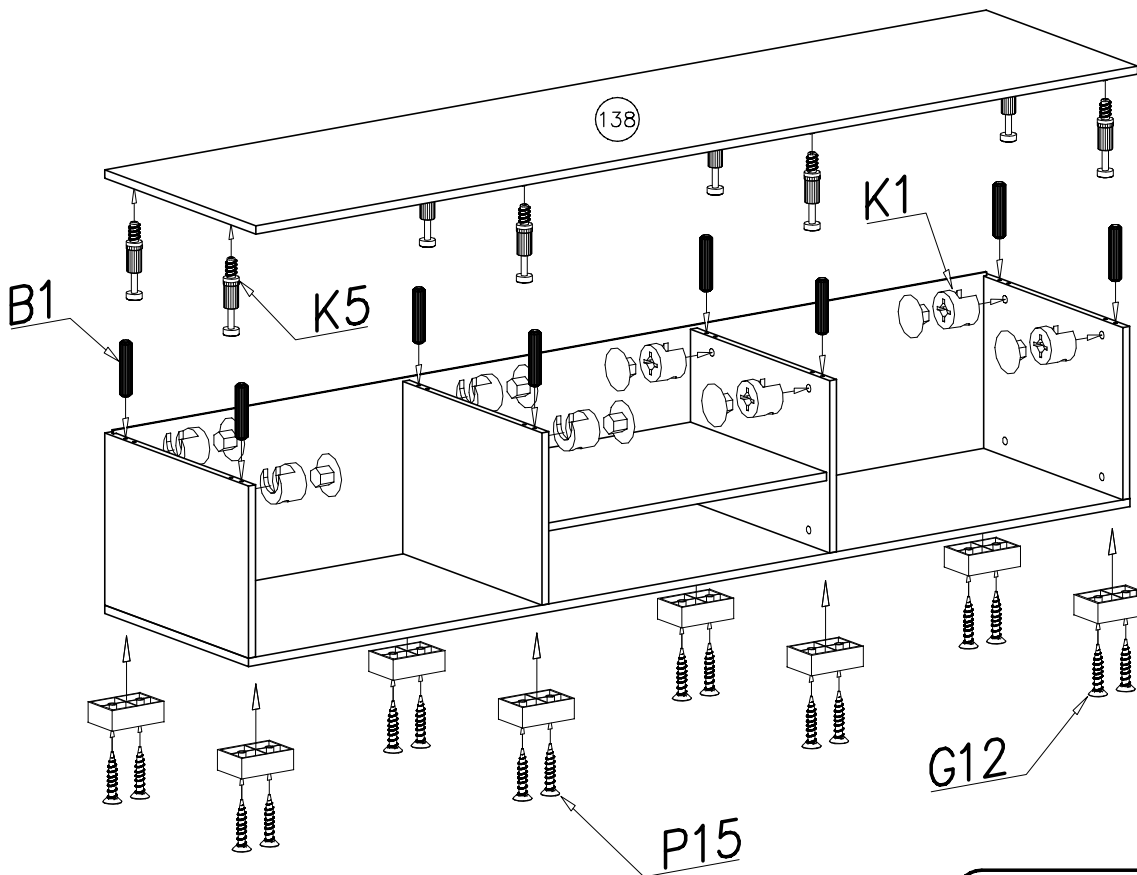


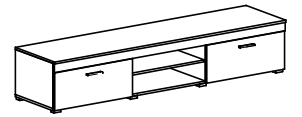
IV



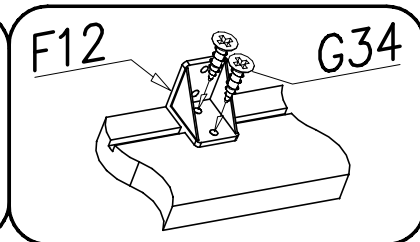
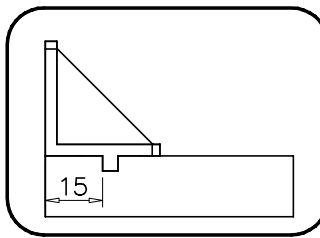
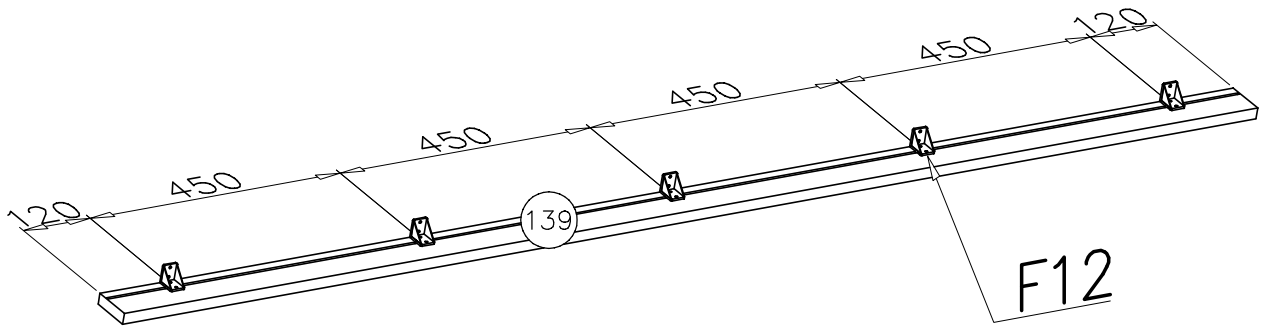
$a=b$

V

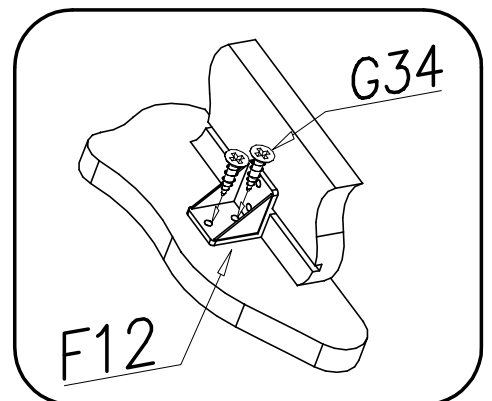
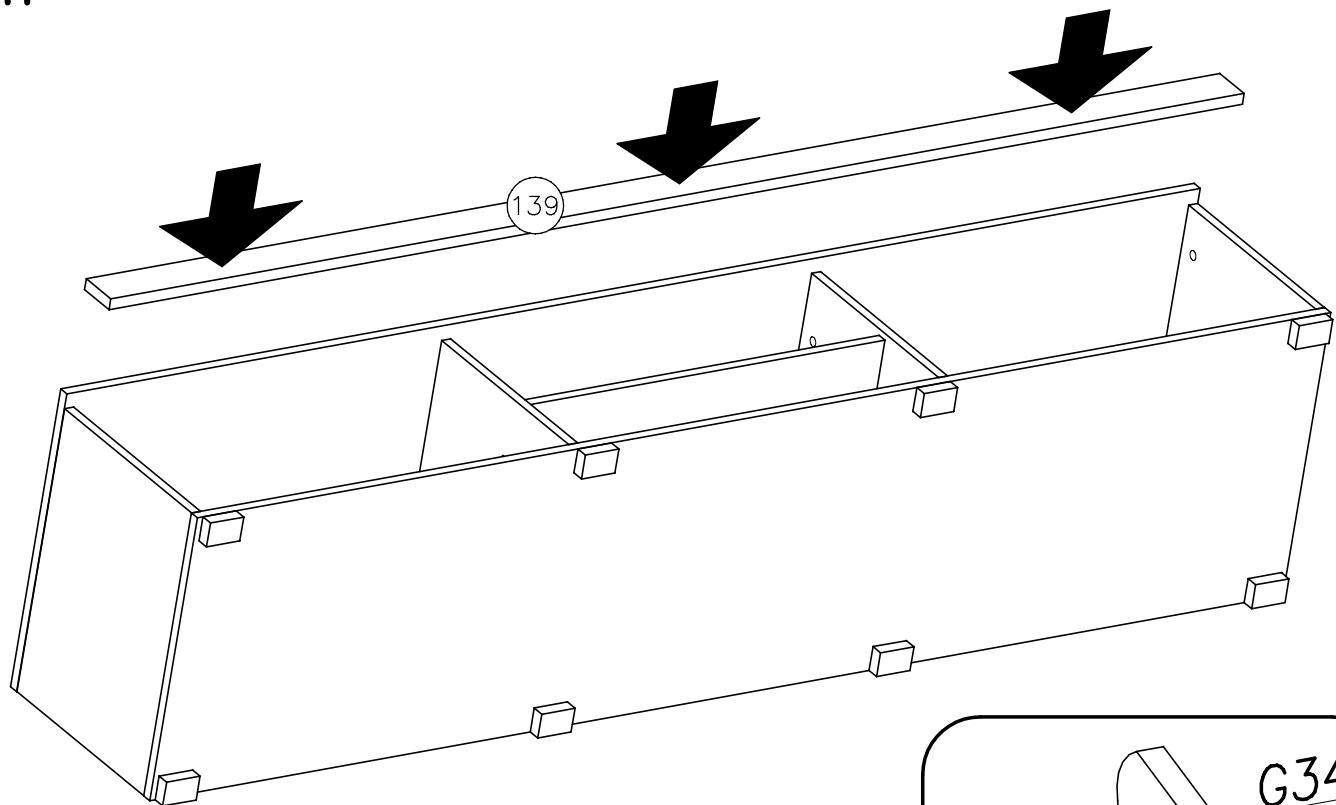


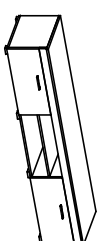


VI

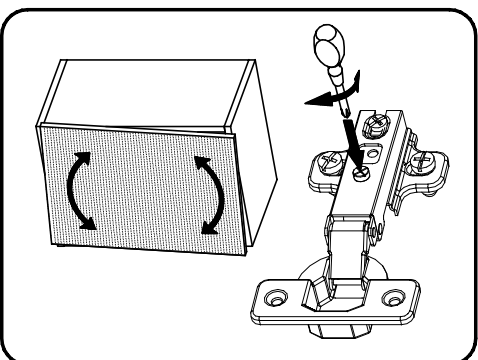
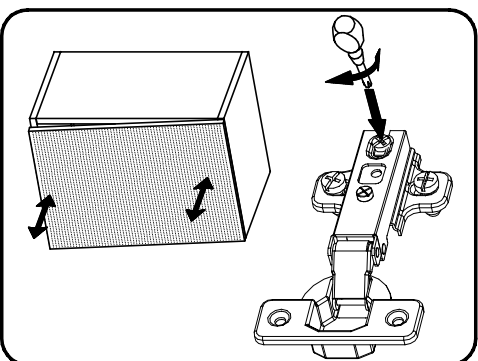
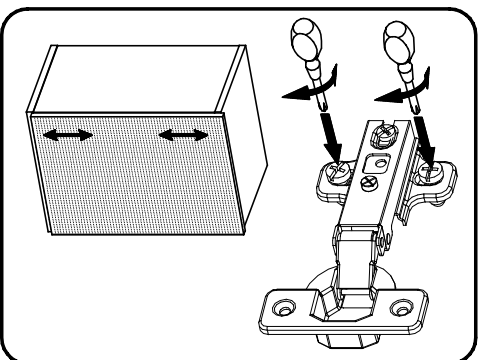
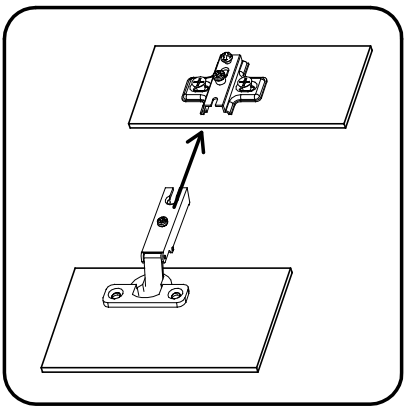
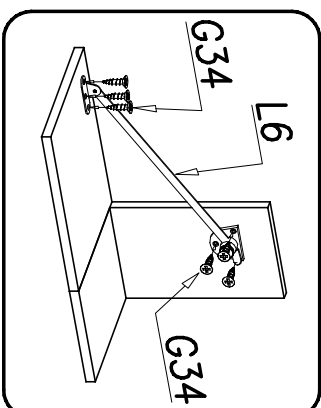
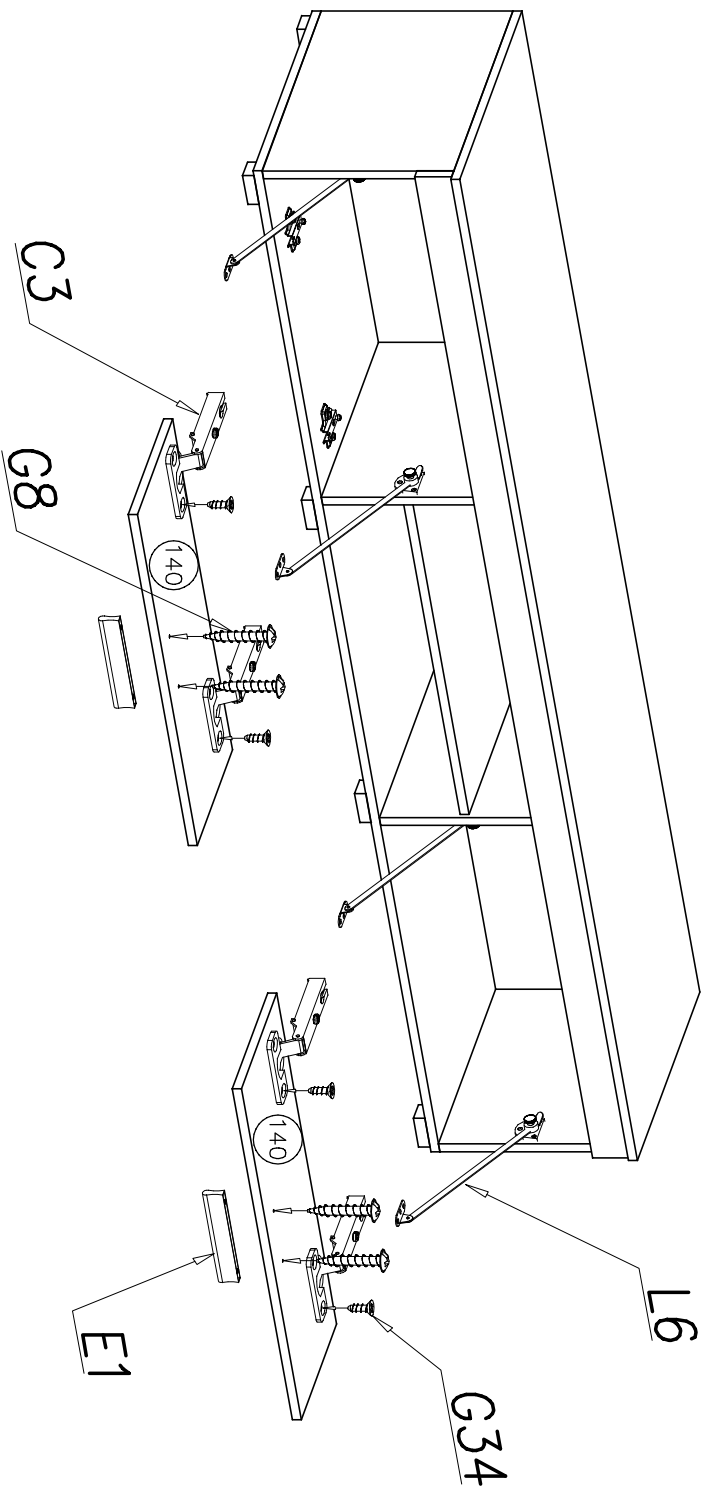


VII





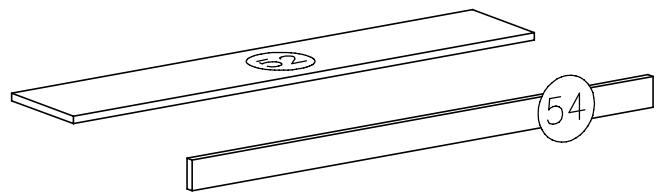
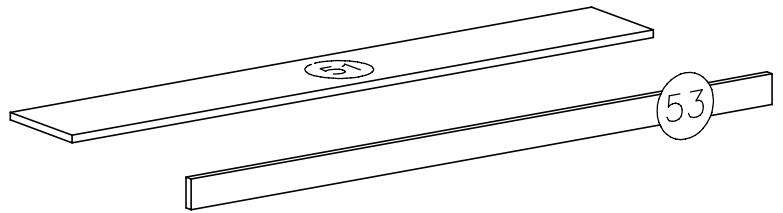
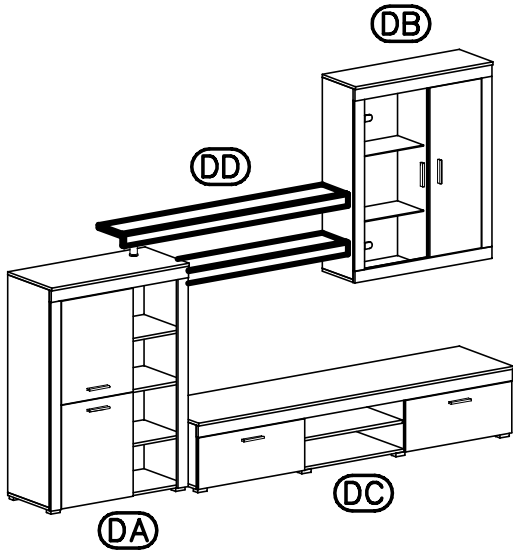
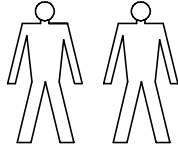
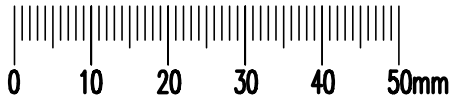
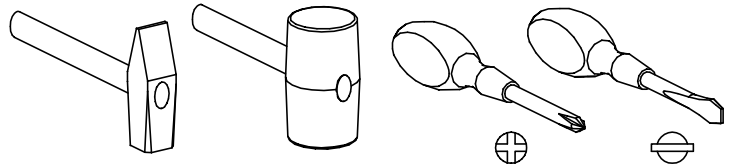
VIII



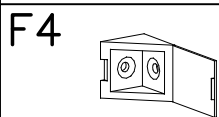
20/22

CANBERRA II

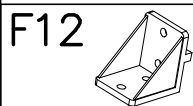
< DD >



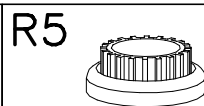
3,5x16 x44



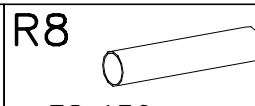
x6



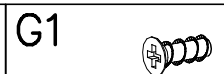
x8



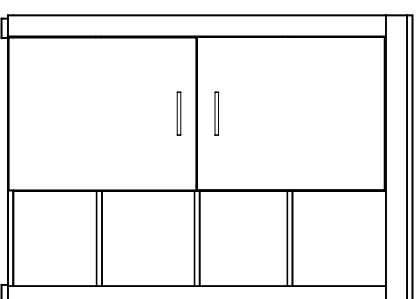
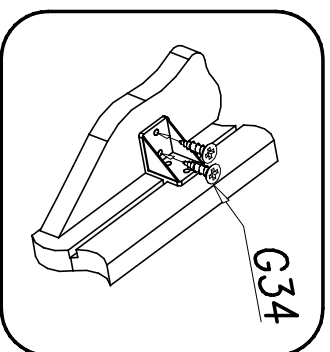
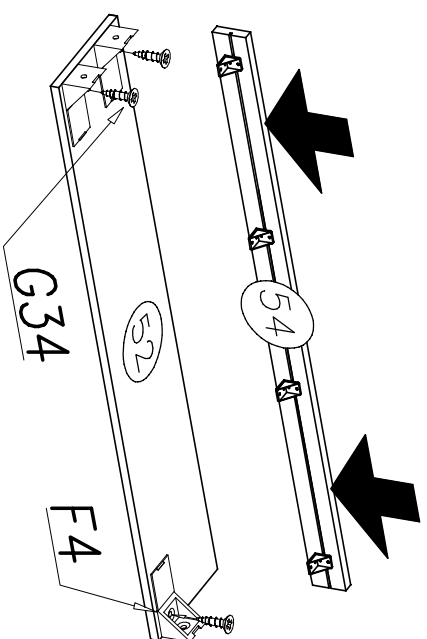
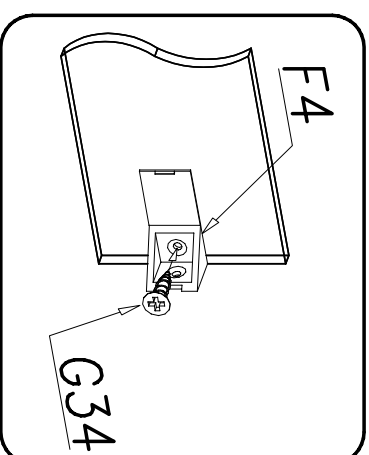
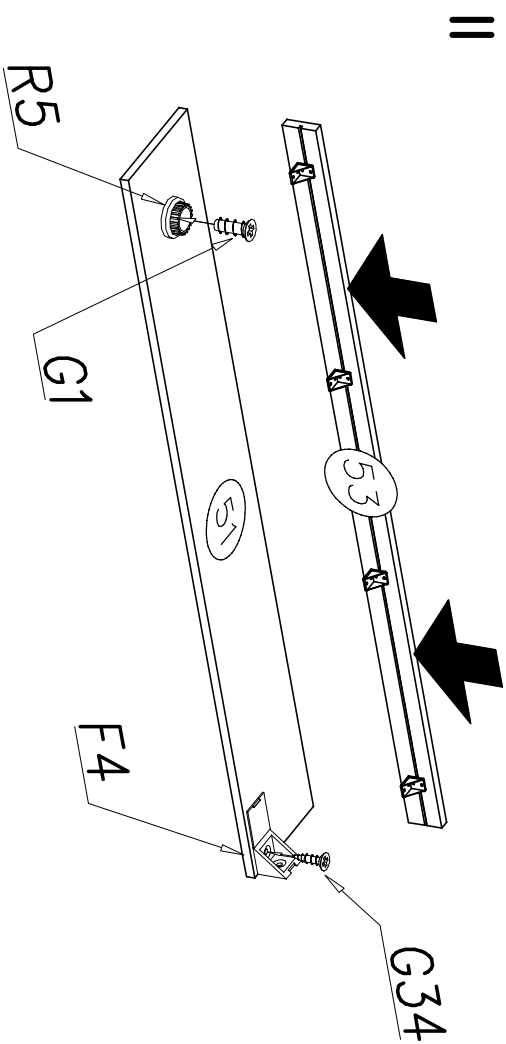
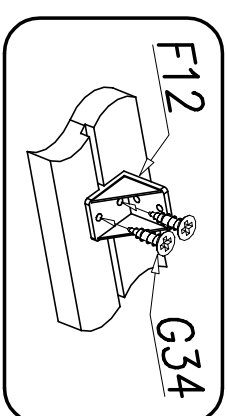
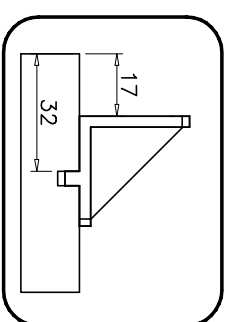
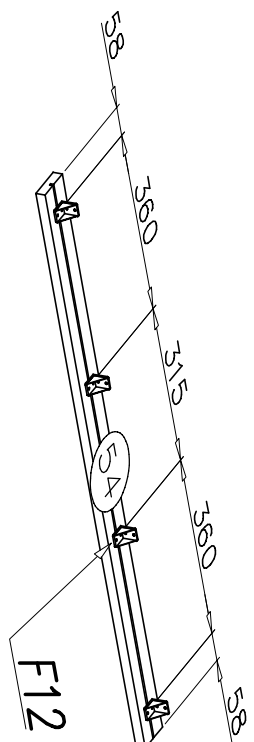
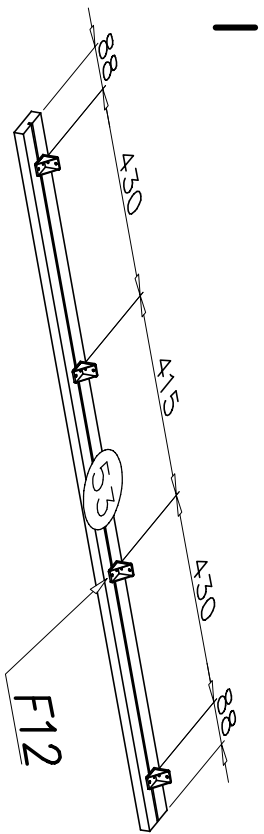
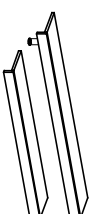
x2



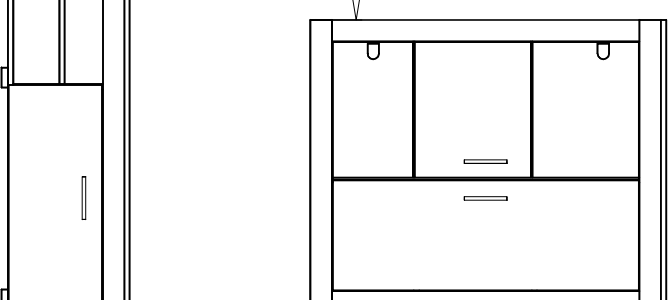
ø38x150 x1

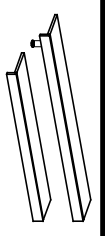


4x13 x2



115cm





III

