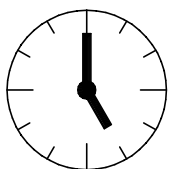
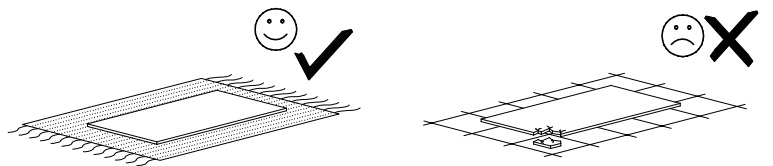
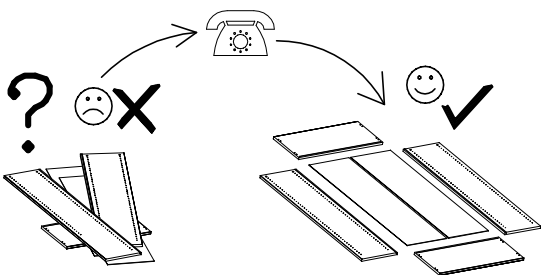
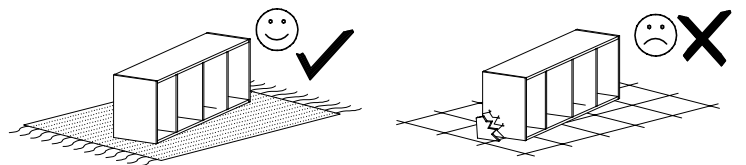
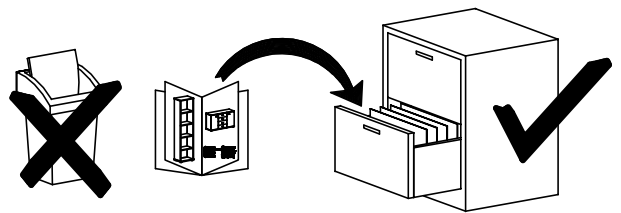
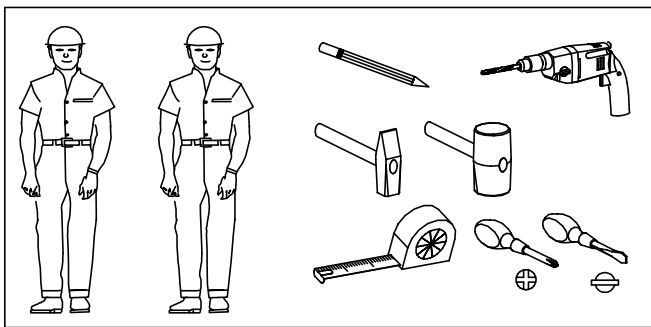
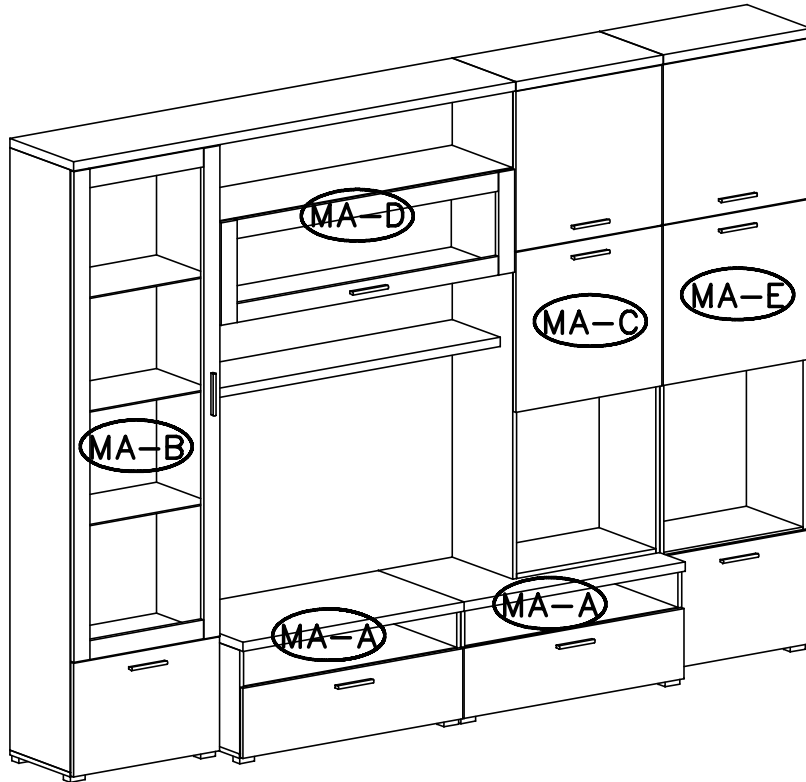
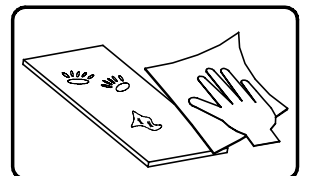
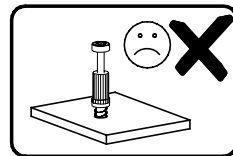
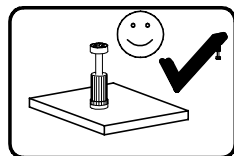
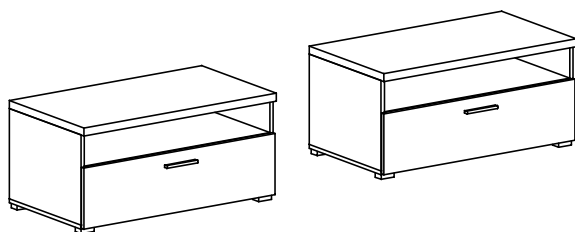
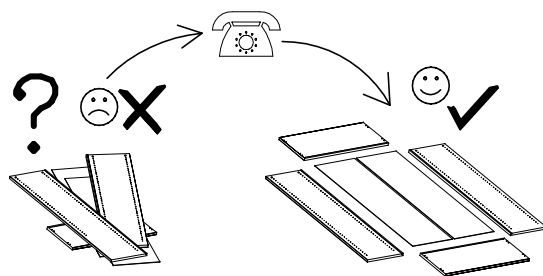
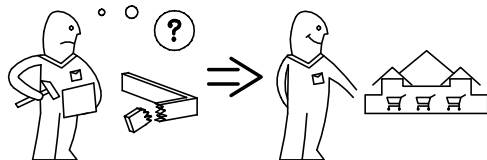
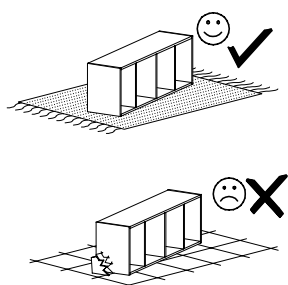


# MASTER I

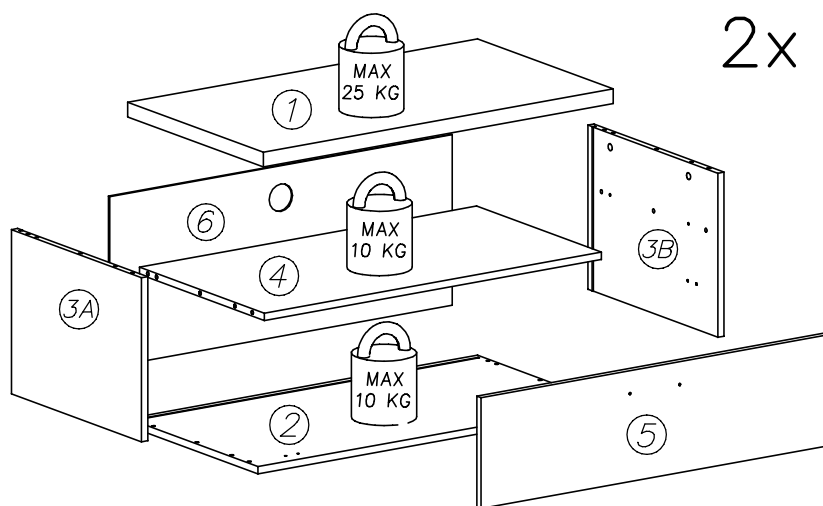


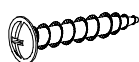

3,5h

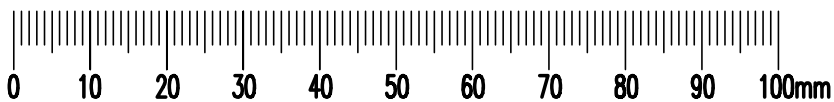


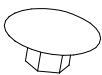



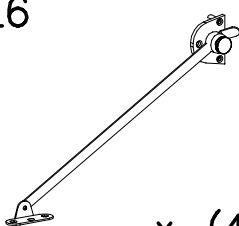
nr	L[mm]	B[mm]	T[mm]	Menge	Colli
1	900	498	32	2	1,2/8
2	900	478	16	2	1,2/8
3A	358	478	16	2	1,2/8
3B	358	478	16	2	1,2/8
4	867	458	16	2	1,2/8
5	242	894	16	2	2/8
6	879	370	3	2	1,2/8

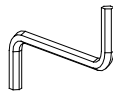



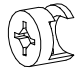

<b>G8</b> 4x30 x...(4)		<b>E1</b> 128mm x...(2)	
------------------------------	---	-------------------------------	---

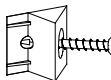



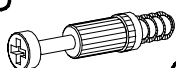

<b>I7</b> ø18 x...(16)		<b>G12</b> 4x25 x...(16)	
------------------------------	---	--------------------------------	---

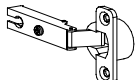
<b>L6</b> x...(4)	
----------------------	---

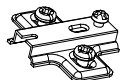

<b>W2</b> x...(1)		<b>A1</b> ø7x50 x...(8)	
----------------------	---	-------------------------------	---

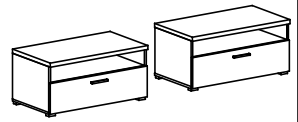
<b>K1</b> ø15x12 x...(16)		<b>P15</b> x...(8)	
---------------------------------	---	-----------------------	---

<b>I1</b> x...(12)		<b>G21</b> 3x16 x...(24)	
-----------------------	---	--------------------------------	---

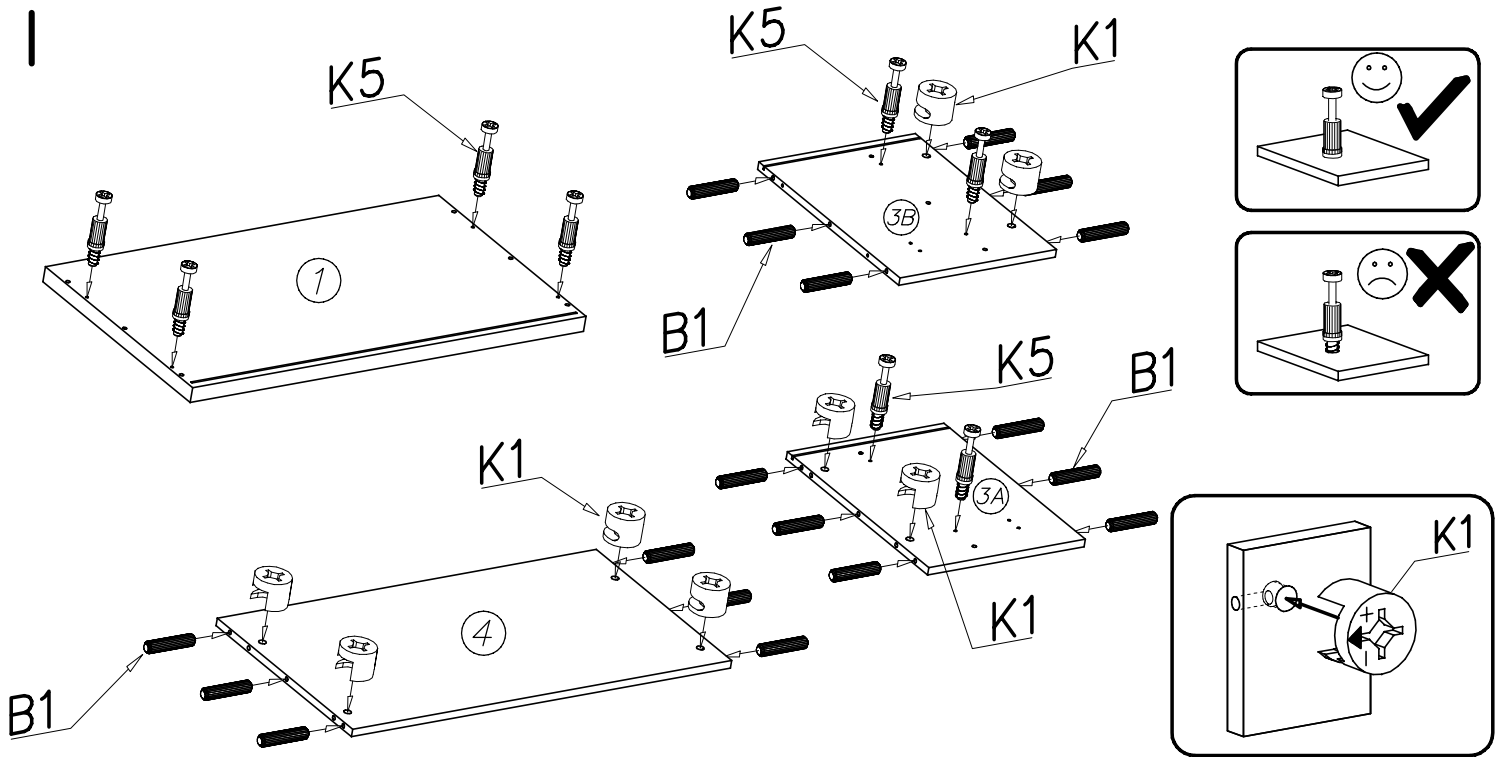
<b>K5</b> x...(16)		<b>B1</b> ø8x35 x...(36)	
-----------------------	---	--------------------------------	---

<b>C3</b> Z35PR x...(4)	
-------------------------------	---

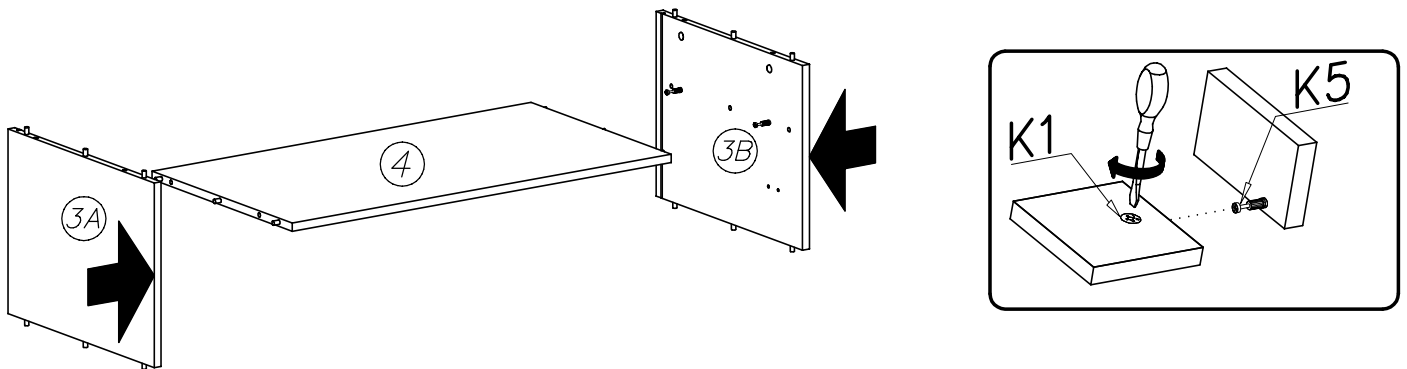
<b>D3</b> PZ35PR x...(4)		<b>G36</b> 3,5x13 x...(20)	
--------------------------------	---	----------------------------------	---



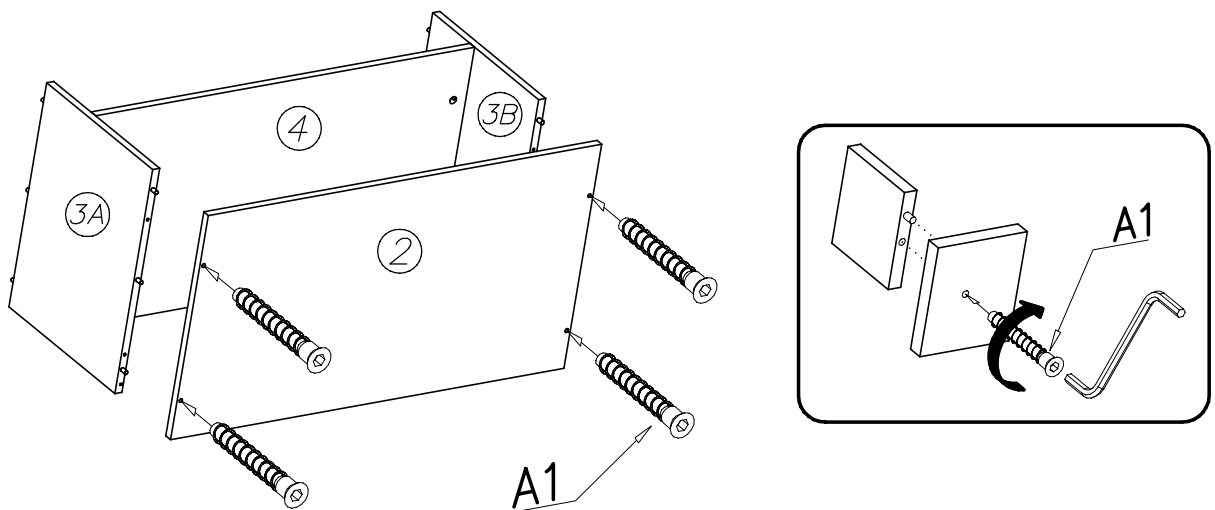
I

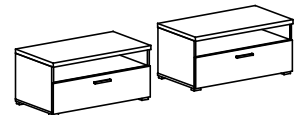


II

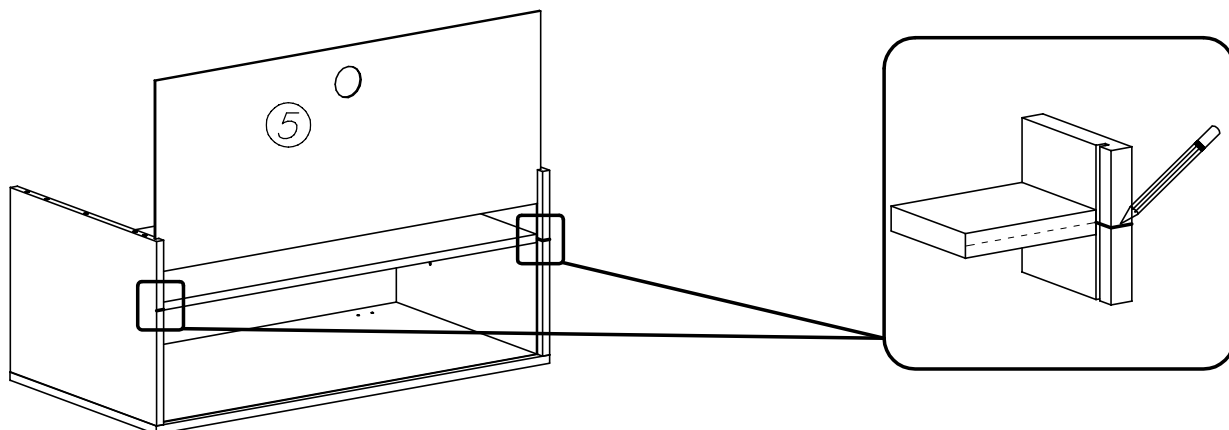


III

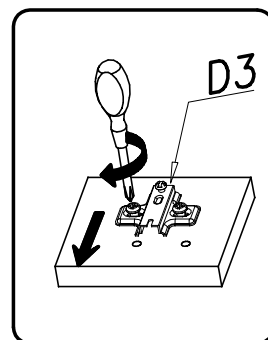
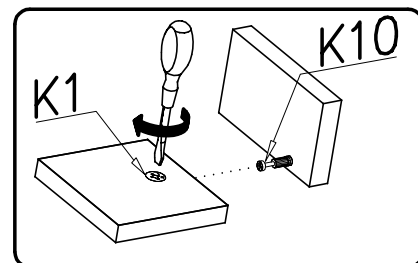
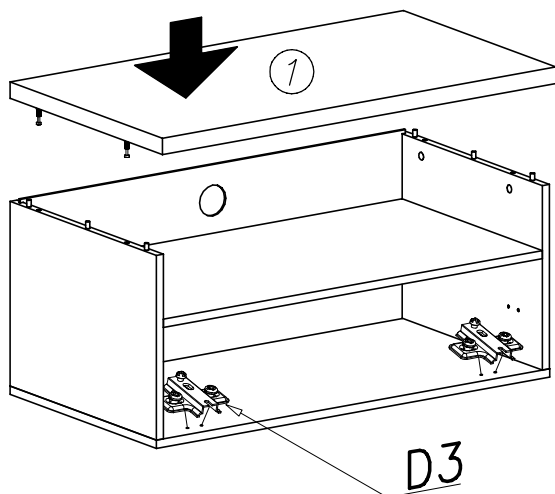




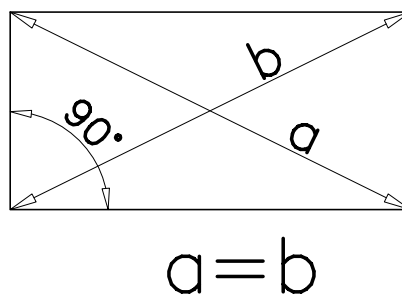
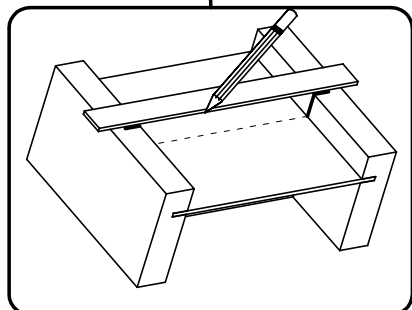
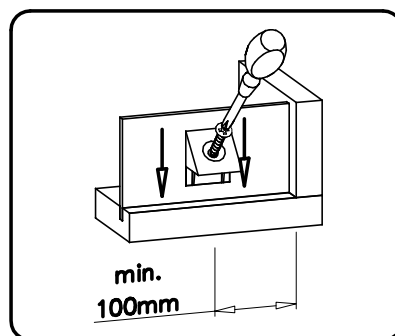
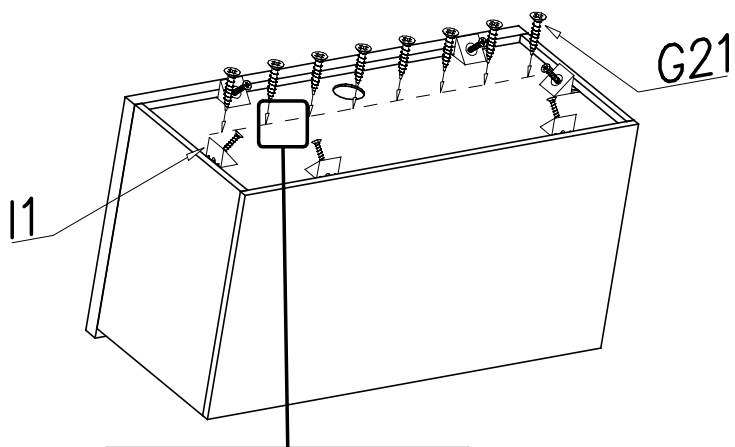
IV

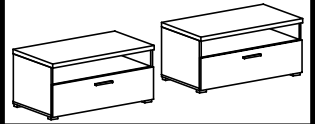


V

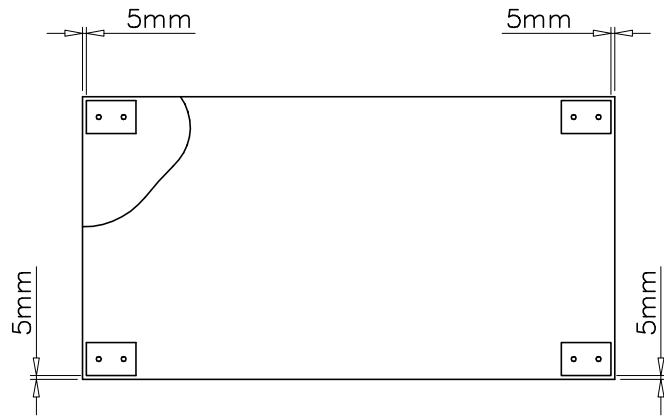
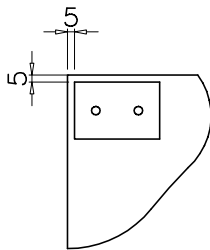
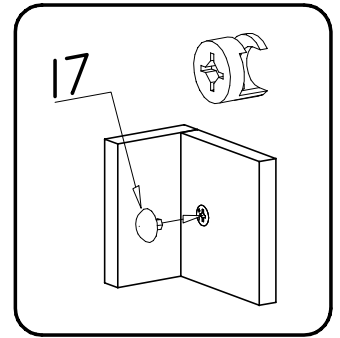
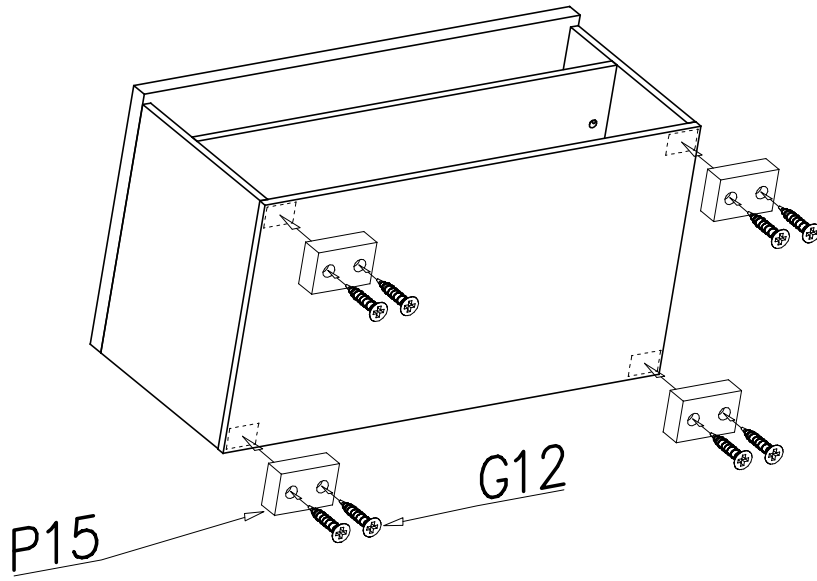


VI

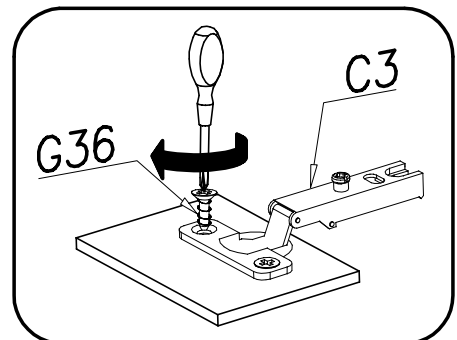
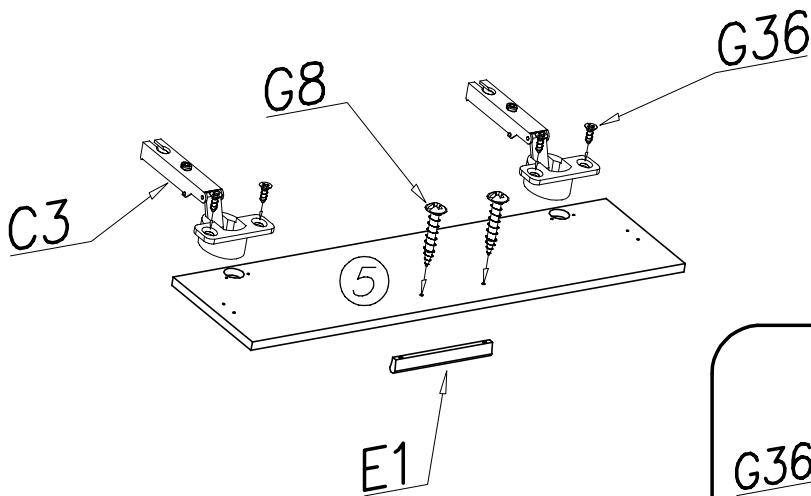


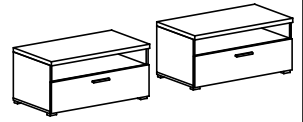


# VII

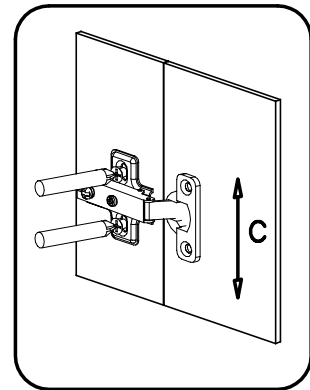
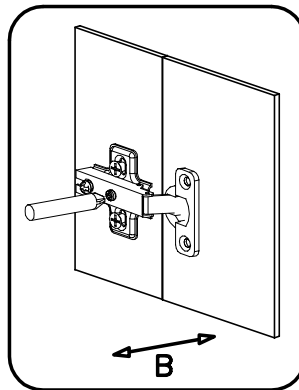
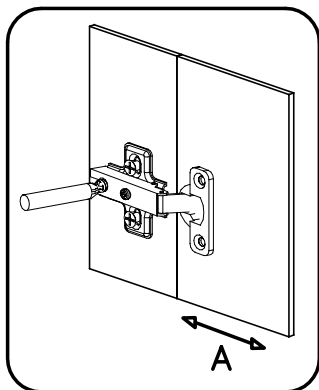
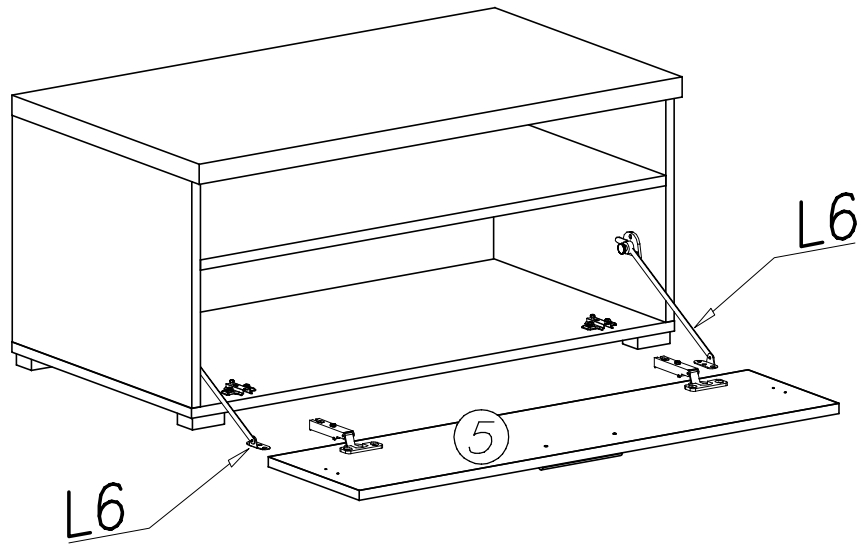
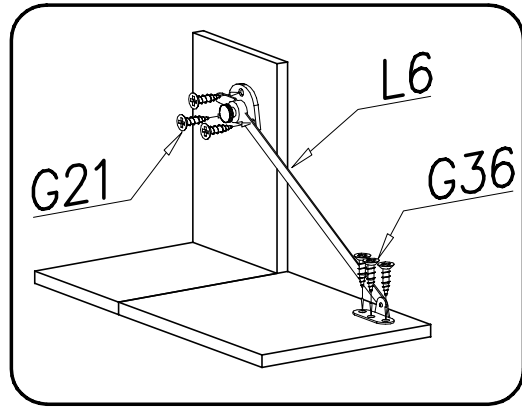
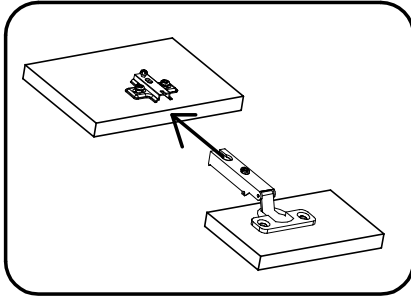


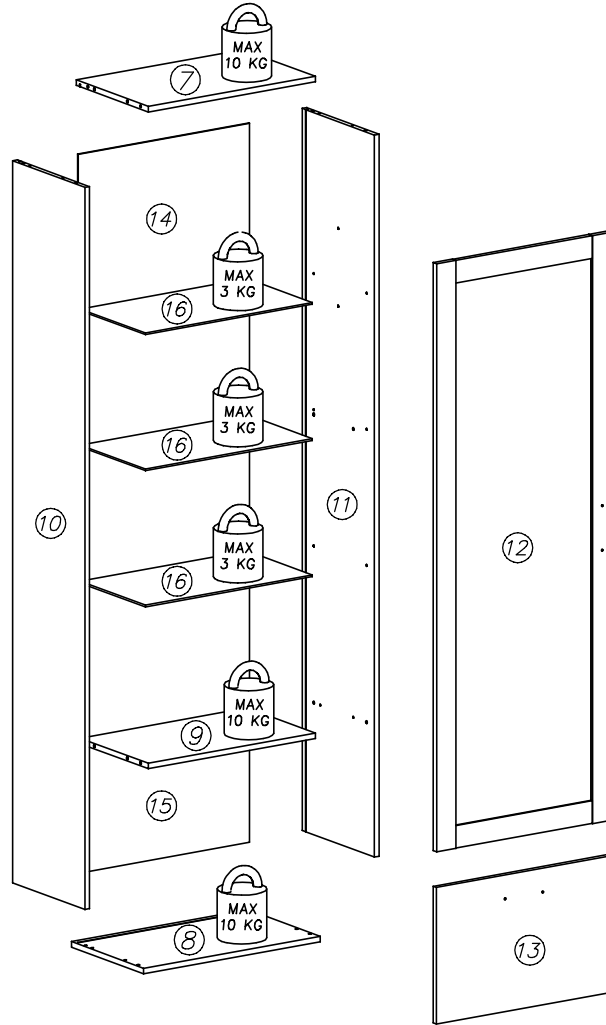
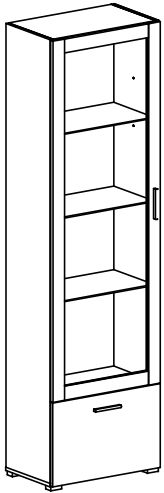
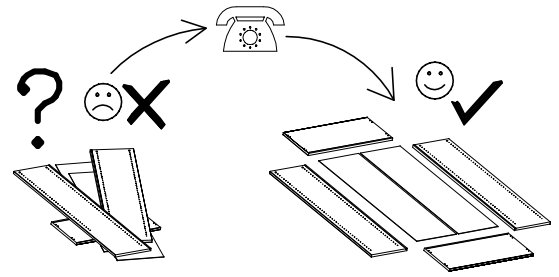
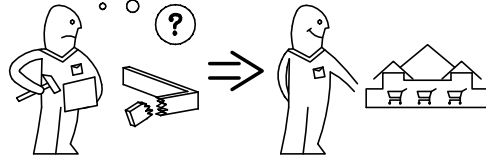
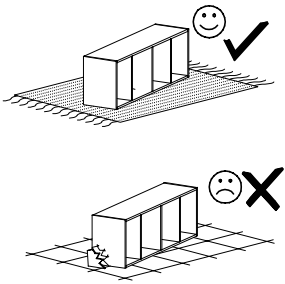
# VIII



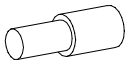



# IX

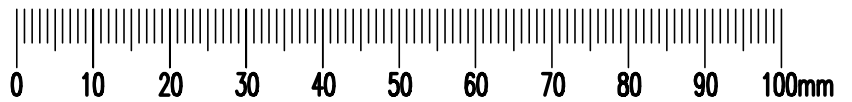



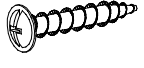
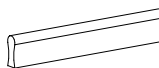
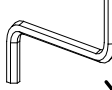
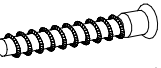

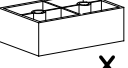
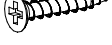
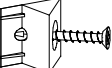

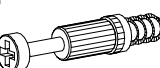

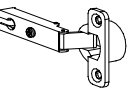
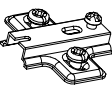
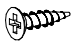


nr	L[mm]	B[mm]	T[mm]	Menge	Coil
7	567	350	16	1	4/8
8	600	350	16	1	4/8
9	567	330	16	1	2/8
10	2079	350	16	1	4/8
11	2079	350	16	1	4/8
12	1693	594	18	1	3/8
13	393	594	16	1	3/8
14	1689	579	3	1	3/8
15	386	579	3	1	3/8
16	565	315	5	3	3/8

**F11**  x...(12)

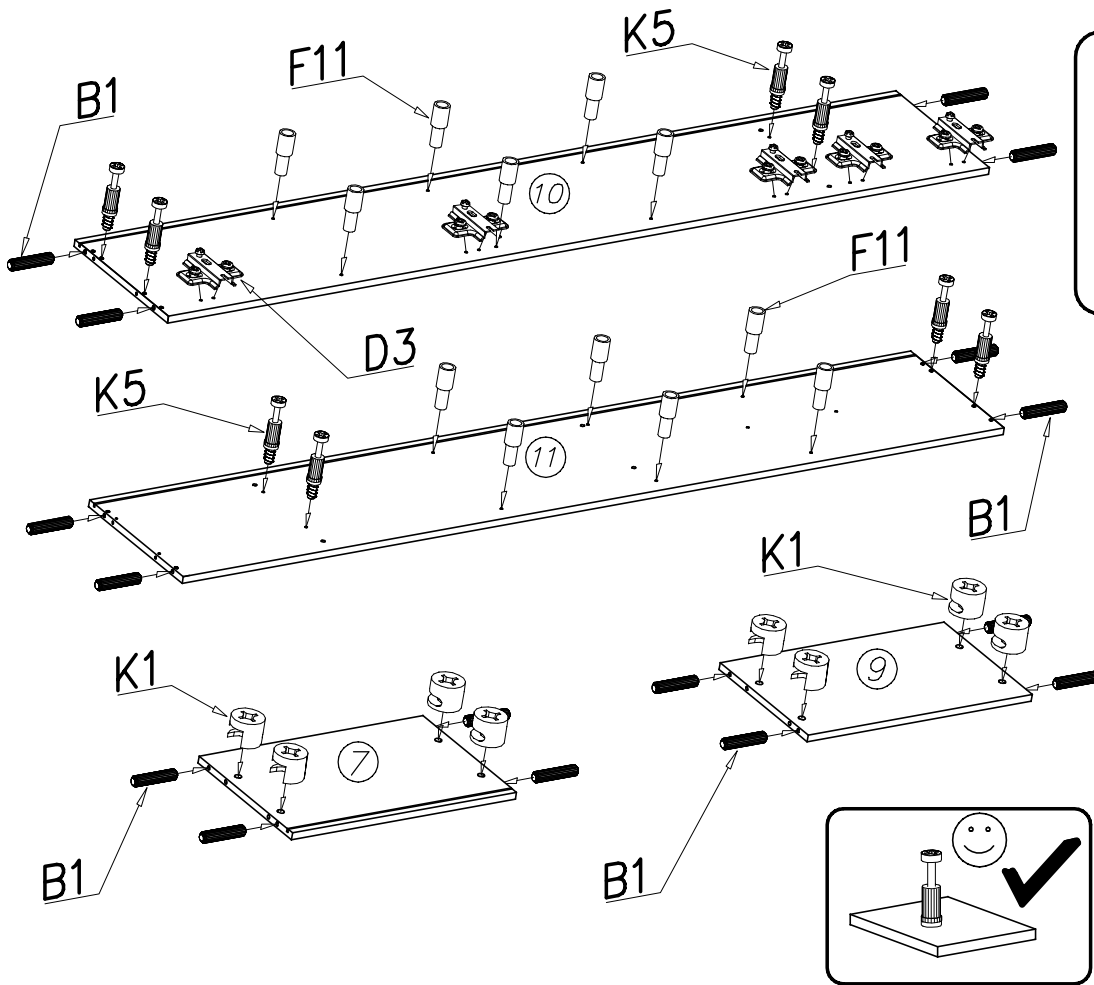
**S2**  x...(5)



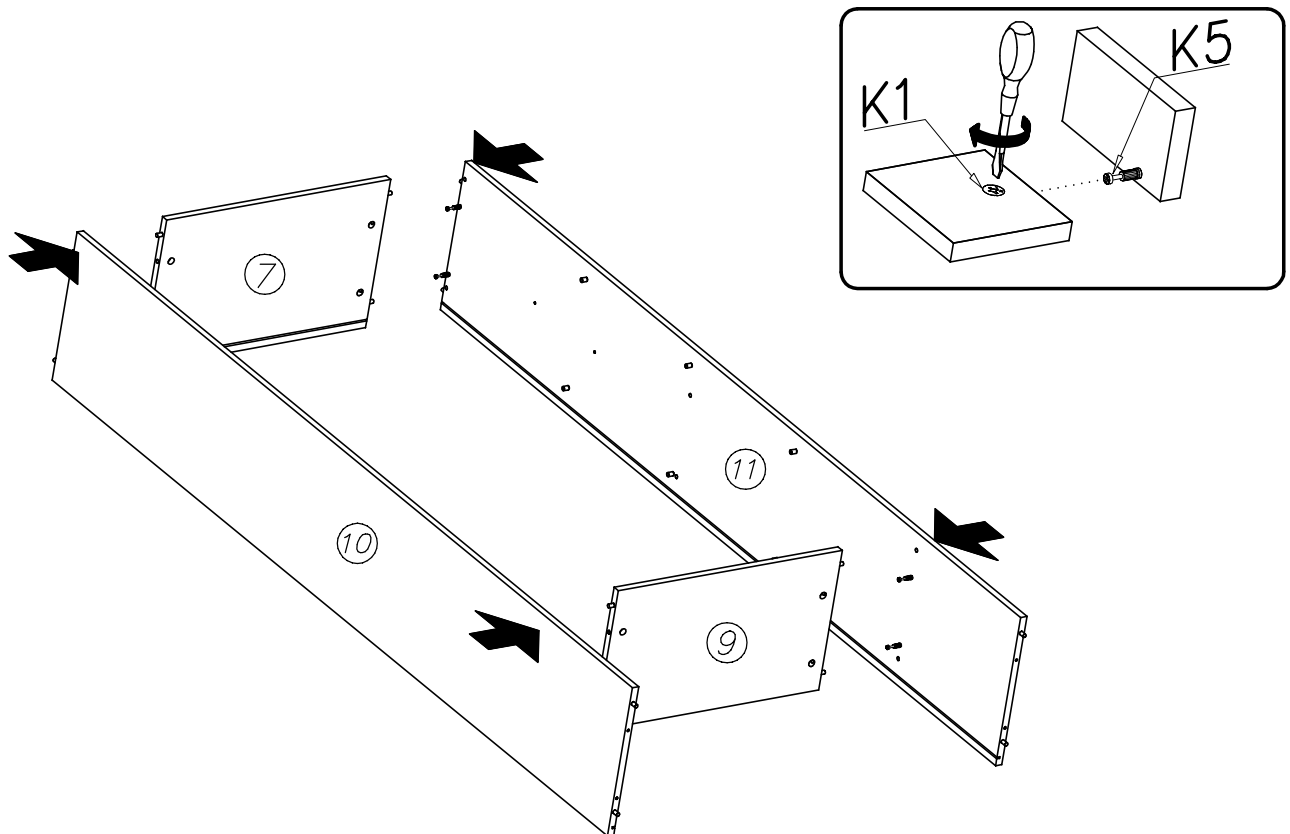
<b>I7</b>  $\varnothing 18$ x...(8)	<b>G8</b>  4x30 x...(4)	<b>E1</b>  128mm x...(2)	<b>W2</b>  x...(1)	<b>A1</b>  $\varnothing 7 \times 50$ x...(4)
<b>K1</b>  $\varnothing 15 \times 12$ x...(8)	<b>P15</b>  x...(4)	<b>G12</b>  4x25 x...(8)	<b>I1</b>  x...(9)	<b>G21</b>  3x16 x...(5)
<b>K5</b>  x...(8)	<b>B1</b>  $\varnothing 8 \times 35$ x...(16)	<b>C3</b>  Z35PR x...(5)	<b>D3</b>  PZ35PR x...(5)	<b>G36</b>  3,5x13 x...(10)



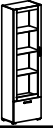
I



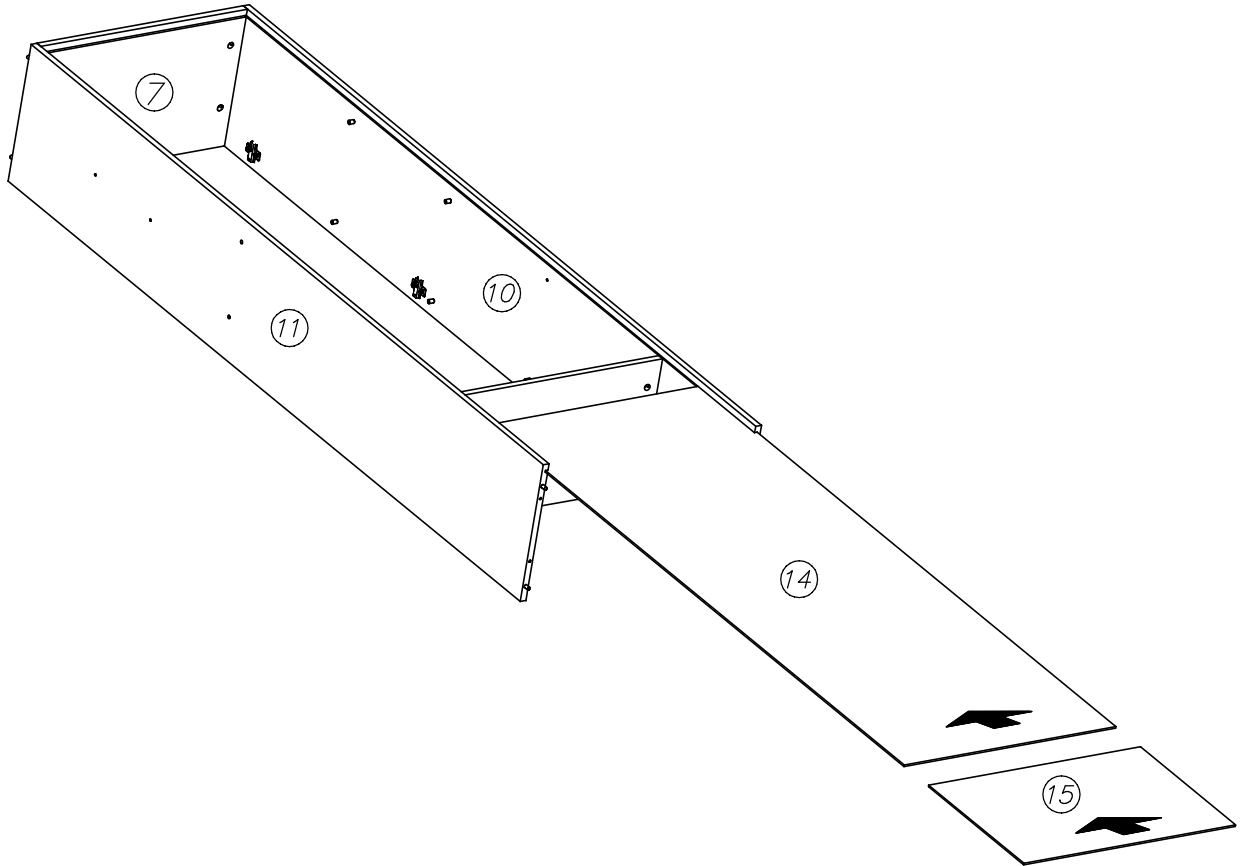
II



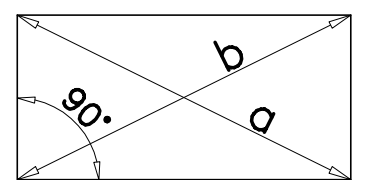
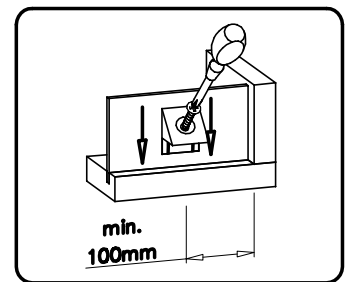
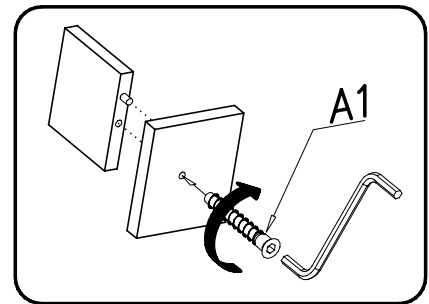
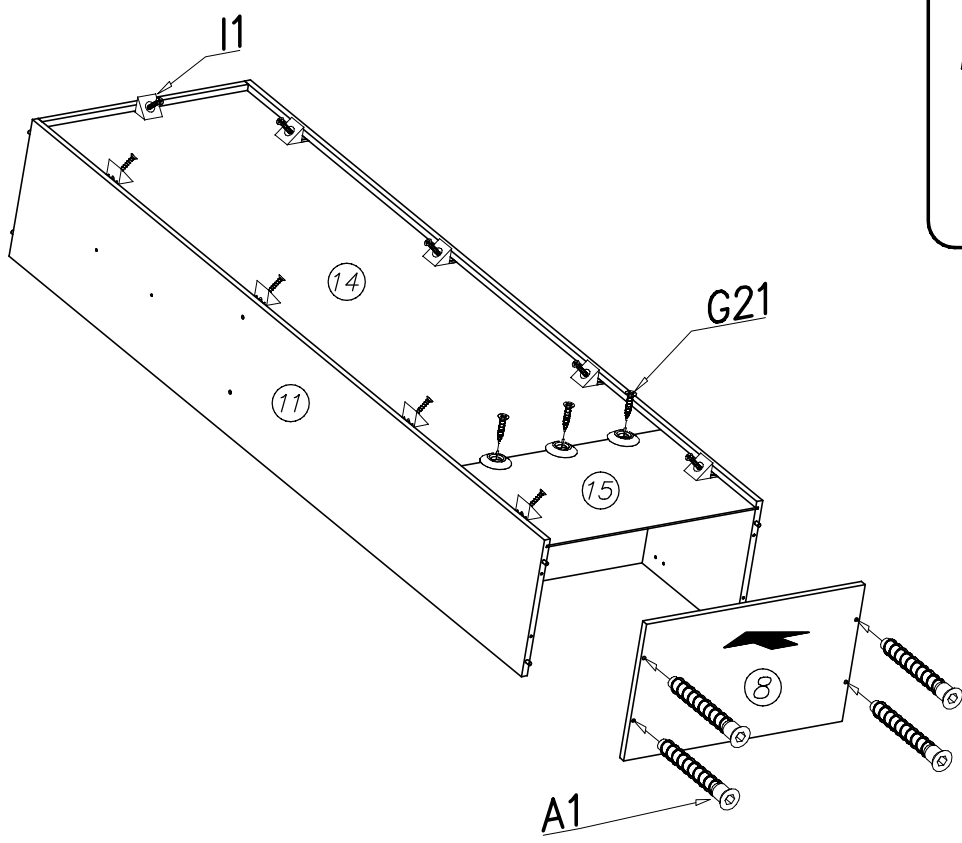


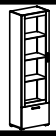


III

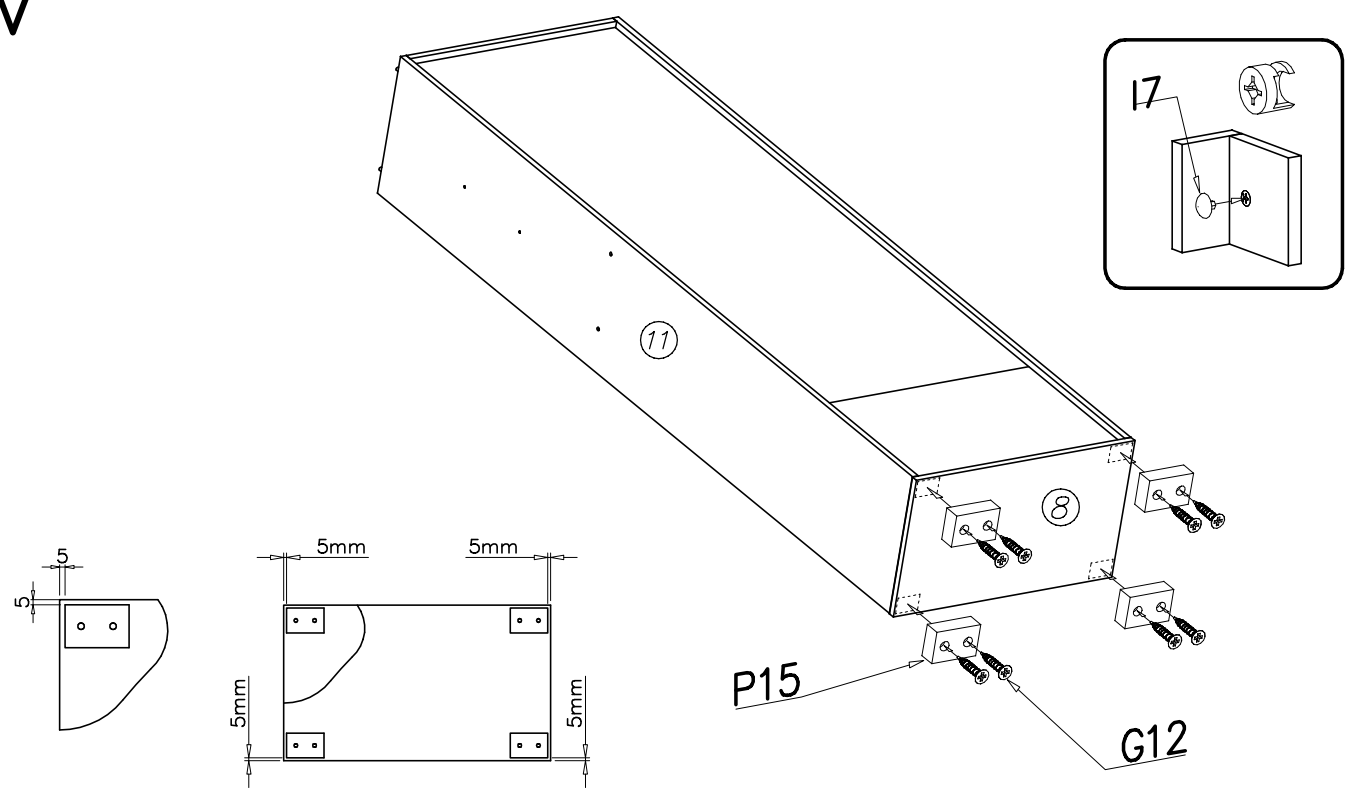


IV

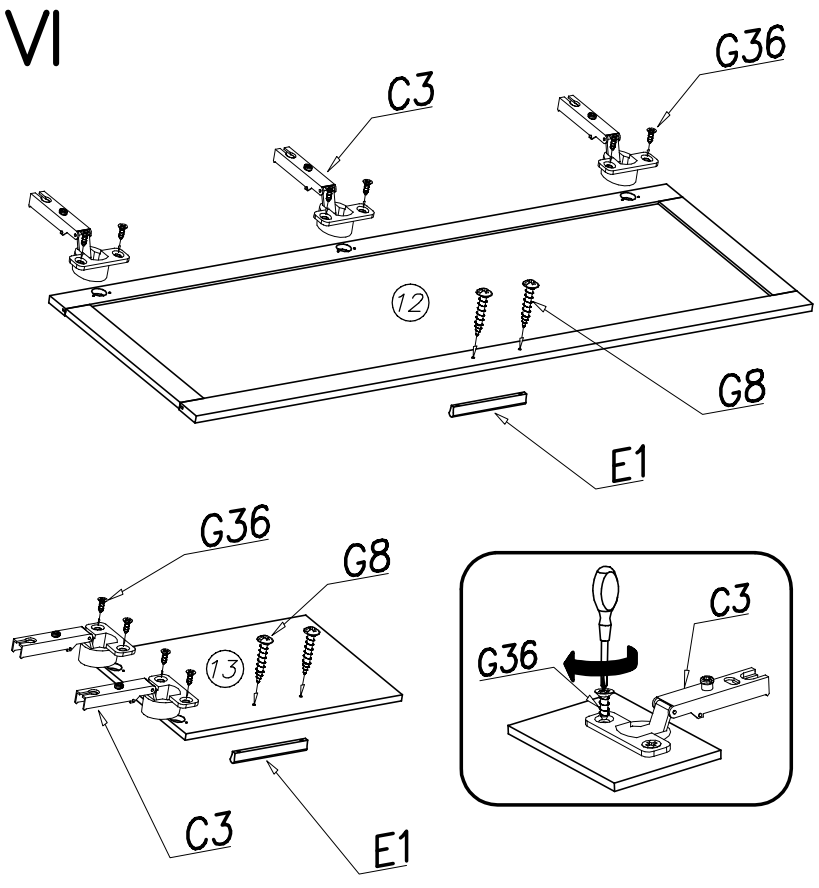




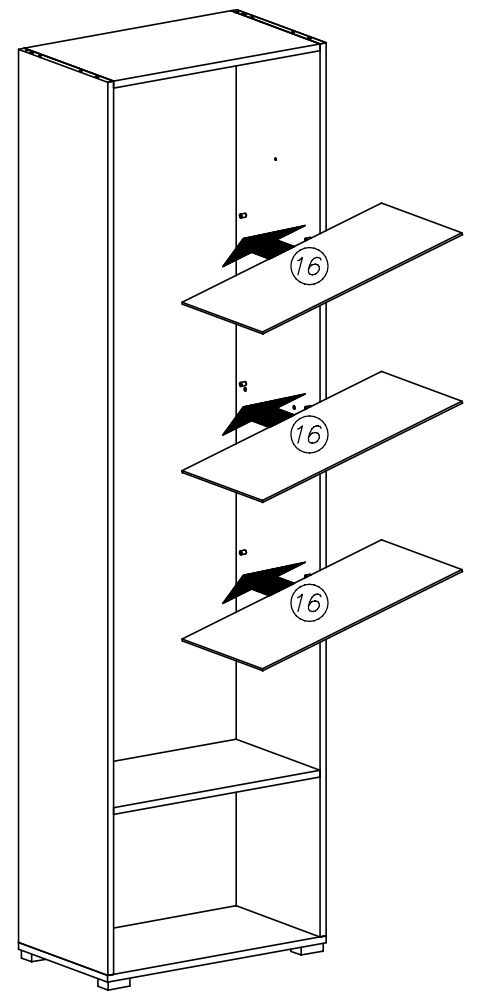
V

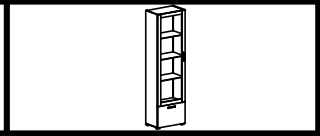


VI

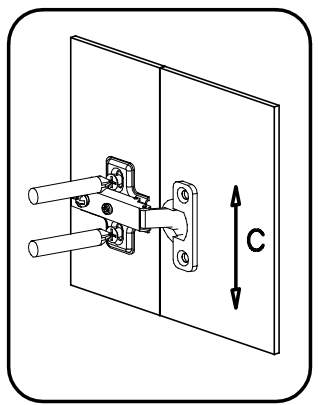
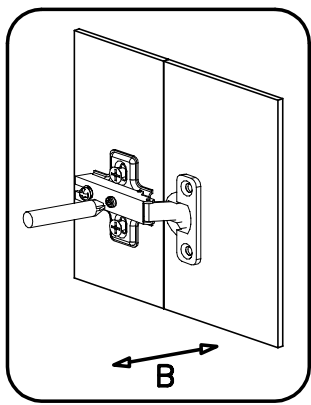
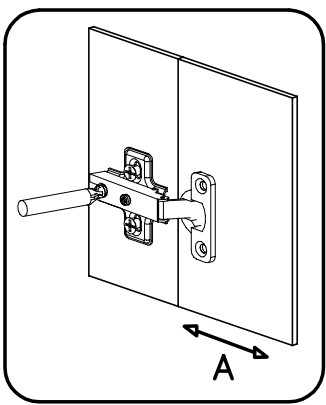
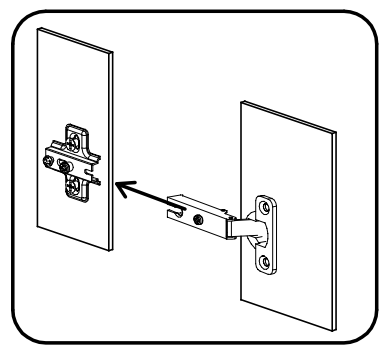
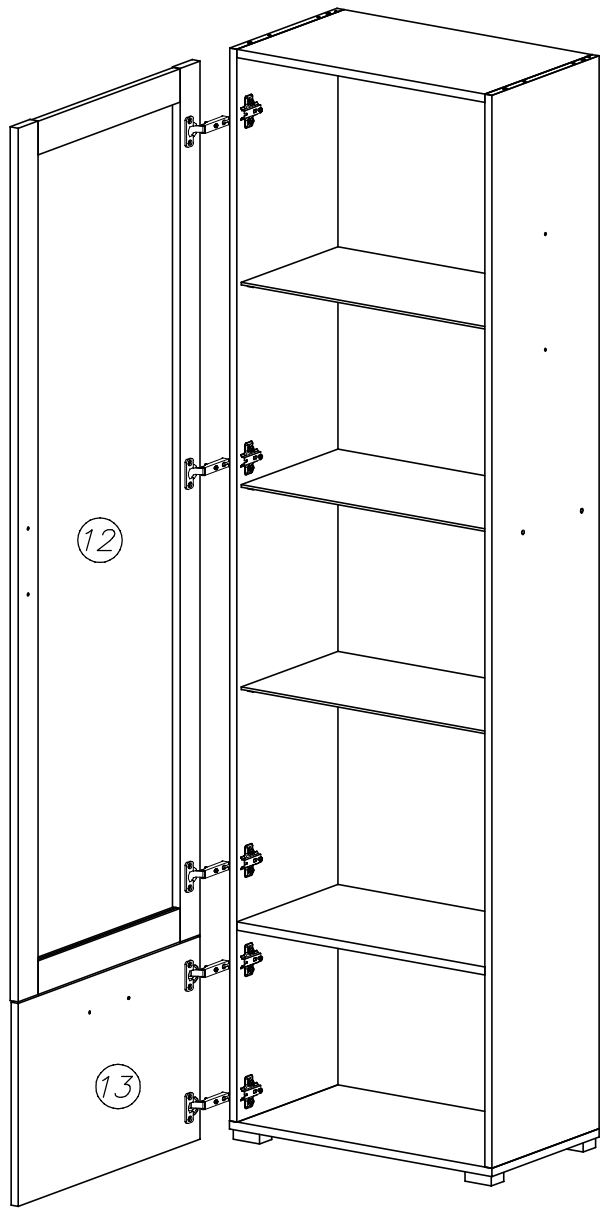


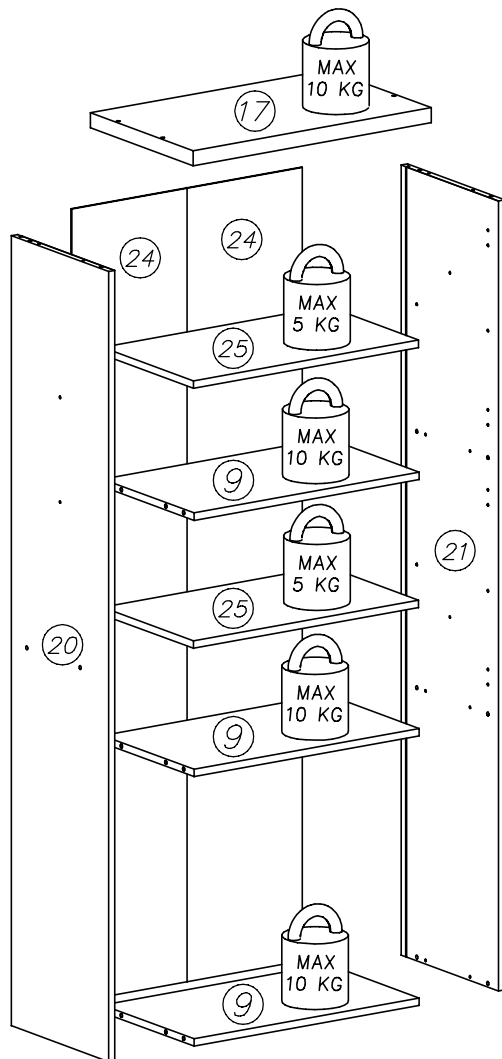
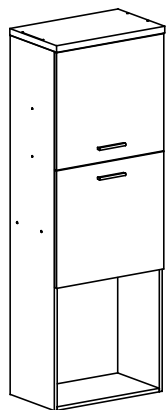
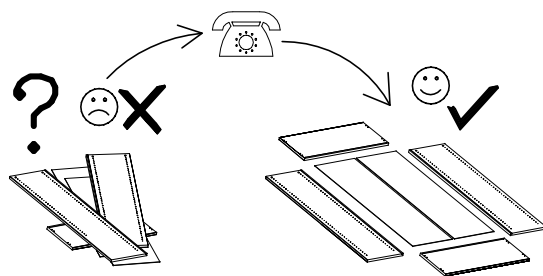
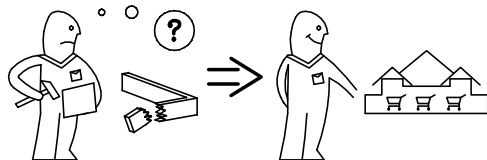
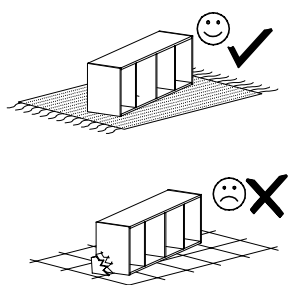
VII



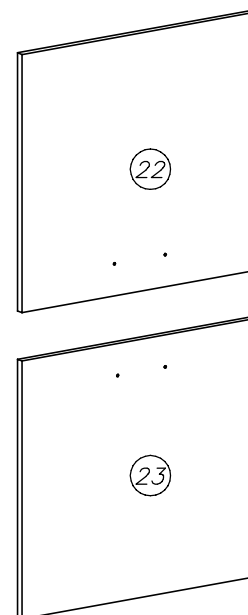


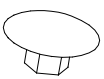
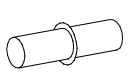
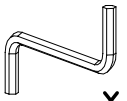

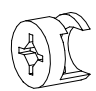

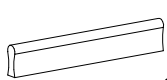
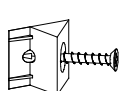

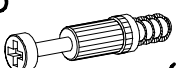

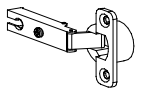
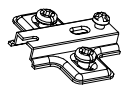
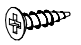
# VII

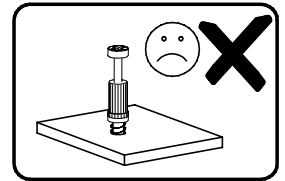
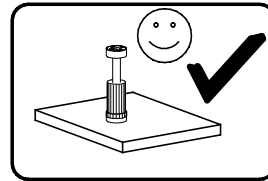
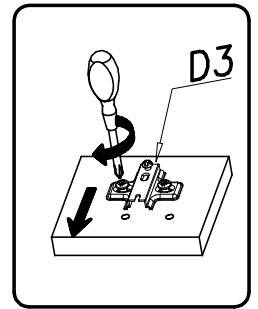
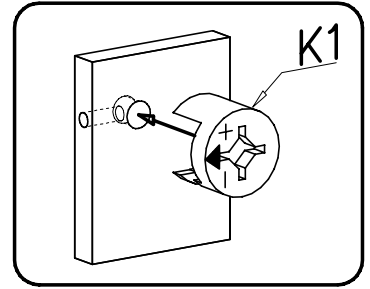
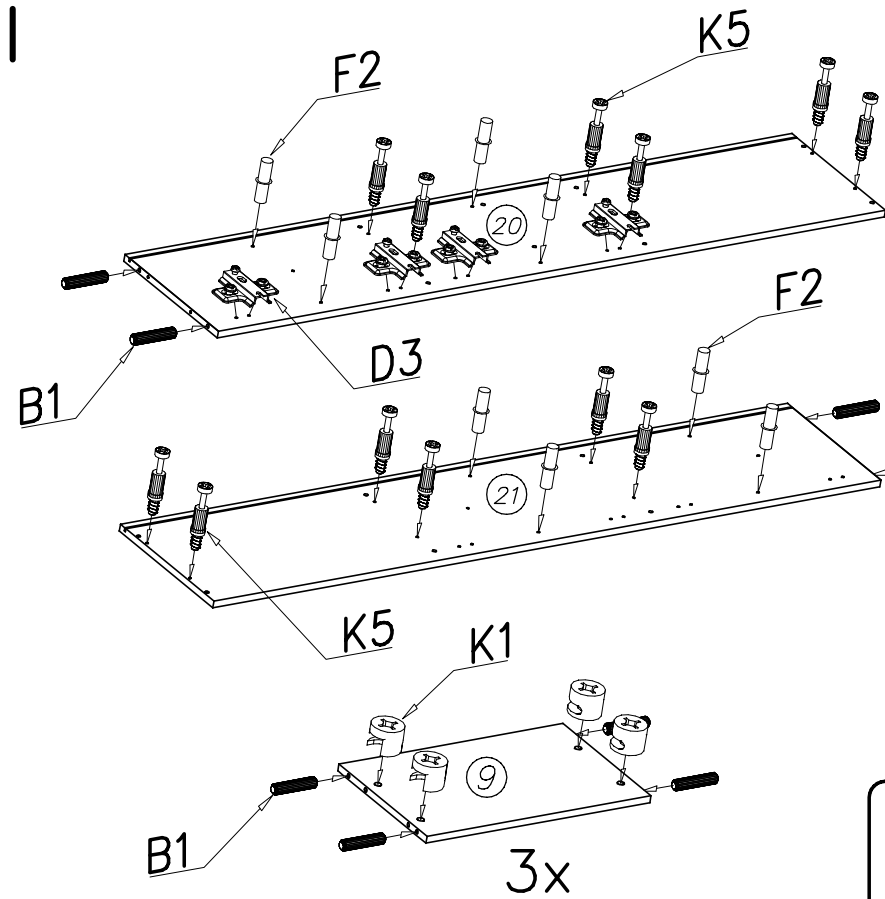




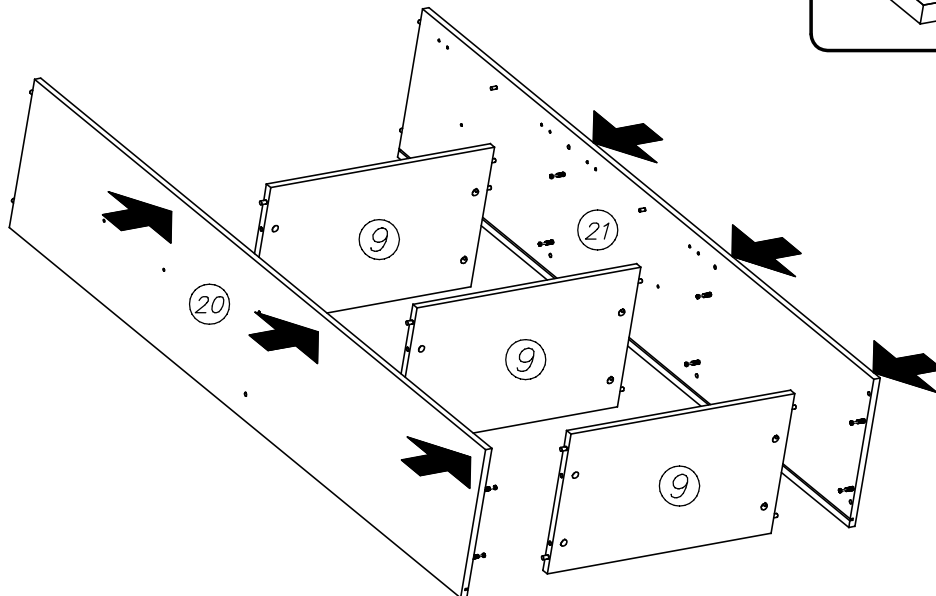
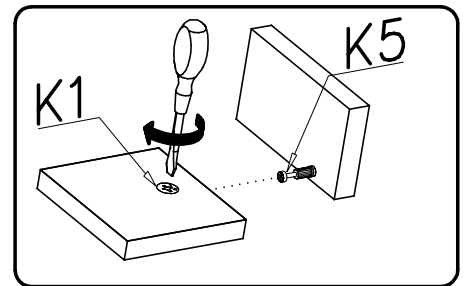
nr	L[mm]	B[mm]	T[mm]	Menge	Coll
9	567	330	16	3	5,6/8
17	600	370	32	1	5/8
20	1689	350	16	1	5/8
21	1689	350	16	1	5/8
22	552	594	16	1	3/8
23	552	594	16	1	3/8
24	1695	289	3	2	5/8
25	567	328	16	2	5/8

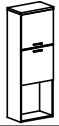


<b>I7</b>  $\varnothing 18$ x...(8)	<b>F2</b>  x...(8)	<b>W2</b>  x...(1)	<b>A2</b>  $\varnothing 7 \times 70$ x...(4)	
<b>K1</b>  $\varnothing 15 \times 12$ x...(12)	<b>G8</b>  4x30 x...(4)	<b>E1</b>  128mm x...(2)	<b>I1</b>  x...(8)	<b>G21</b>  3x16 x...(15)
<b>K5</b>  x...(12)	<b>B1</b>  $\varnothing 8 \times 35$ x...(16)	<b>C3</b>  Z35PR x...(4)	<b>D3</b>  PZ35PR x...(4)	<b>G36</b>  3,5x13 x...(8)

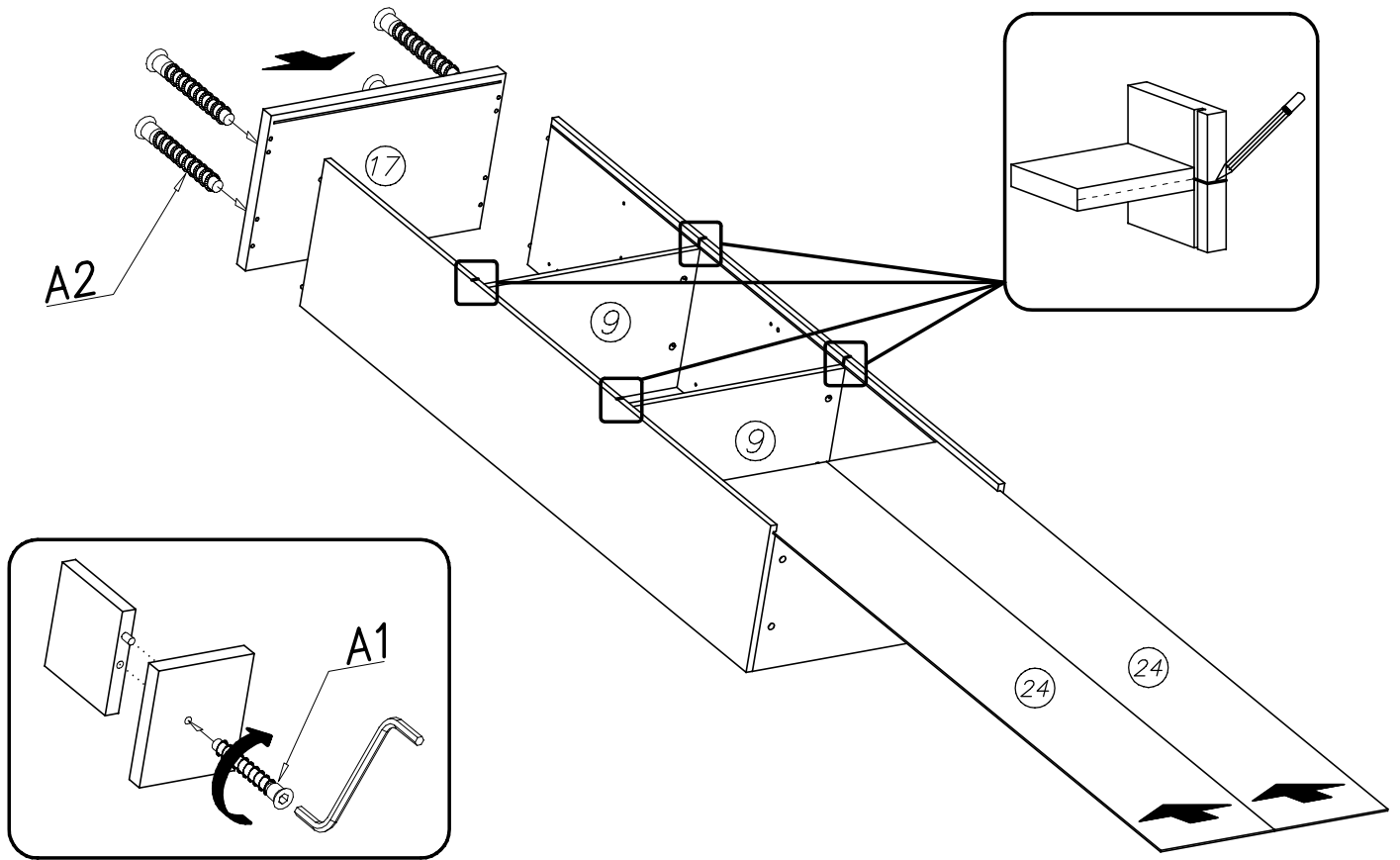


II

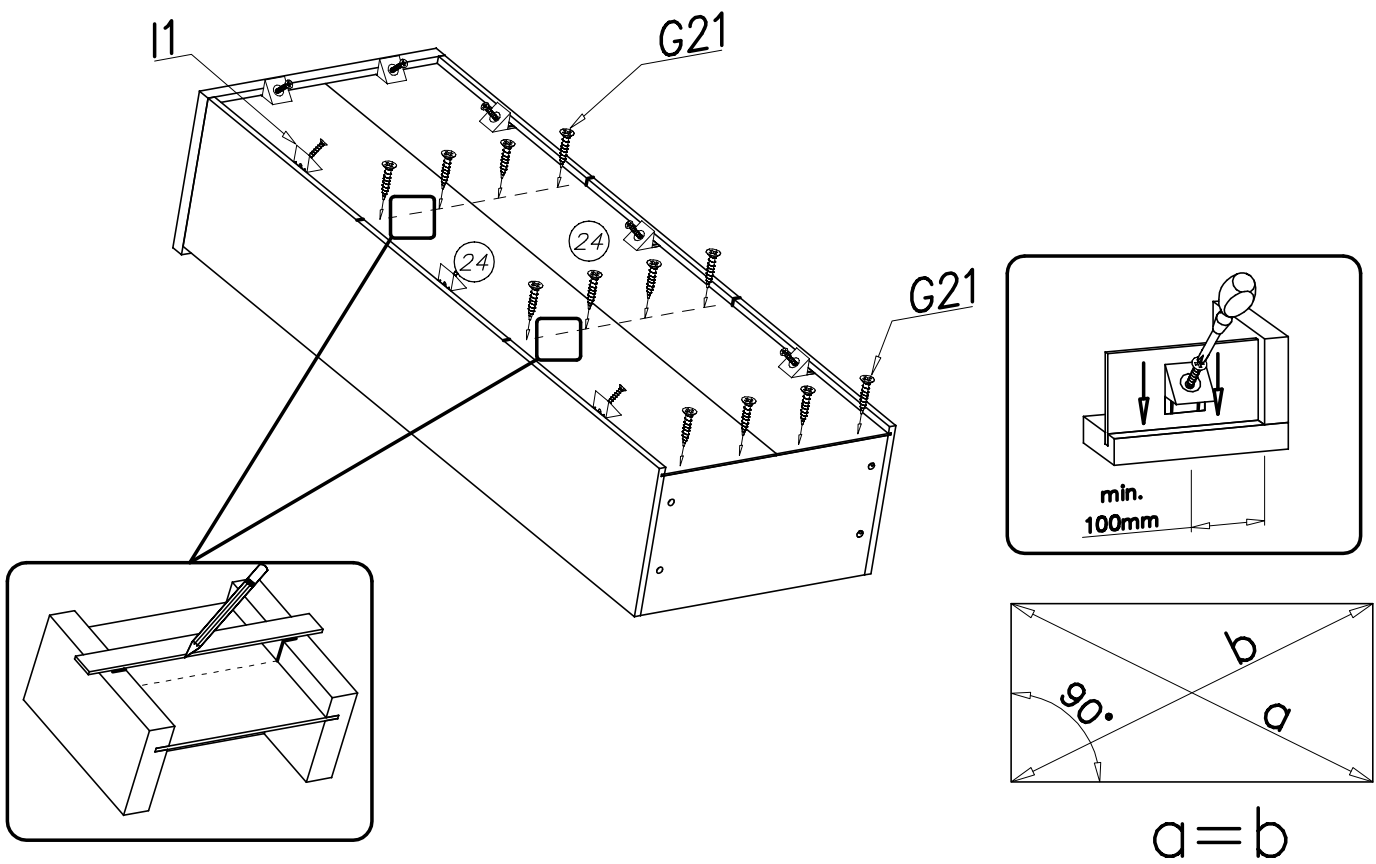


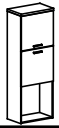


III

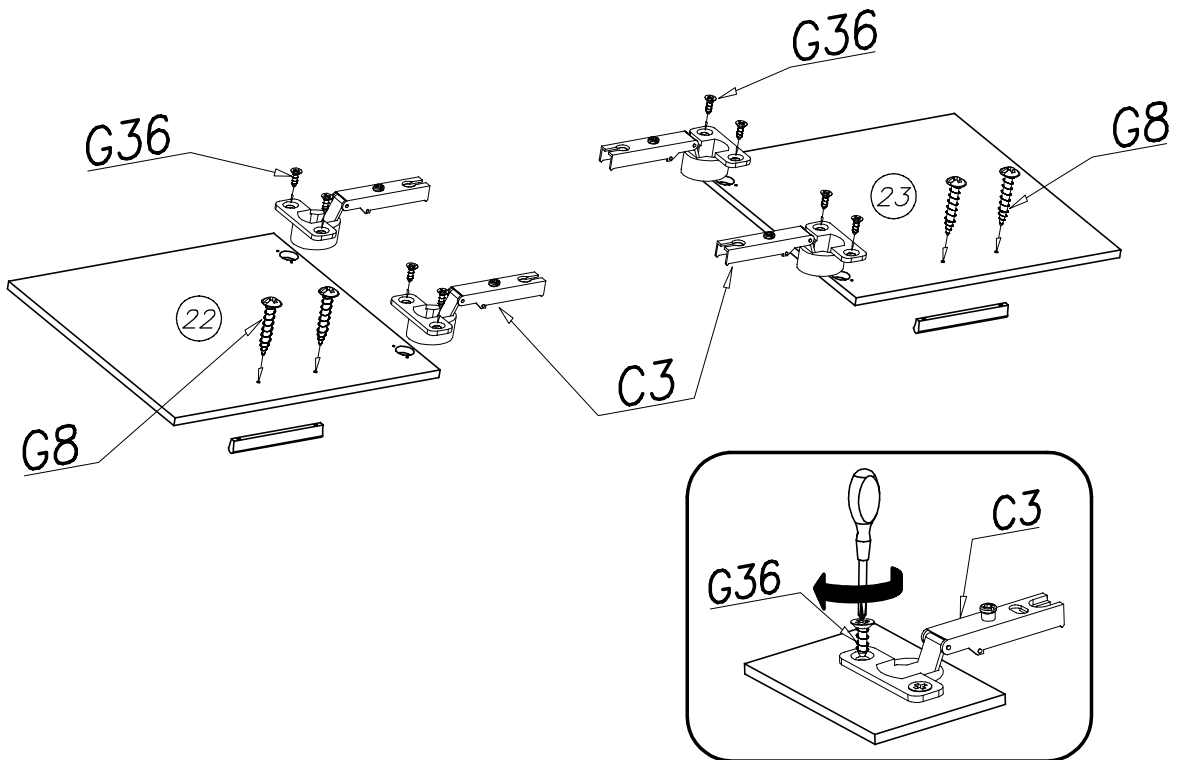


IV

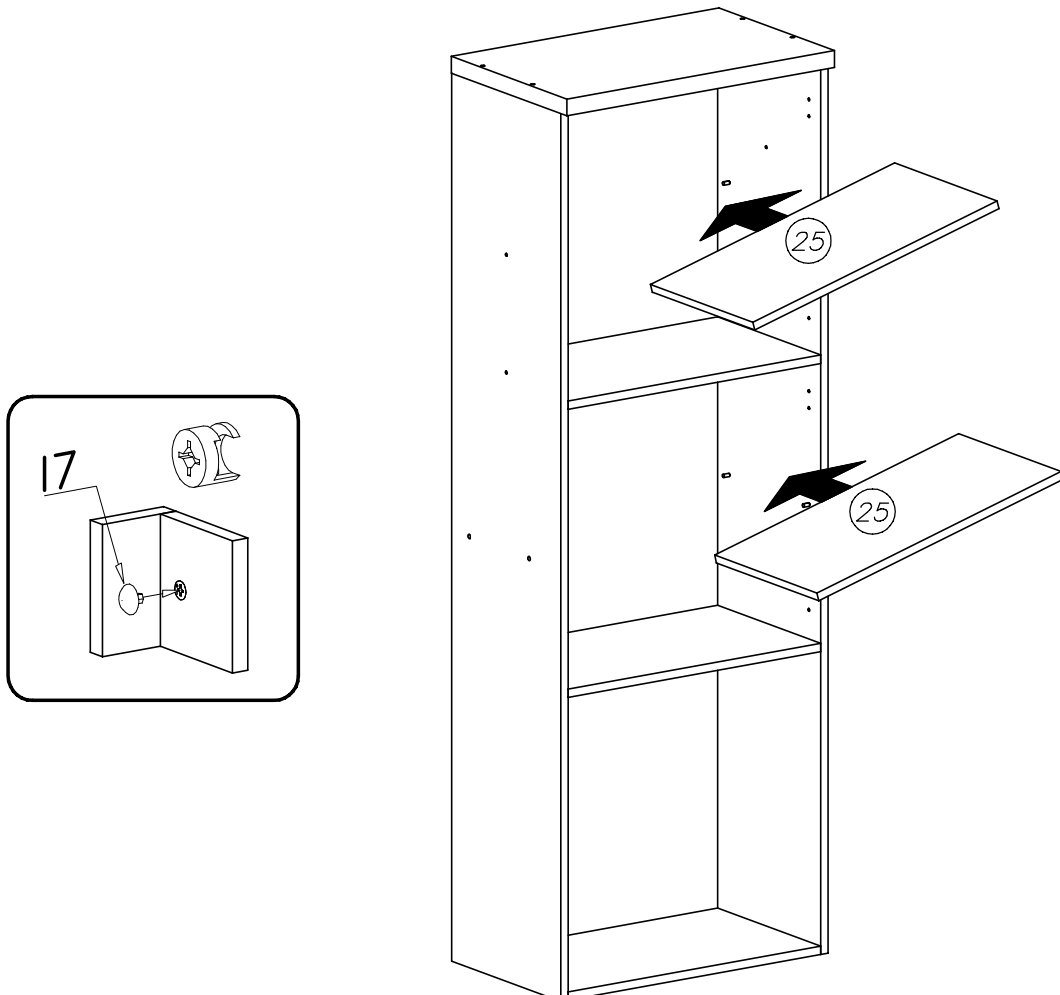


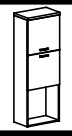


V

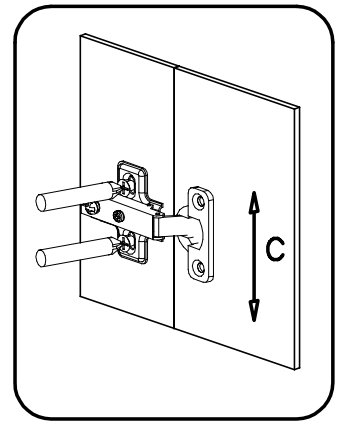
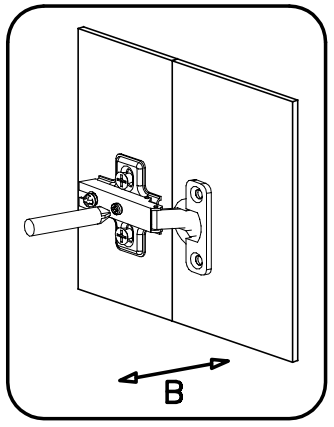
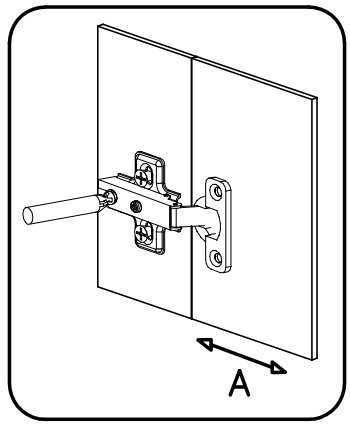
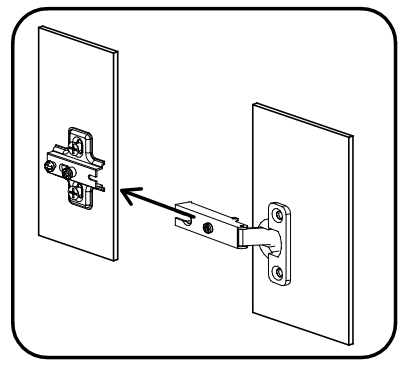
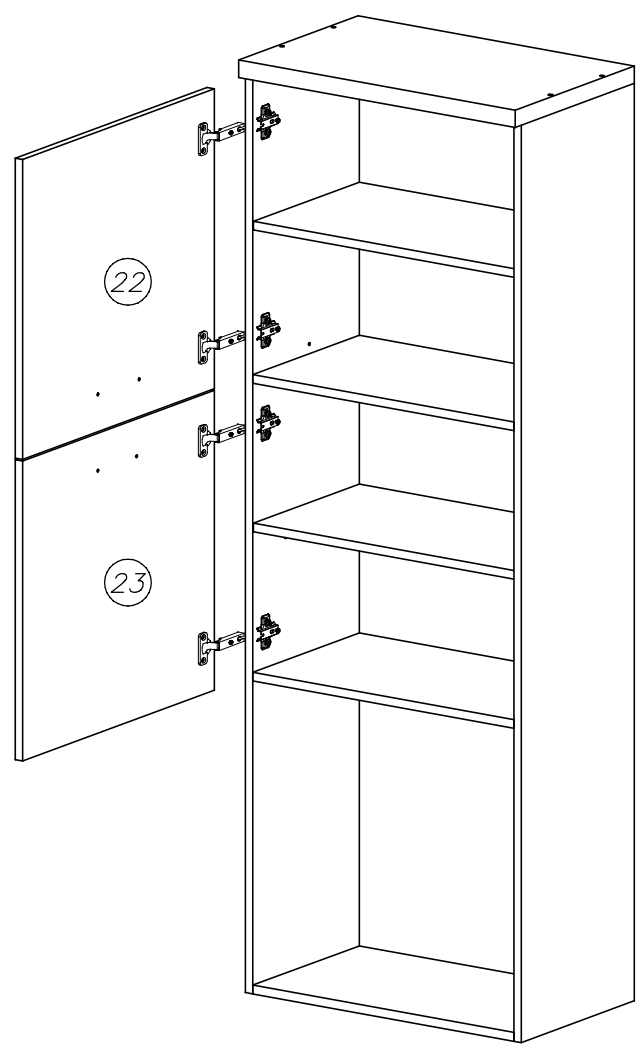


VI



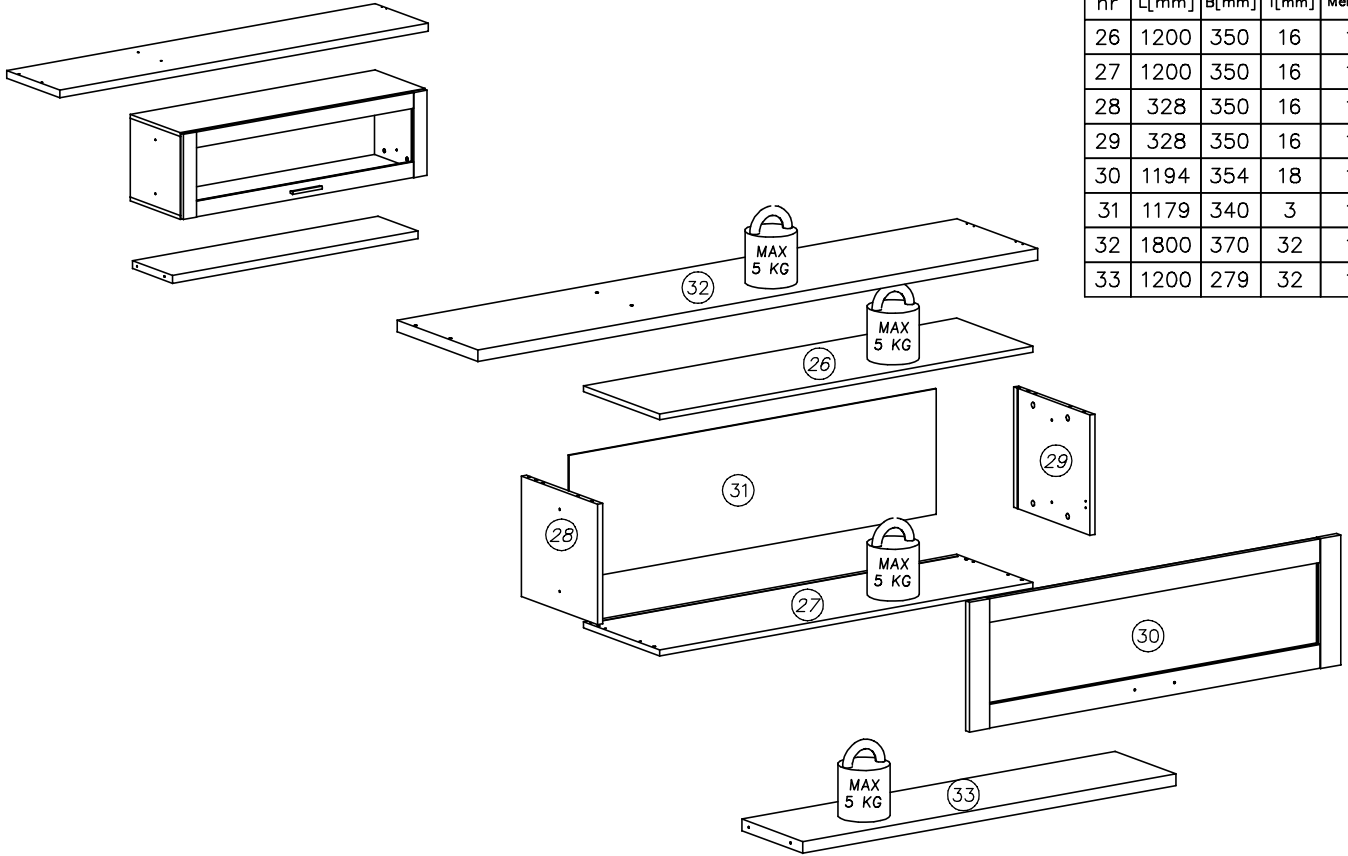
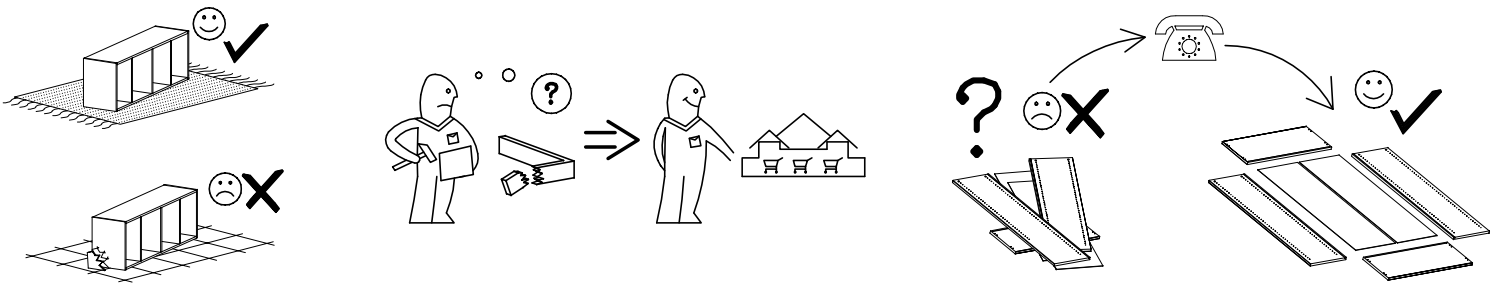


VII

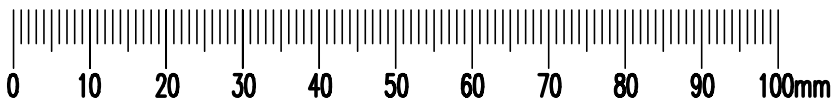




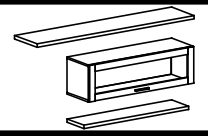
# MASTER I MA-D



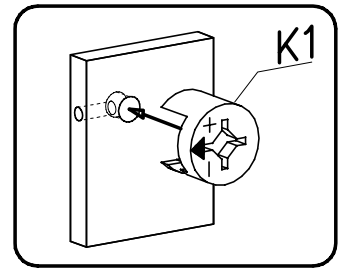
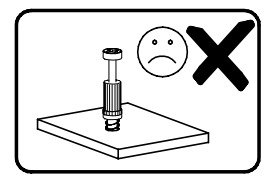
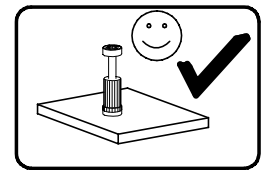
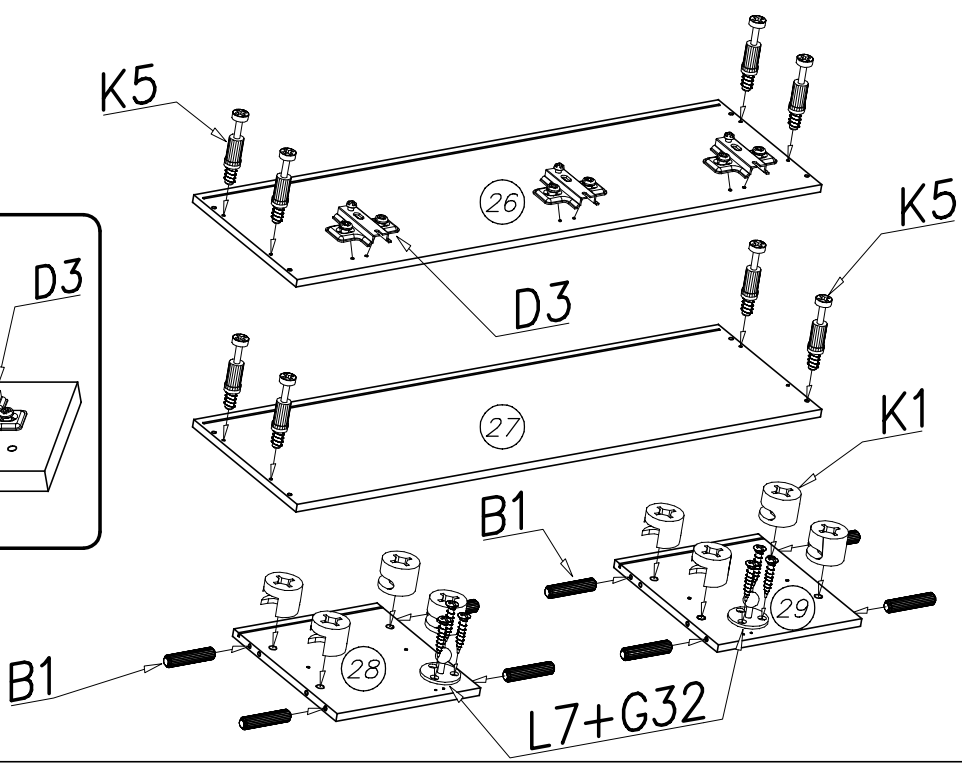
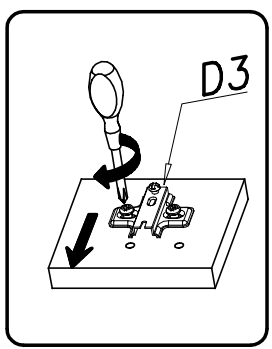
nr	L[mm]	B[mm]	T[mm]	Menge	Colli
26	1200	350	16	1	6/8
27	1200	350	16	1	6/8
28	328	350	16	1	6/8
29	328	350	16	1	6/8
30	1194	354	18	1	6/8
31	1179	340	3	1	6/8
32	1800	370	32	1	4/8
33	1200	279	32	1	6/8



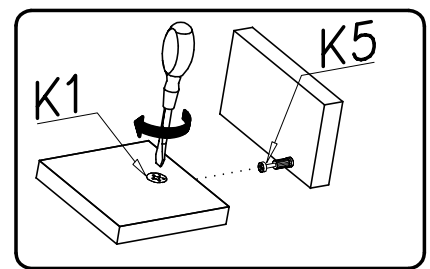
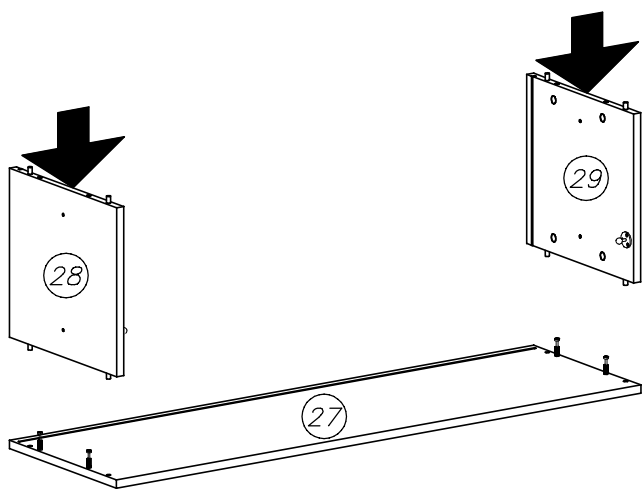
<b>G32</b>  3,5x16 x...(10)	<b>A2</b>  ø7x70 x...(4)	<b>A1</b>  ø7x50 x...(4)		
<b>N7</b>  M4x15 x...(4)	<b>M1</b>  x...(2)	<b>G28</b>  4x60 x...(2)	<b>M11</b>  x...(2)	<b>U6</b>  ø8x40 x...(2)
<b>I7</b>  ø18 x...(8)	<b>E1</b>  128mm x...(1)	<b>L7</b>  80N x...(2)	<b>G8</b>  4x30 x...(4)	<b>W3</b>  x...(2)
<b>K1</b>  ø15x12 x...(8)	<b>G12</b>  4x25 x...(8)		<b>I1</b>  x...(8)	<b>W2</b>  x...(1)
<b>K5</b>  x...(8)	<b>B1</b>  ø8x35 x...(8)	<b>C3</b>  Z35PR x...(3)	<b>D3</b>  PZ35PR x...(3)	<b>G36</b>  3,5x13 x...(10)



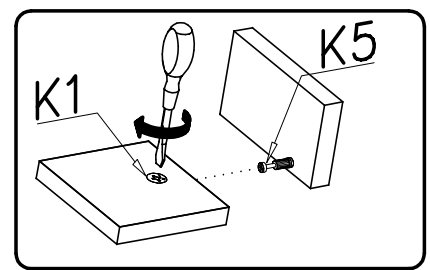
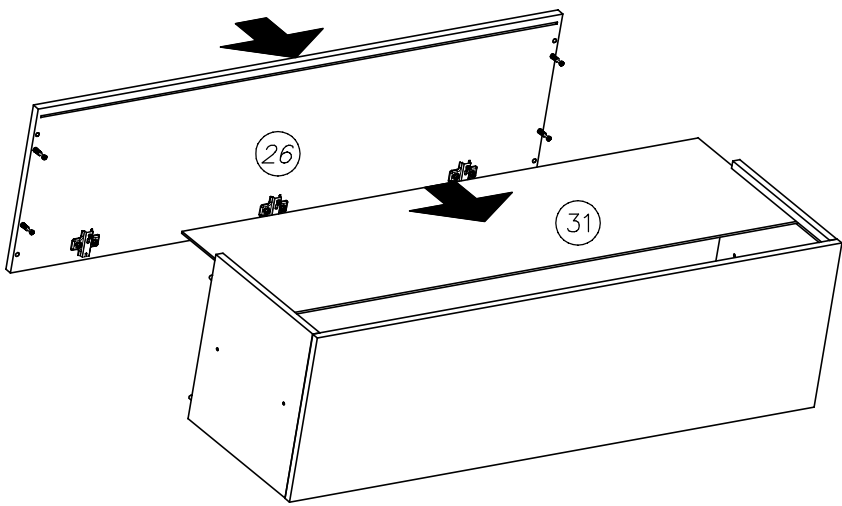
I

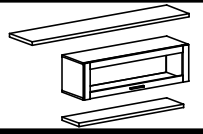


II

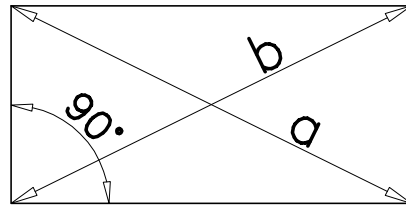
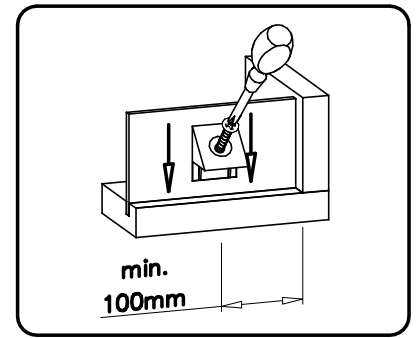
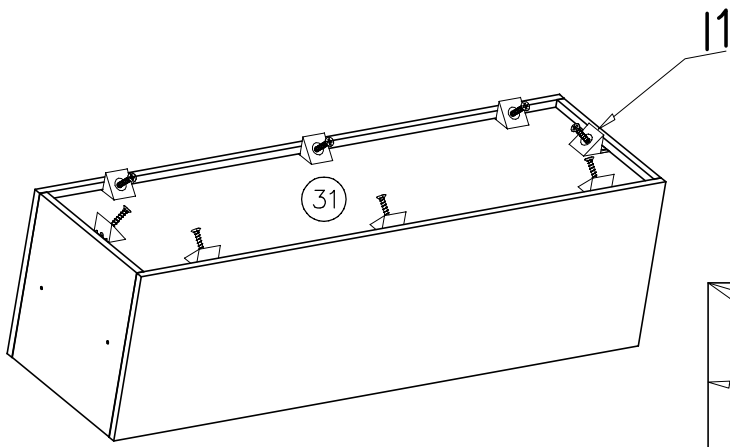


III



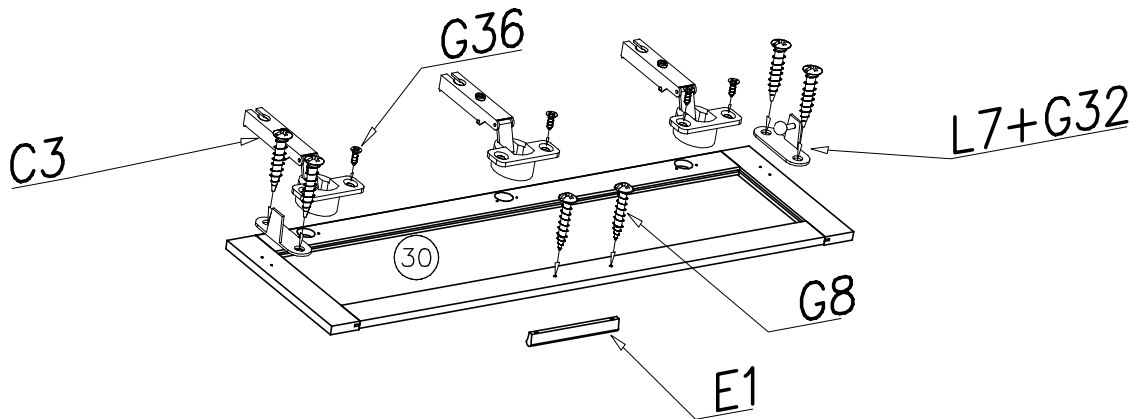


IV

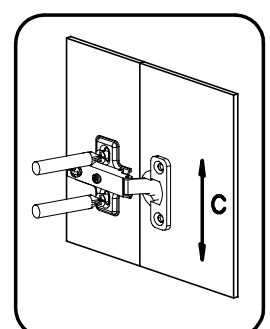
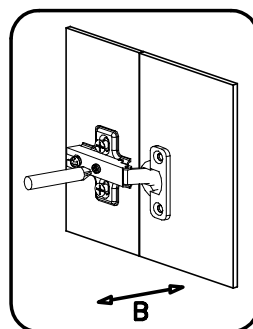
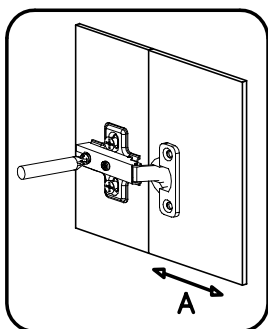
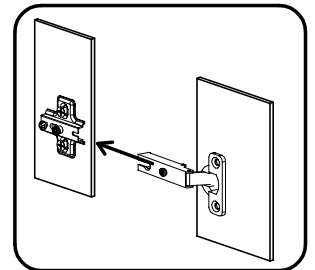
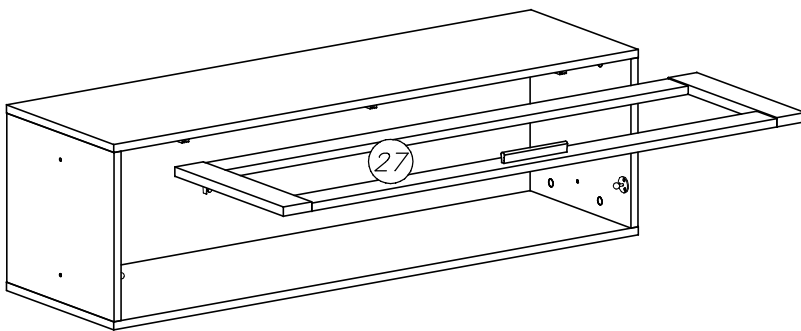


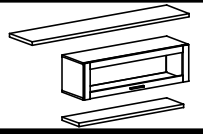
$a = b$

V

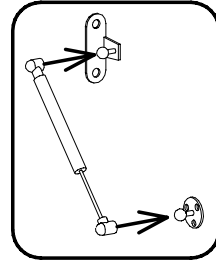
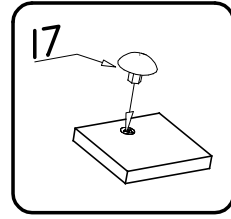
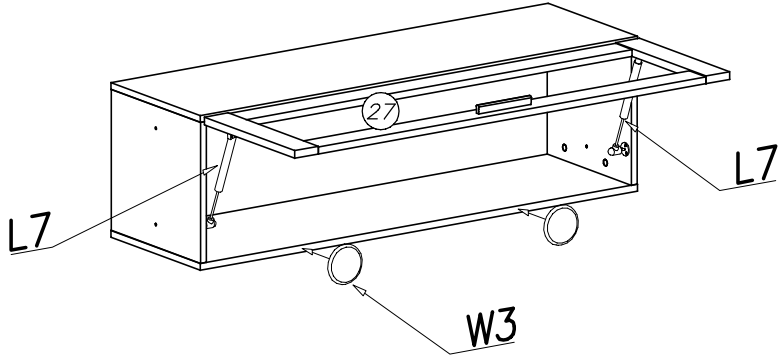


VI





VII

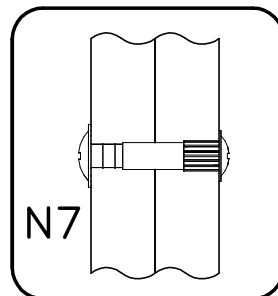
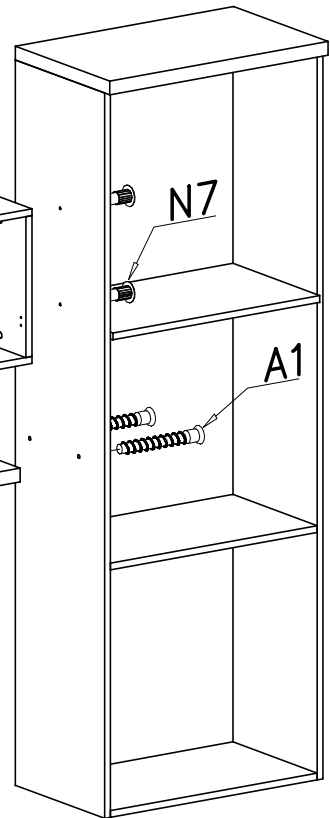
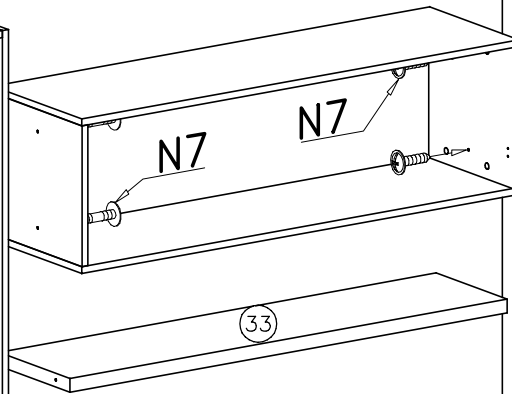
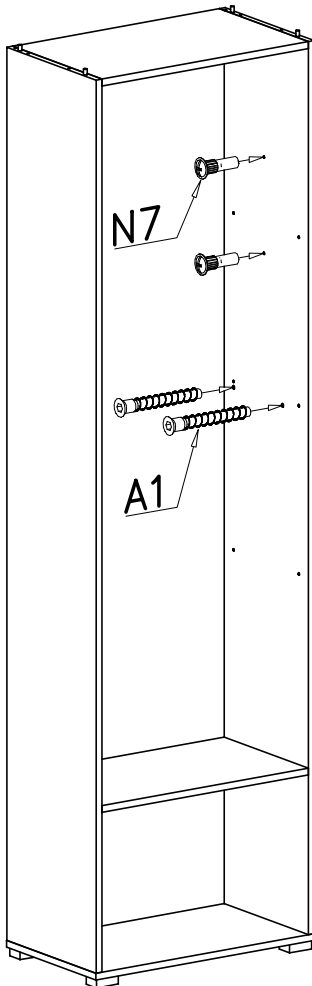


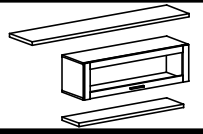
VIII

MA-B

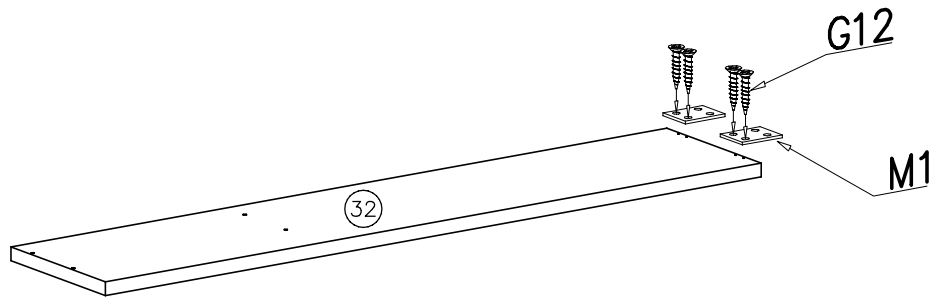
MA-D

MA-C

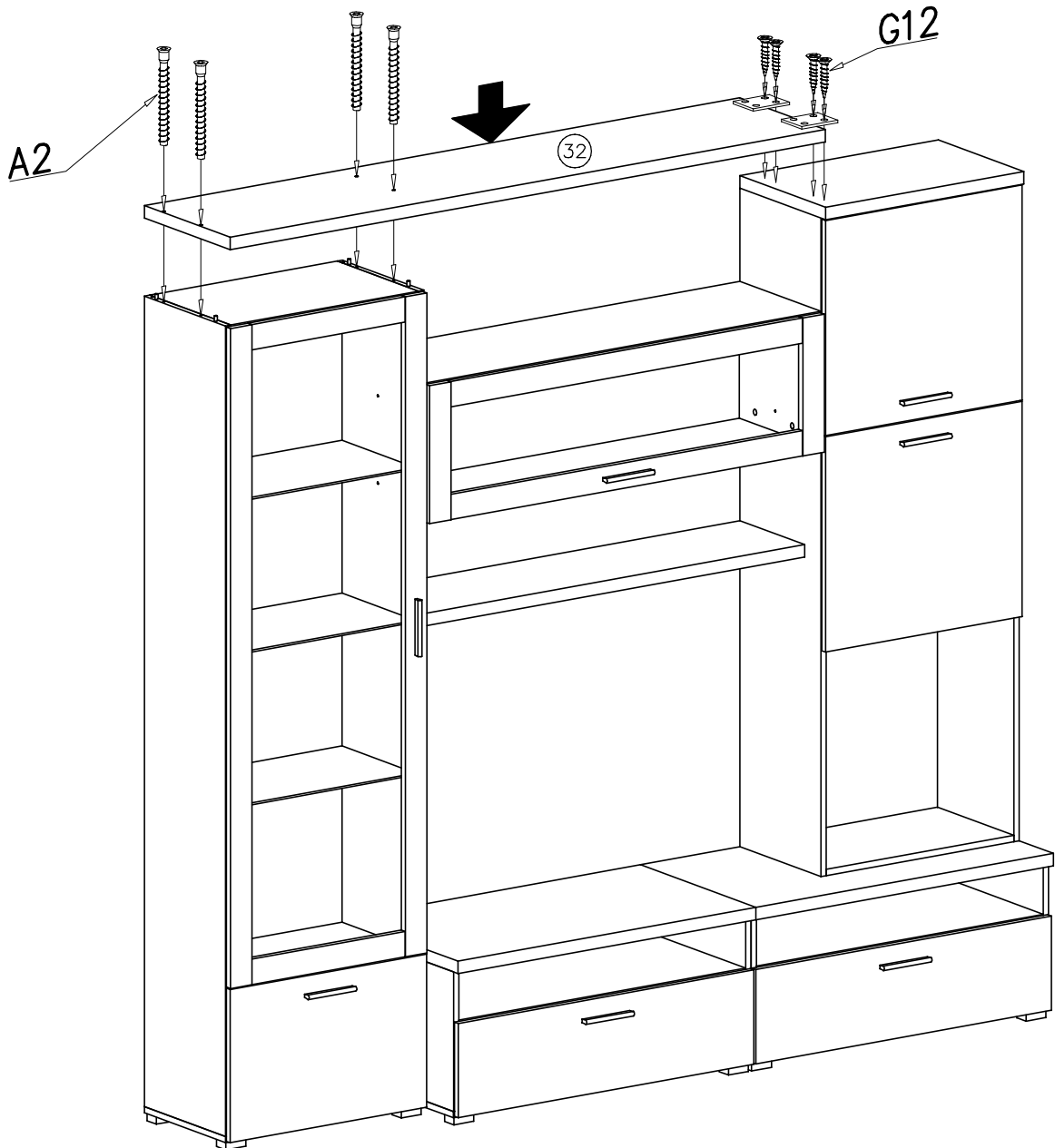


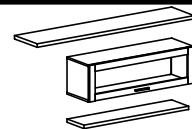


IX

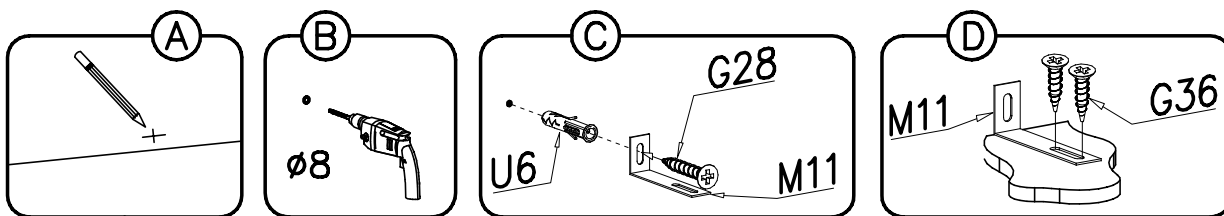


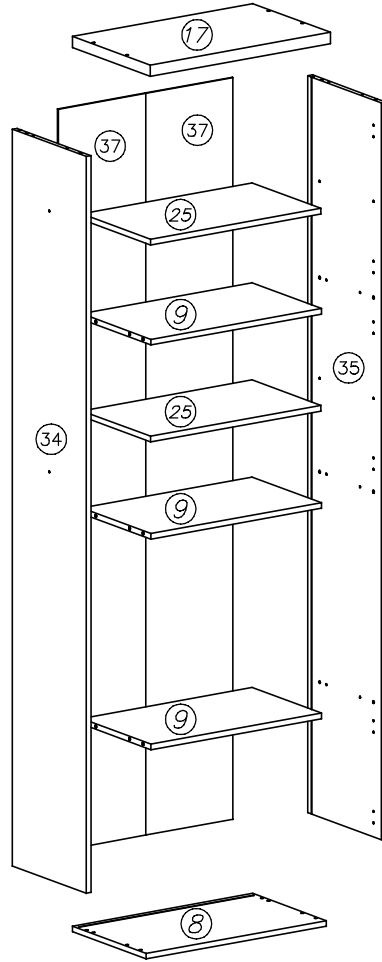
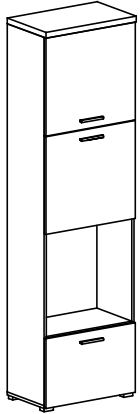
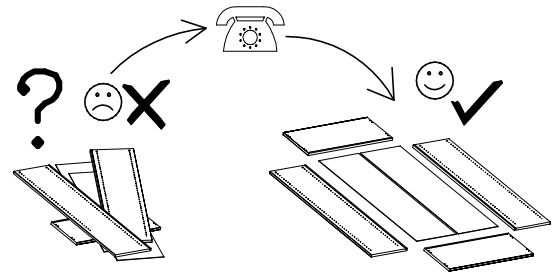
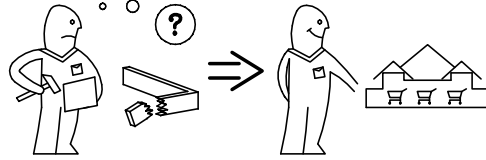
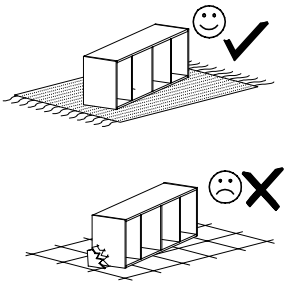
X



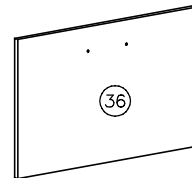
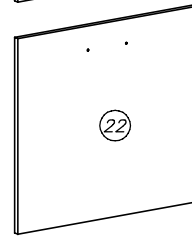
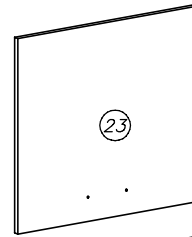


XI

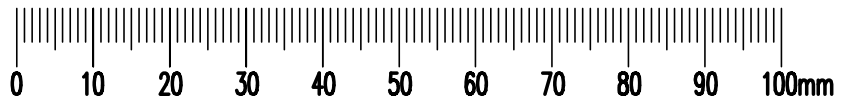




nr	L[mm]	B[mm]	T[mm]	Menge	Coll
8	600	350	16	1	7/8
9	567	330	16	3	8/8
17	600	370	32	1	7/8
25	567	328	16	2	7/8
22	552	594	16	1	7/8
23	552	594	16	1	7/8
34	2079	350	16	1	8/8
35	2079	350	16	1	8/8
36	393	594	16	1	7/8
37	2091	578	3	1	8/8



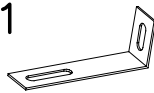
**G28**  
4x60 x...(1)



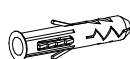
**A2**  
ø7x70 x...(4)



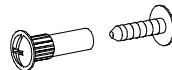
**M11**  
x...(1)



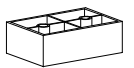
**U6**  
ø8x40 x...(1)



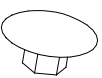
**N7**  
M4x15 x...(2)



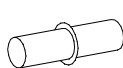
**P15**  
x...(4)



**I7**  
ø18 x...(12)



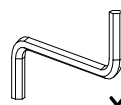
**F2**  
x...(8)



**G12**  
4x25 x...(8)



**W2**  
x...(1)



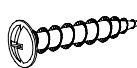
**A1**  
ø7x50 x...(4)



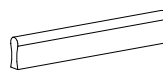
**K1**  
ø15x12 x...(12)



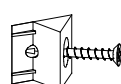
**G8**  
4x30 x...(6)



**E1**  
128mm x...(3)



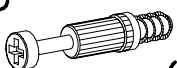
**I1**  
x...(12)



**G21**  
3x16 x...(15)



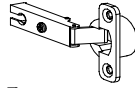
**K5**  
x...(12)



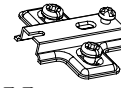
**B1**  
ø8x35 x...(20)



**C3**  
Z35PR x...(6)



**D3**  
PZ35PR x...(6)

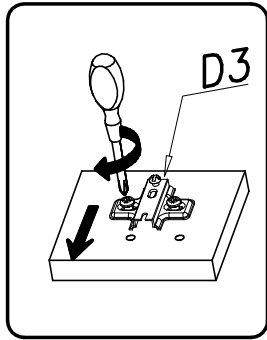
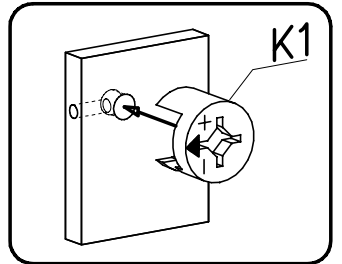
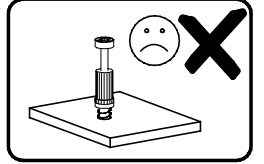
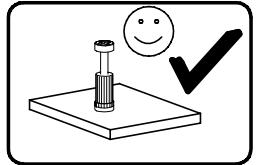
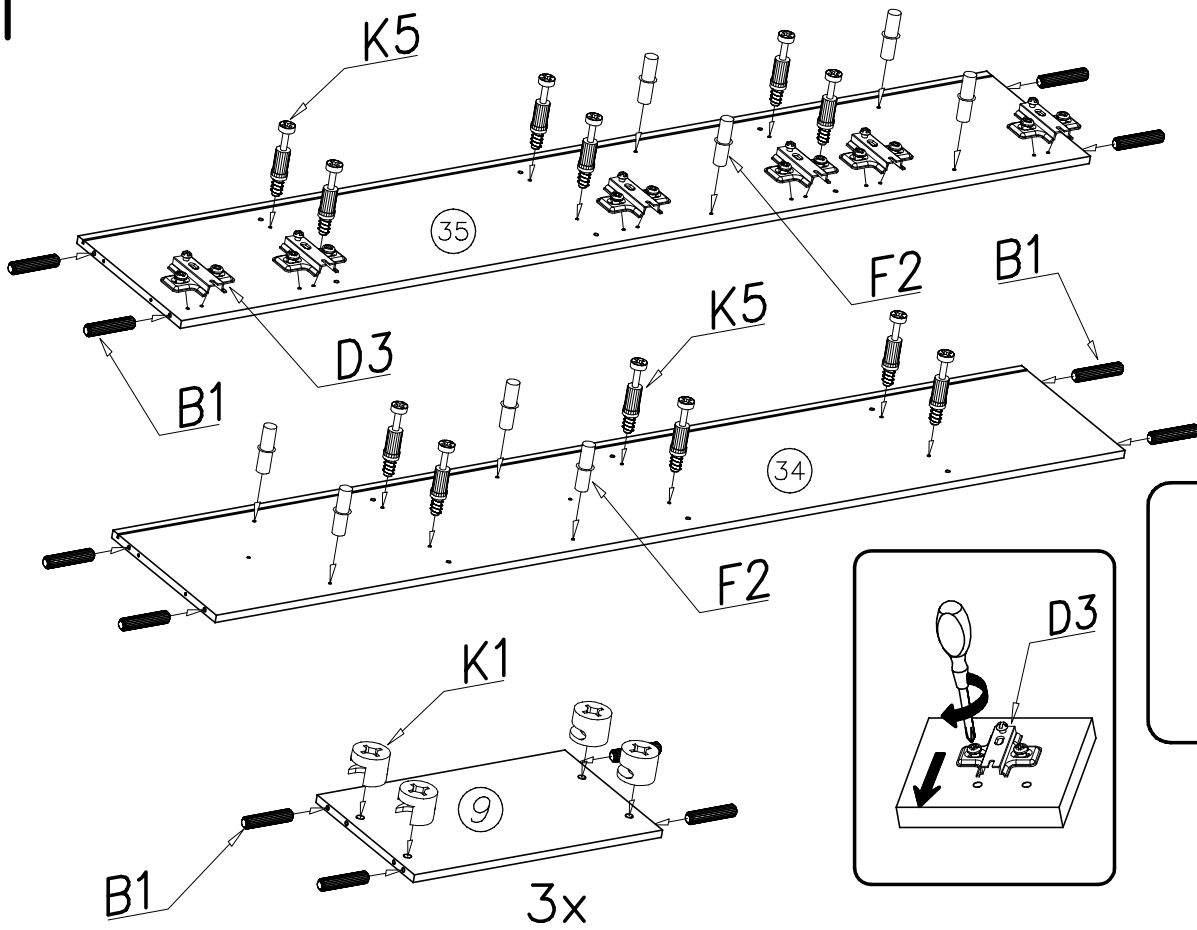


**G36**  
3,5x13 x...(14)

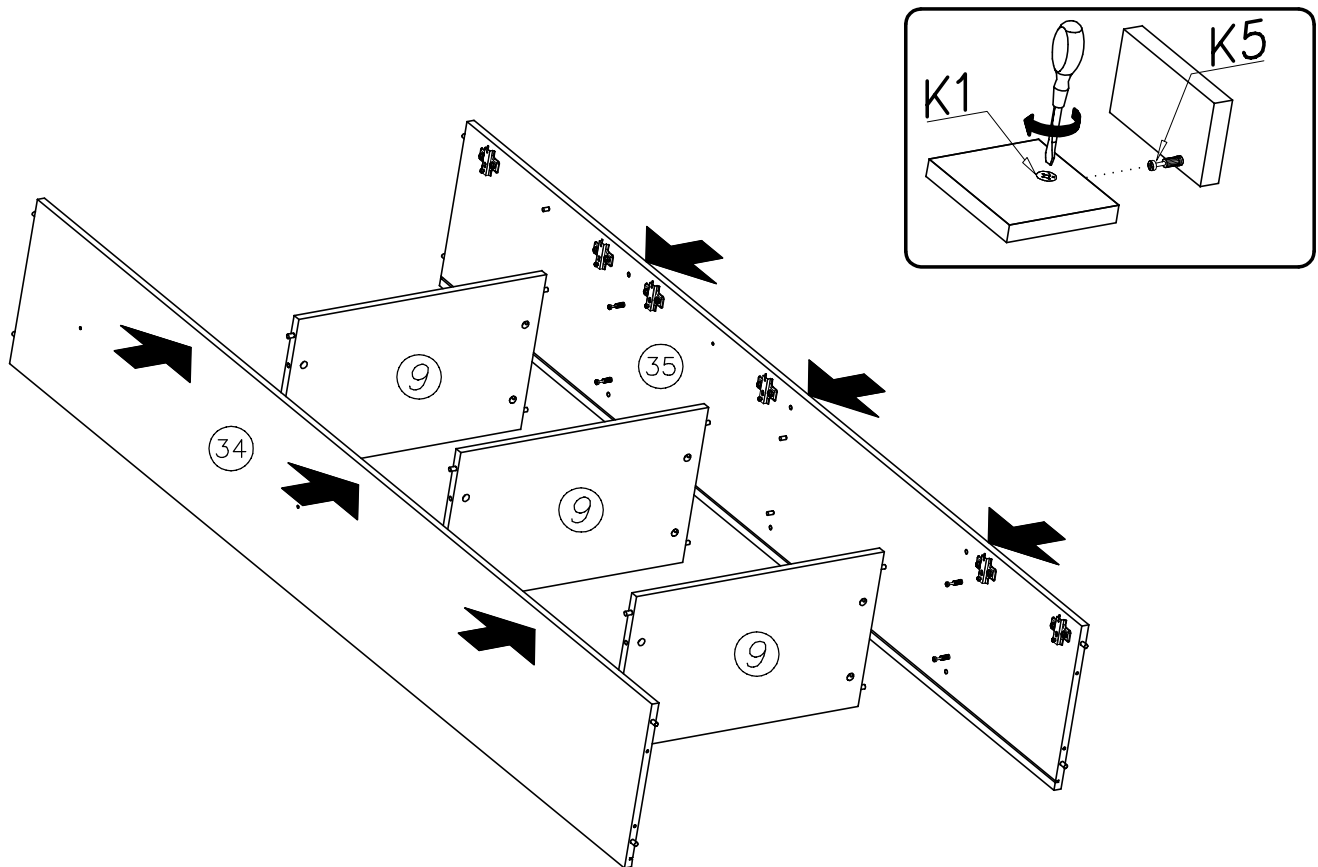




I



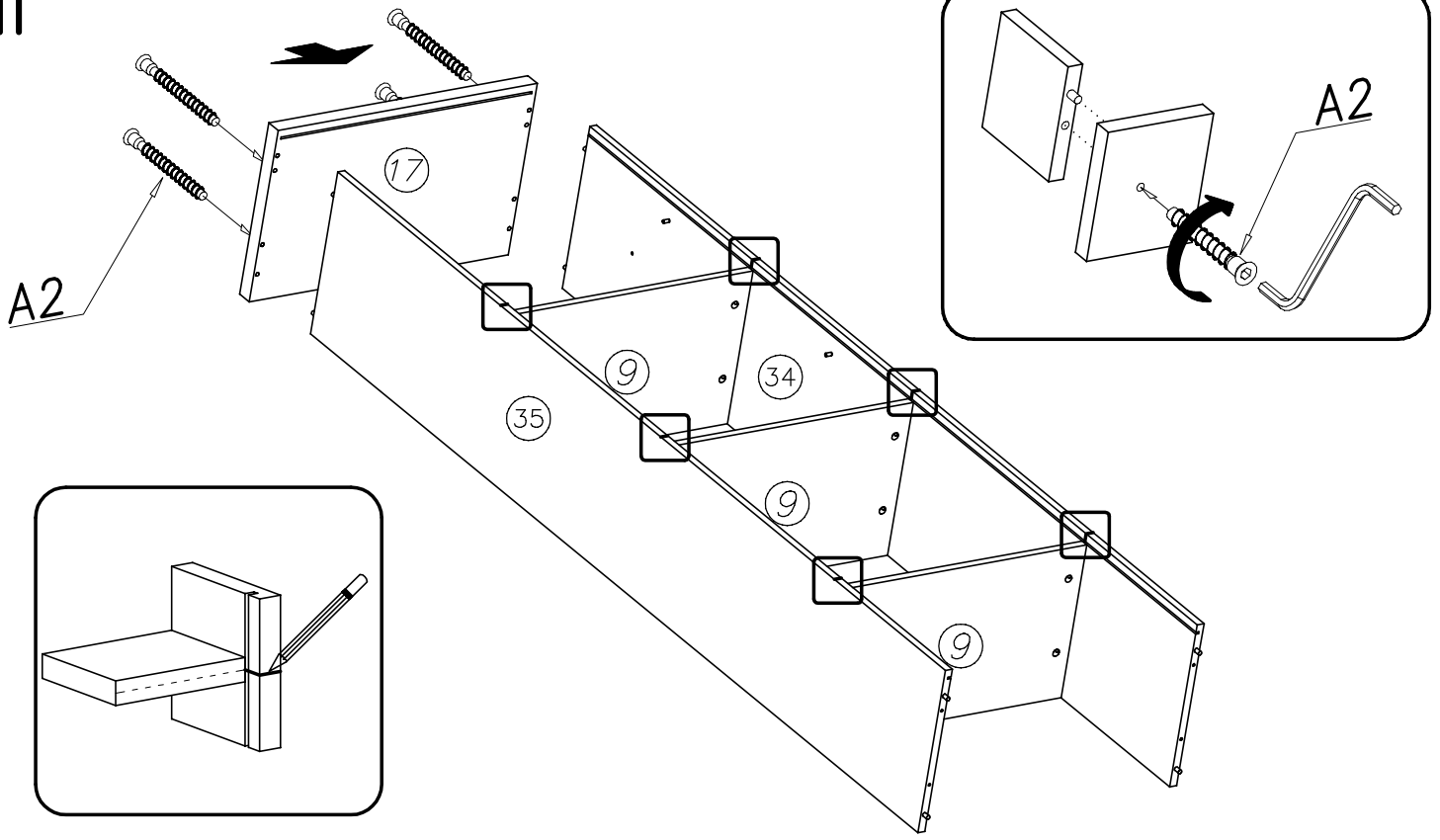
II



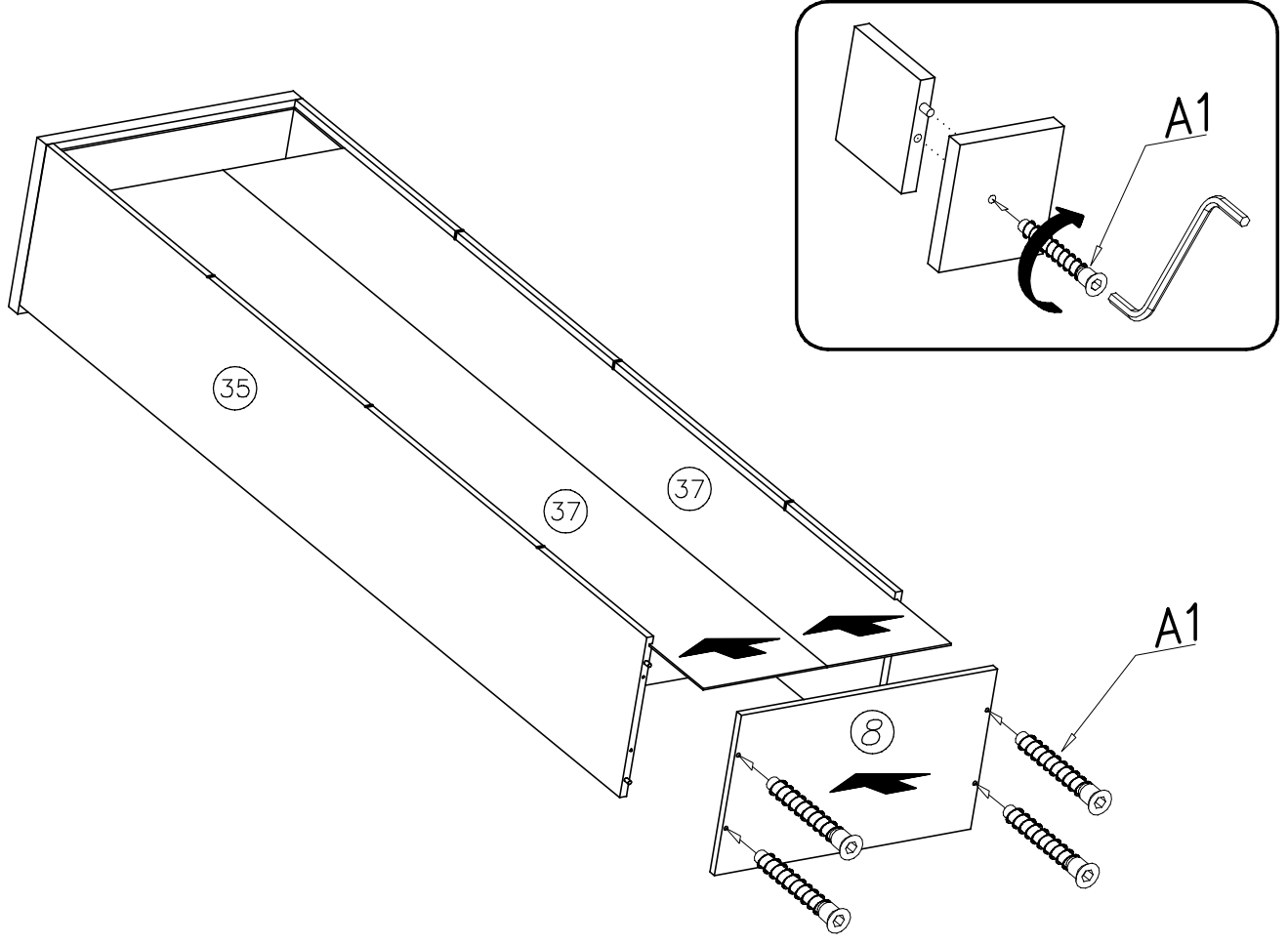


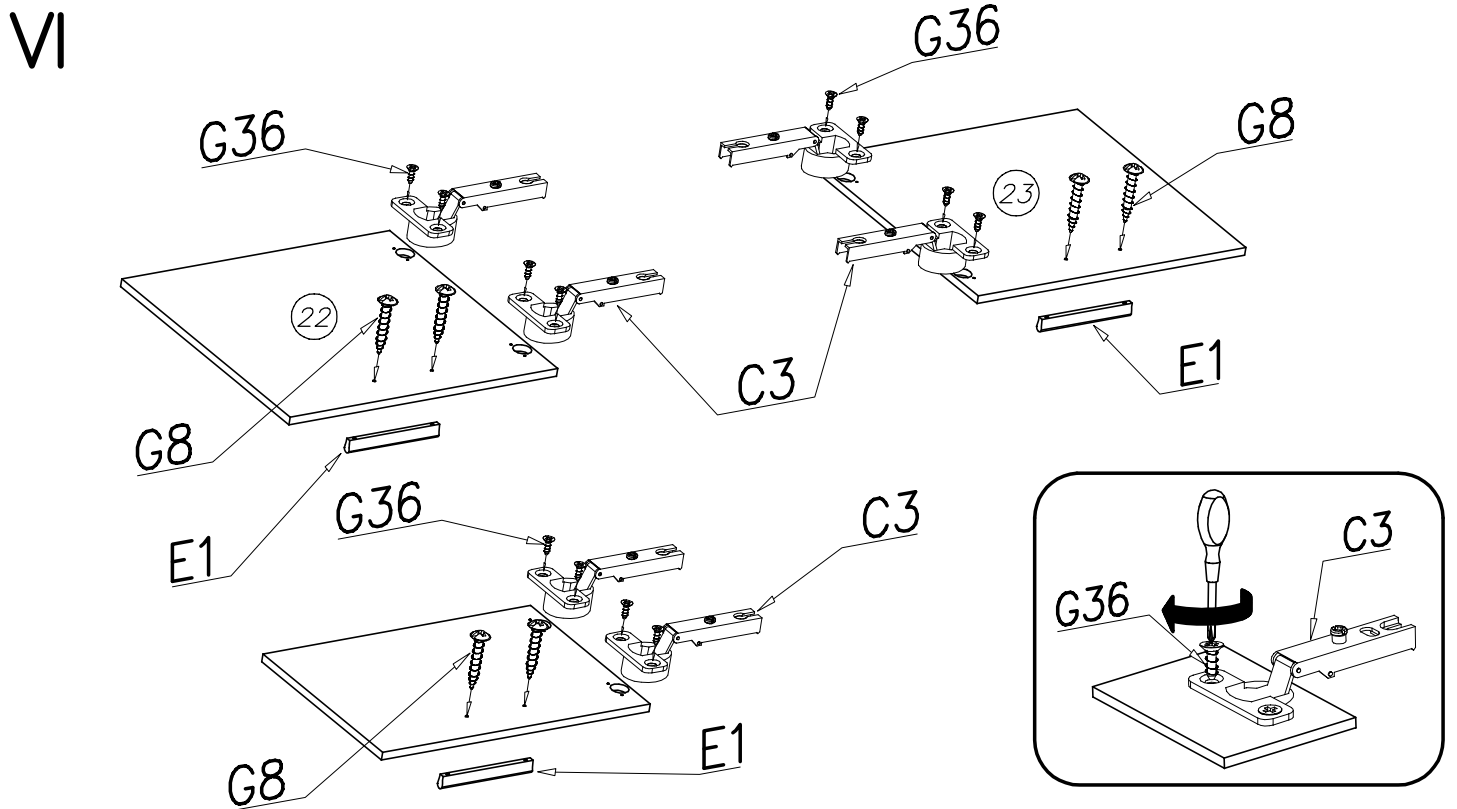
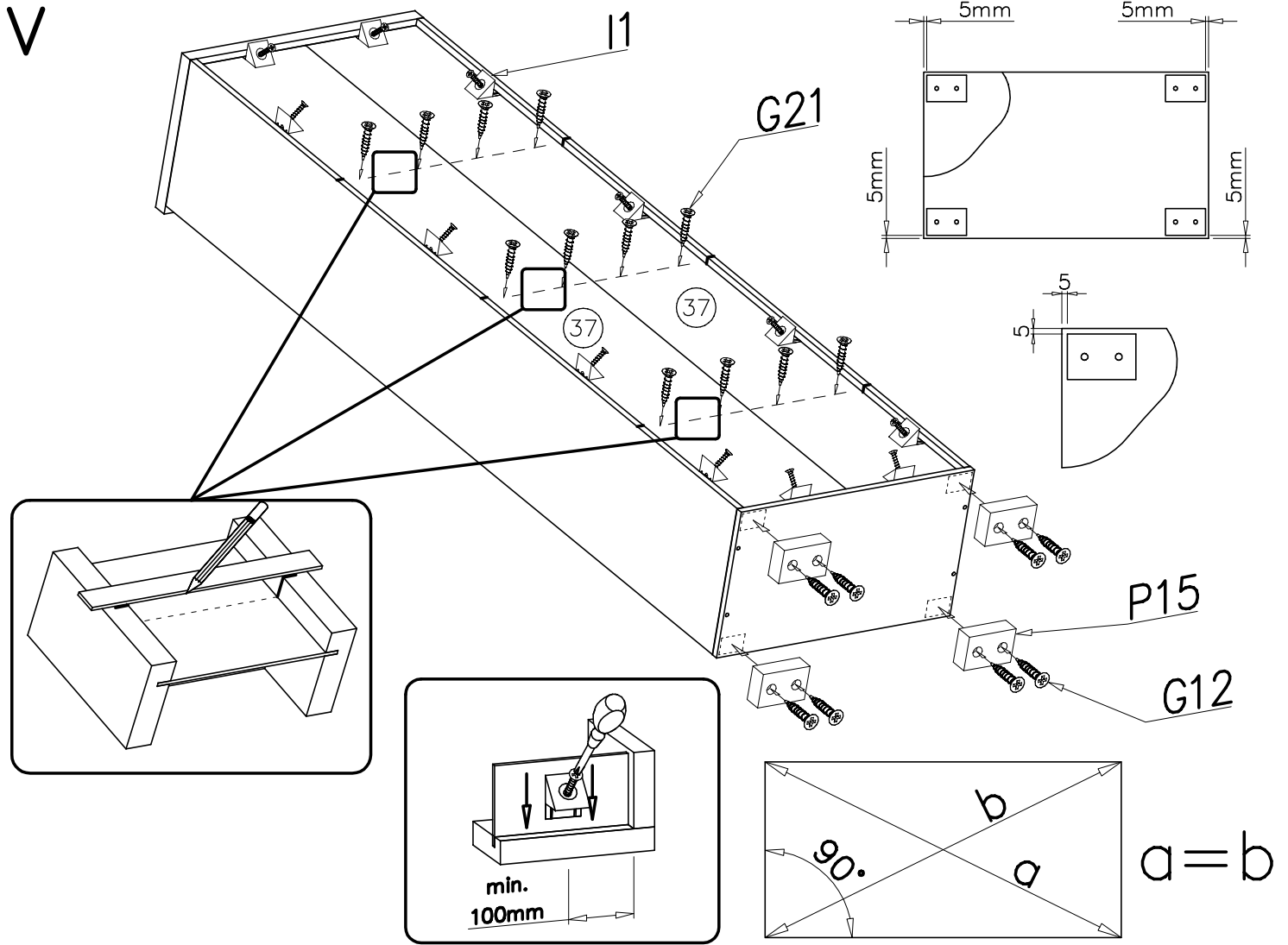
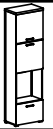


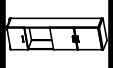
III



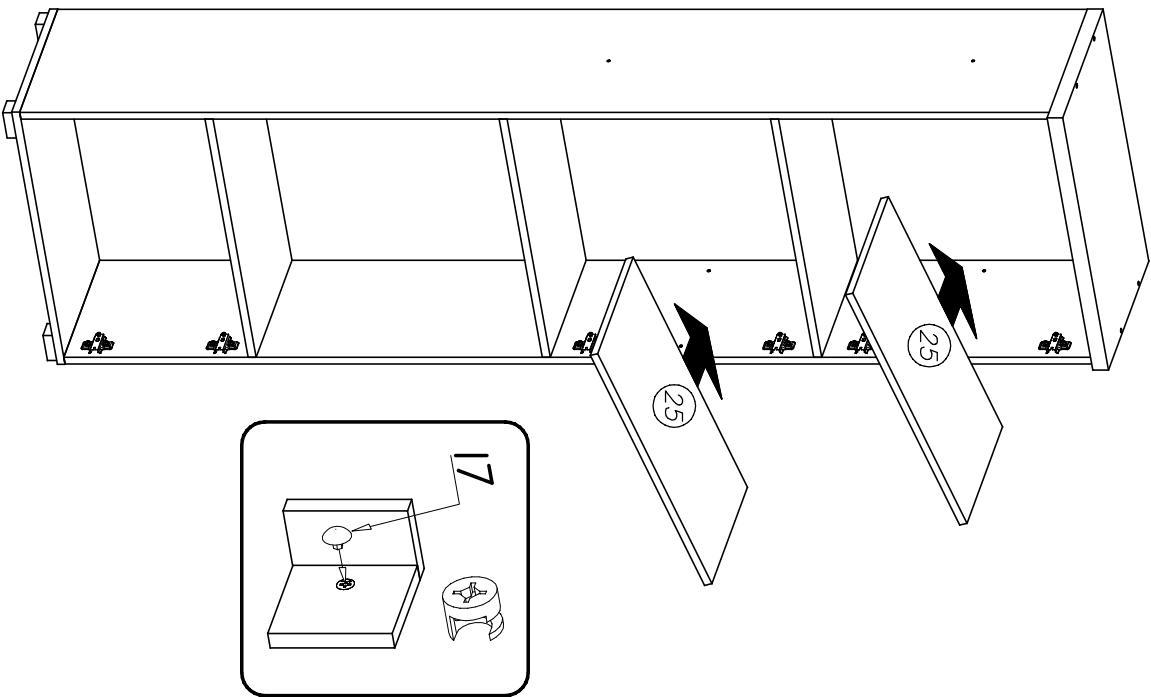
IV



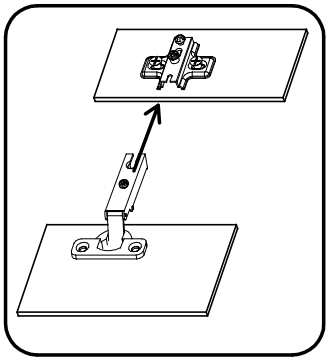
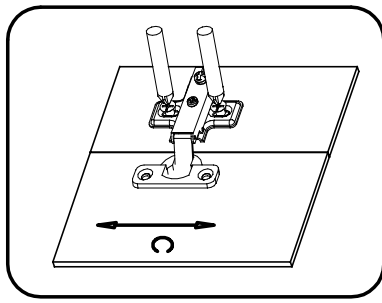
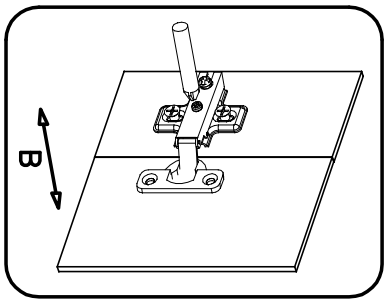
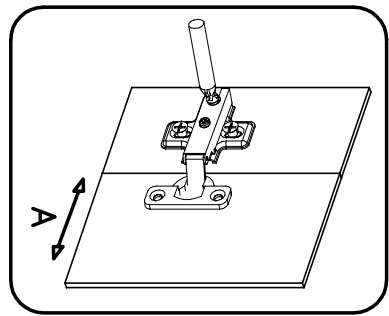
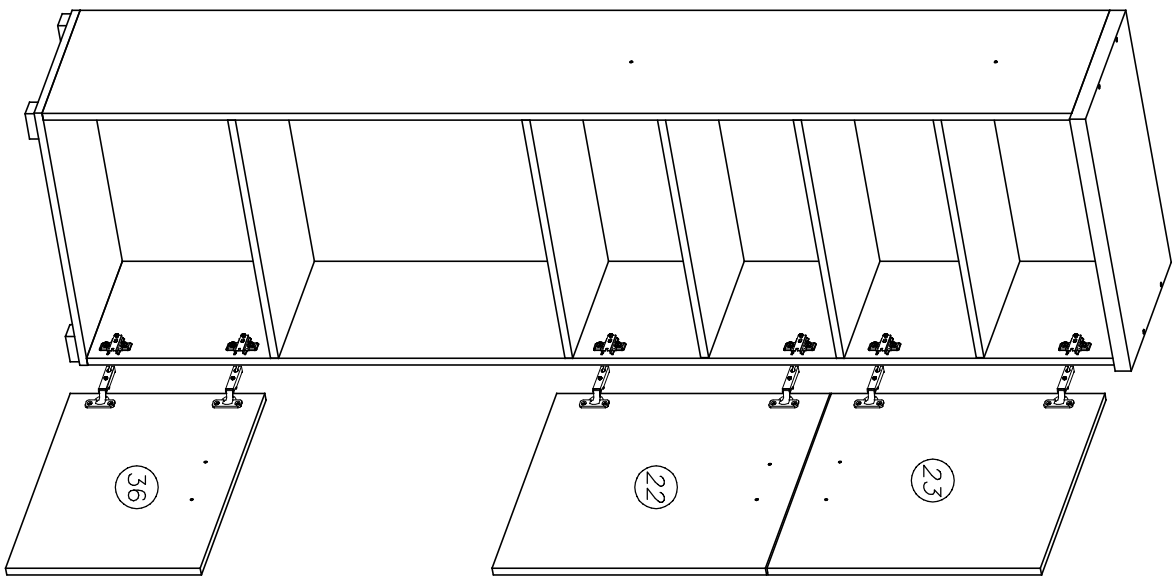




VII

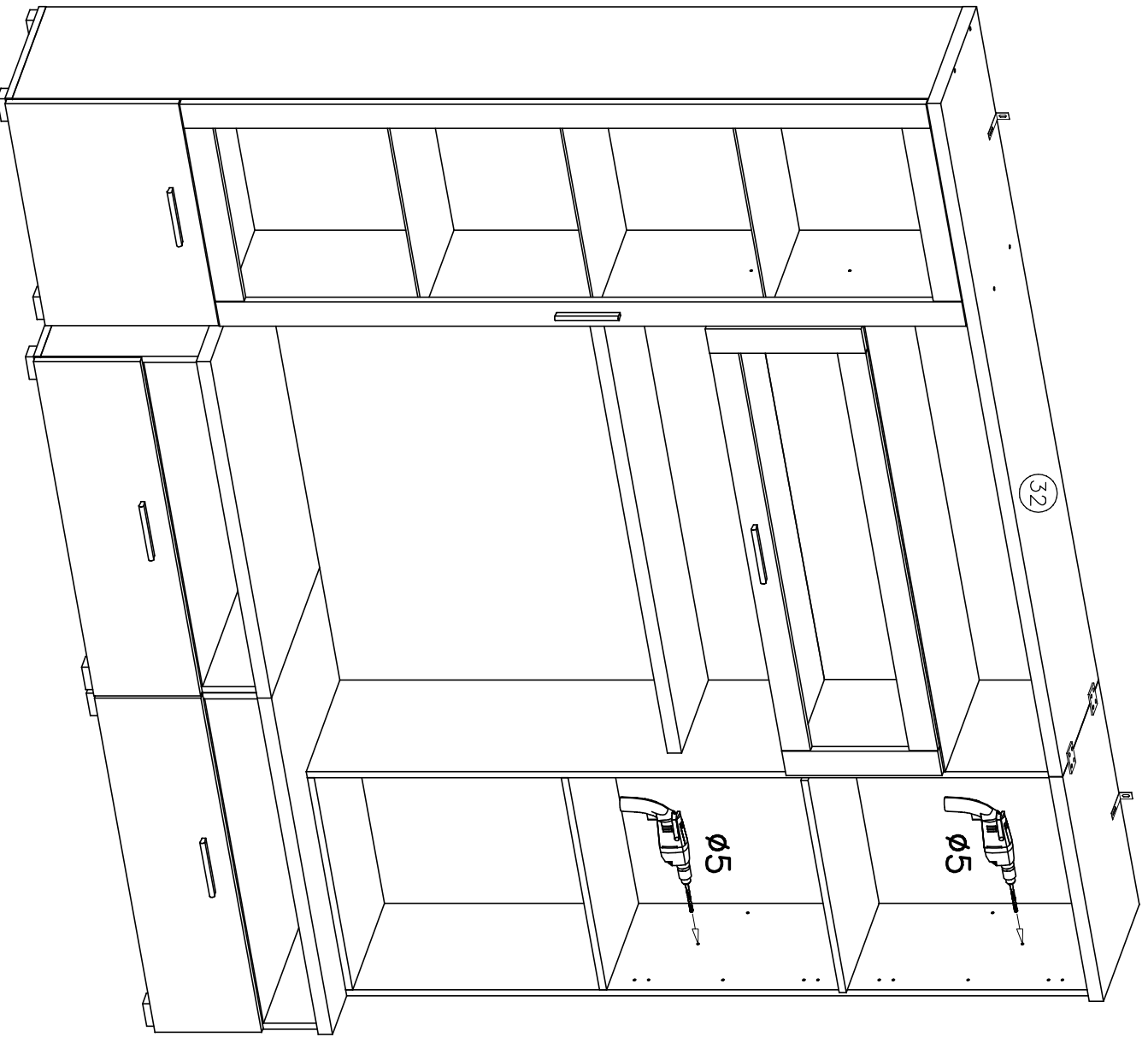


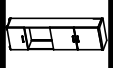
VIII





IX





IX

