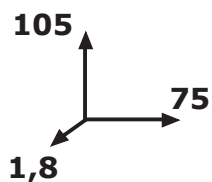
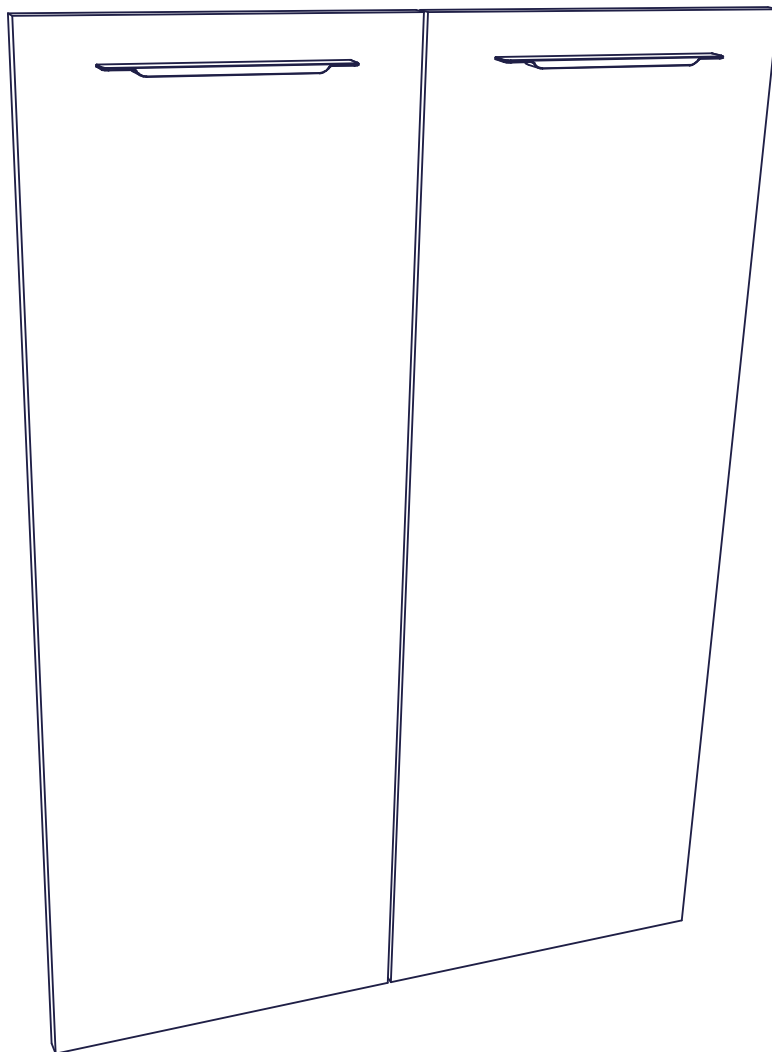
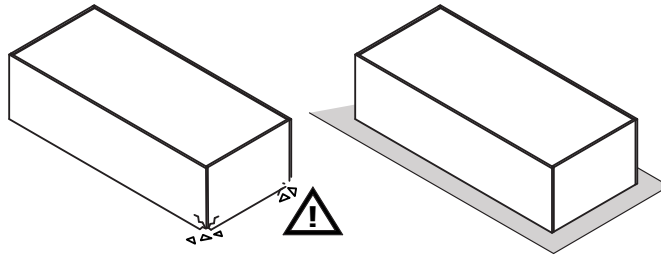
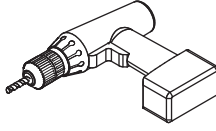
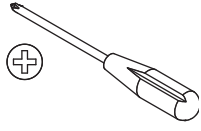
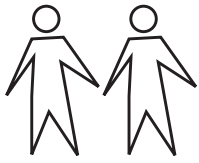


AN4803K30404



QF3545

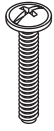


BU2941

BU2927



H113
x4



V137
x4

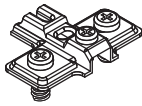


G31
x4

BU0319 x2



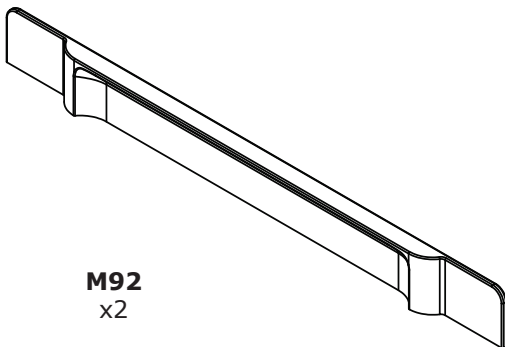
C39
x2



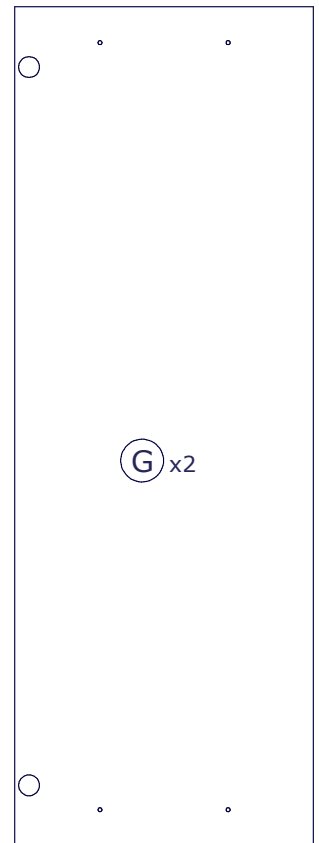
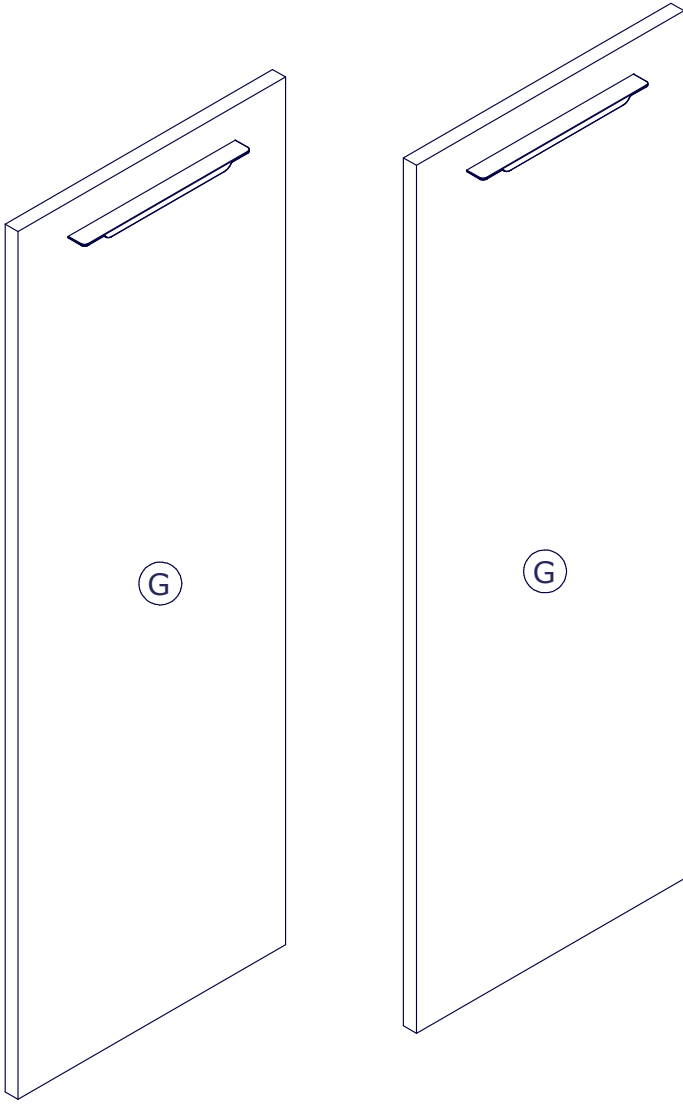
B9
x2



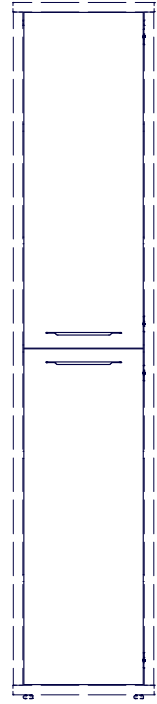
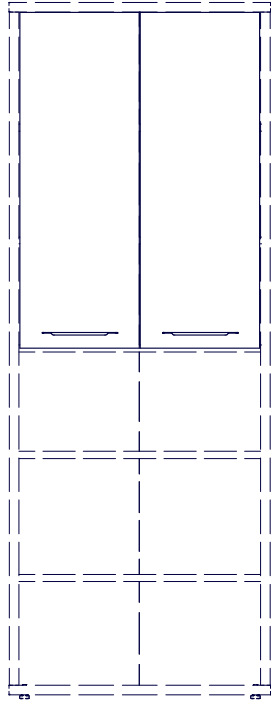
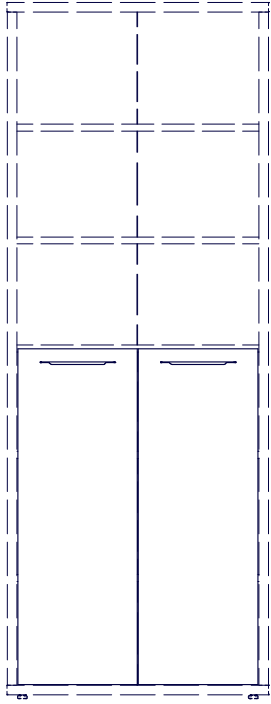
V5
x4



M92
x2



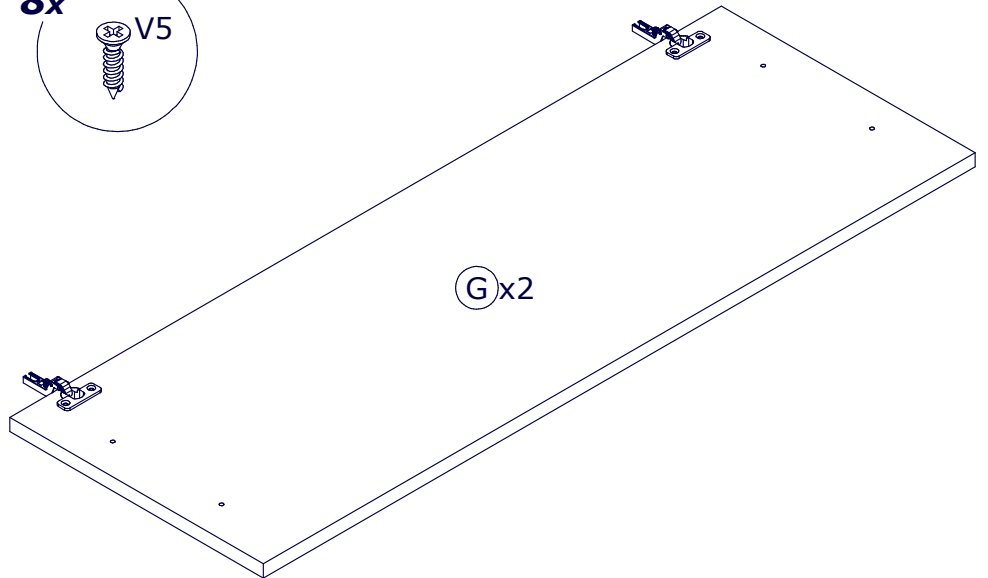
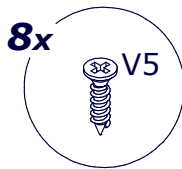
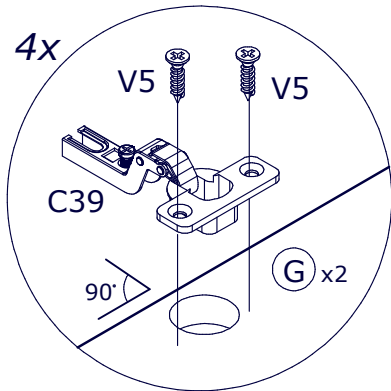
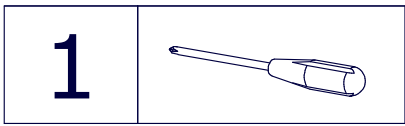
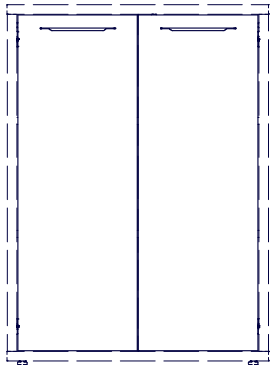
• AN2049
1047x373x18mm



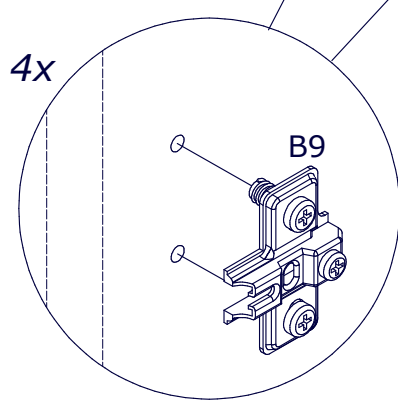
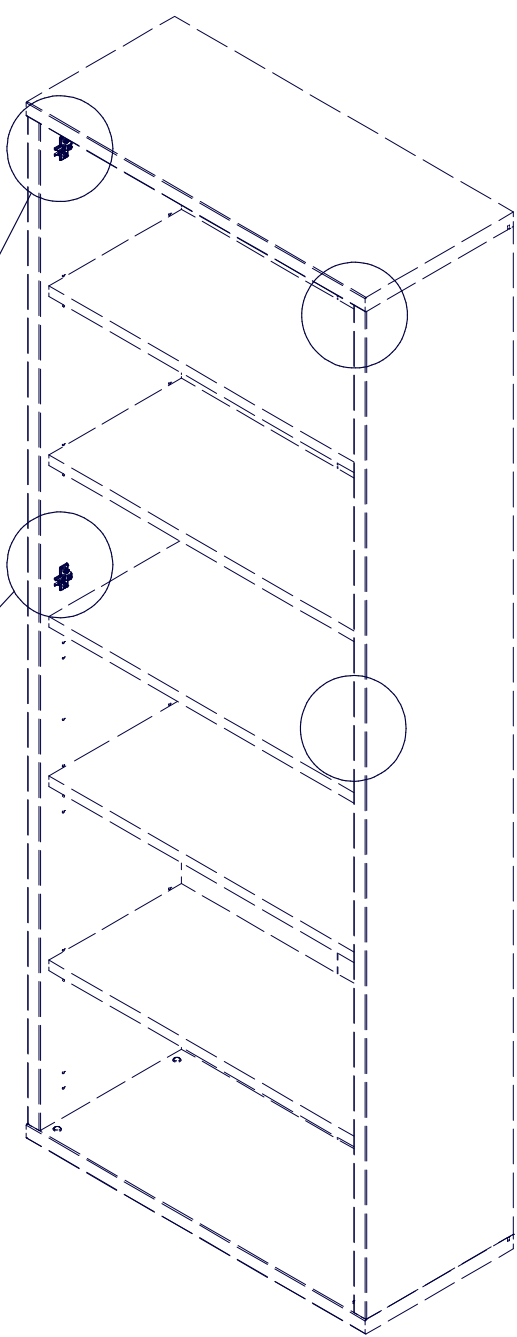
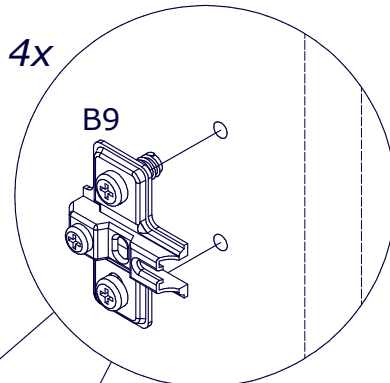
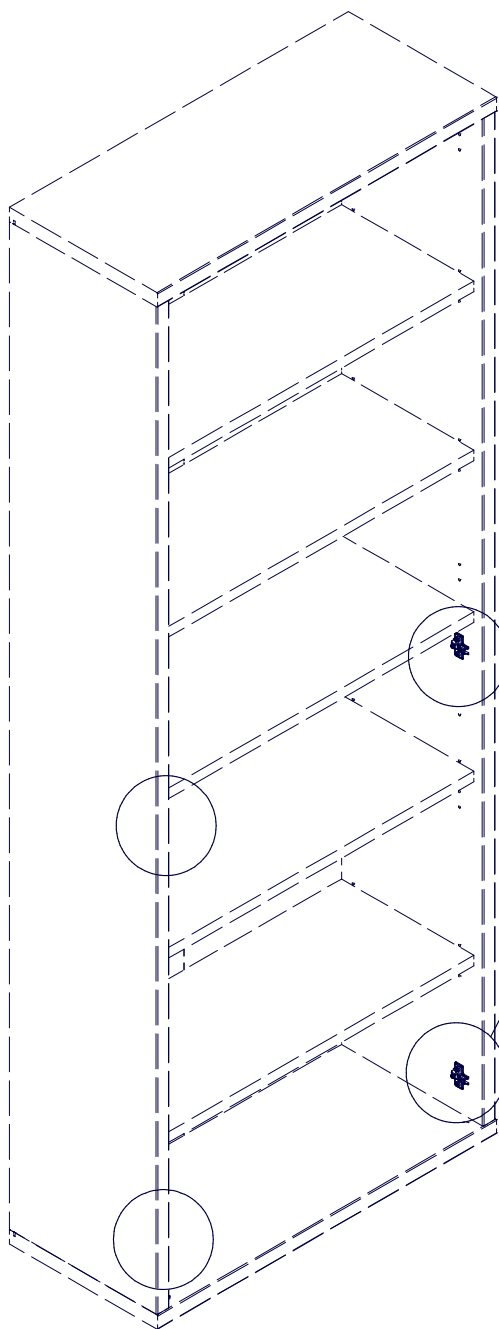
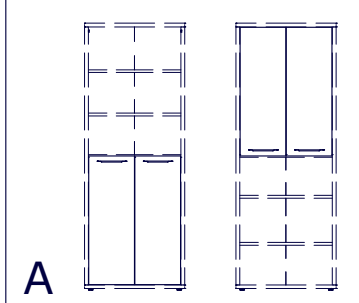
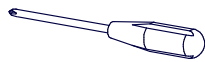
A

B

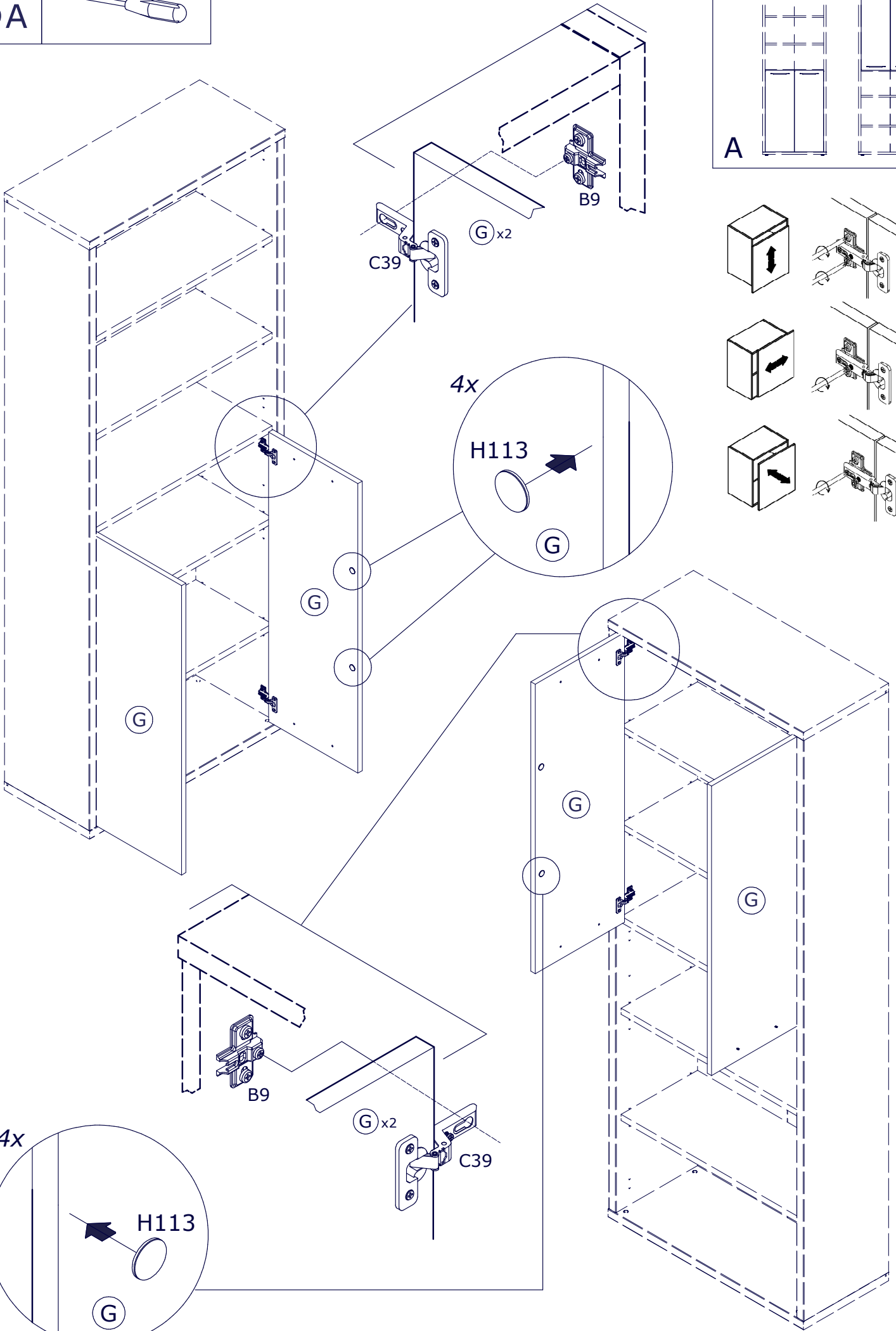
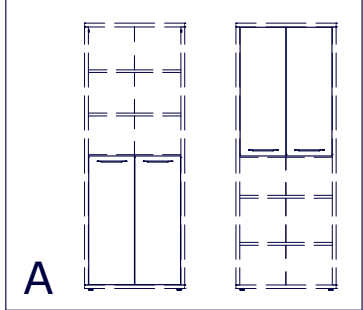
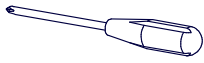
C



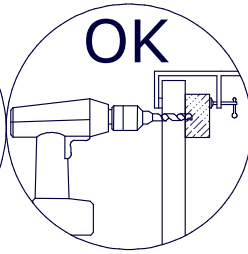
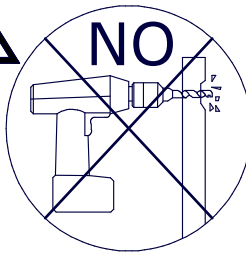
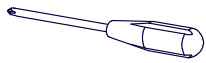
2A



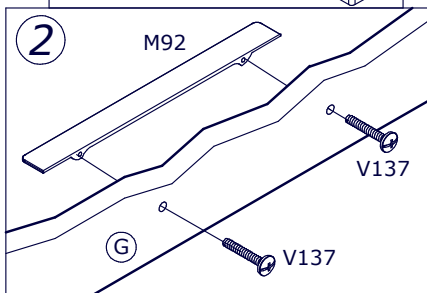
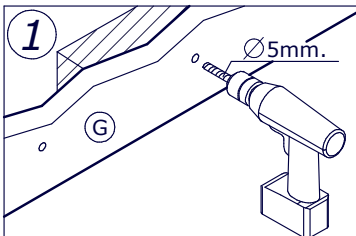
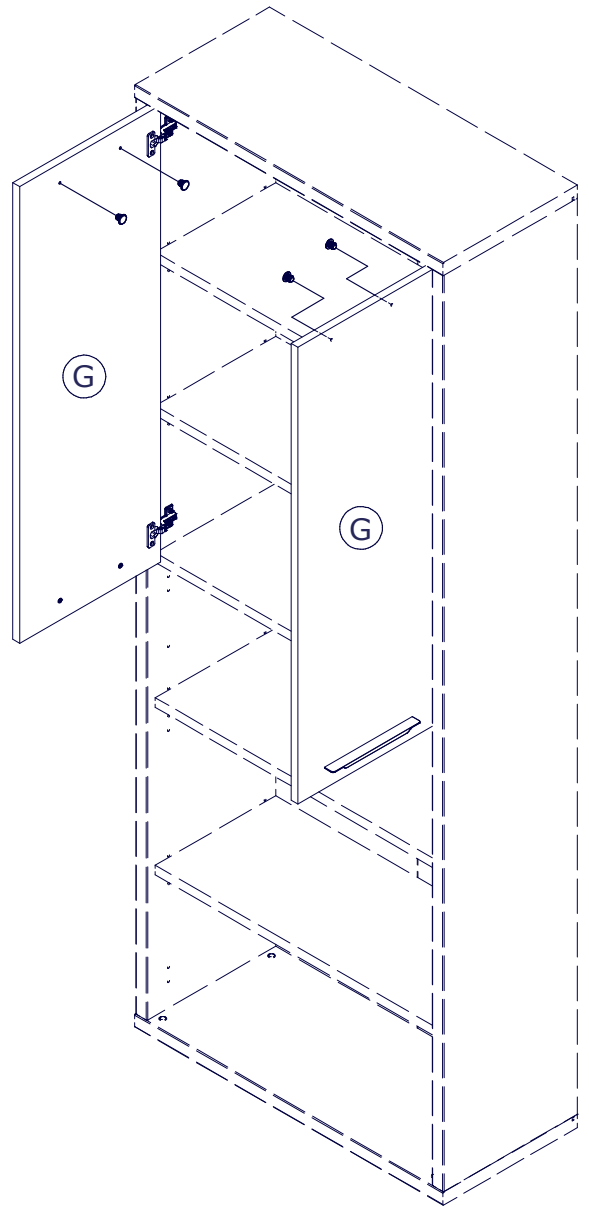
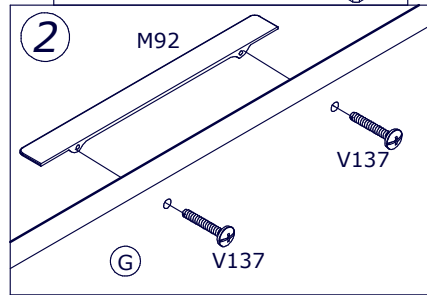
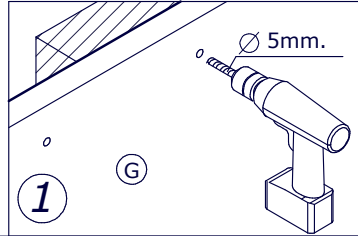
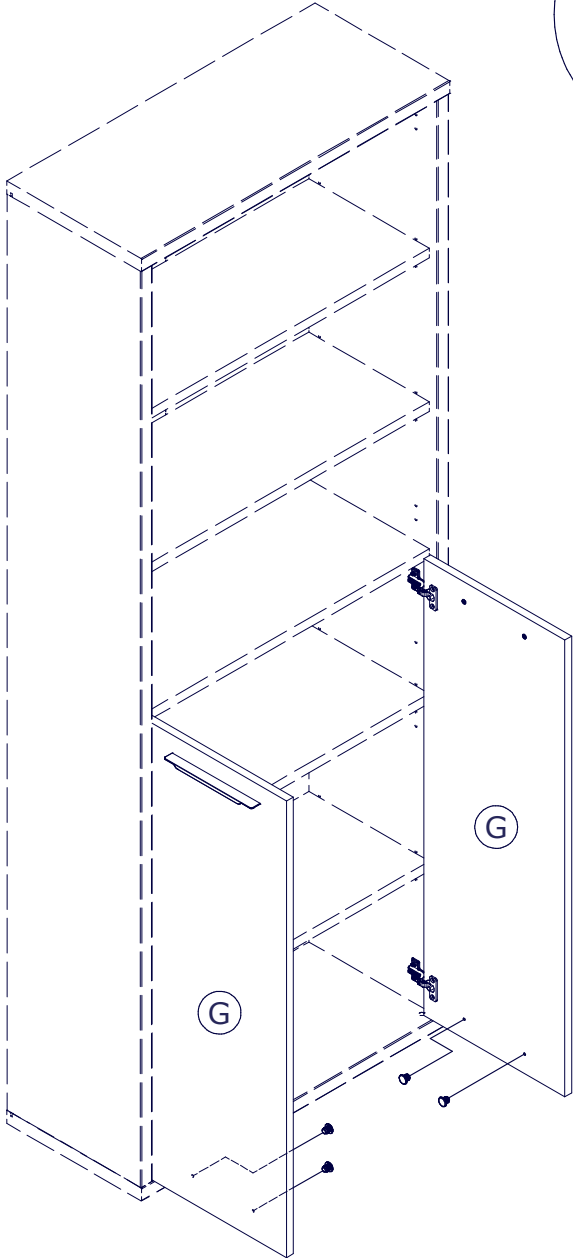
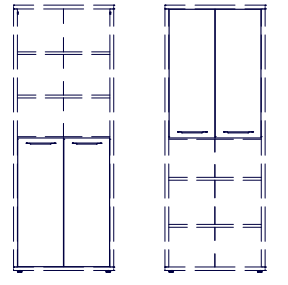
3A



4A



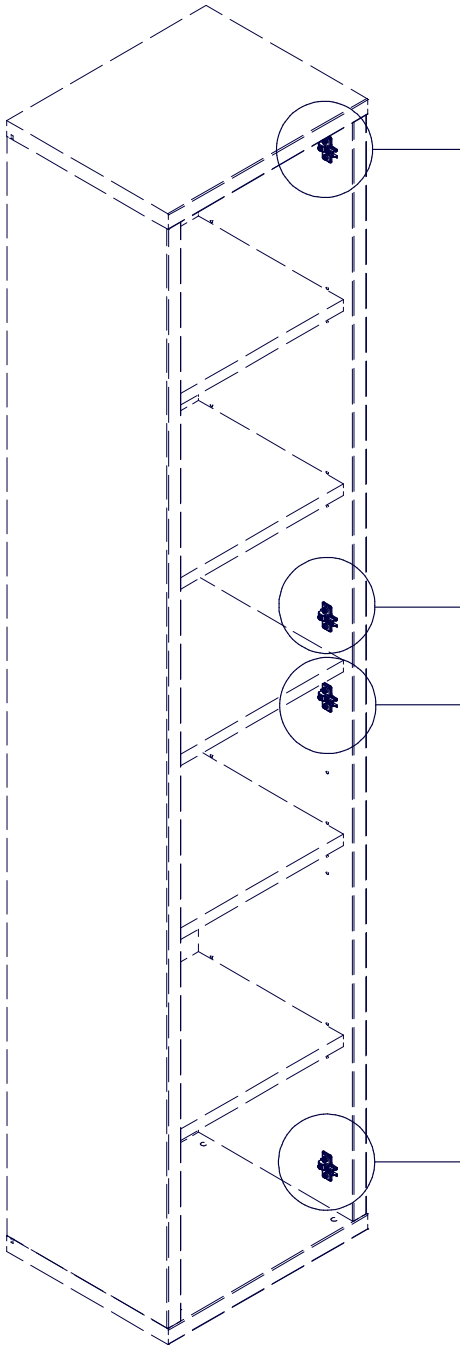
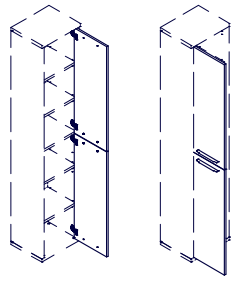
A



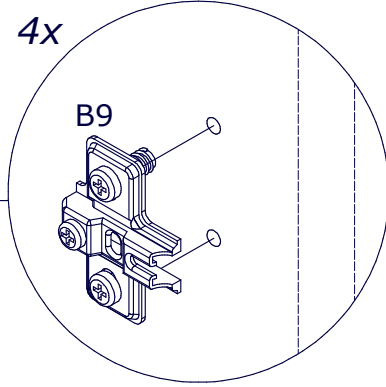
2B



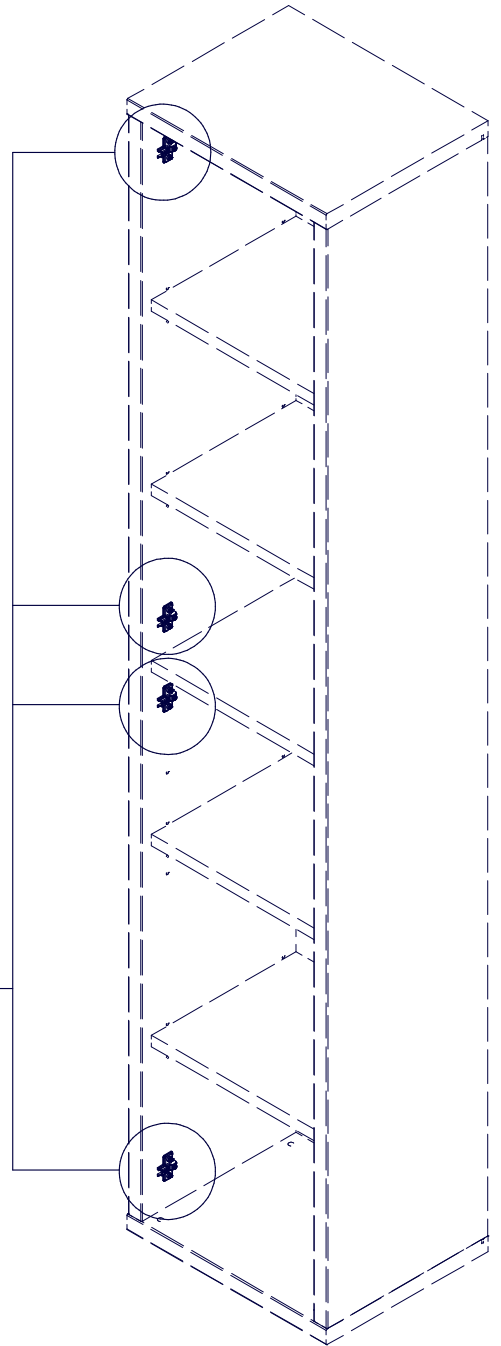
B



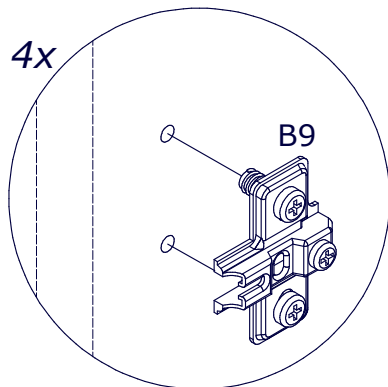
4x



B9

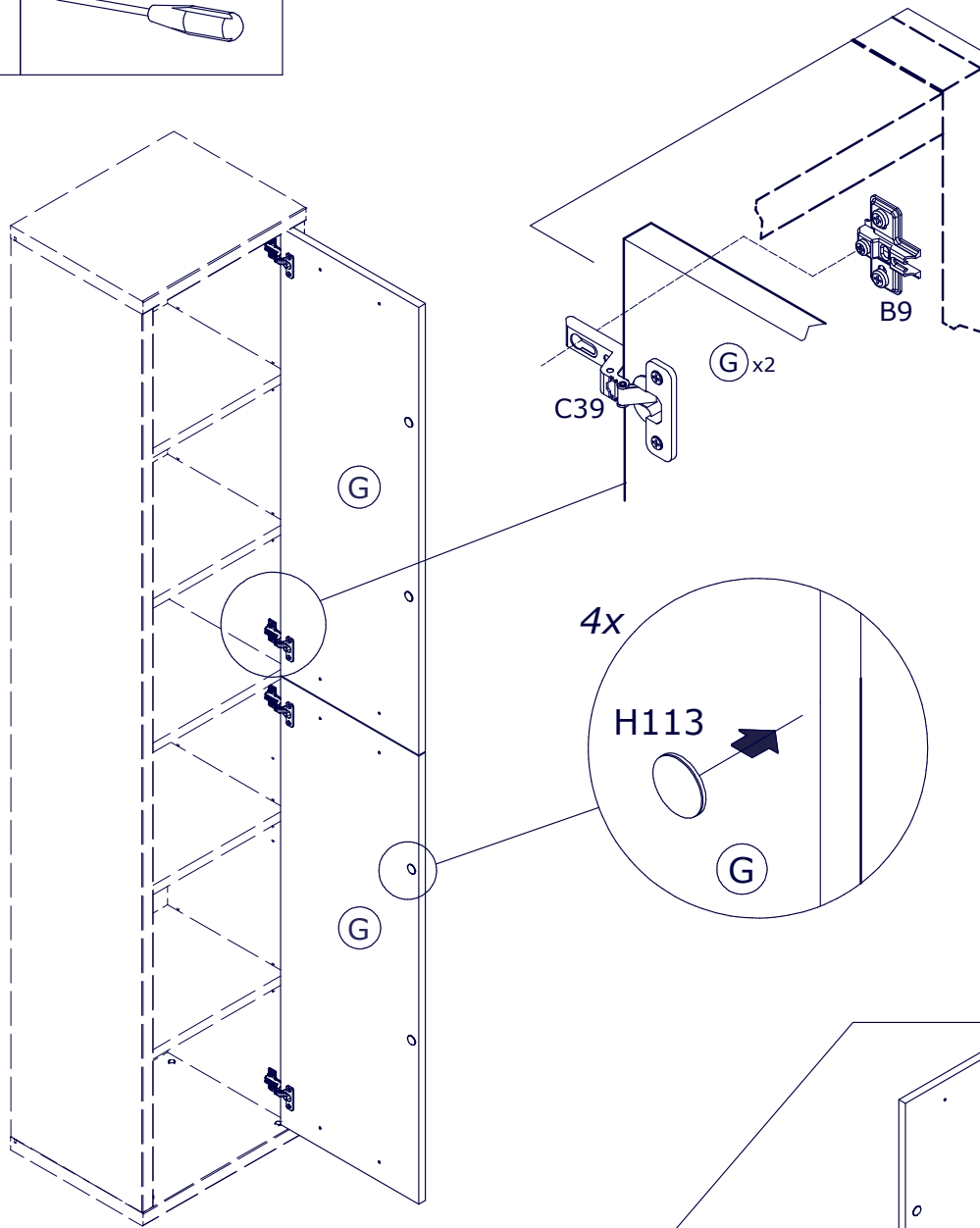


4x

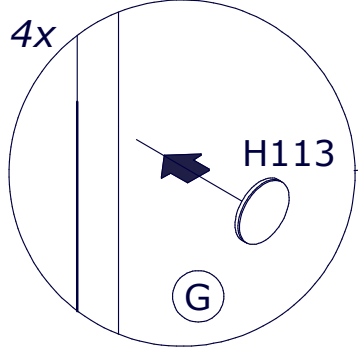
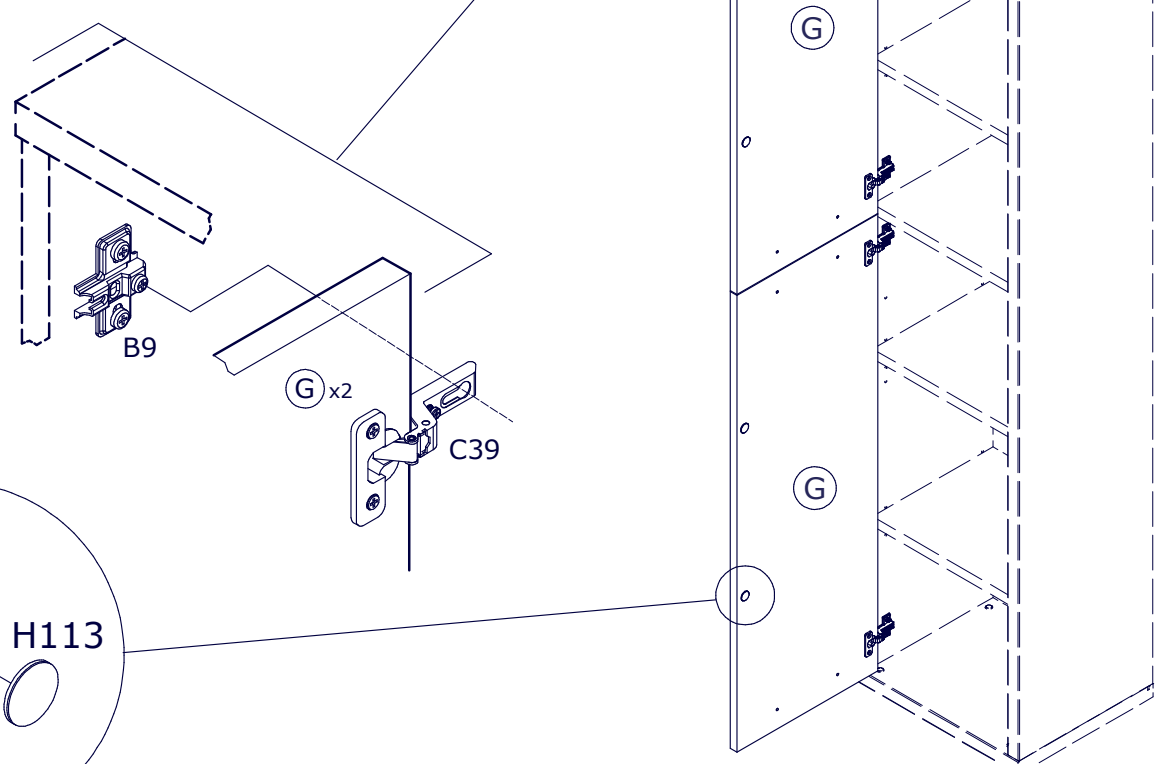
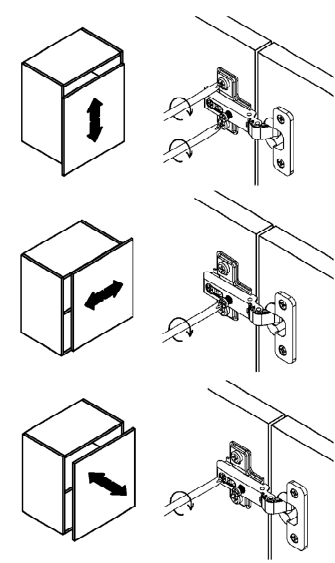


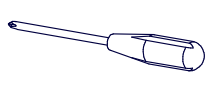
B9

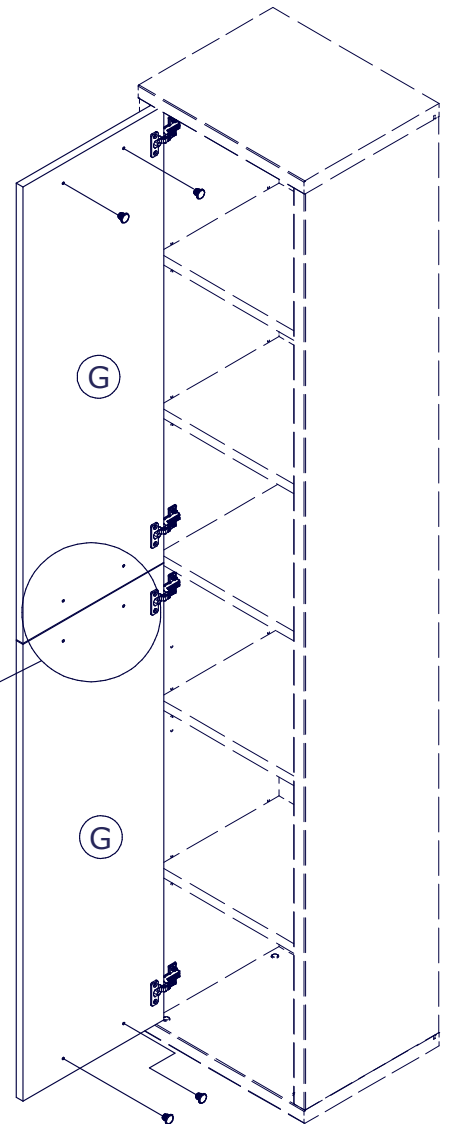
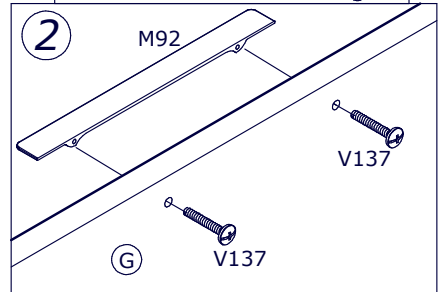
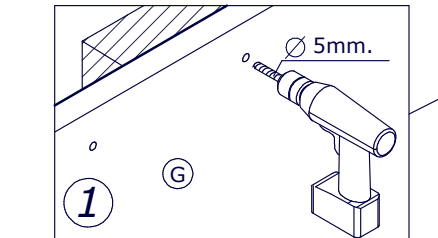
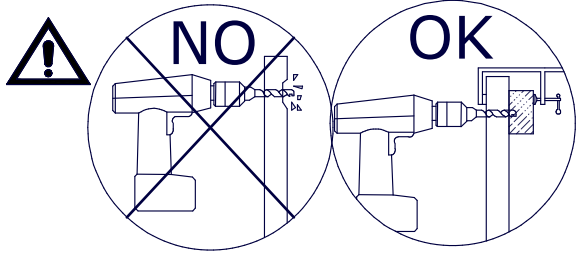
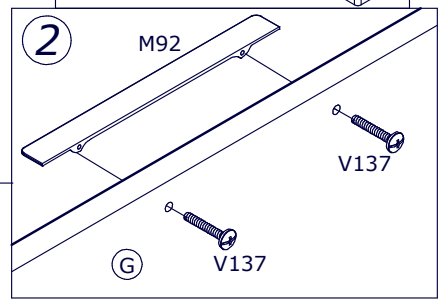
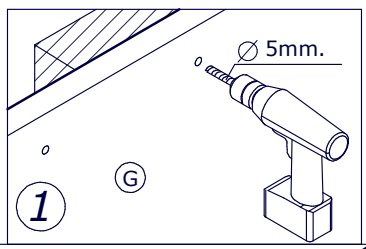
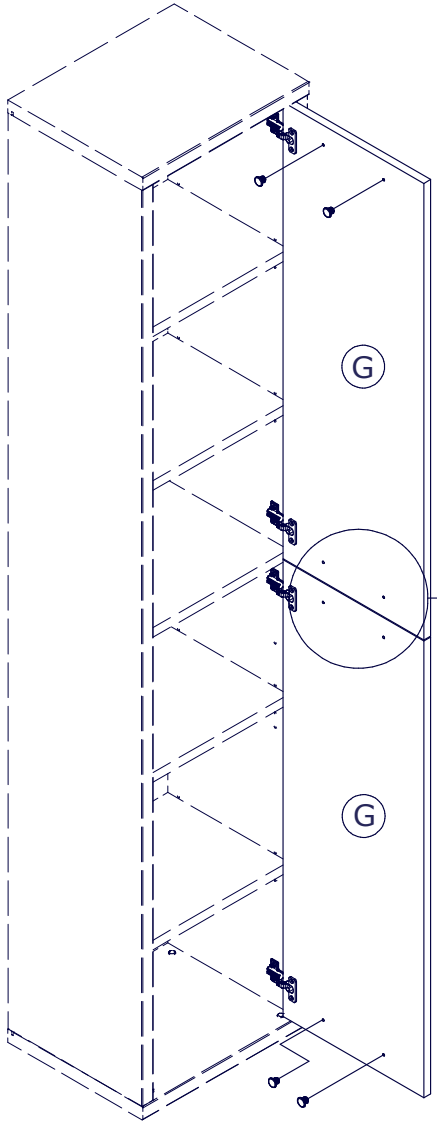
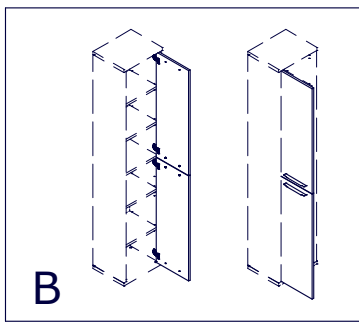
3B



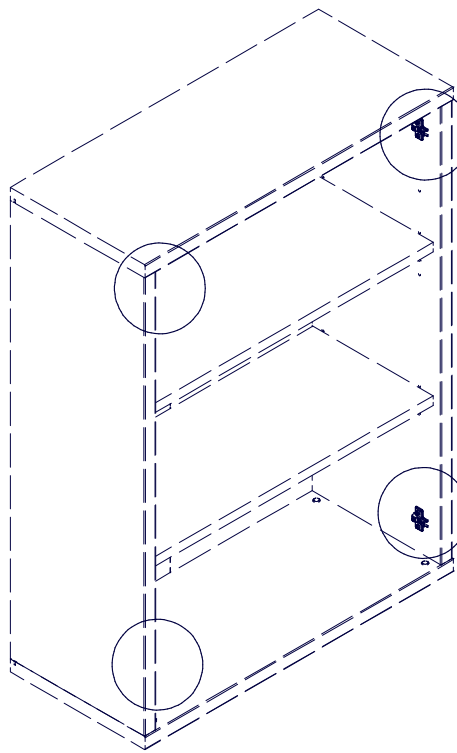
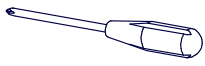
B



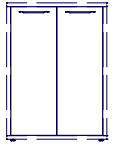
4B 



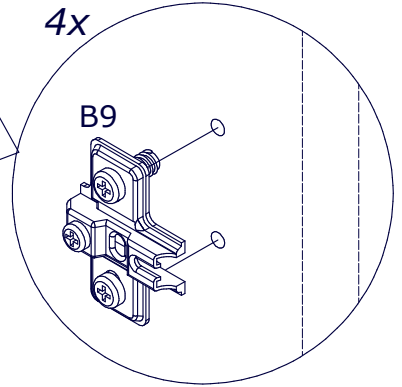
2c



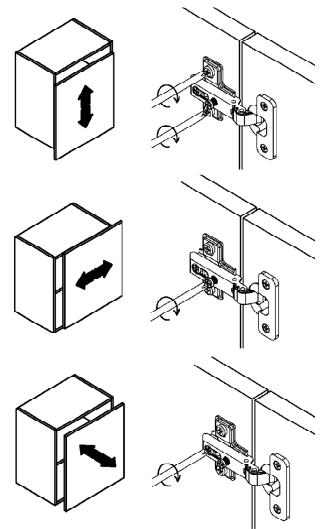
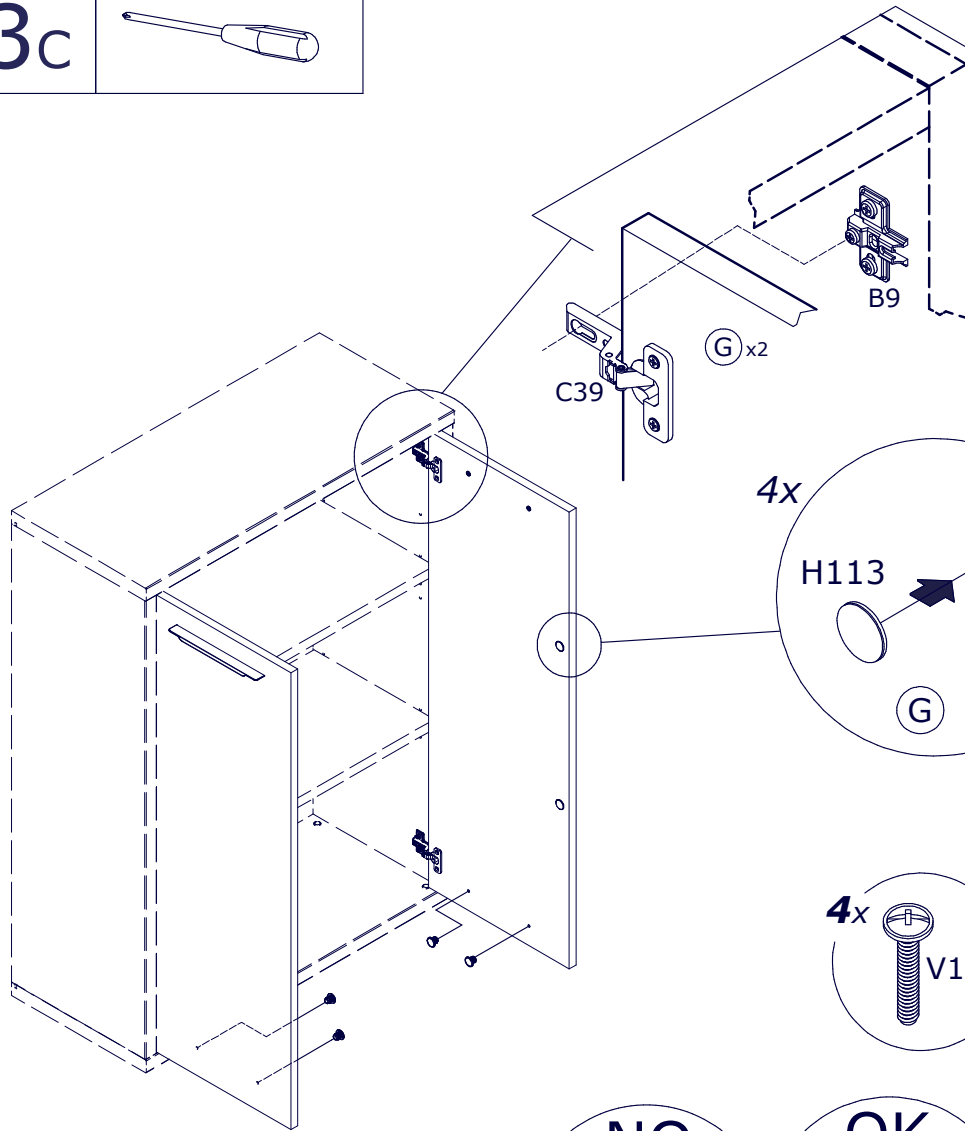
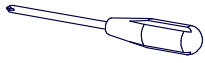
C



4x



3c



4x

