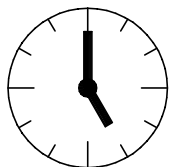
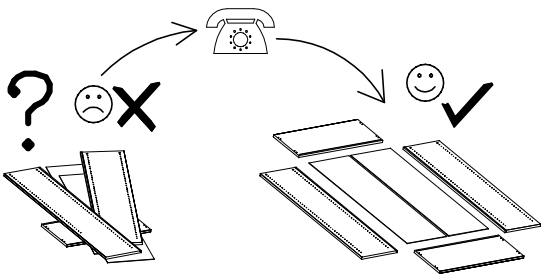
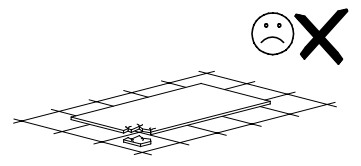
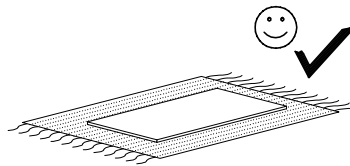
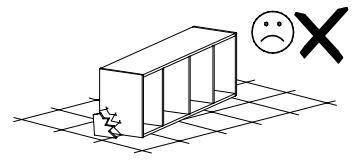
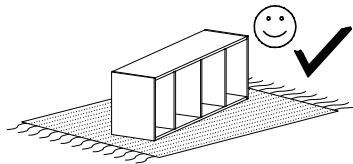
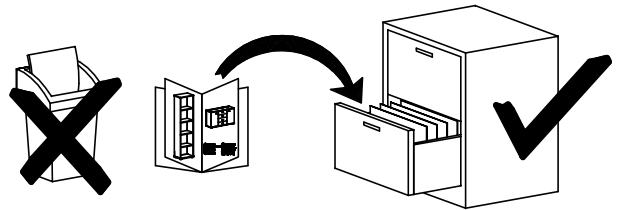
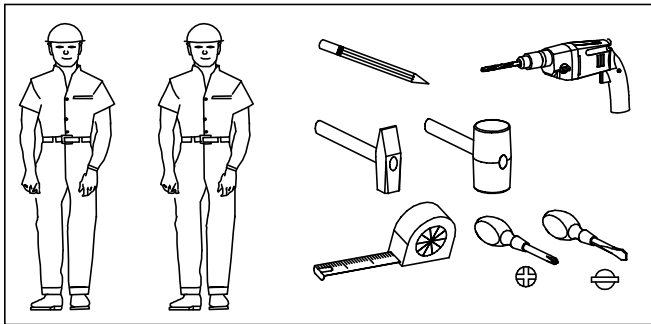
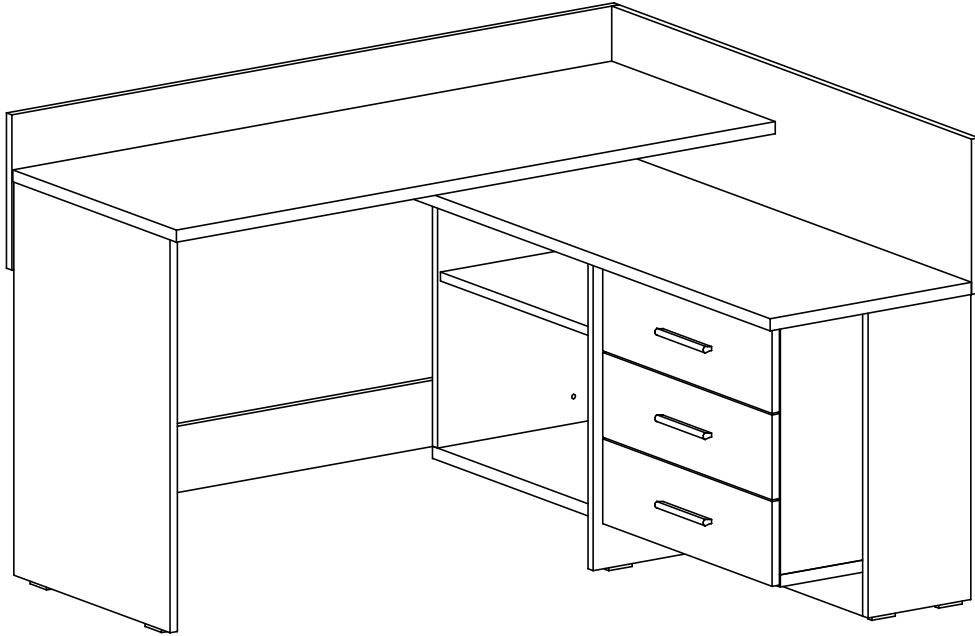
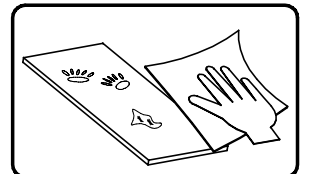
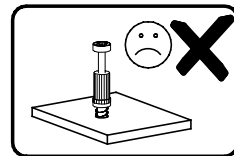
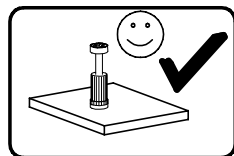
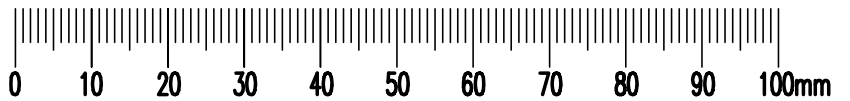
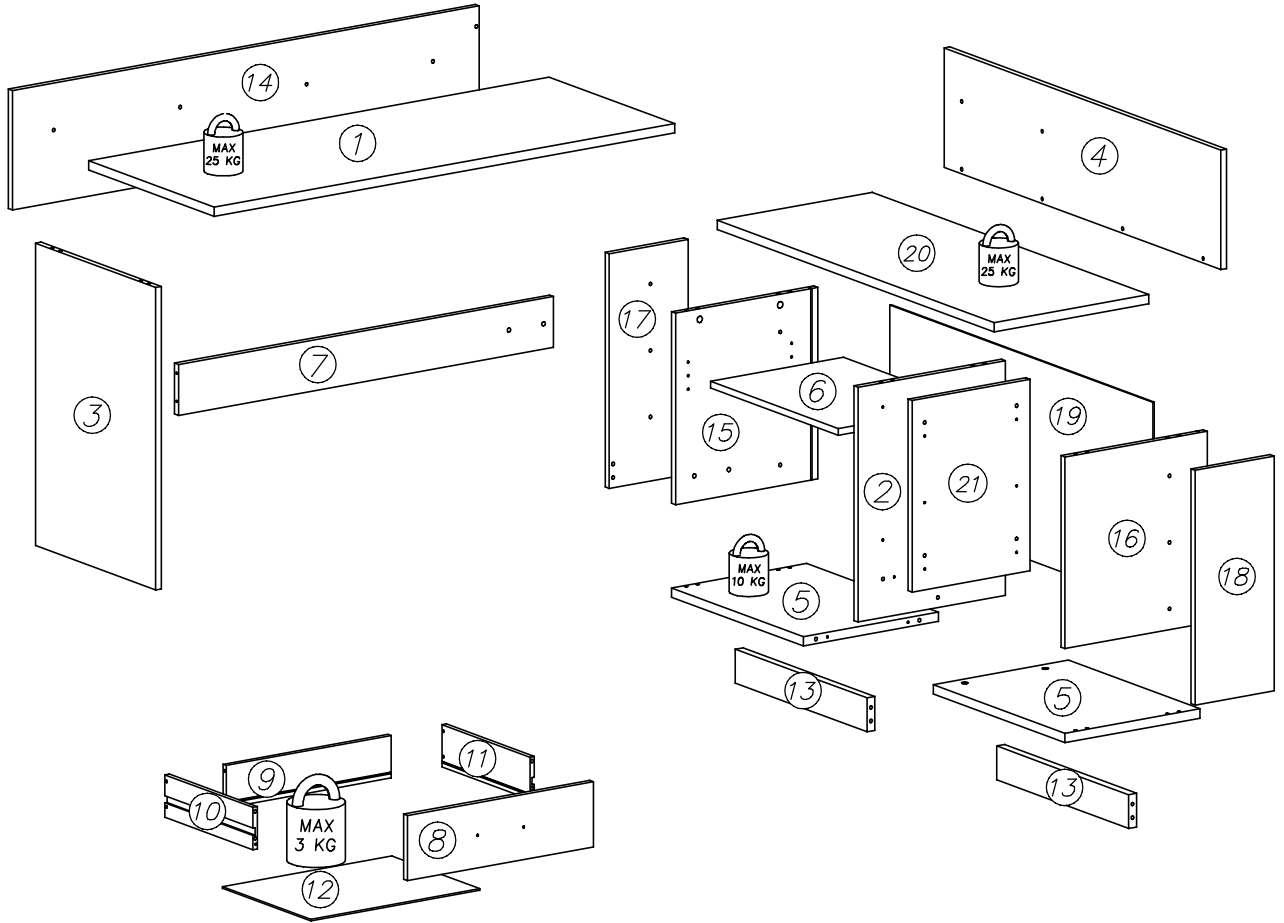
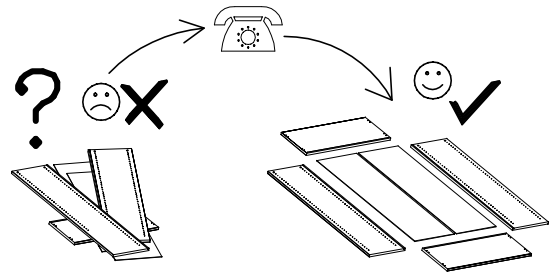
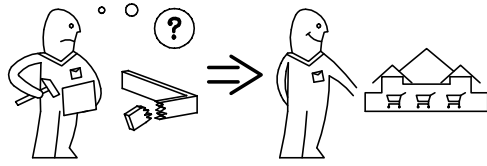
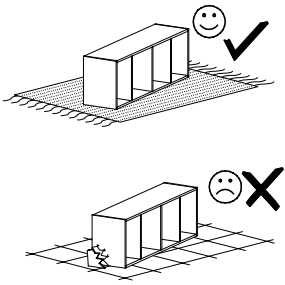



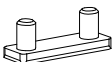


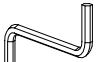




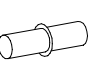


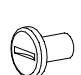



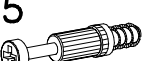

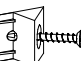


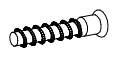
BERGAMO

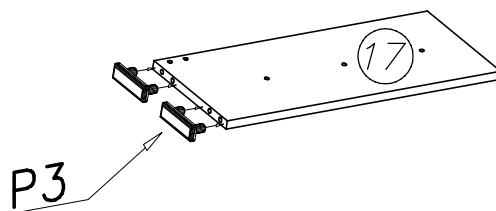
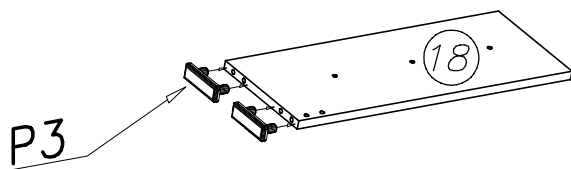
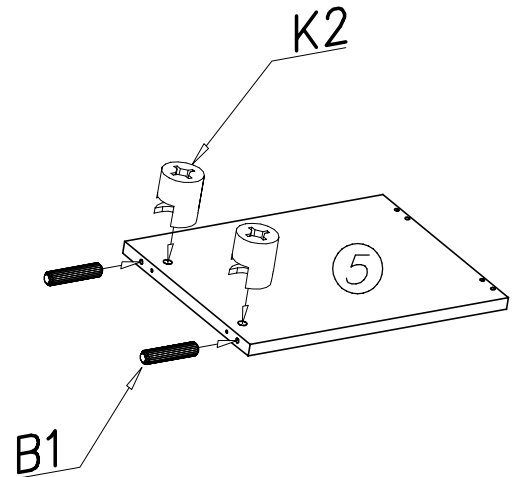
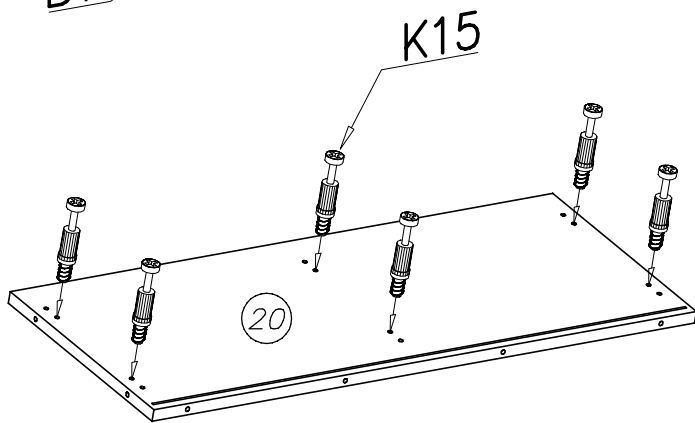
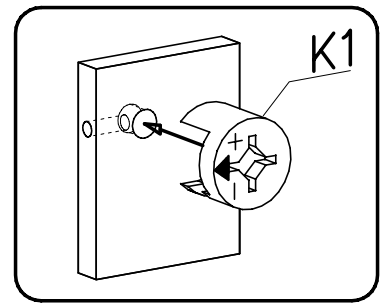
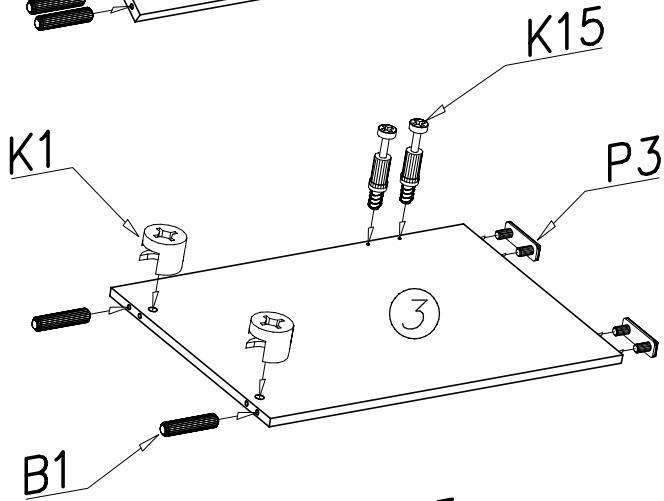
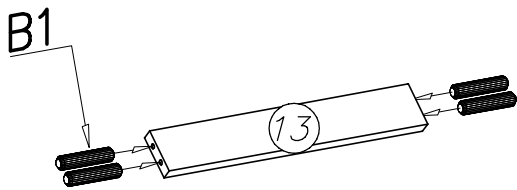
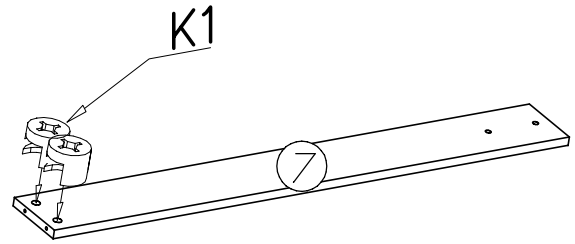
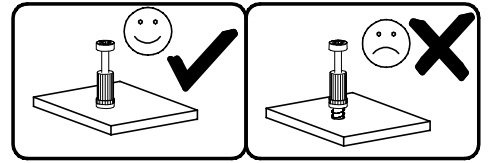
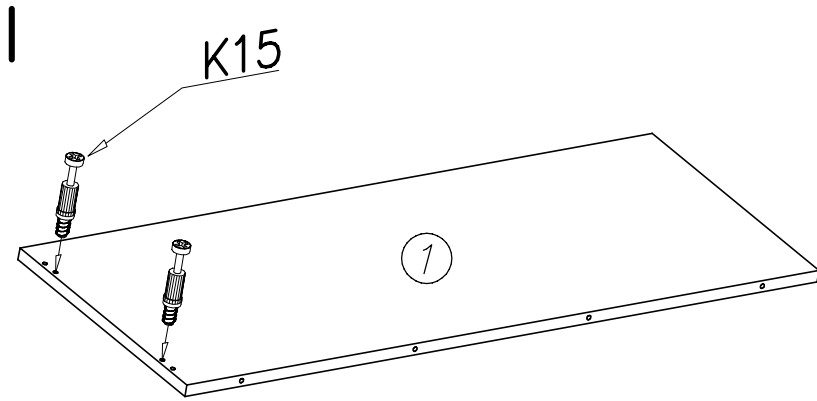
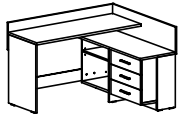


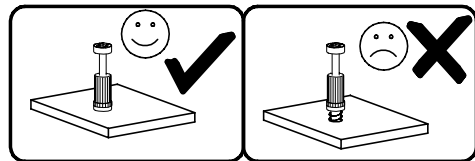
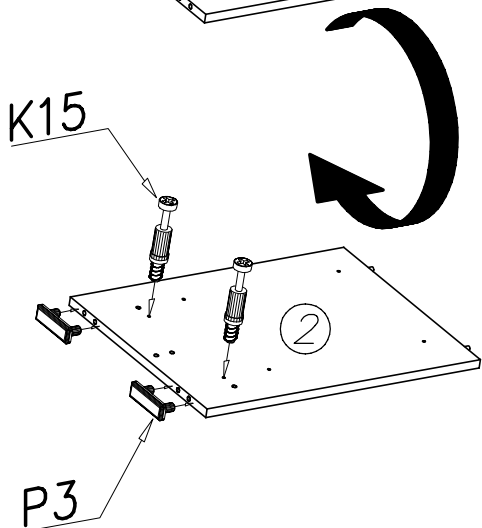
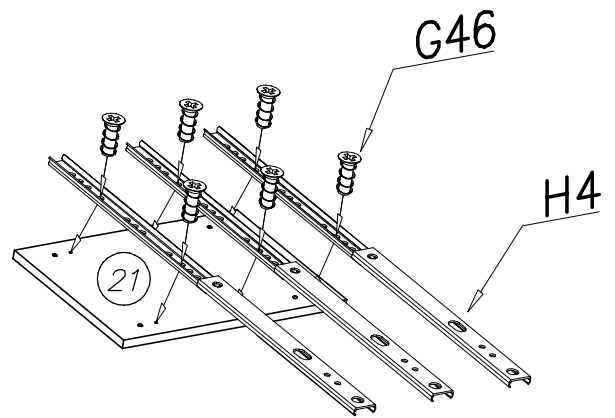
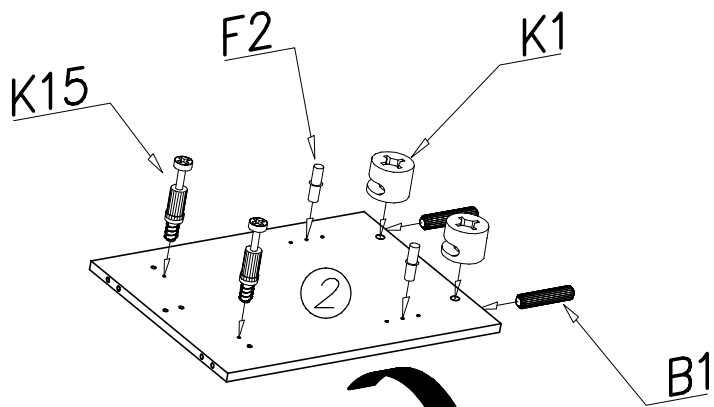
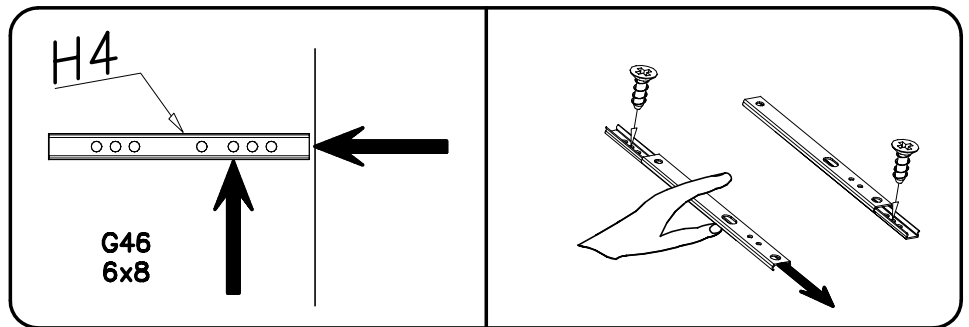
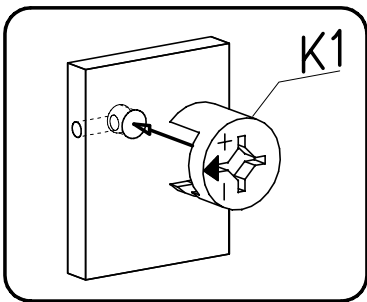
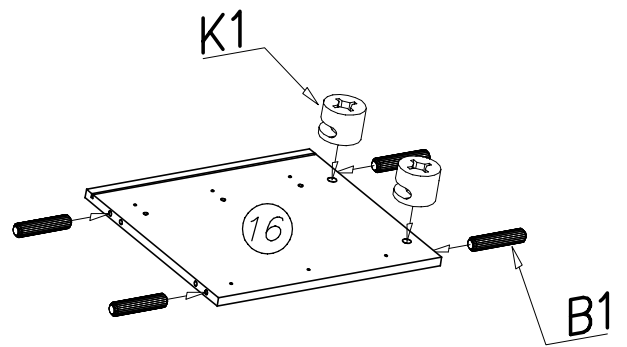
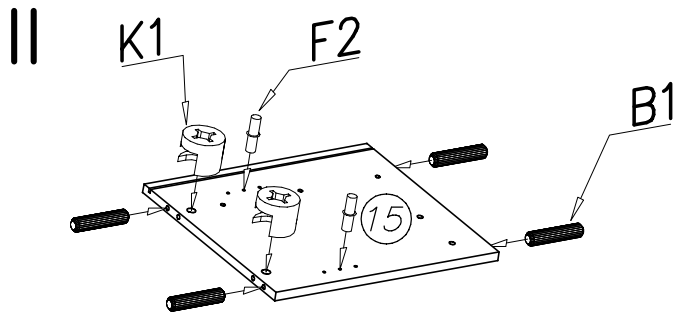
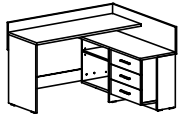
2h

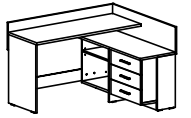




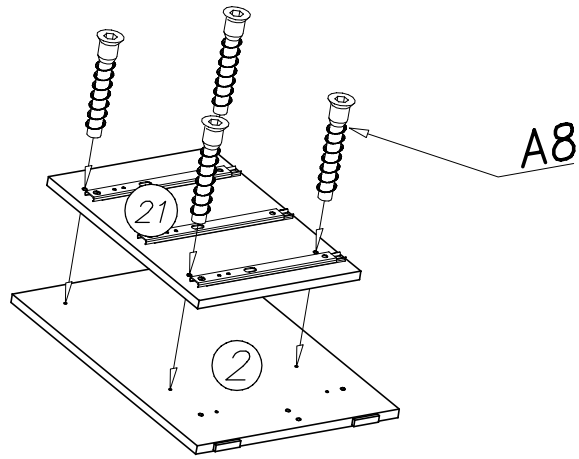
	I7  $\varnothing 18$ x...(14)	P3  x...(8)	A1  $\varnothing 7 \times 50$ x...(18)	A8  $\varnothing 7 \times 28$ x...(10)	W2  x...(1)
K2  $\varnothing 15 \times 16$ x...(4)	I9  $\varnothing 13$ x...(17)	H4  350mm x...(6)	G46  6x8 x...(12)	F2  x...(4)	
K1  $\varnothing 15 \times 12$ x...(10)	G8  4x30 x...(6)	N2  x...(4)	N3  $\varnothing 6 \times 28$ x...(2)	G2  3x20 x...(24)	W1  x...(2)
K15  x...(14)	B1  $\varnothing 8 \times 35$ x...(24)	I1  x...(8)	E1  128mm x...(3)	N1  M4x9 x...(6)	A6  $\varnothing 7 \times 40$ x...(12)



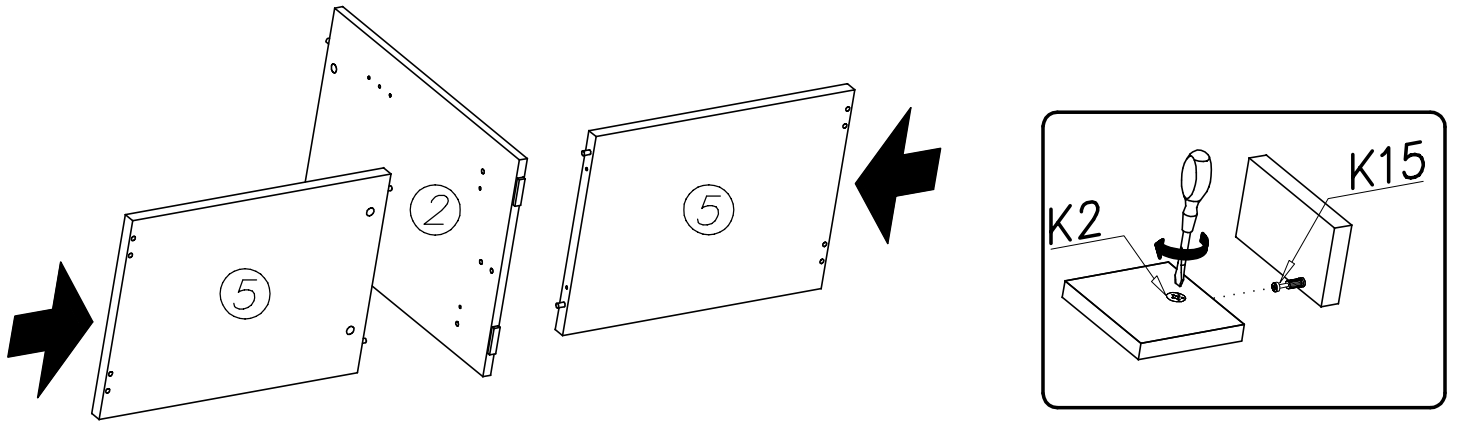




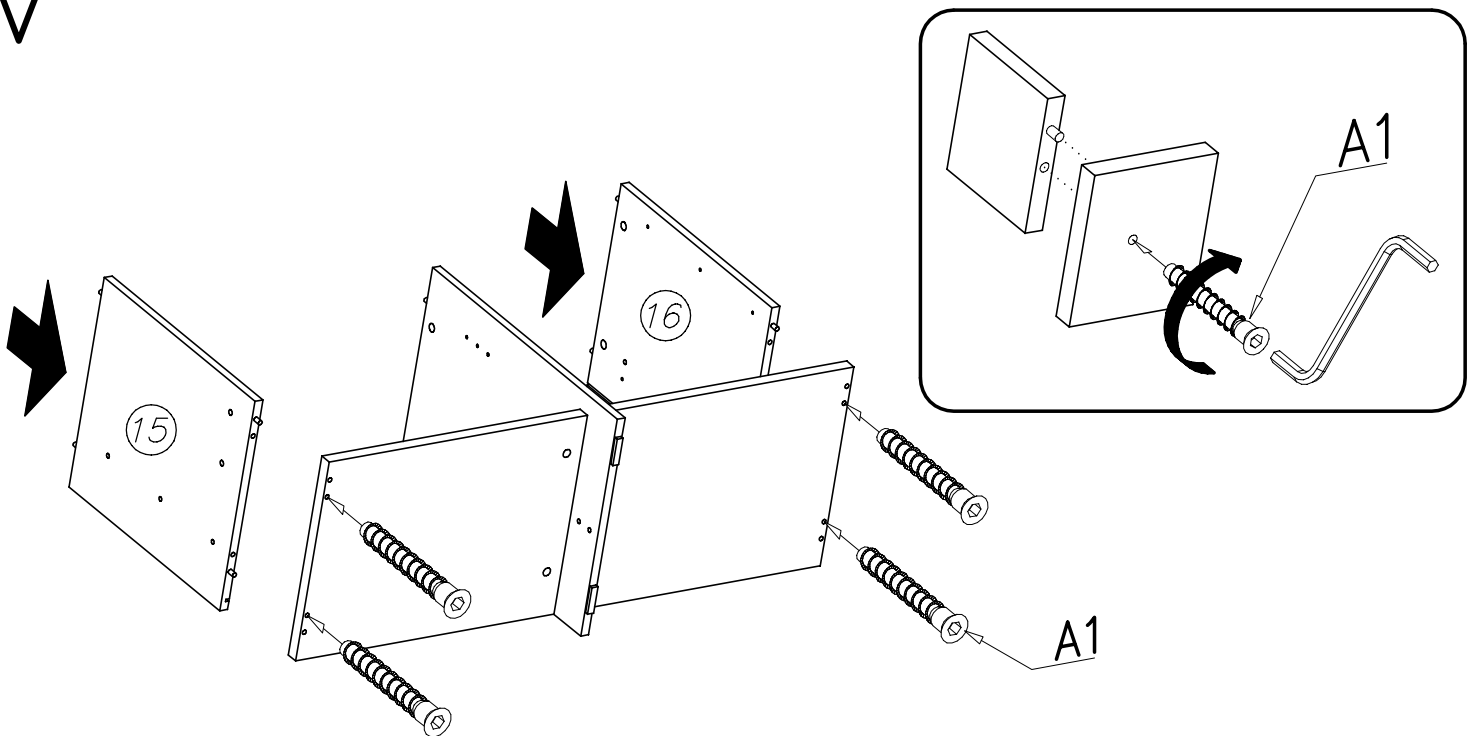
III

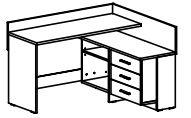


IV

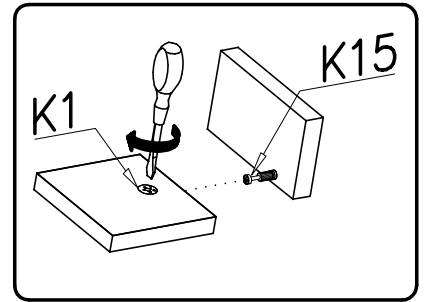
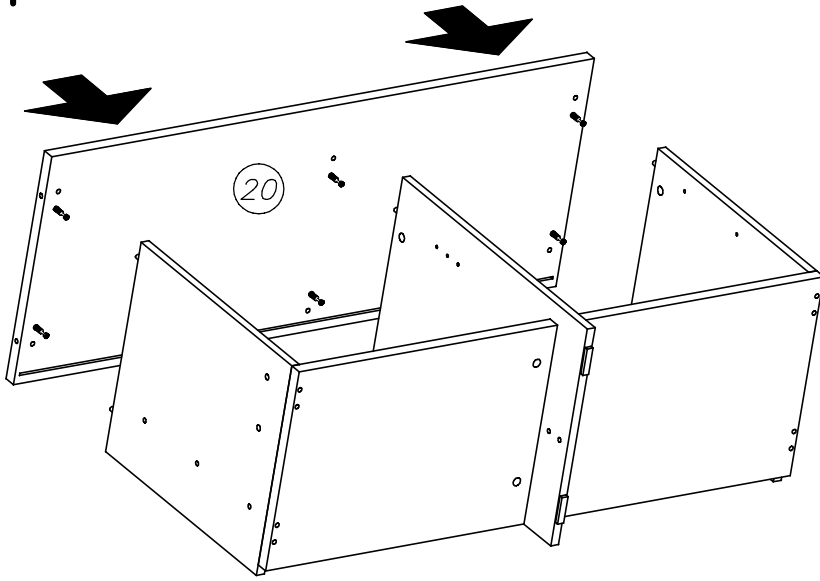


V

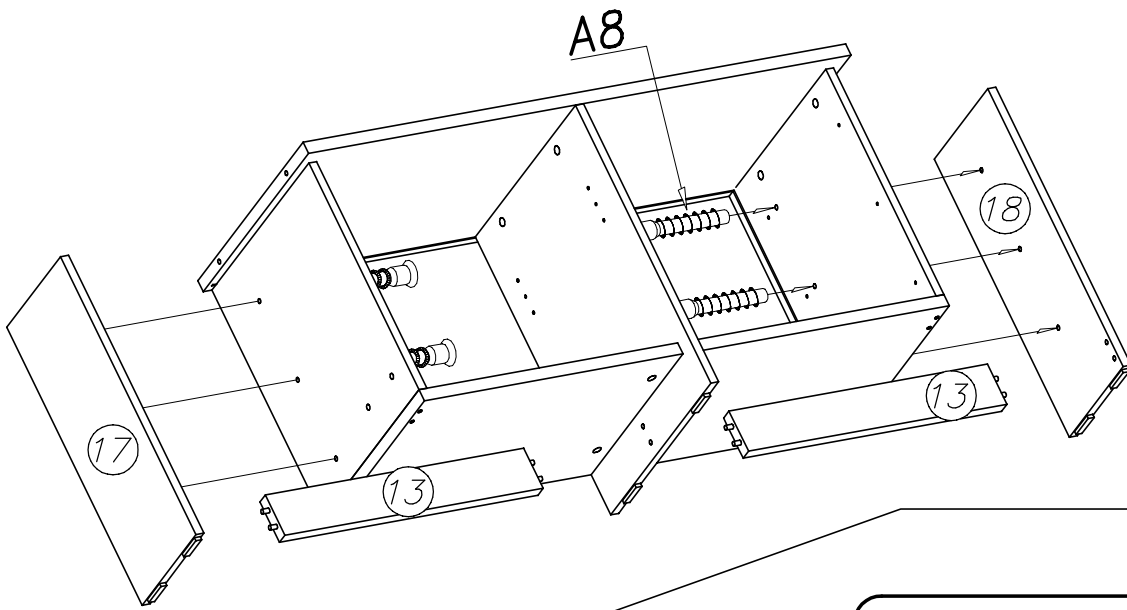




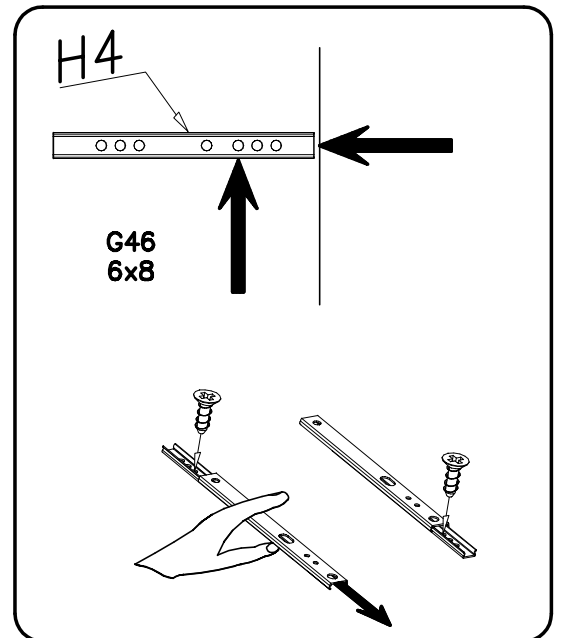
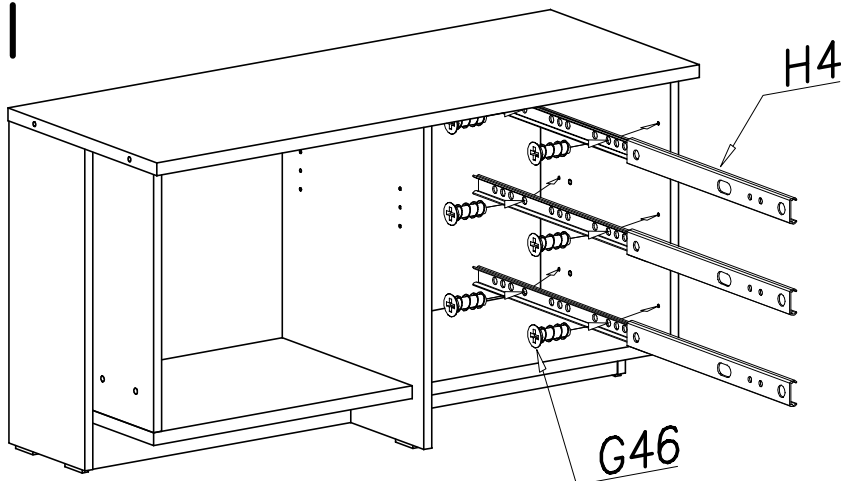
VI

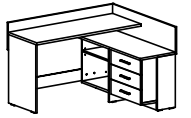


VII

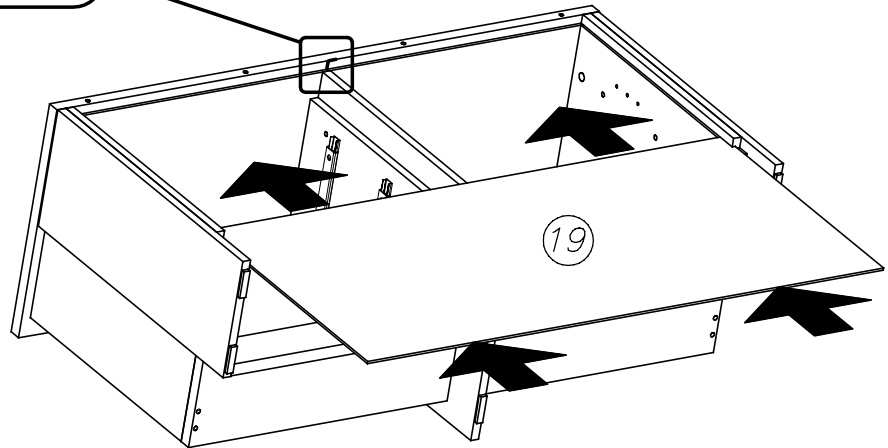
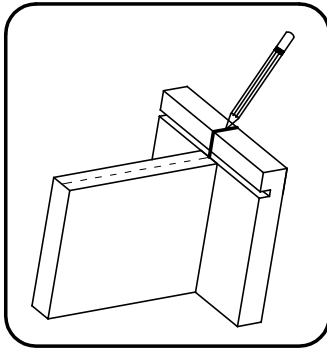


VIII

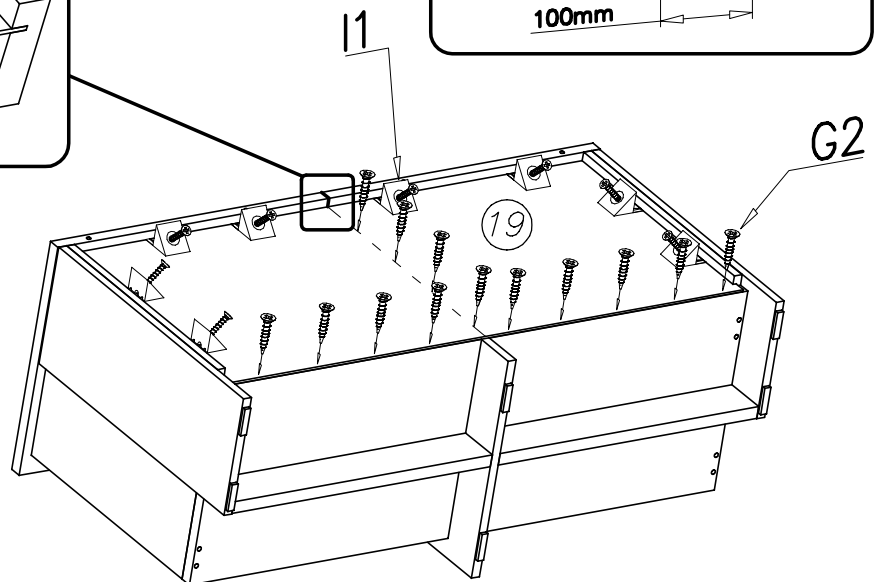
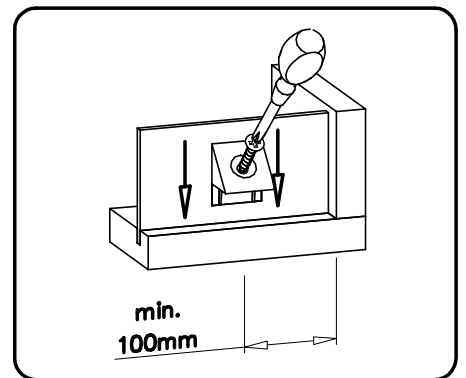
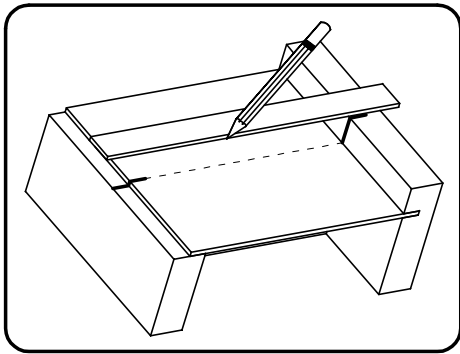
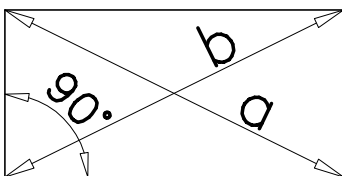


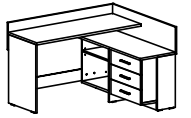


IX

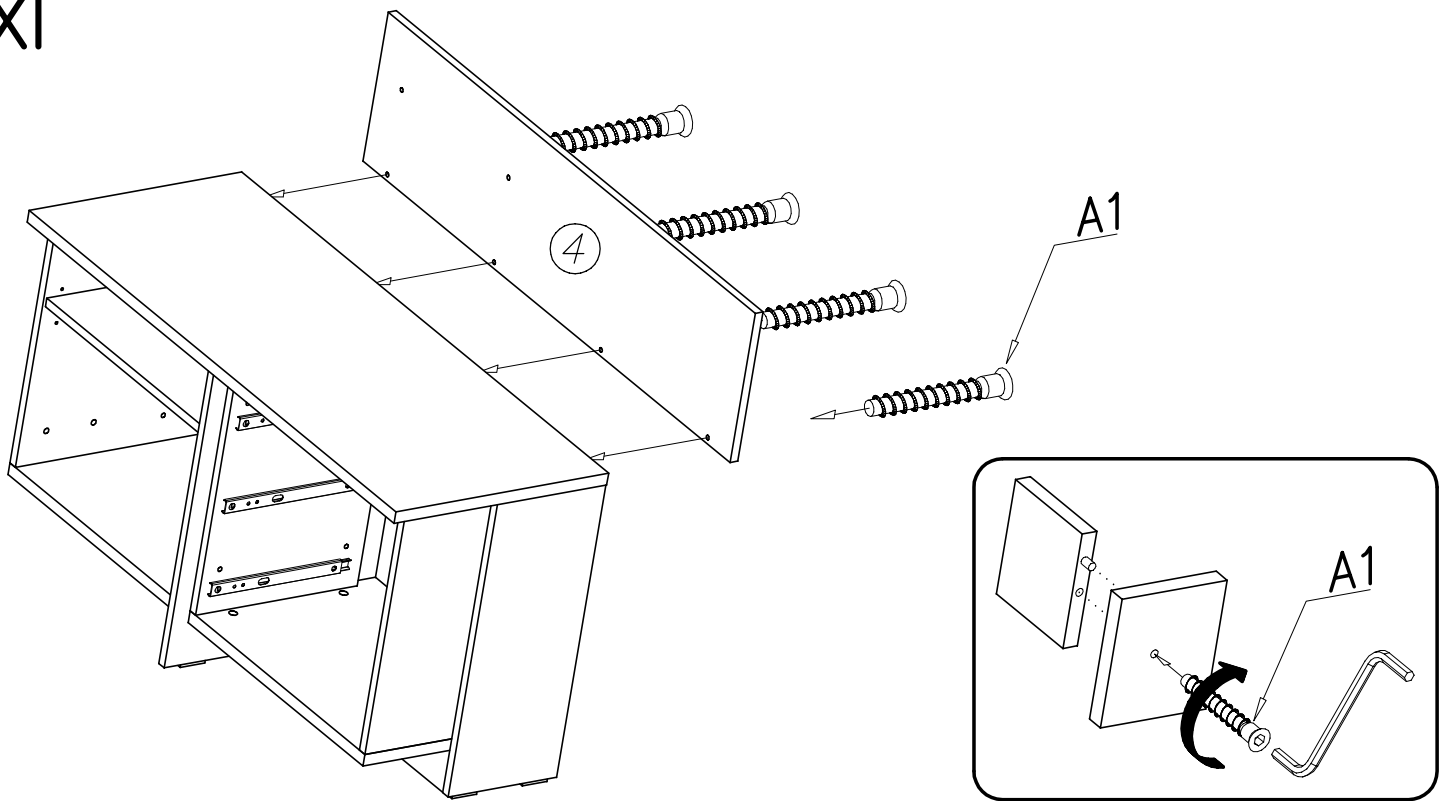


X

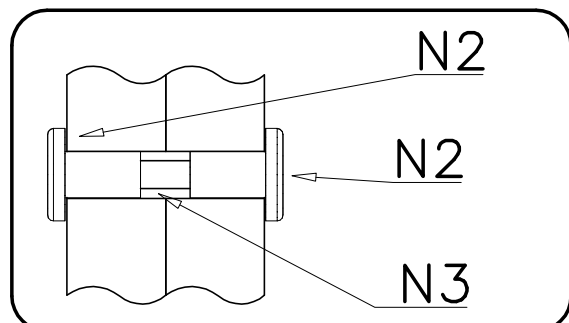
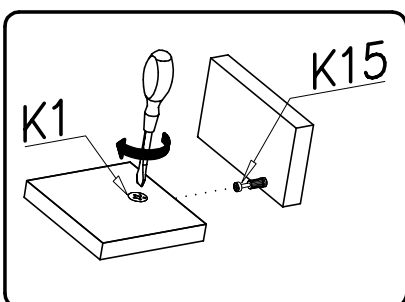
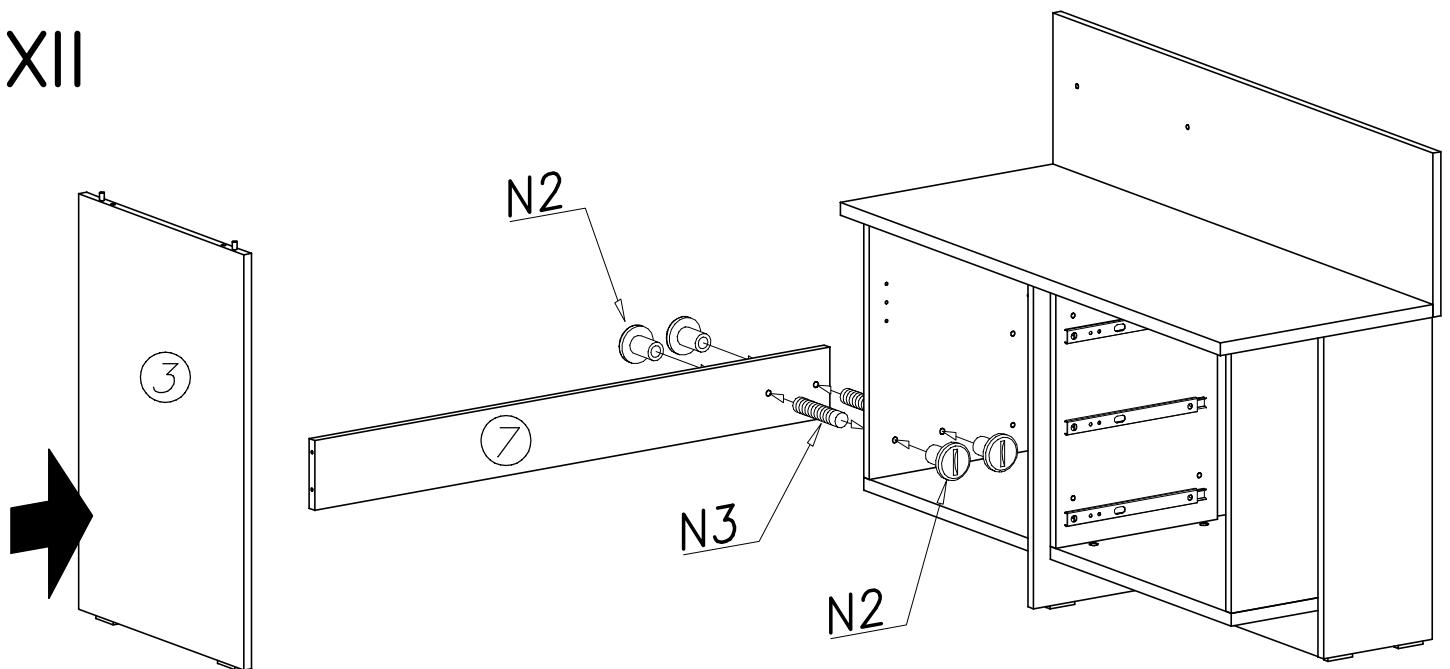

 $a = b$


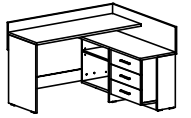


XI

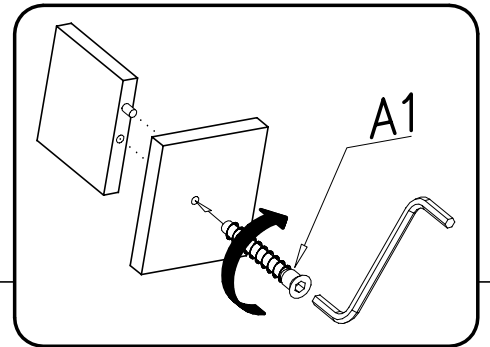
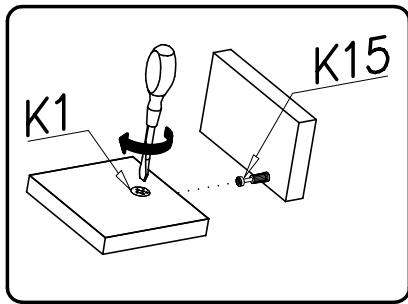
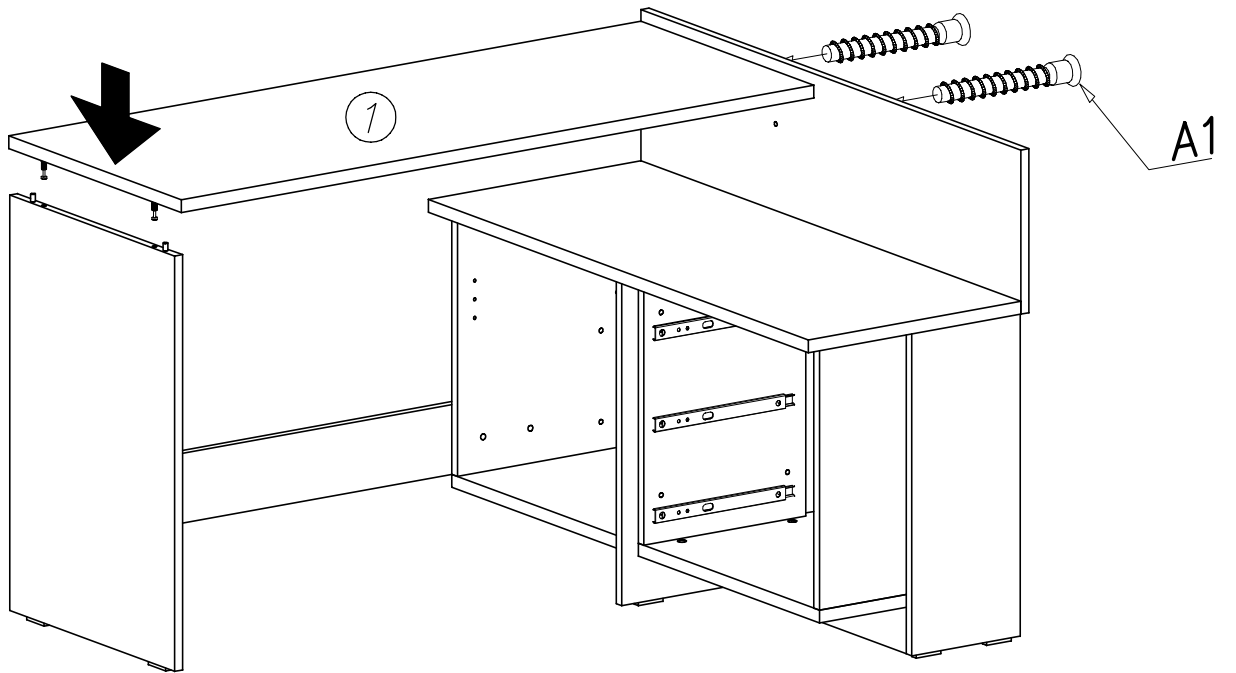


XII

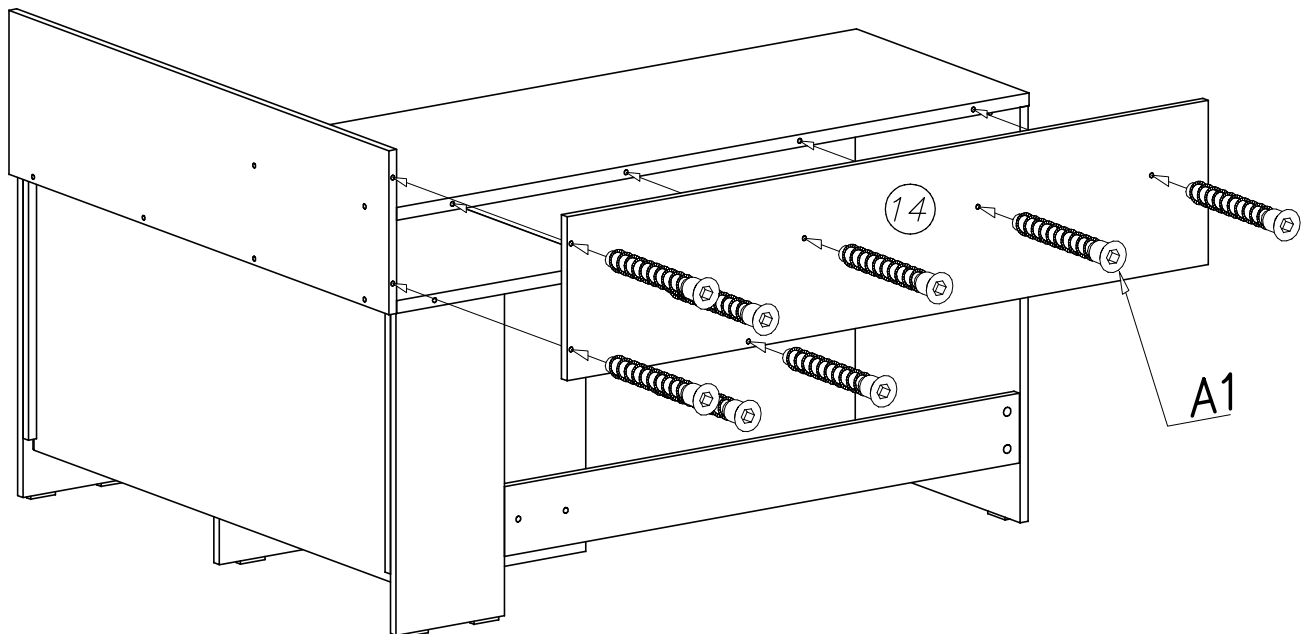


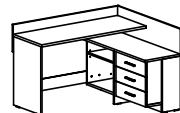


XIII

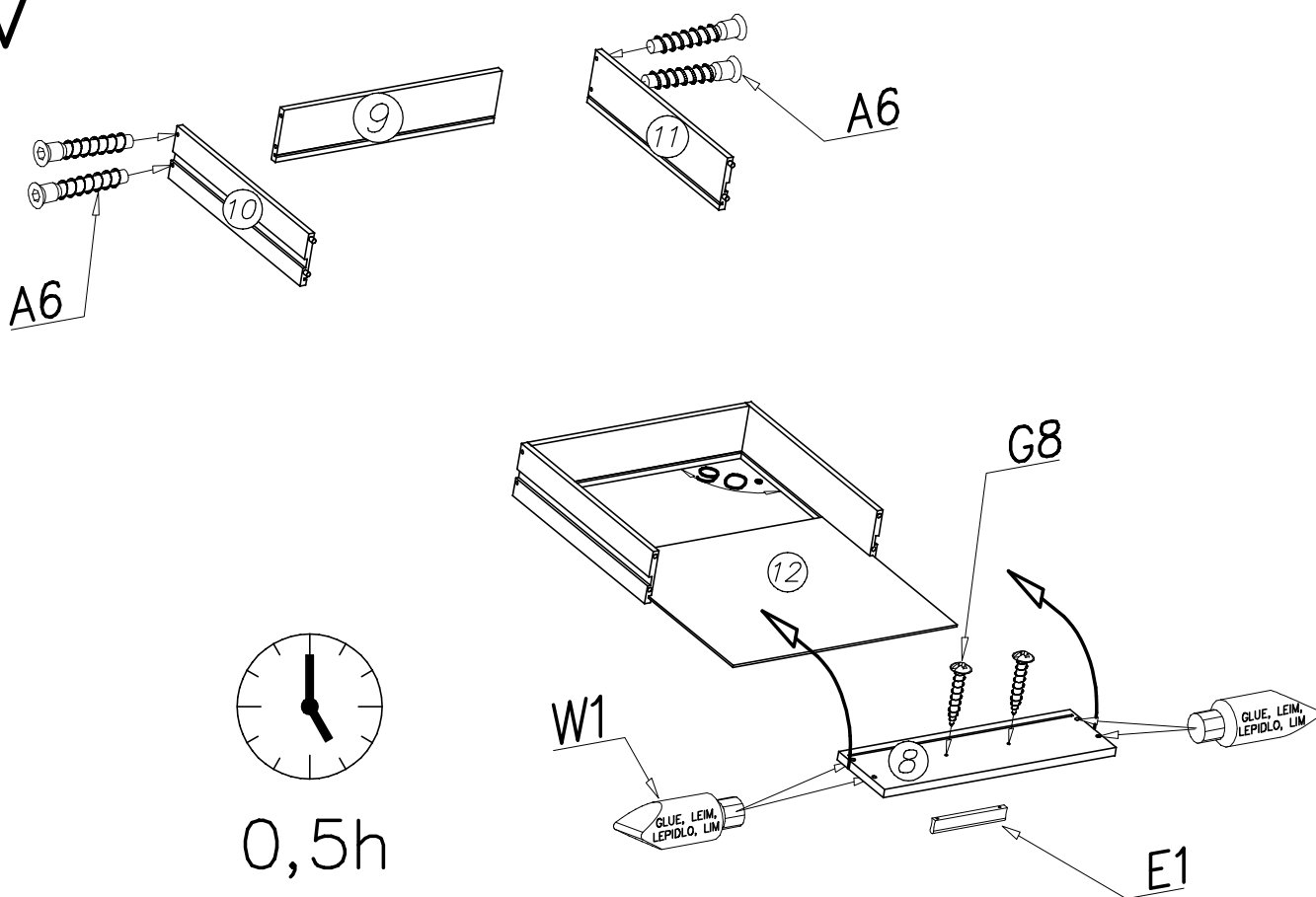


XIV

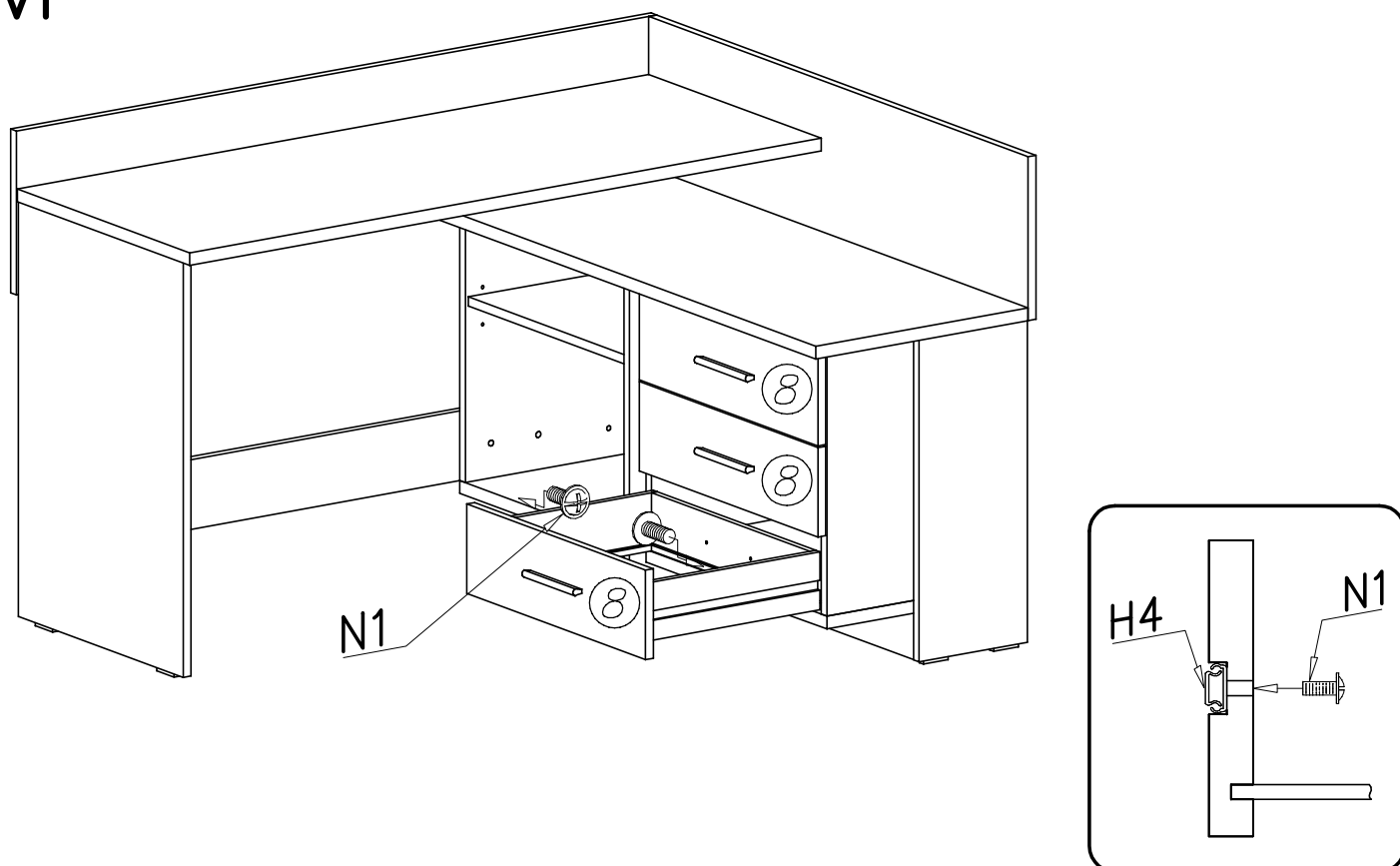


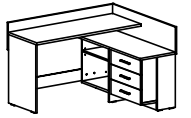


XV



XVI





XVII

