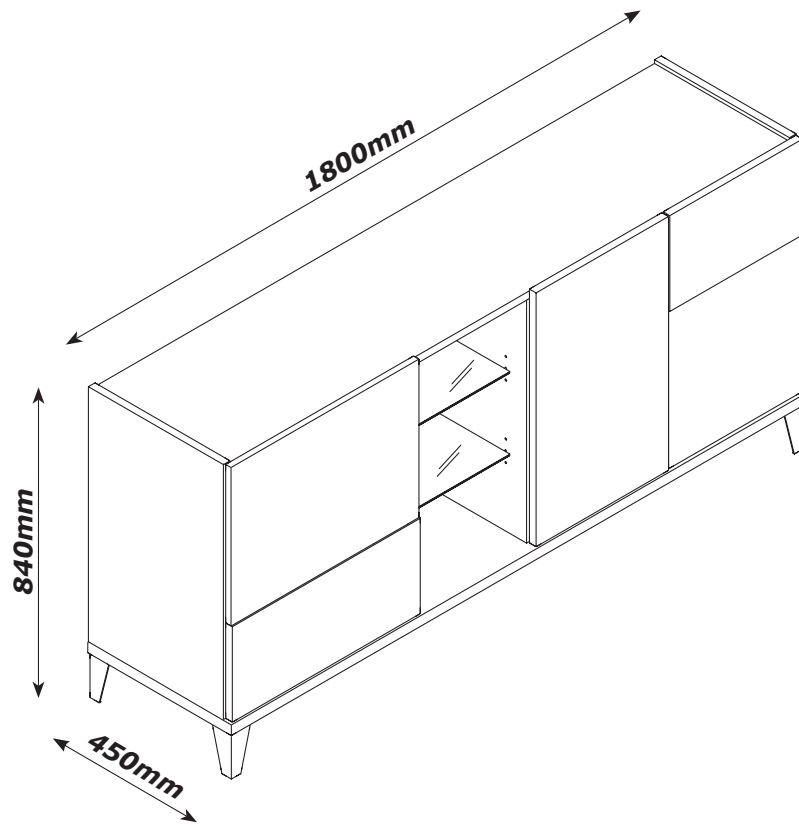
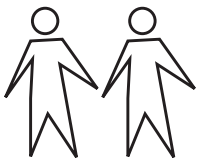


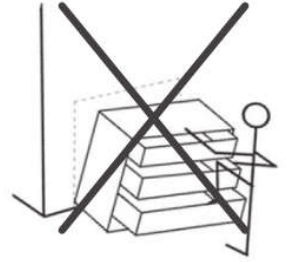
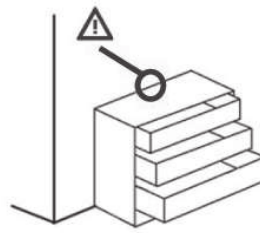
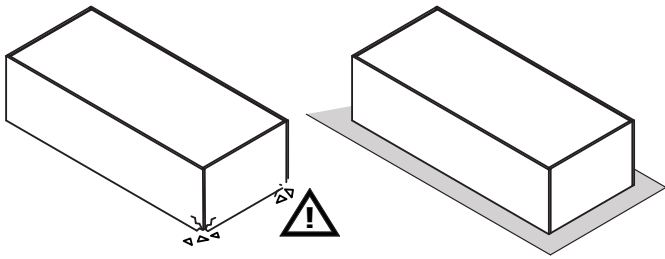
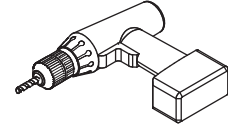
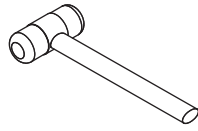
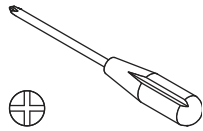
BS6630K62904



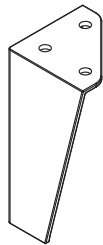
QF4891



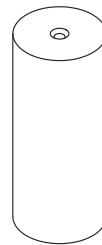
2,5h



BU4051



P65
x4

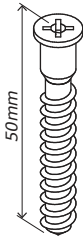


W525
x2

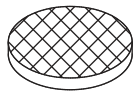
BU4000



V138
x12



V45
x2



H139
x2



H15
x30



R46
x8



R40
x8



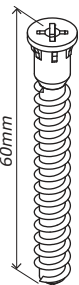
H82
x5



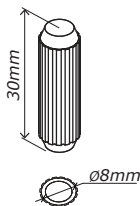
T119
x5



T99
x18



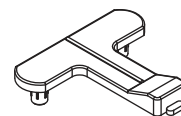
V57
x8



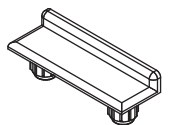
H1
x16



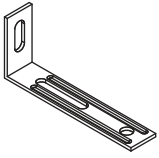
T28
x8



H306
x2



H114
x1



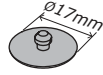
H185
x1



H129
x2



V81
x2



G108
x4



G32
x10



G13
x2

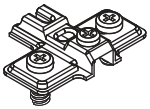


H302
x4

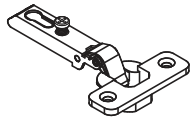


H210
x2

BU0068



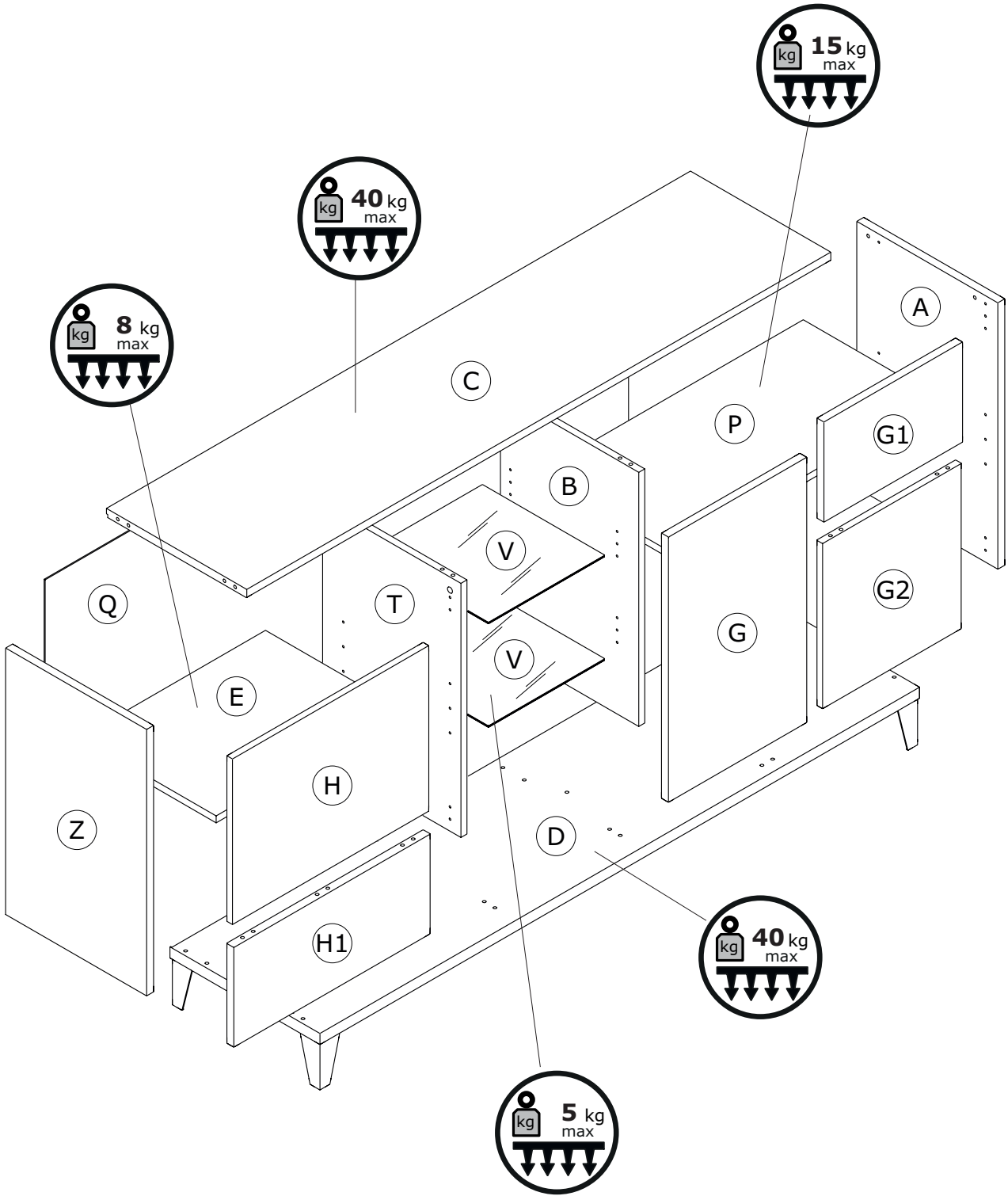
B9
x6

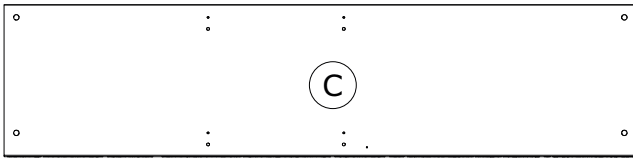


C1
x6

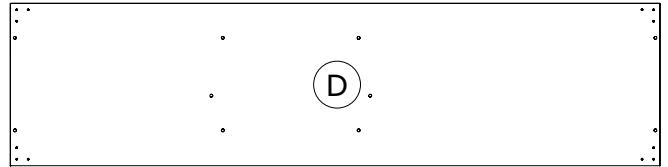


V5
x12

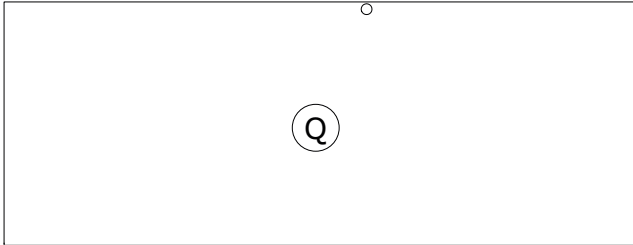




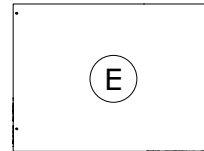
CA3446
1752x421x22mm



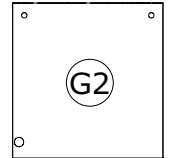
BA2112
1800x450x30mm



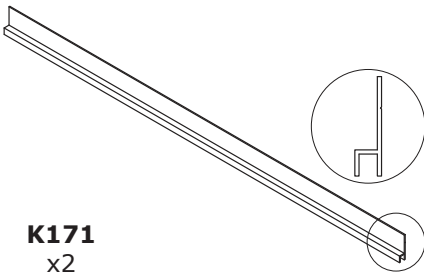
SS0701
1750x674x3mm



PI7016
556x408x18mm

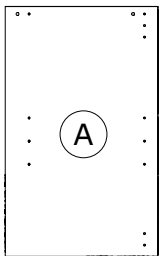


AN2746
430x417x18mm

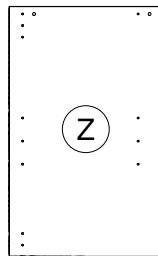


K171
x2

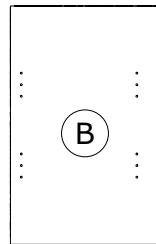
BOX 1/2



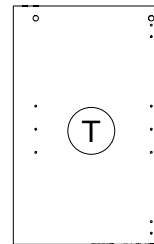
FI8386
692x423x22mm



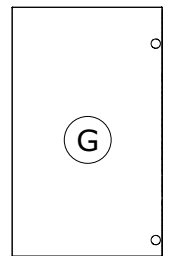
FI8387
692x423x22mm



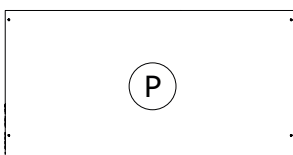
TR2136
660x415x18mm



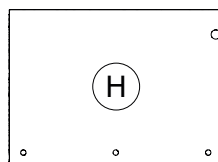
TR2137
660x415x18mm



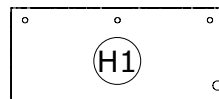
AN2745
692x416x22mm



PI7017
802x408x18mm



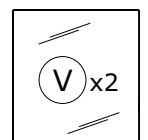
AN2749
430x590x18mm



AN2748
590x260x22mm



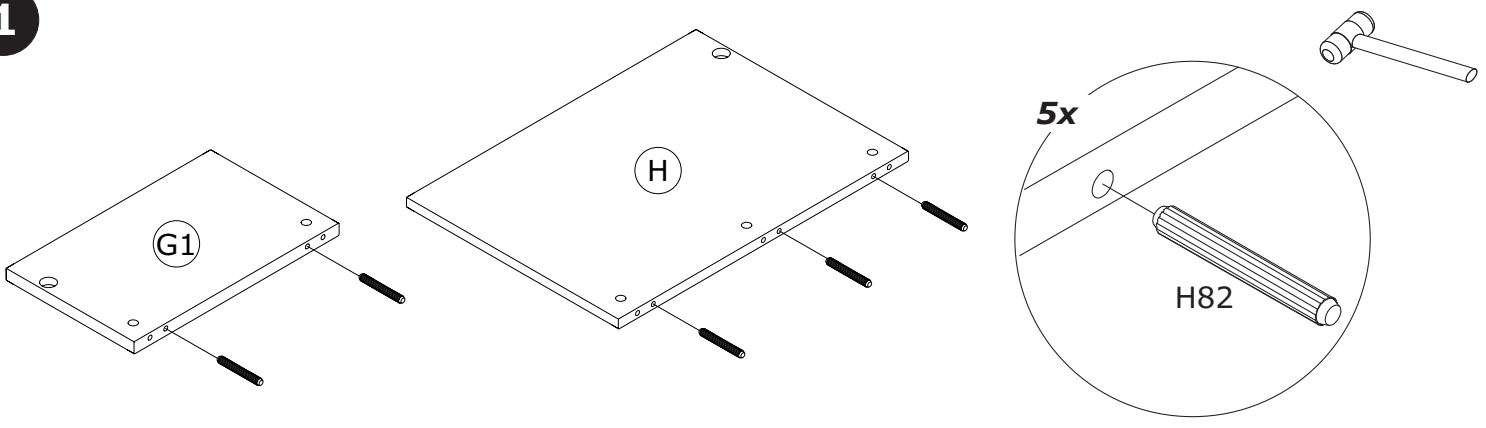
AN2747
417x260x22mm



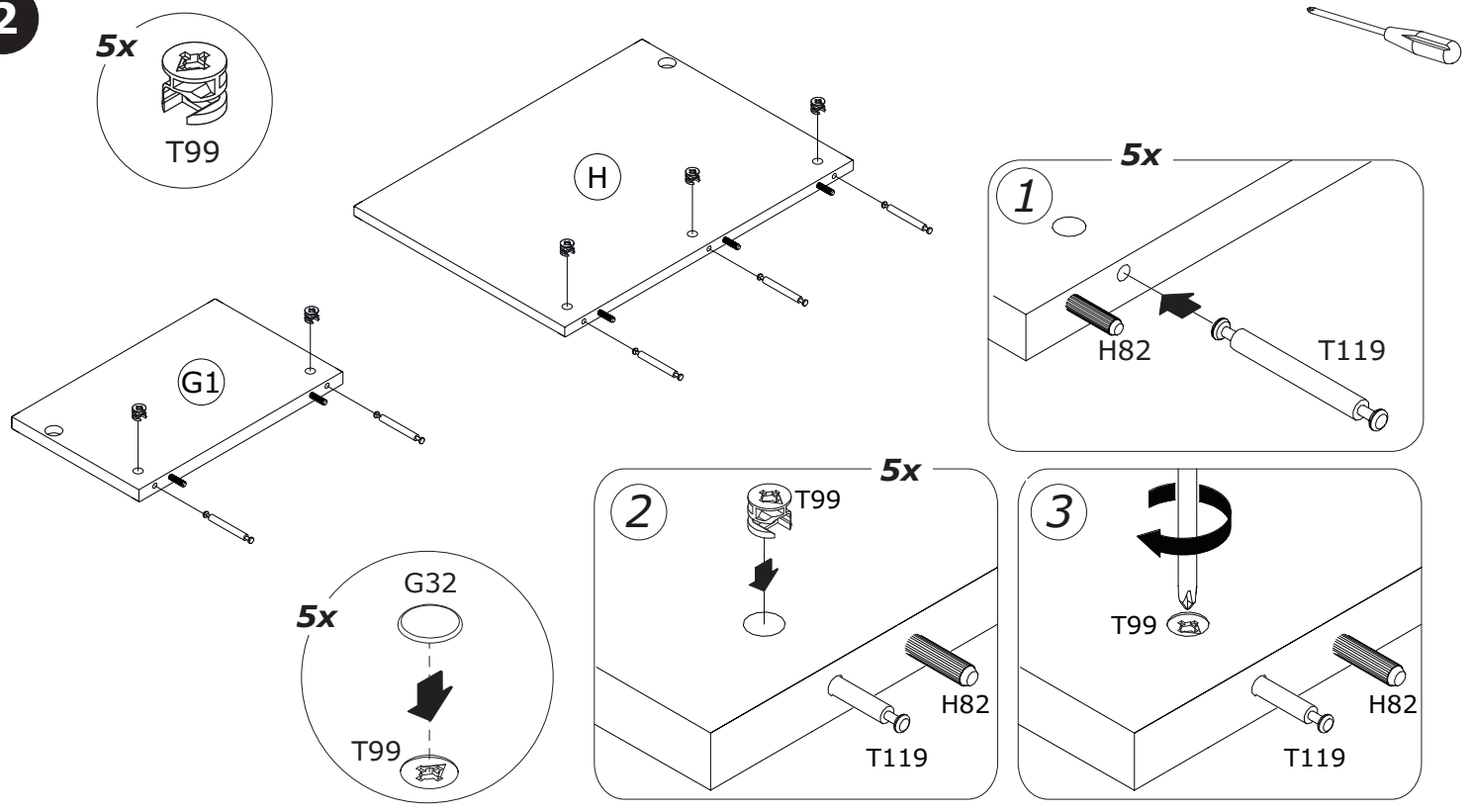
VT0153
368x350x4mm

BOX 2/2

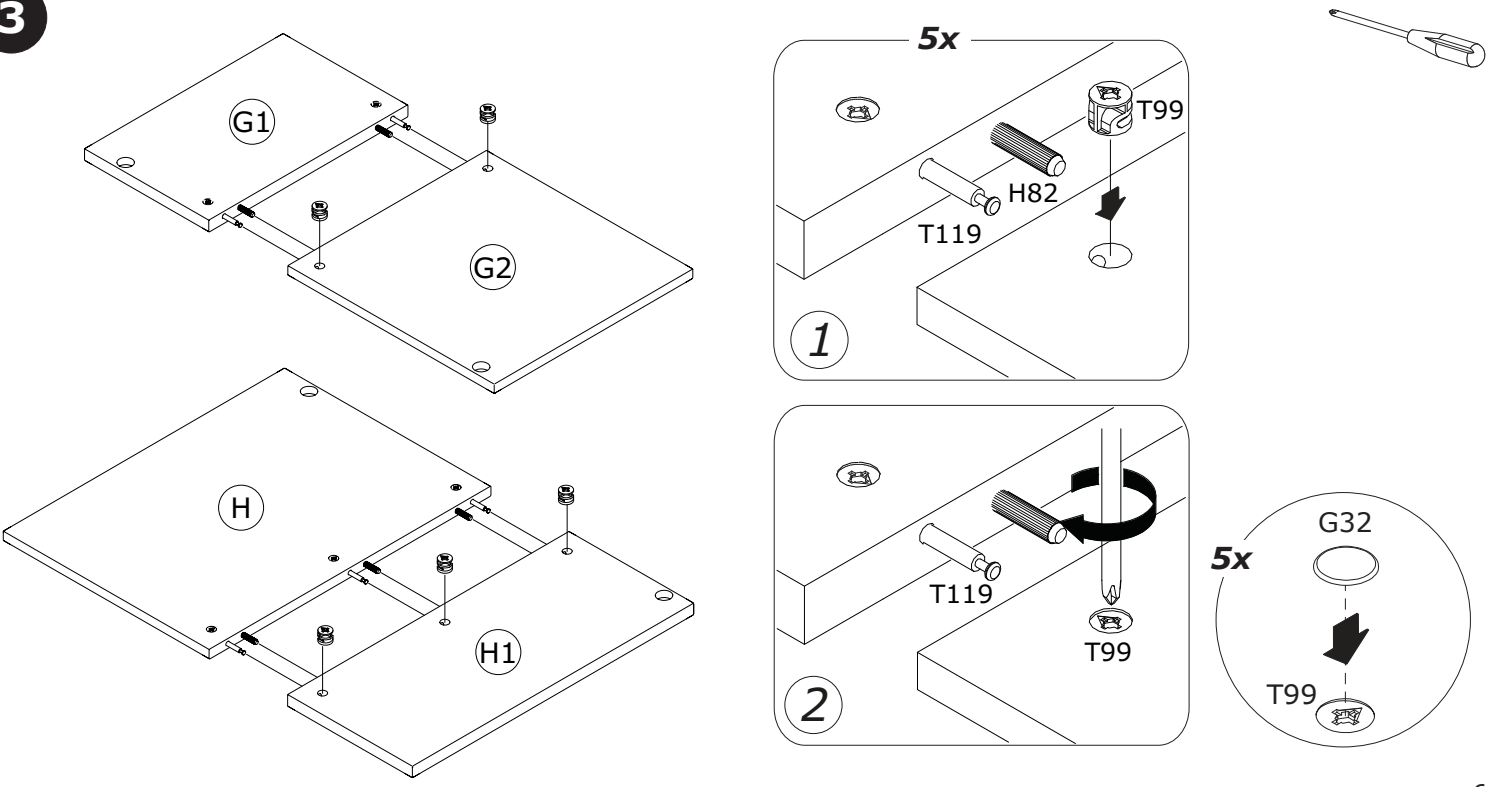
1



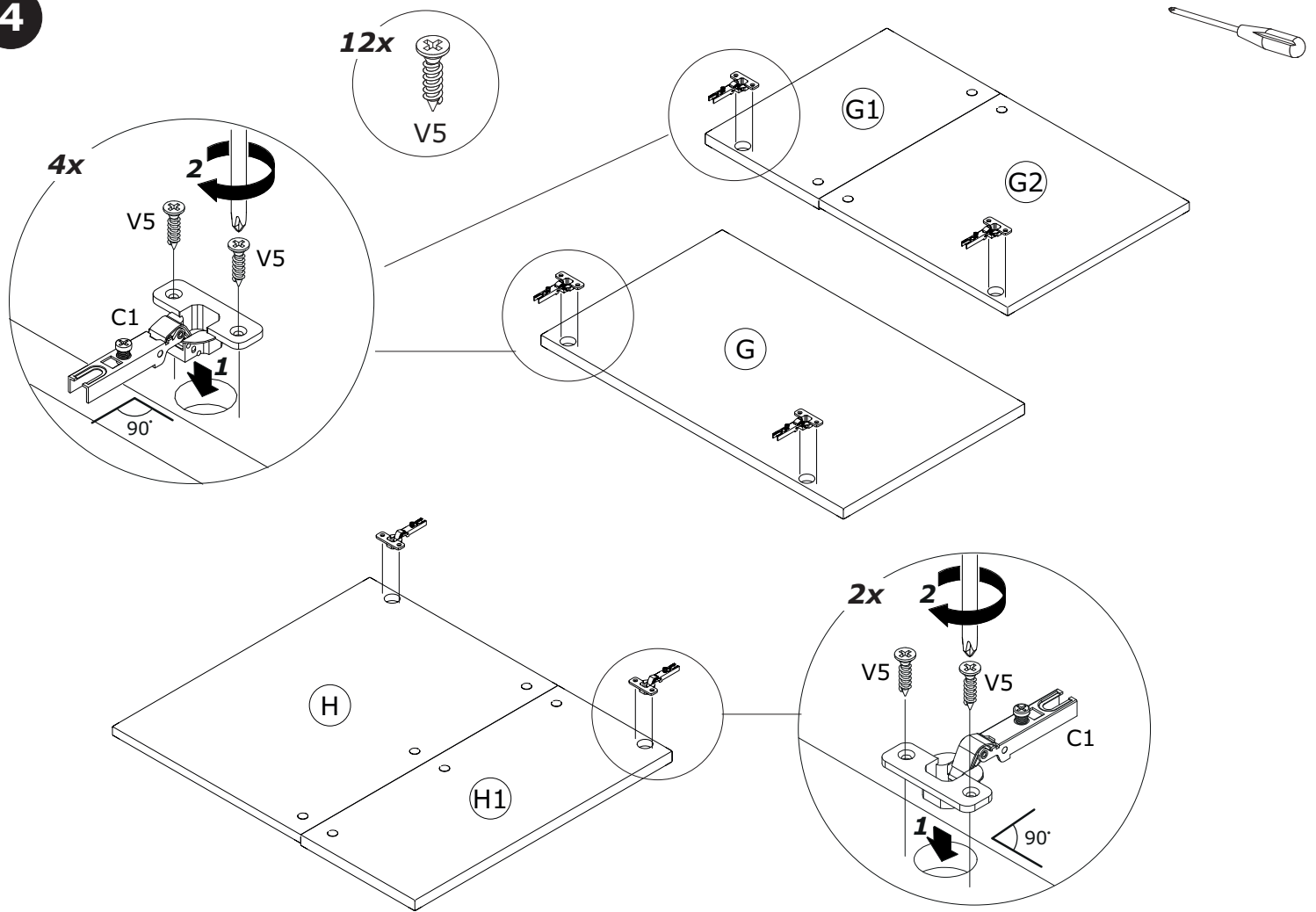
2



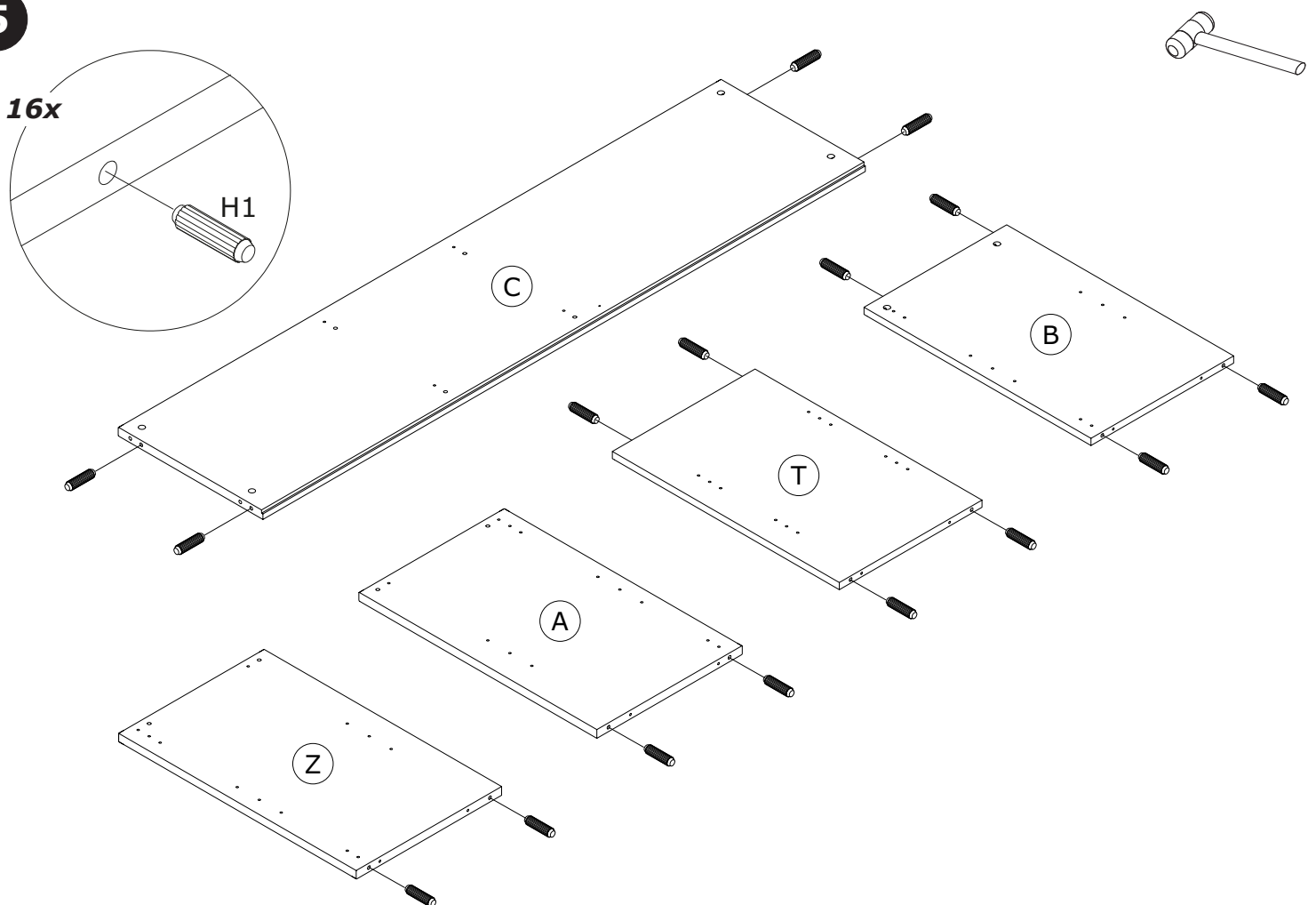
3



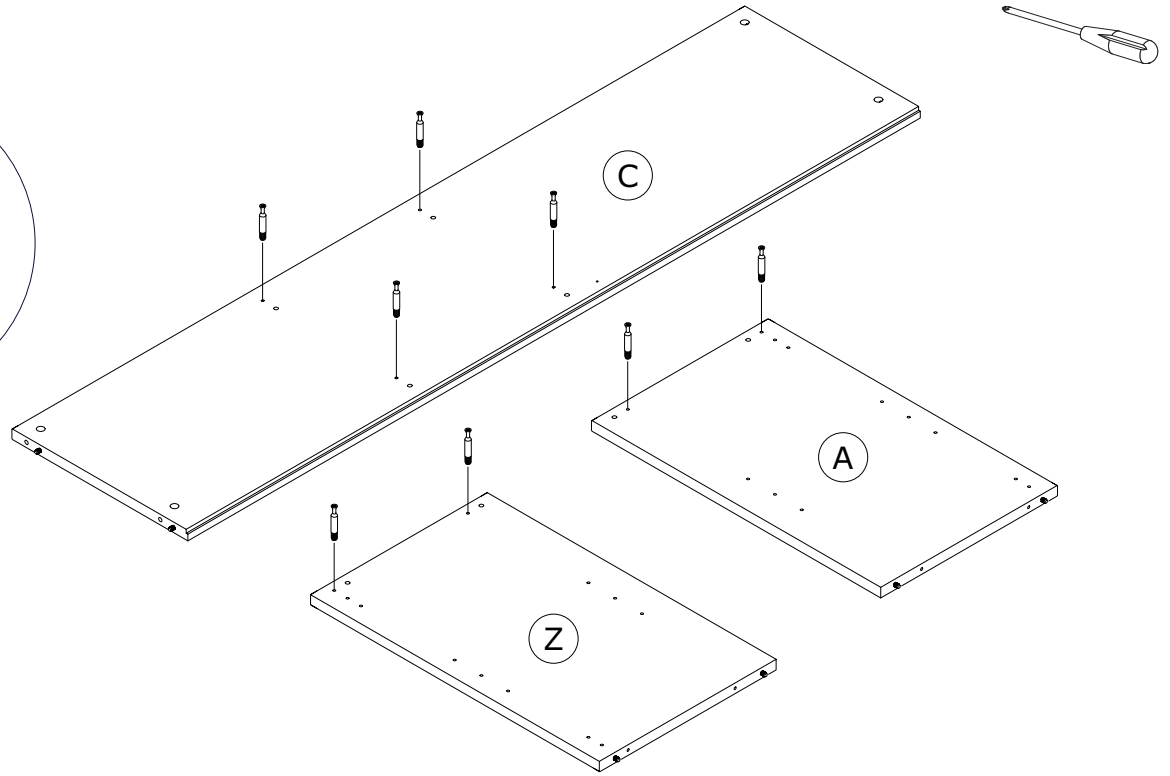
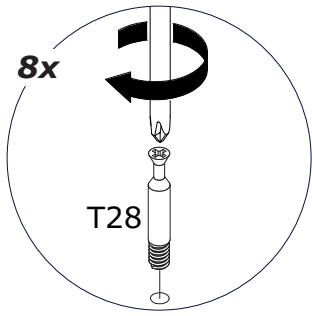
4



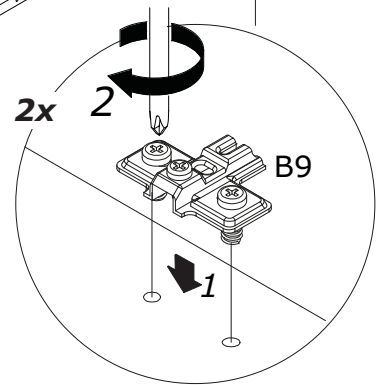
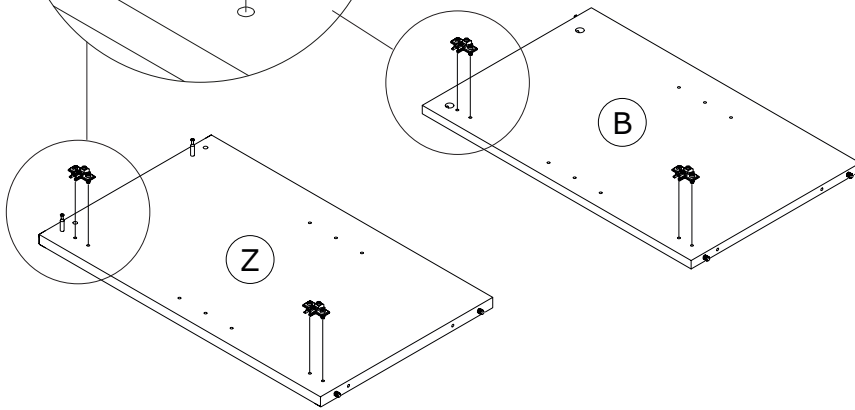
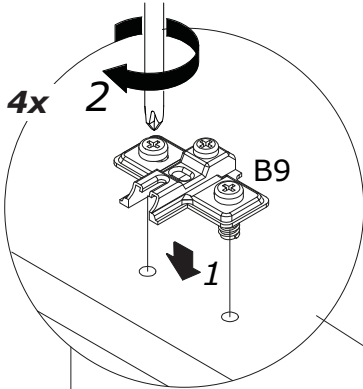
5



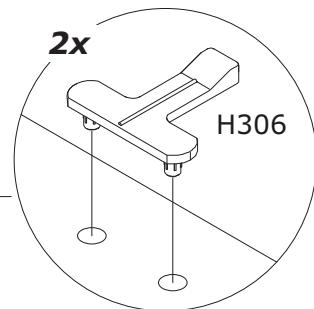
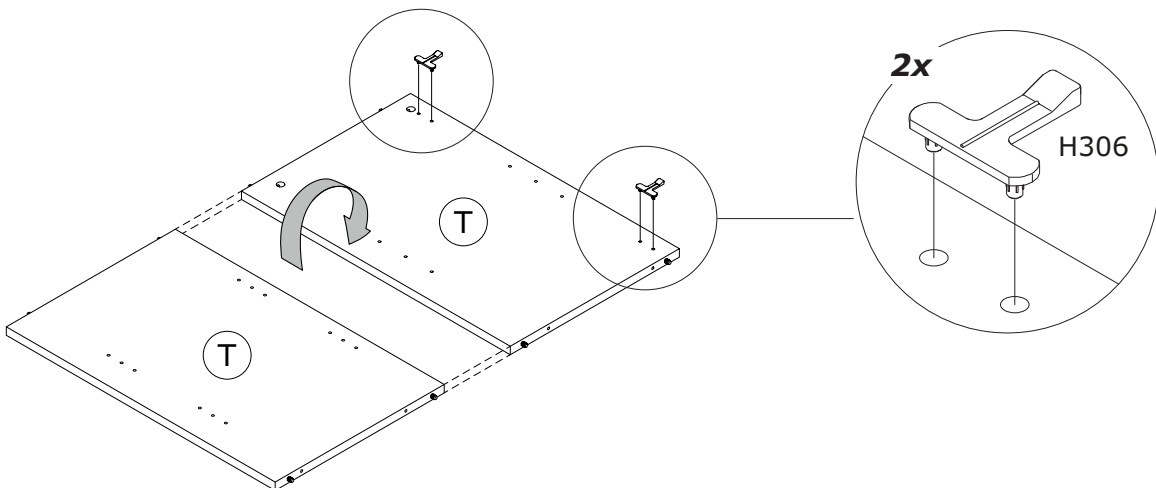
6



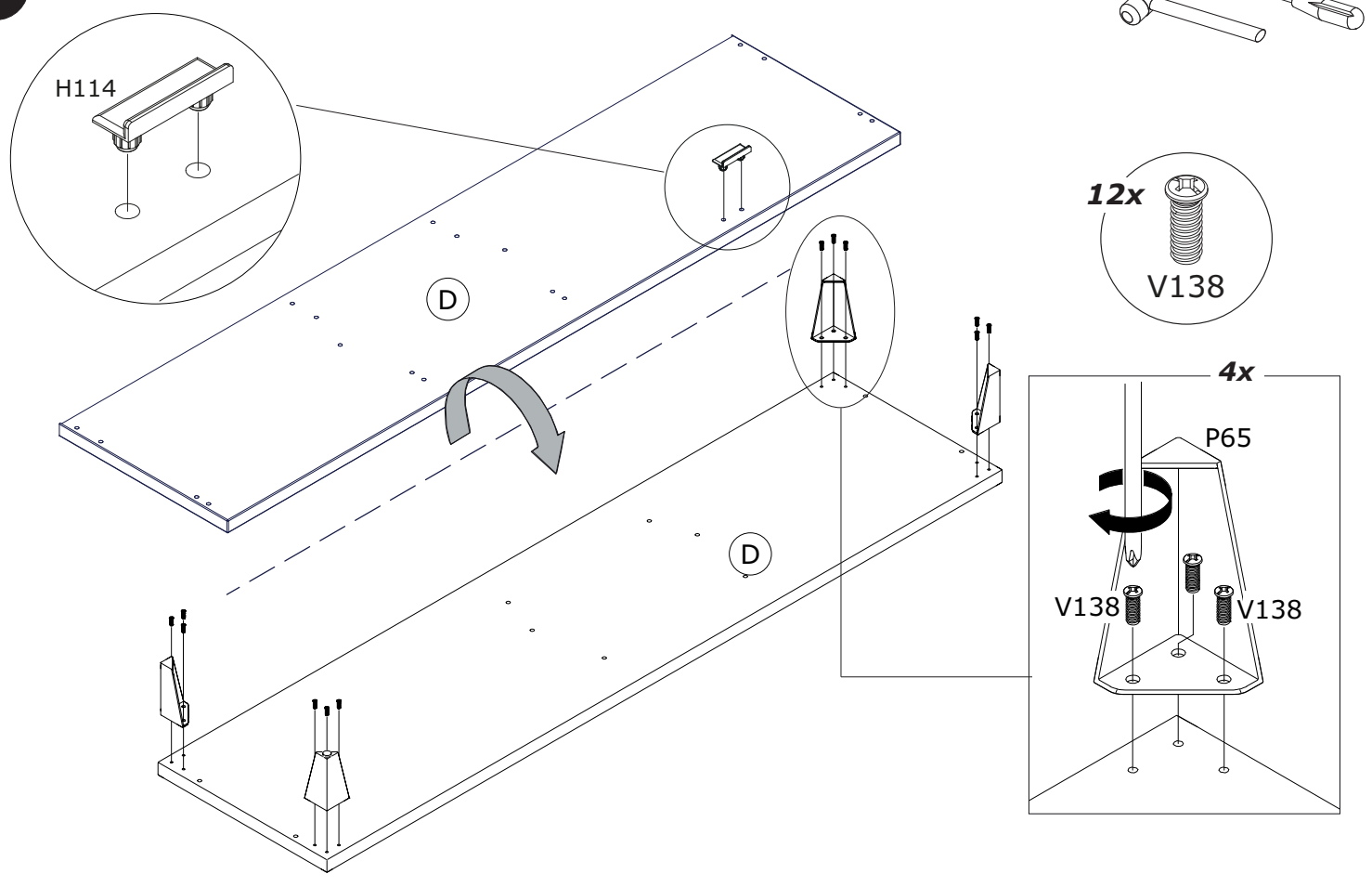
7



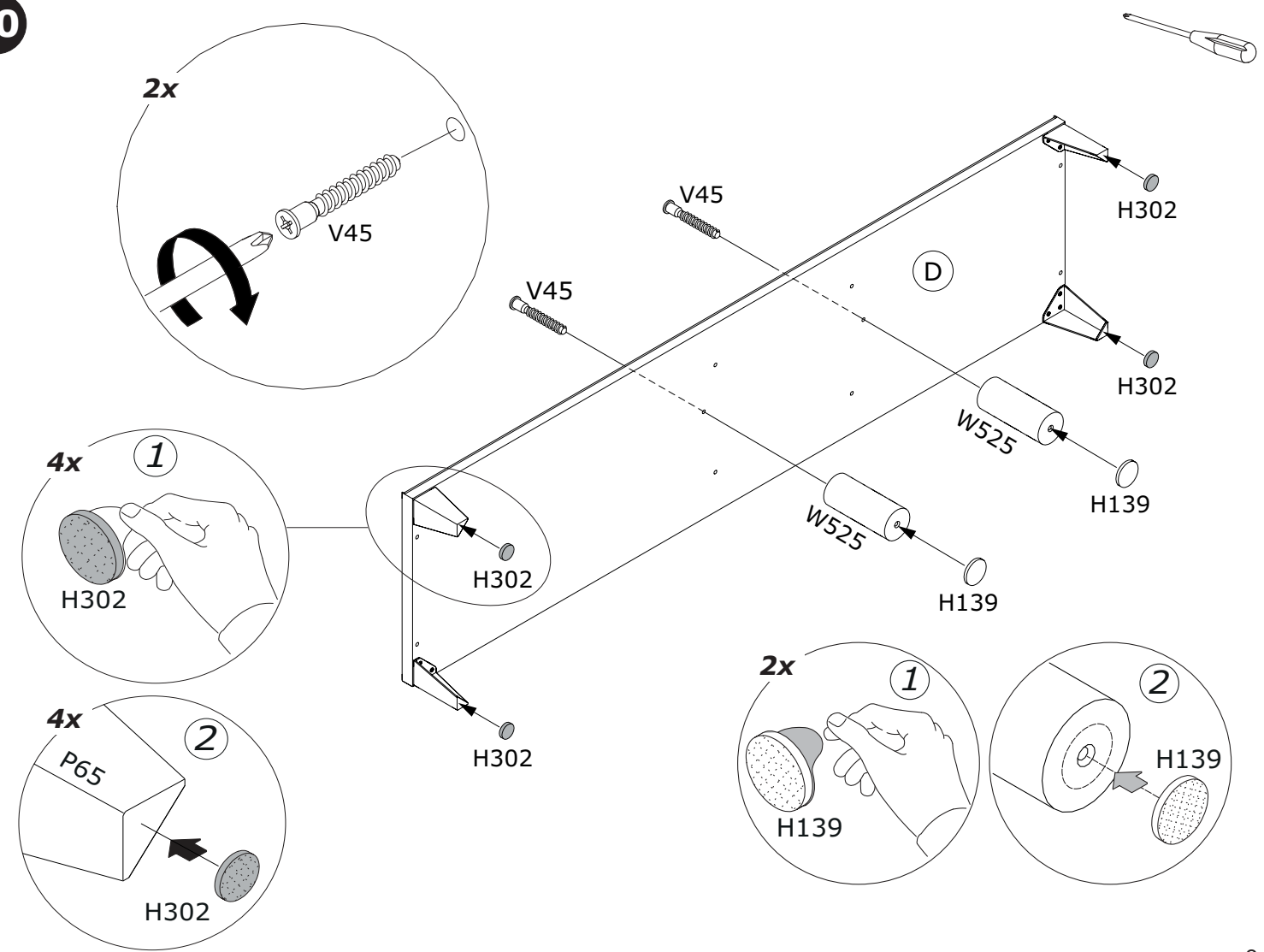
8



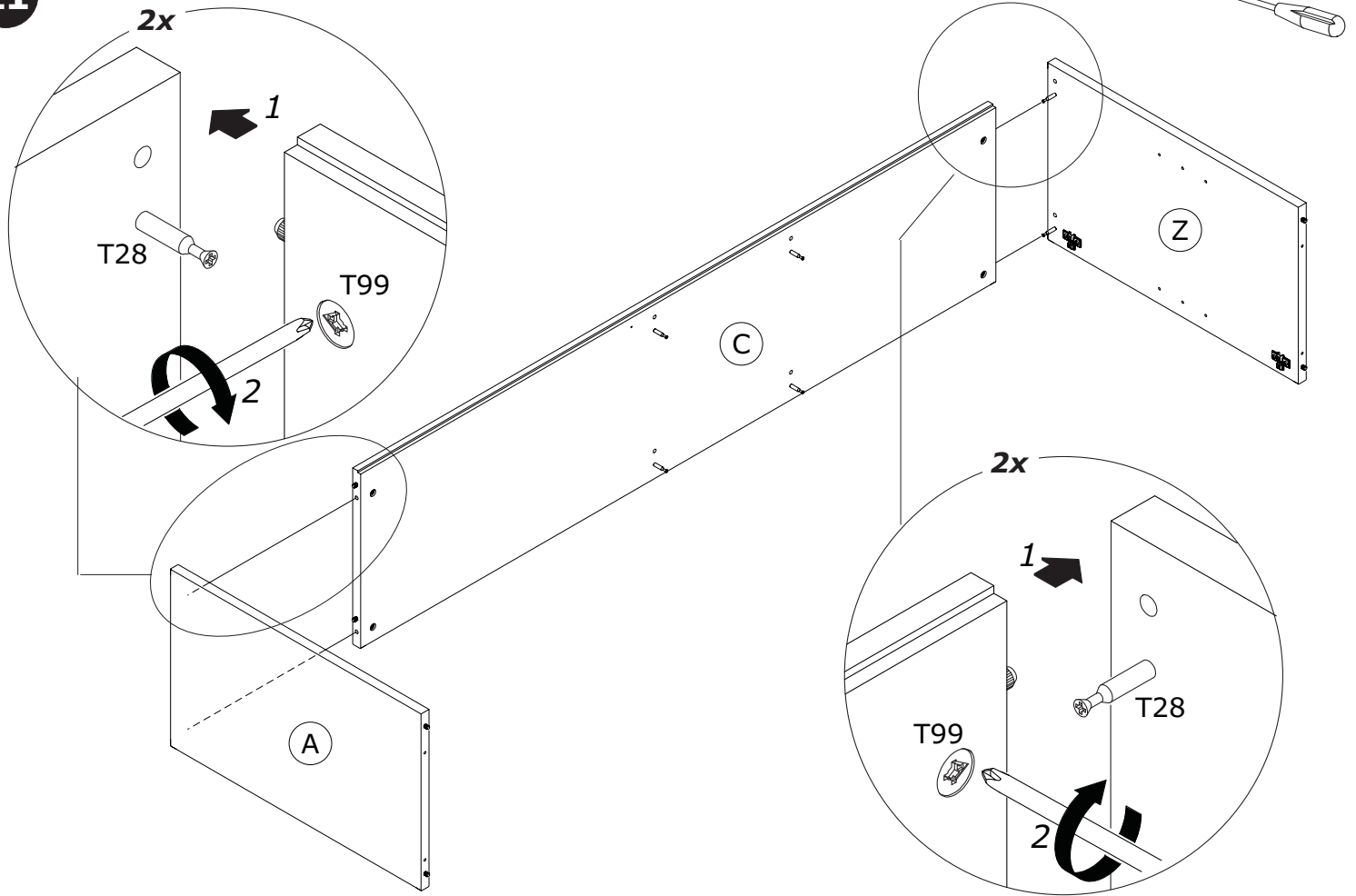
9



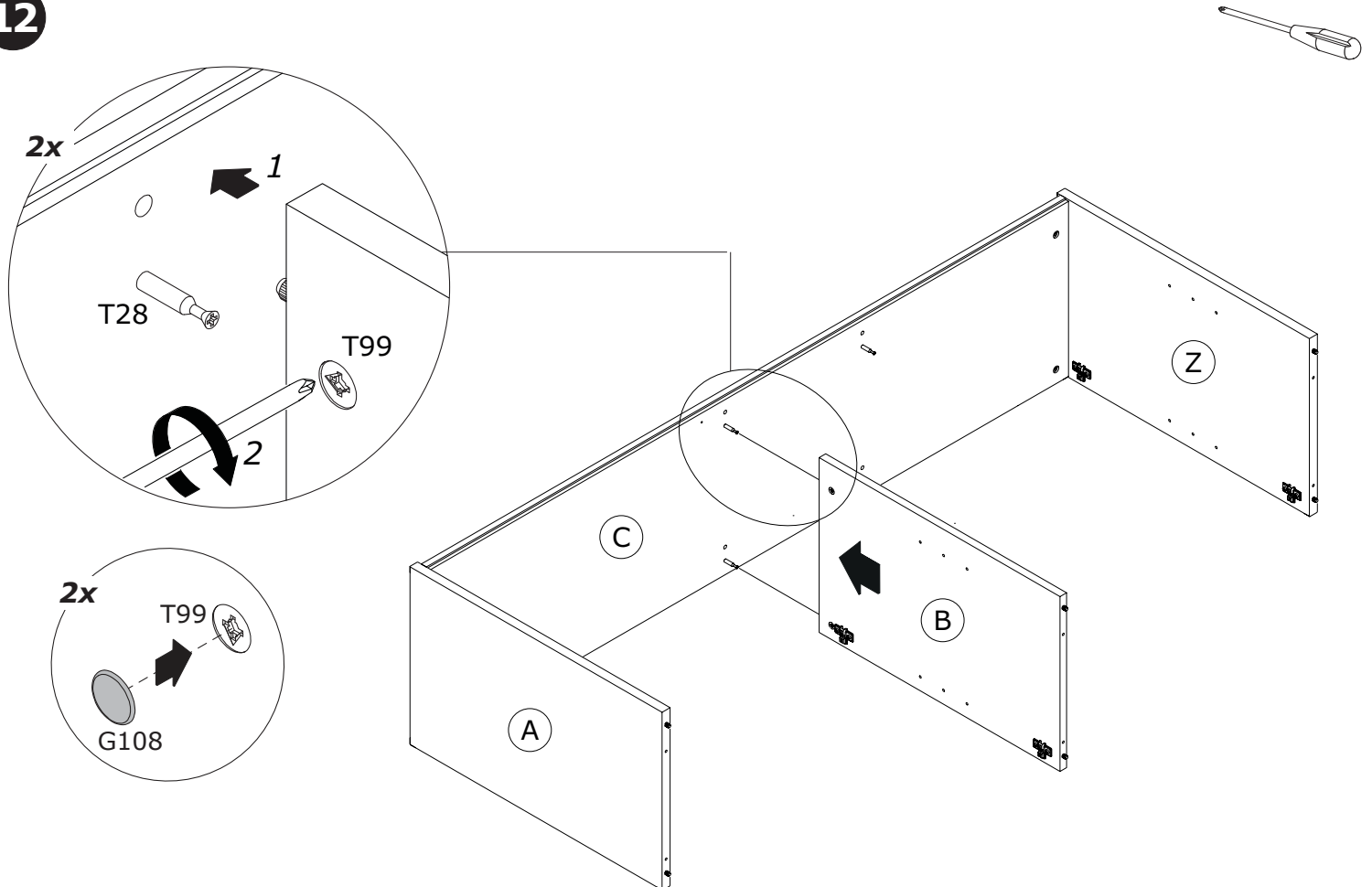
10



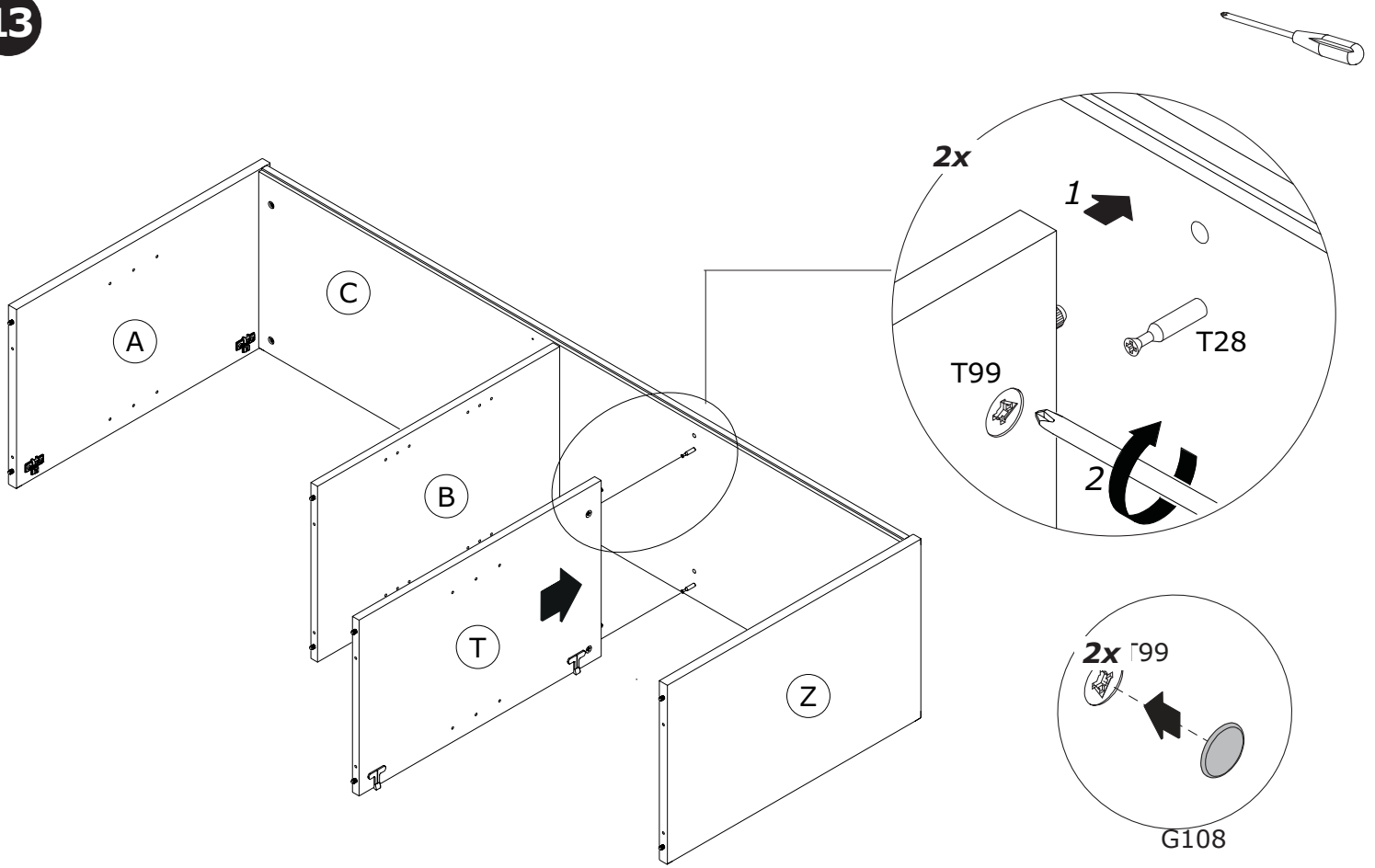
11



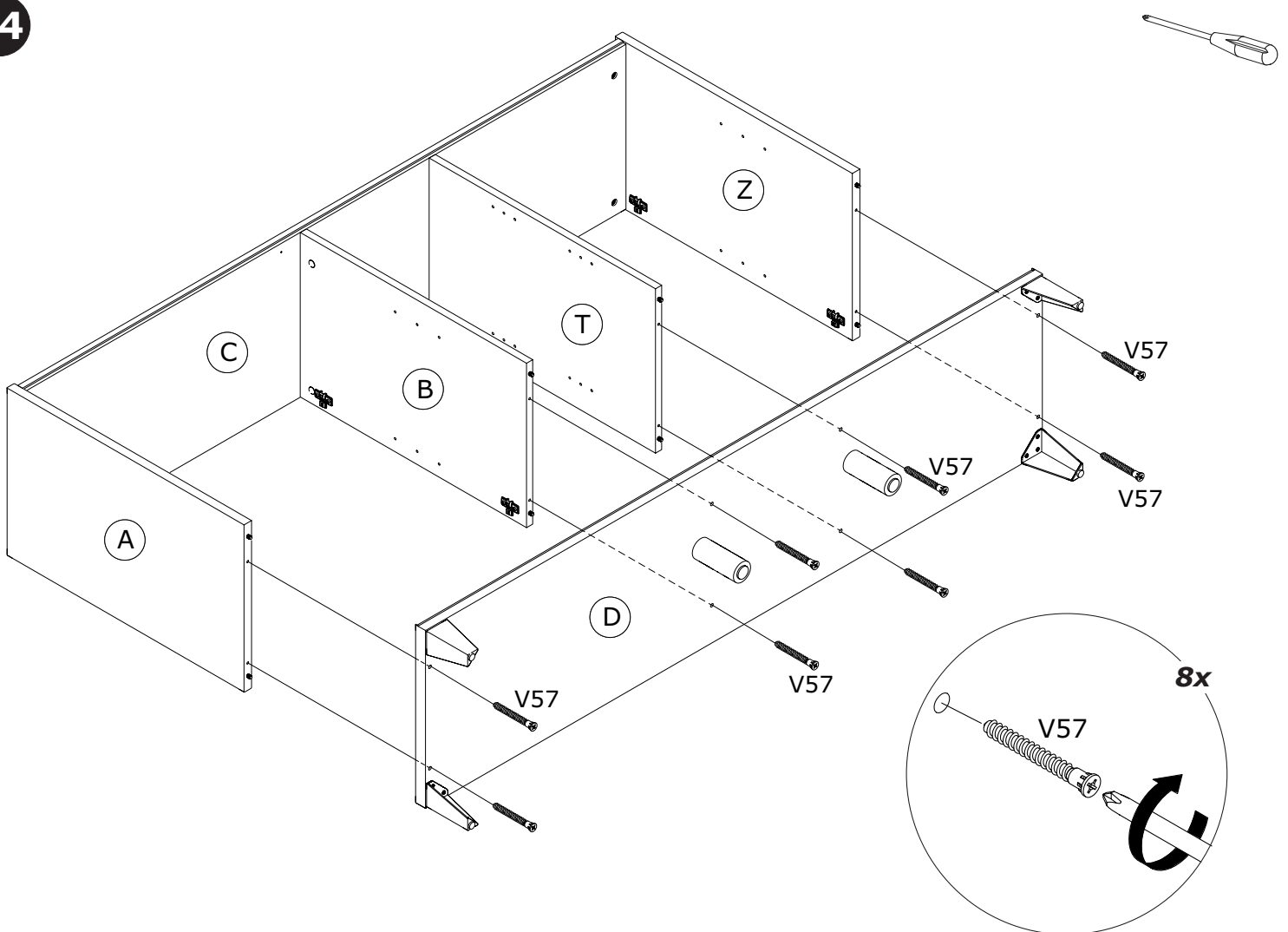
12



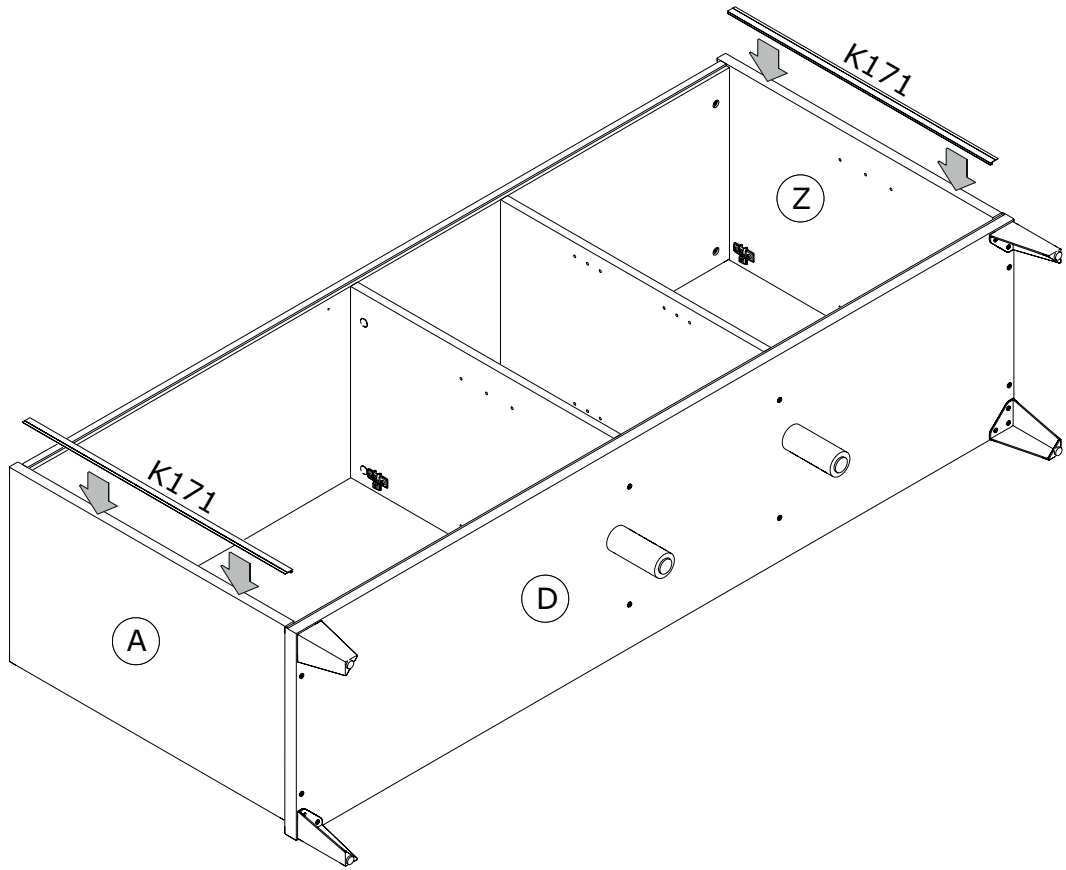
13



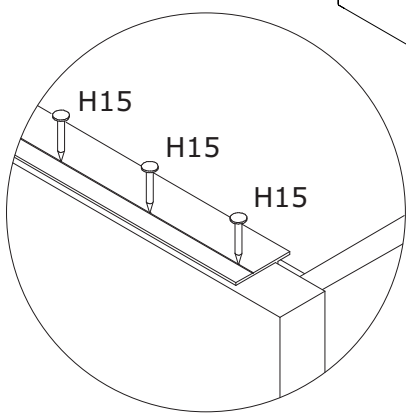
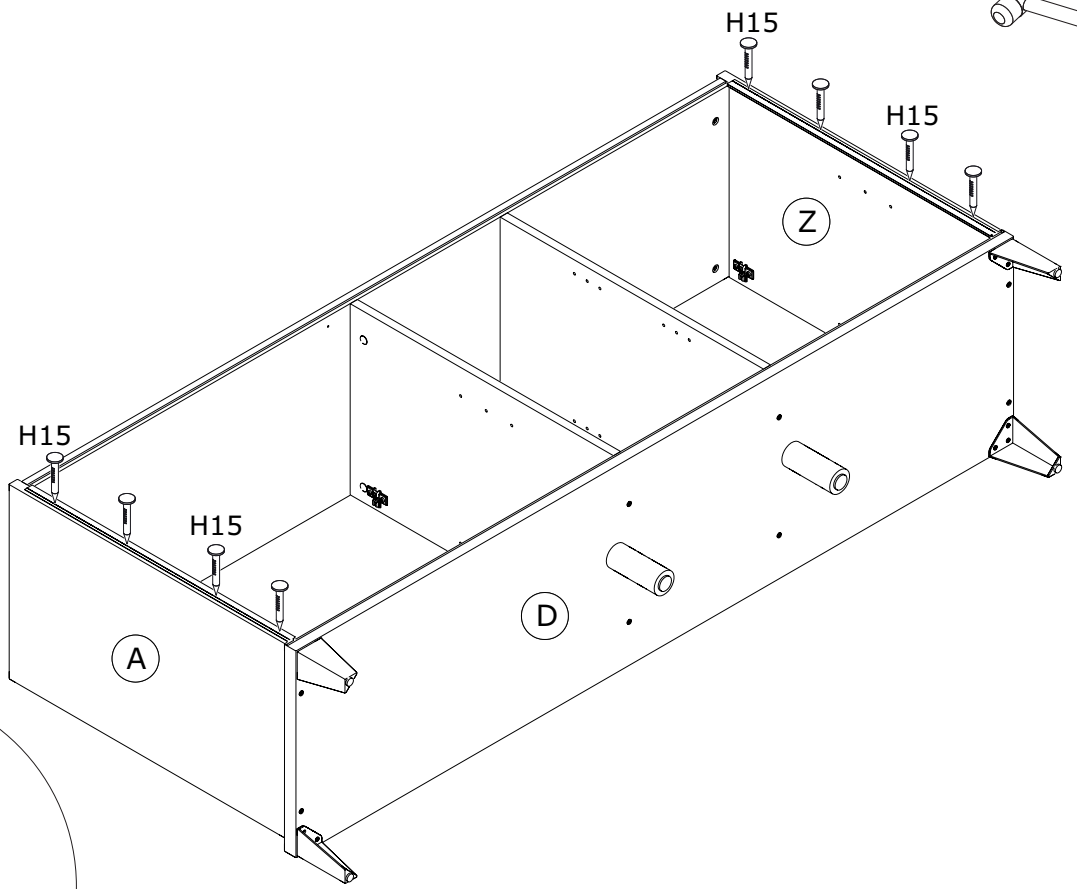
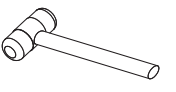
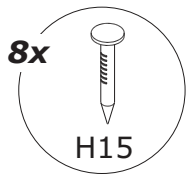
14



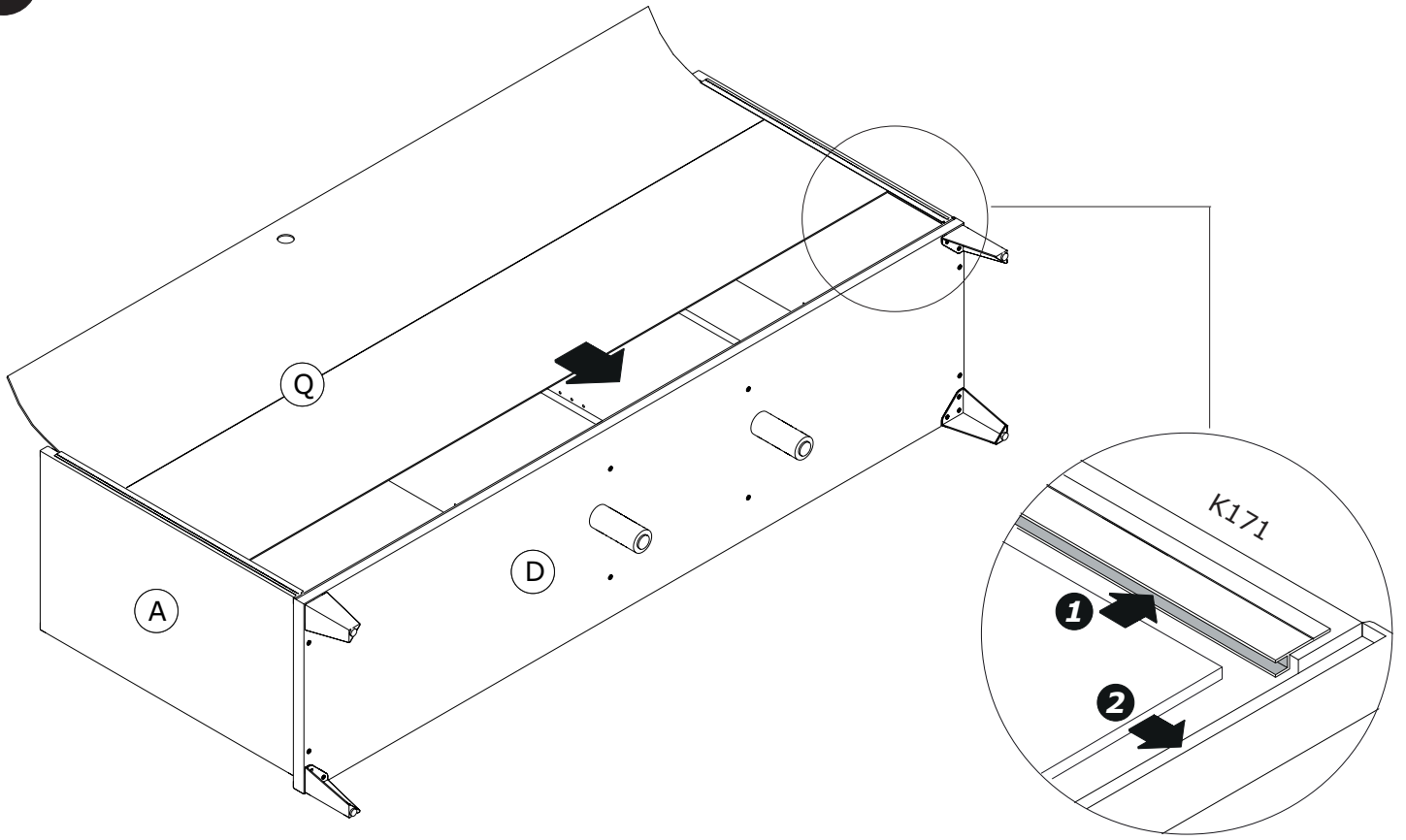
15



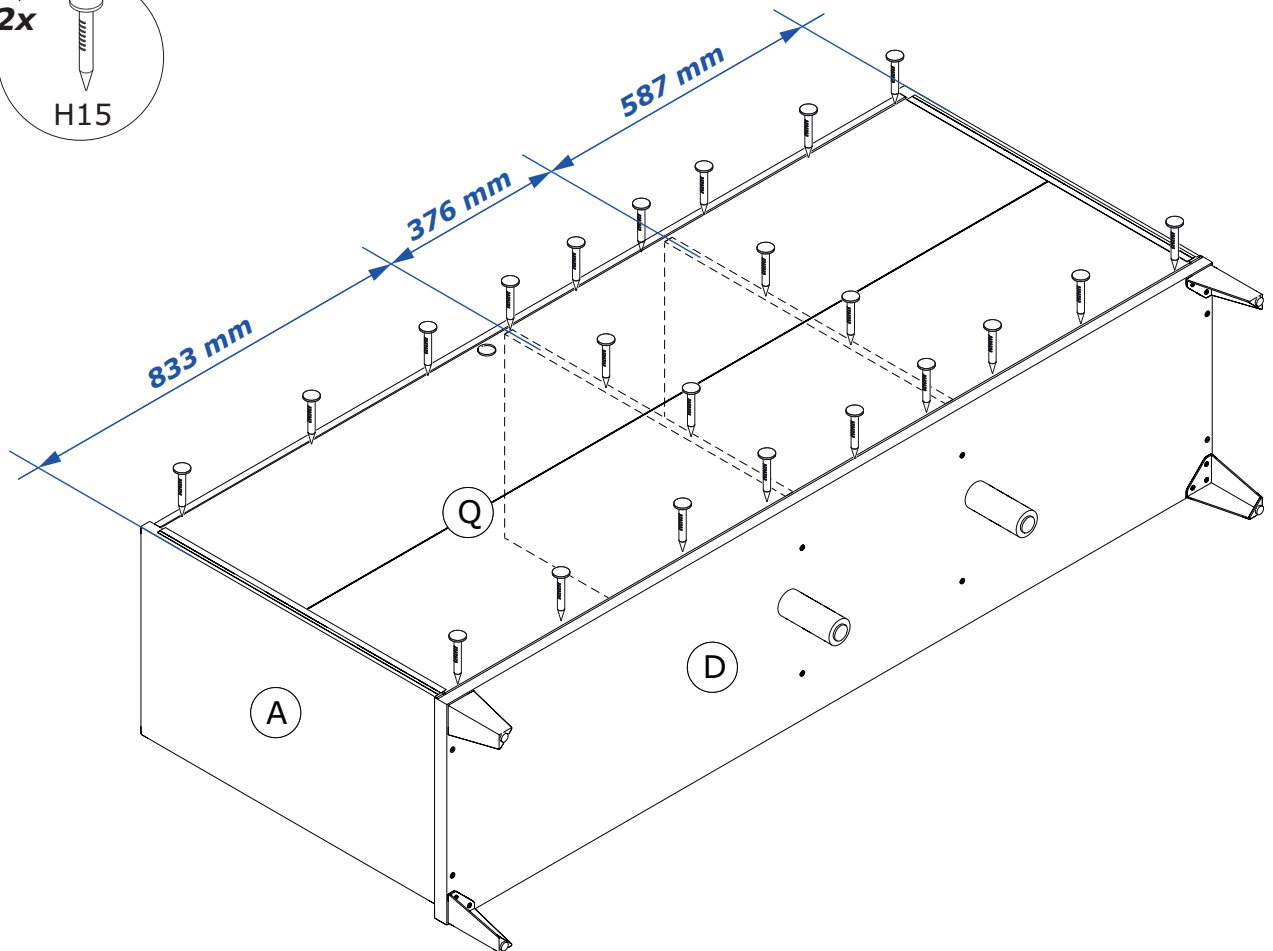
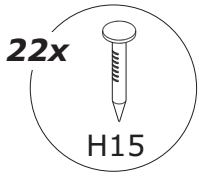
16



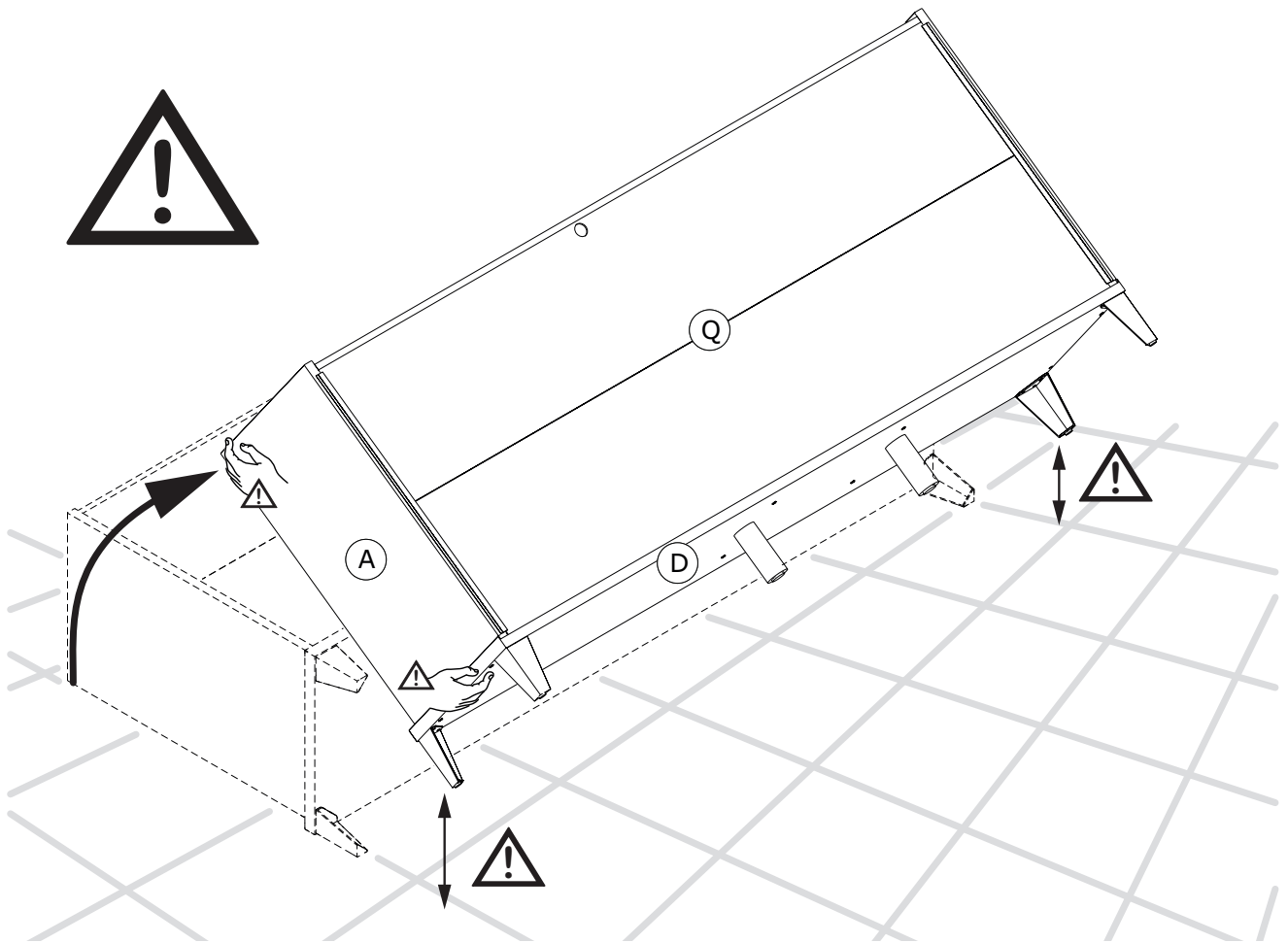
17



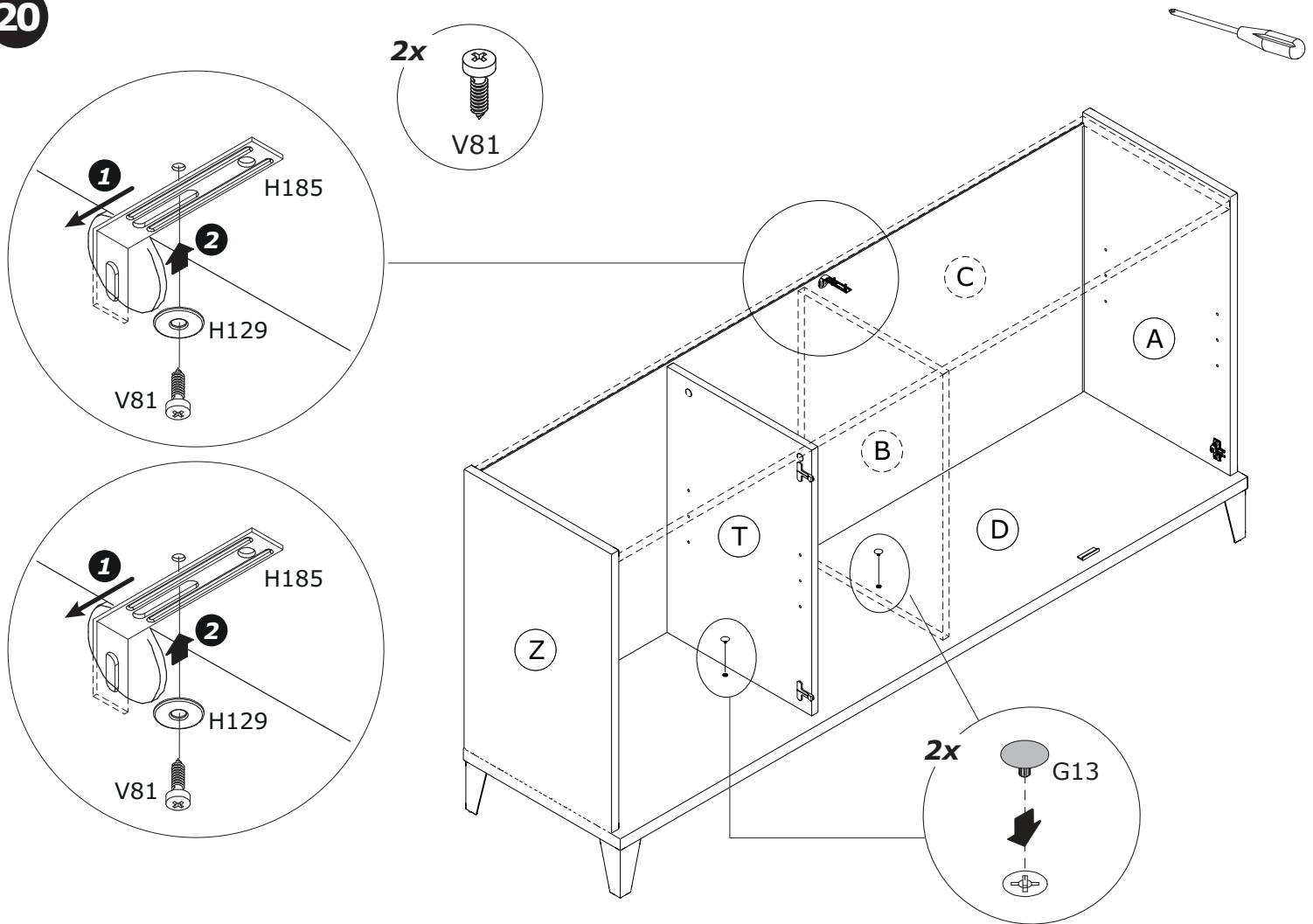
18



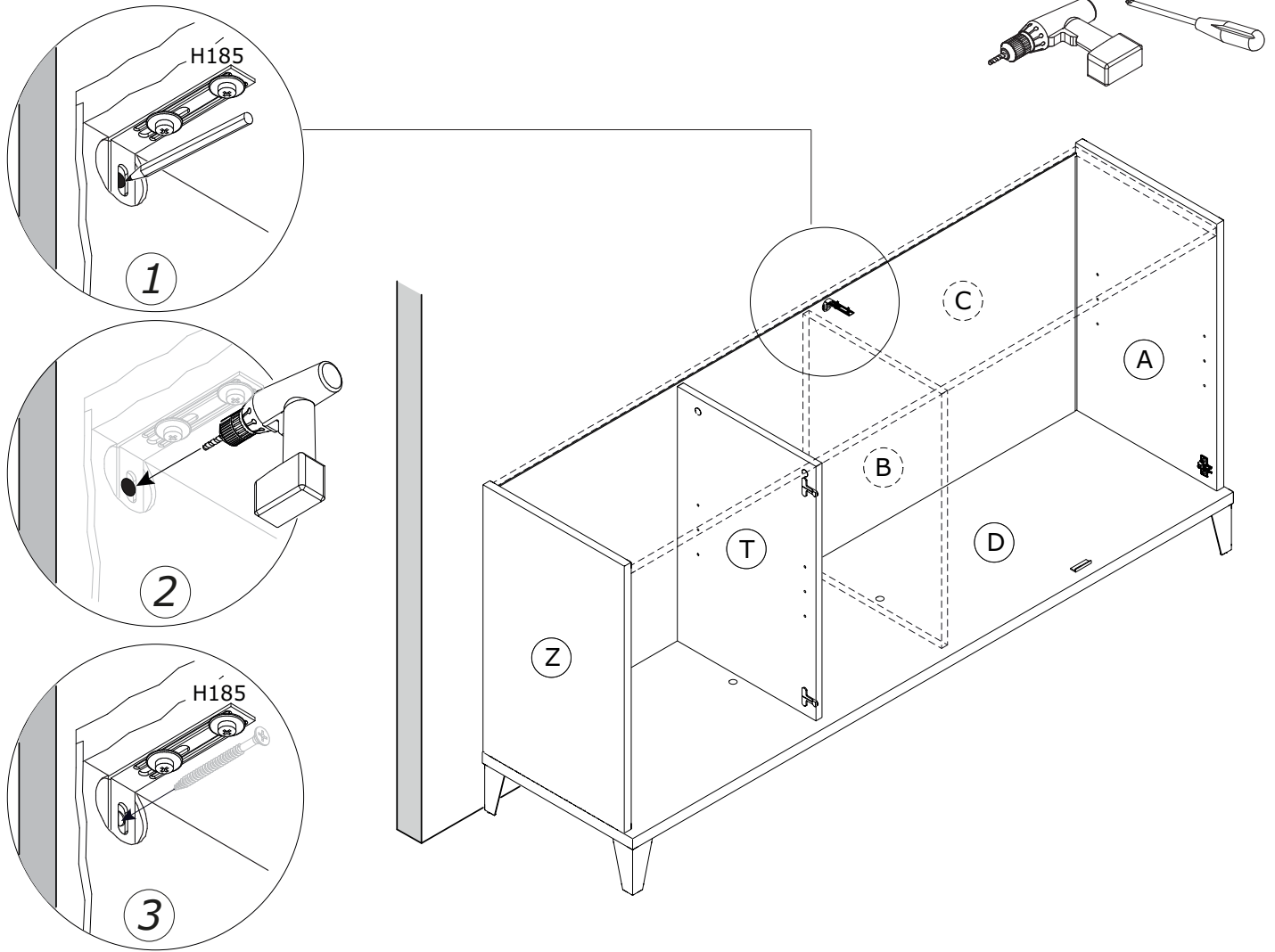
19



20



21



22

